

US00D971068S

(12) **United States Design Patent**
Turner

(10) **Patent No.:** **US D971,068 S**

(45) **Date of Patent:** **** Nov. 29, 2022**

(54) **WATCHBAND BOTTLE OPENER APPARATUS**

D622,178 S * 8/2010 Kelleghan D11/201
8,205,527 B2 6/2012 Chenelia
D714,185 S * 9/2014 Kelleghan D11/218
D805,428 S * 12/2017 Fulop D11/218

(71) Applicant: **Casey Turner**, San Diego, CA (US)

(72) Inventor: **Casey Turner**, San Diego, CA (US)

(**) Term: **15 Years**

(21) Appl. No.: **29/702,205**

(22) Filed: **Aug. 16, 2019**

(51) **LOC (13) Cl.** **11-01**

(52) **U.S. Cl.**
USPC **D11/94**

(58) **Field of Classification Search**
USPC D11/3, 5, 11, 12, 13, 19, 20, 86-88, 94,
D11/201, 218; D10/30, 32, 38
CPC A44C 5/00; A44C 5/12; A44C 5/14; A44C
5/18; B04B 37/00; B04B 37/008; B04B
37/04; B04B 37/18; G04B 19/00
See application file for complete search history.

(56) **References Cited**

U.S. PATENT DOCUMENTS

D470,794 S * 2/2003 Eddy D11/201
D474,713 S * 5/2003 Eddy D11/201

* cited by examiner

Primary Examiner — **Zenia I Bennett**

(74) *Attorney, Agent, or Firm* — **Buche & Associates, P.C.; John K. Buche; Bryce A. Johnson**

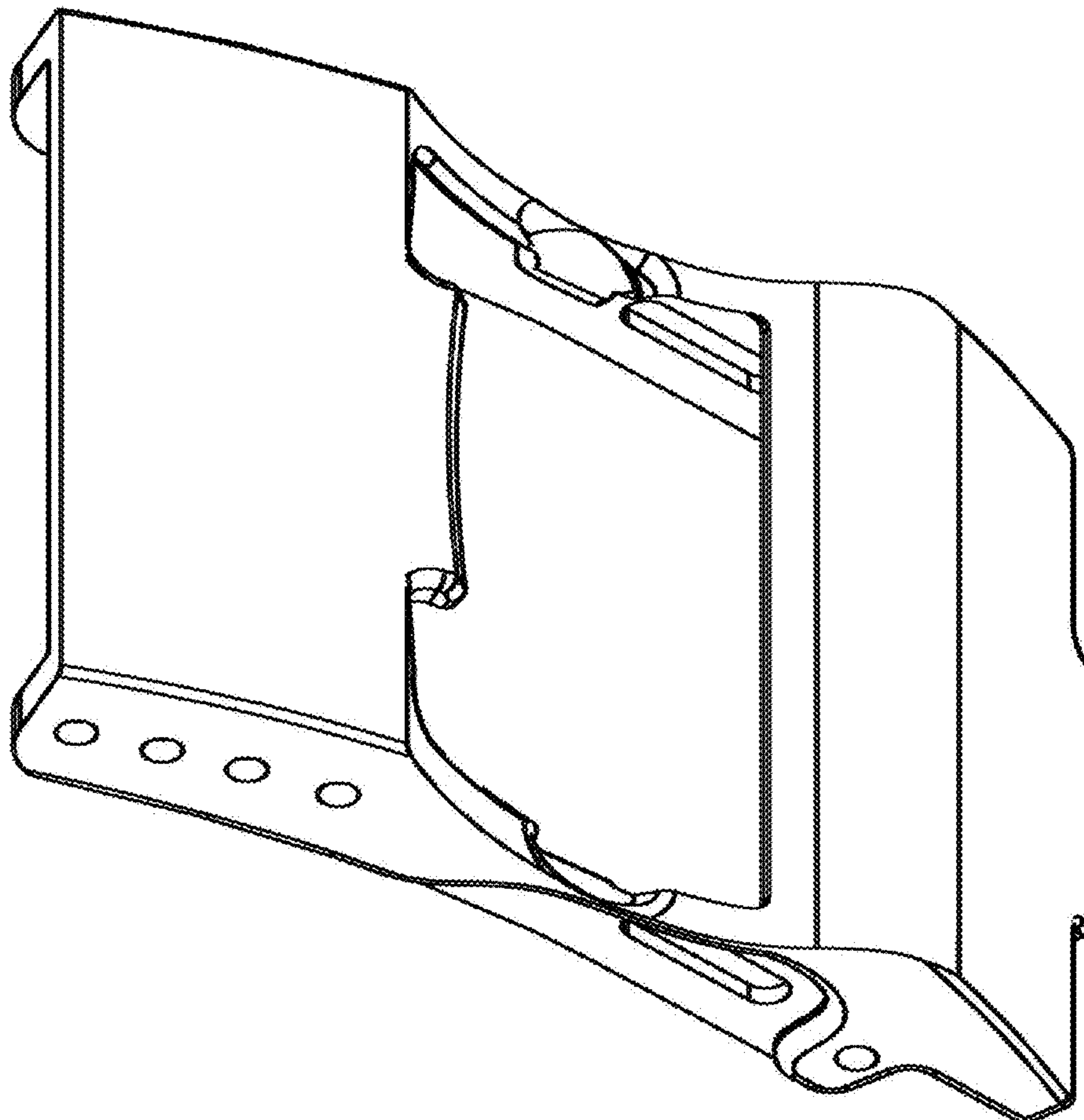
(57) **CLAIM**

I claim the ornamental design for a watchband bottle opener apparatus, as shown and described.

DESCRIPTION

FIG. 1 is a front perspective view of a watchband bottle opener apparatus;
FIG. 2 is a top elevation view thereof;
FIG. 3 is a side perspective view thereof;
FIG. 4 is an end plan view thereof;
FIG. 5 is a side plan view thereof;
FIG. 6 is a bottom front perspective view thereof;
FIG. 7 is a bottom plan view thereof; and,
FIG. 8 is a bottom rear perspective view thereof.
Broken lines illustrate environmental features and form no part of the claimed design.

1 Claim, 8 Drawing Sheets



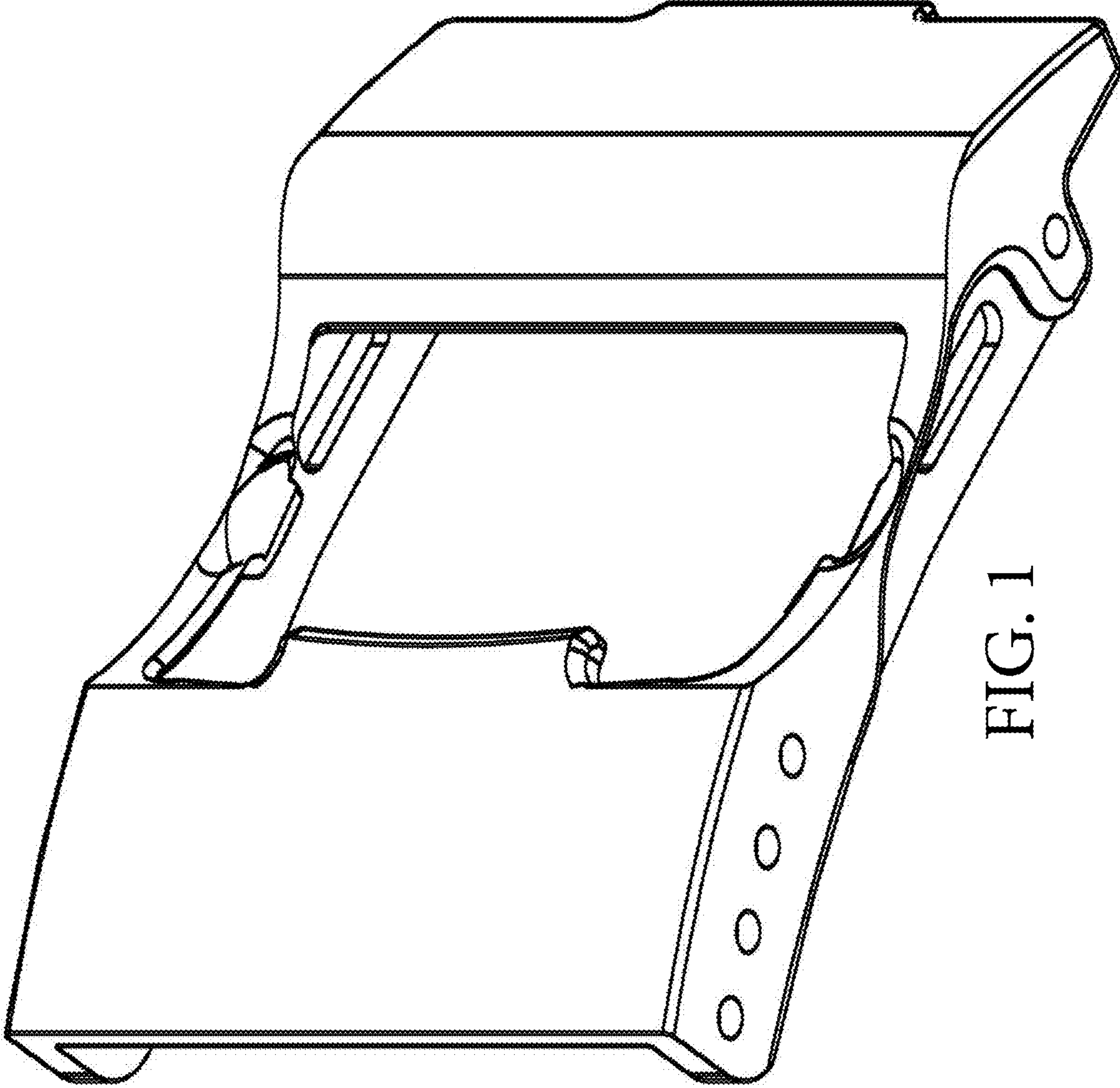


FIG. 1

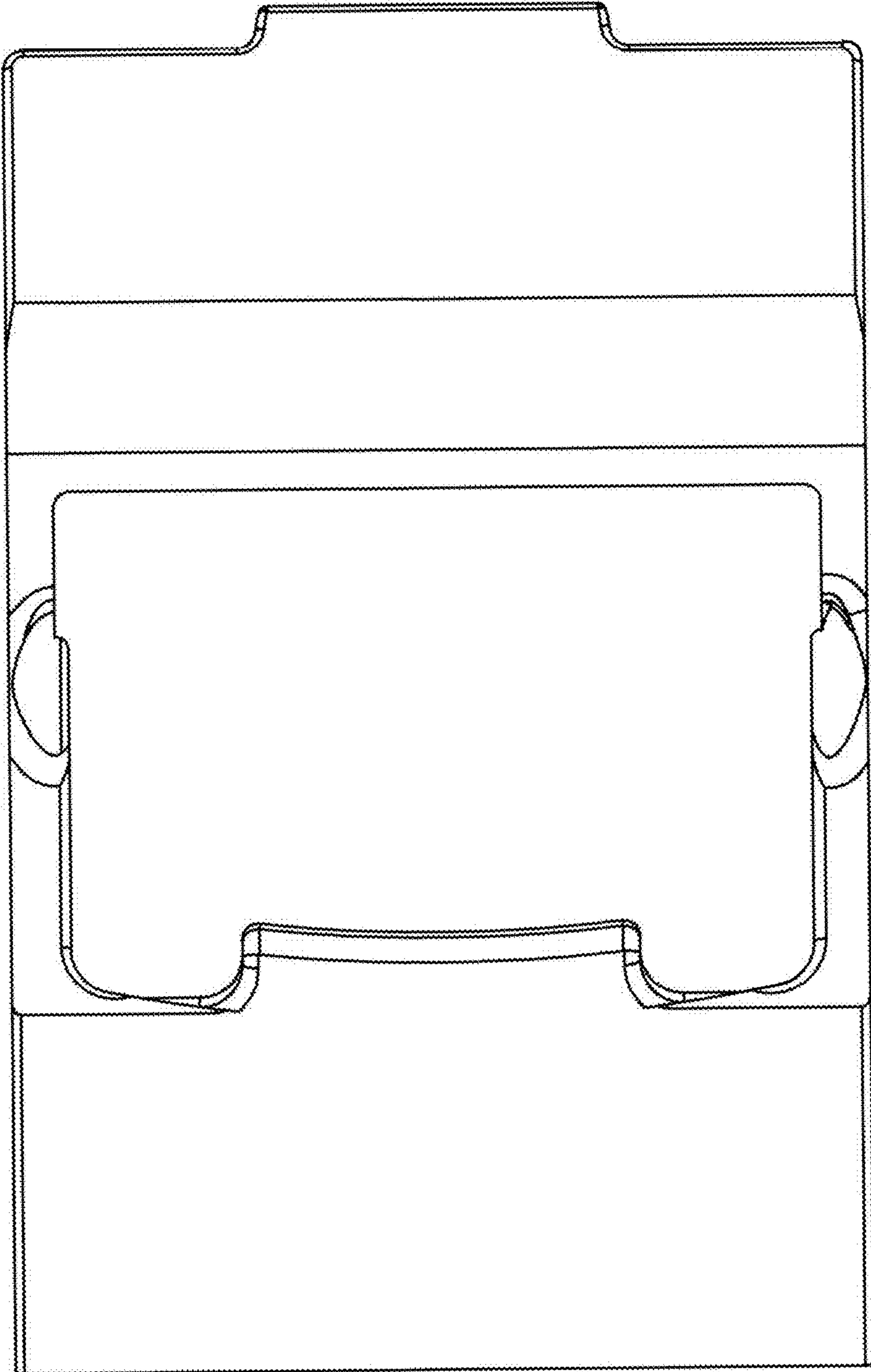


FIG. 2

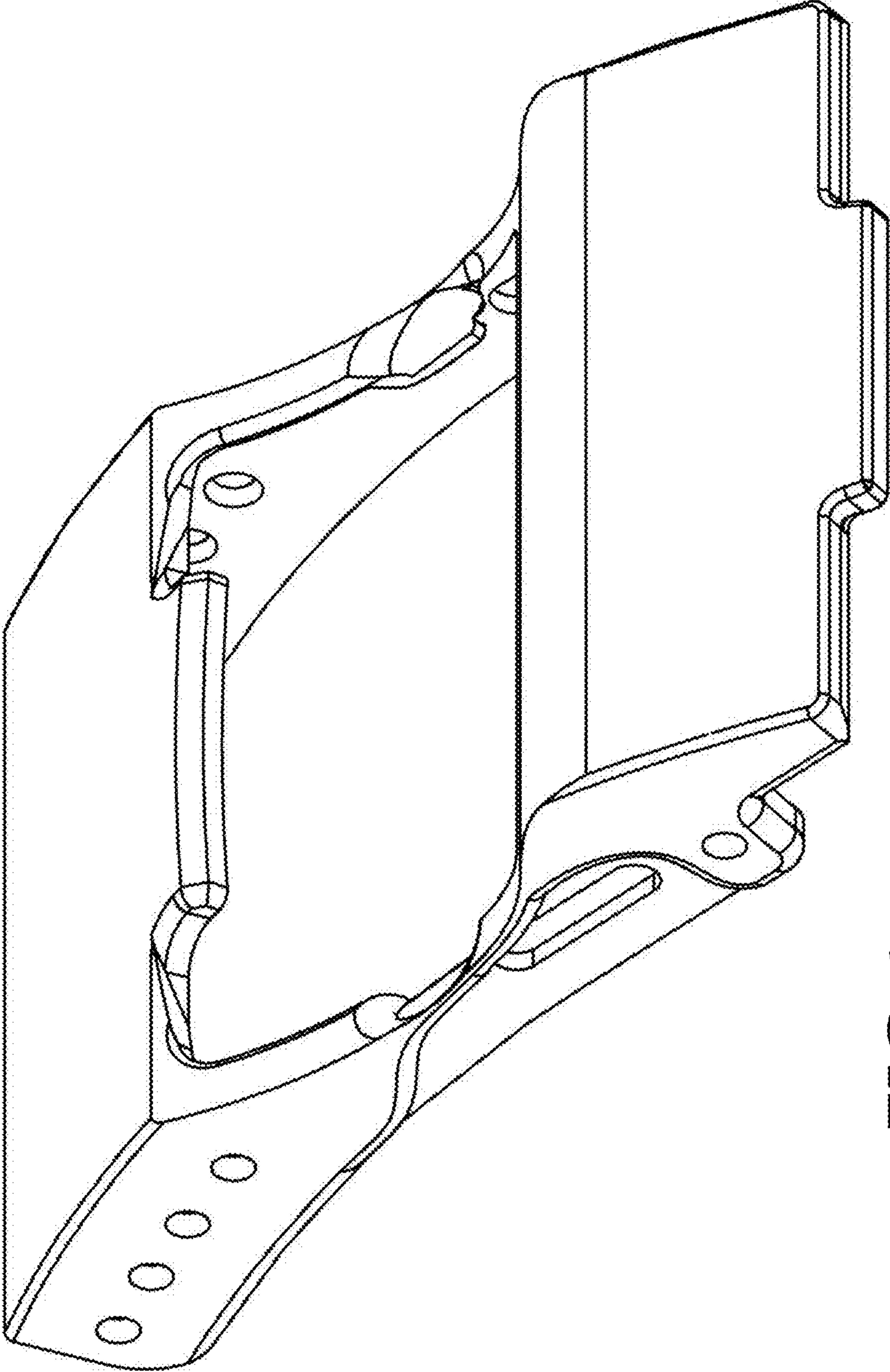


FIG. 3

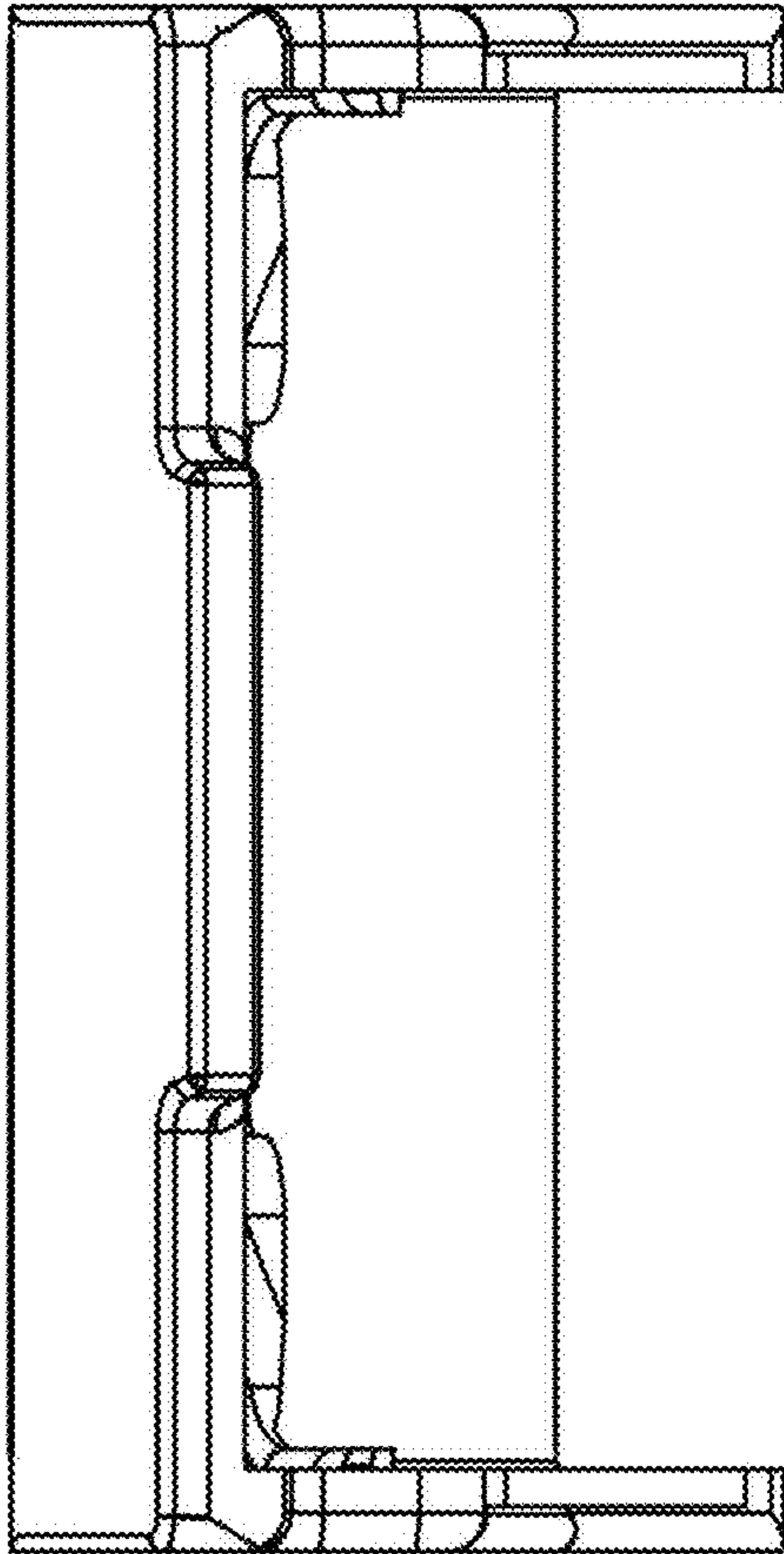


FIG. 4

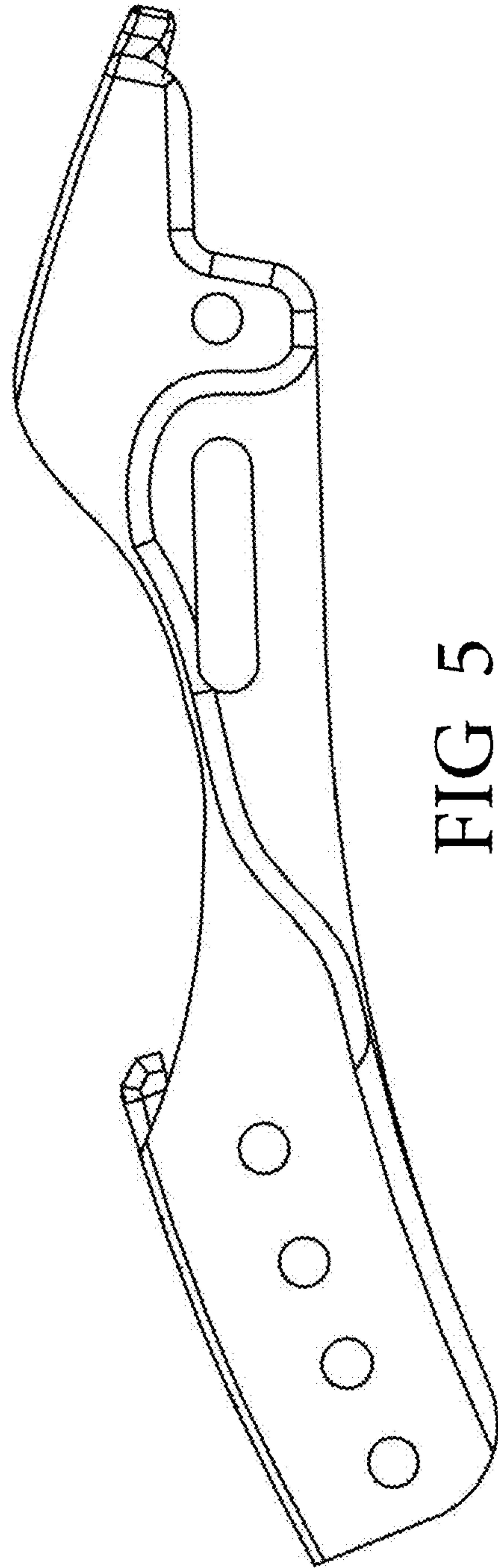


FIG 5

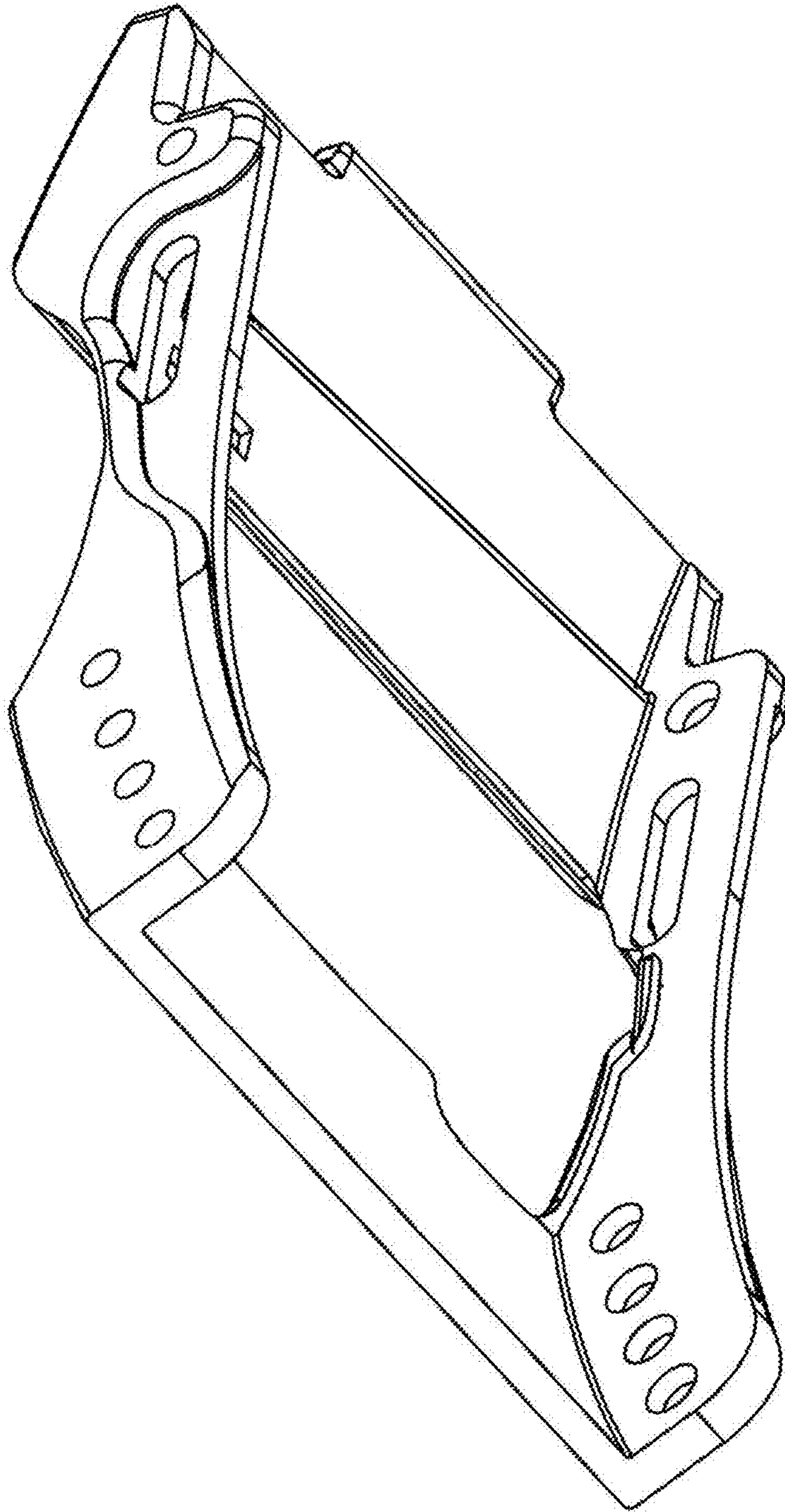


FIG. 6

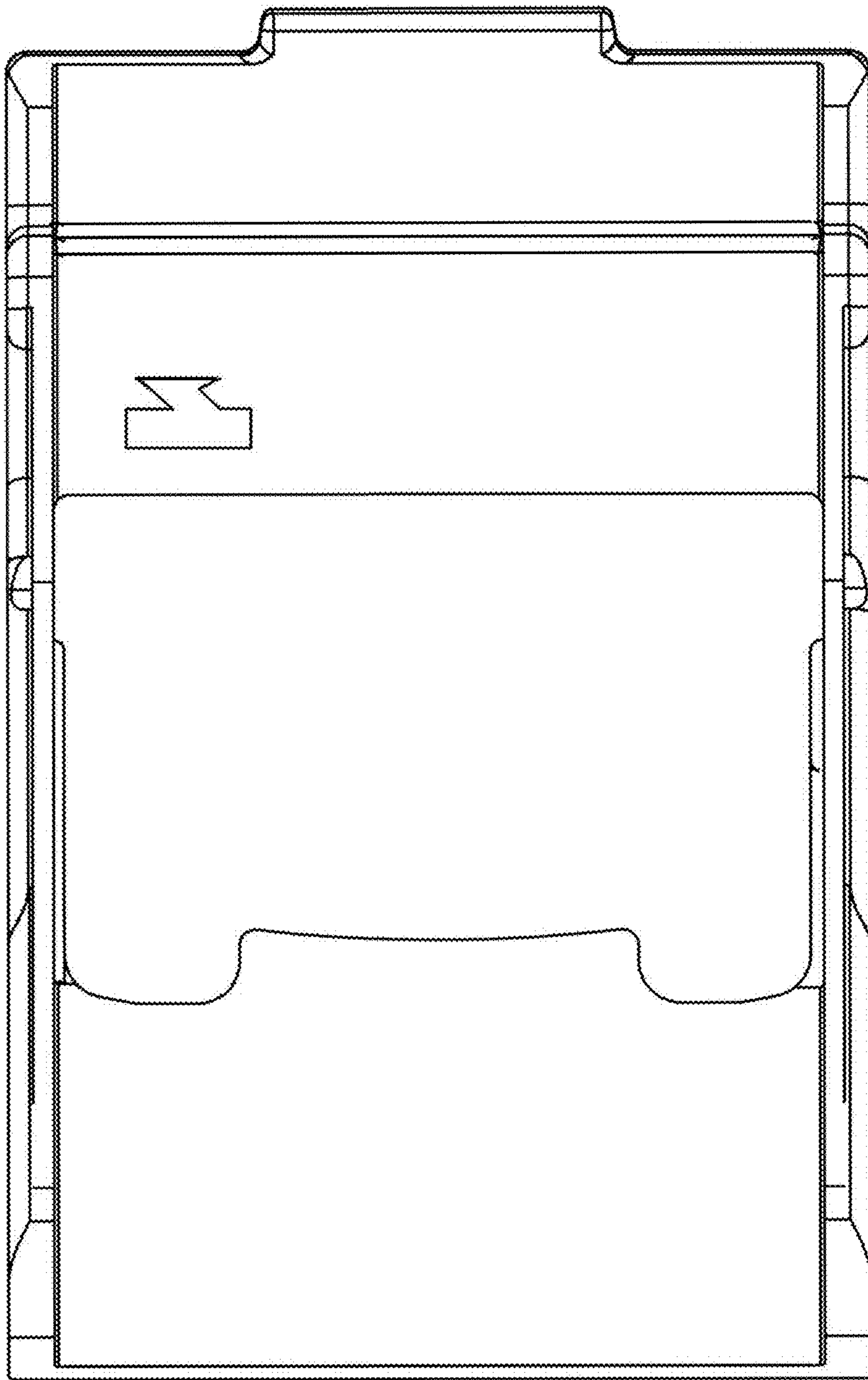


FIG. 7

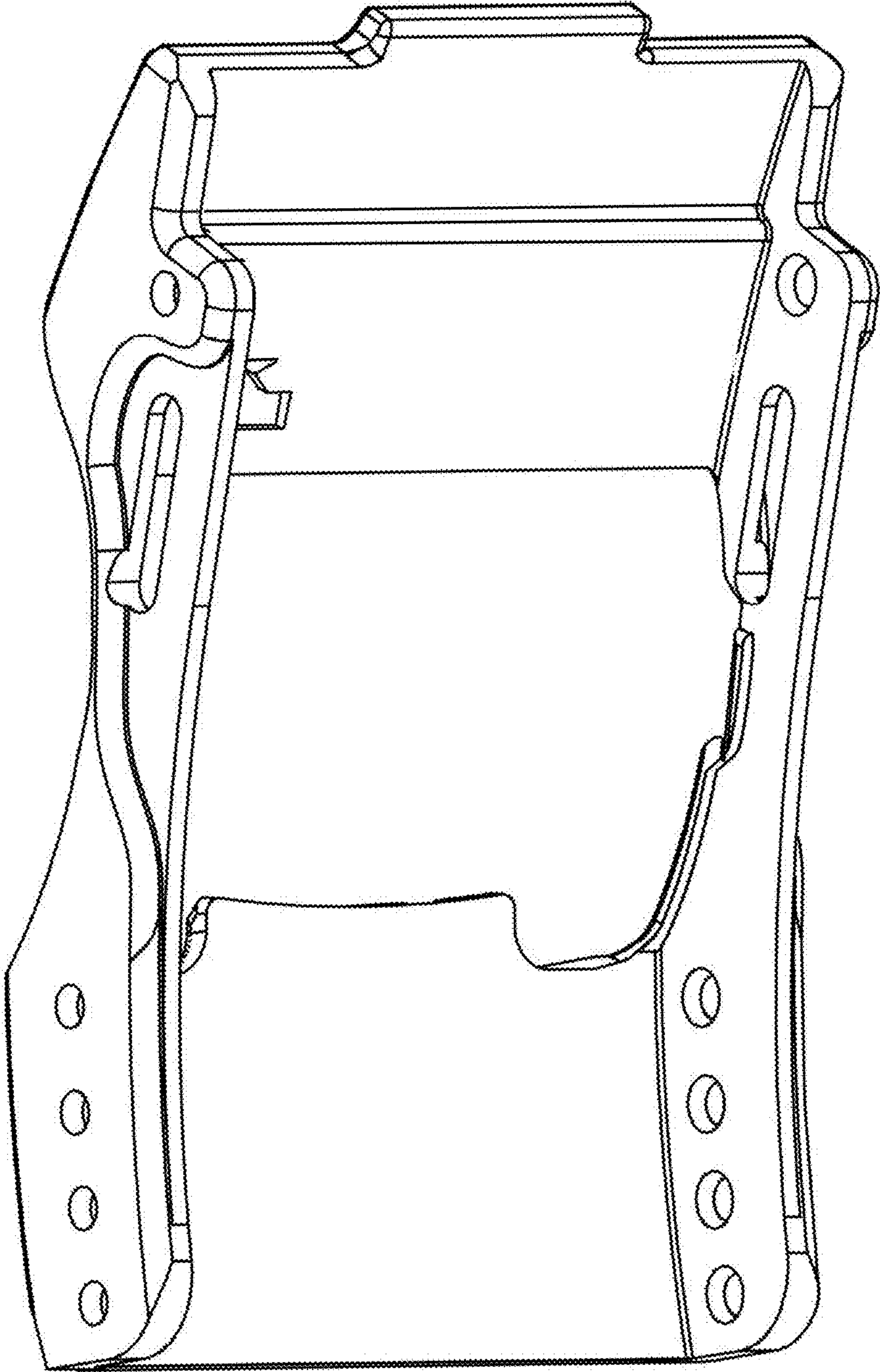


FIG. 8