



US00D971066S

(12) **United States Design Patent** (10) **Patent No.:** **US D971,066 S**
Hu (45) **Date of Patent:** **** Nov. 29, 2022**

(54) **PENDANT**

FOREIGN PATENT DOCUMENTS

(71) Applicant: **Xiaojing Hu**, Wuhan (CN)

CN 307149018 * 3/2022
CN 307277396 * 4/2022

(72) Inventor: **Xiaojing Hu**, Wuhan (CN)

OTHER PUBLICATIONS

(**) Term: **15 Years**

(21) Appl. No.: **29/764,969**

Pearl Heart Necklace for Women, available Feb. 11, 2022, online, site visited May 2, 2022. Available online, URL: <https://www.amazon.com/Necklace-Freshwater-Sterling-Zirconia-Pendant/dp/B09S9YC9VG/> (Year: 2022).*

(22) Filed: **Jan. 5, 2021**

Bostanten Rose Gold Plated Pendant Necklace with Birthstone Love Heart, available Nov. 17, 2021, online, site visited May 2, 2022. Available online, URL: <https://www.amazon.com/BOSTANTEN-Necklaces-February-Birthstone-Gold-Tone/dp/B09M3KY76N/> (Year: 2021).*

(51) **LOC (13) Cl.** **11-01**

(52) **U.S. Cl.**
USPC **D11/81**

(58) **Field of Classification Search**

USPC D11/7, 8, 14, 16, 43-45, 79-85

CPC .. A44C 1/00; A44C 3/00; A44C 3/004; A44C

3/008; A44C 25/00; A44C 25/001; A44C

25/002; A44C 25/007; A44C 25/008

See application file for complete search history.

<https://www.amazon.com/dp/B08G88HLKC/>; May 14, 2020.
<https://www.amazon.com/dp/B089VZGP3M/>; May 11, 2020.

* cited by examiner

(56) **References Cited**

Primary Examiner — W. A. Teddy Falloway

Assistant Examiner — Sarah J Ault

(74) *Attorney, Agent, or Firm* — Rumit Ranjit Kanakia

U.S. PATENT DOCUMENTS

(57) **CLAIM**

I claim the ornamental design for a pendant, as shown and described.

D547,229 S * 7/2007 Sandberg D11/81

D604,660 S * 11/2009 Marks D11/56

D626,448 S * 11/2010 Marks D11/60

D628,116 S * 11/2010 Marks D11/79

D635,049 S * 3/2011 Marks D11/79

D657,282 S * 4/2012 dos Santos Villar Filho
D11/56

D688,152 S * 8/2013 Kala D11/79

D696,152 S * 12/2013 Kala D11/79

D732,996 S * 6/2015 Samanta D11/56

D766,125 S * 9/2016 Behney D11/56

D767,438 S * 9/2016 Behney D11/56

D871,254 S * 12/2019 Ellingson D11/200

D903,523 S * 12/2020 Li D11/56

D908,526 S * 1/2021 Molfese D11/83

D920,833 S * 6/2021 De Luca D11/79

D939,378 S * 12/2021 Huang D11/56

D943,454 S * 2/2022 Hu D11/56

DESCRIPTION

FIG. 1 is a perspective view of a pendant showing my new design;

FIG. 2 is a front view thereof;

FIG. 3 is a back view thereof;

FIG. 4 is a left-side view thereof;

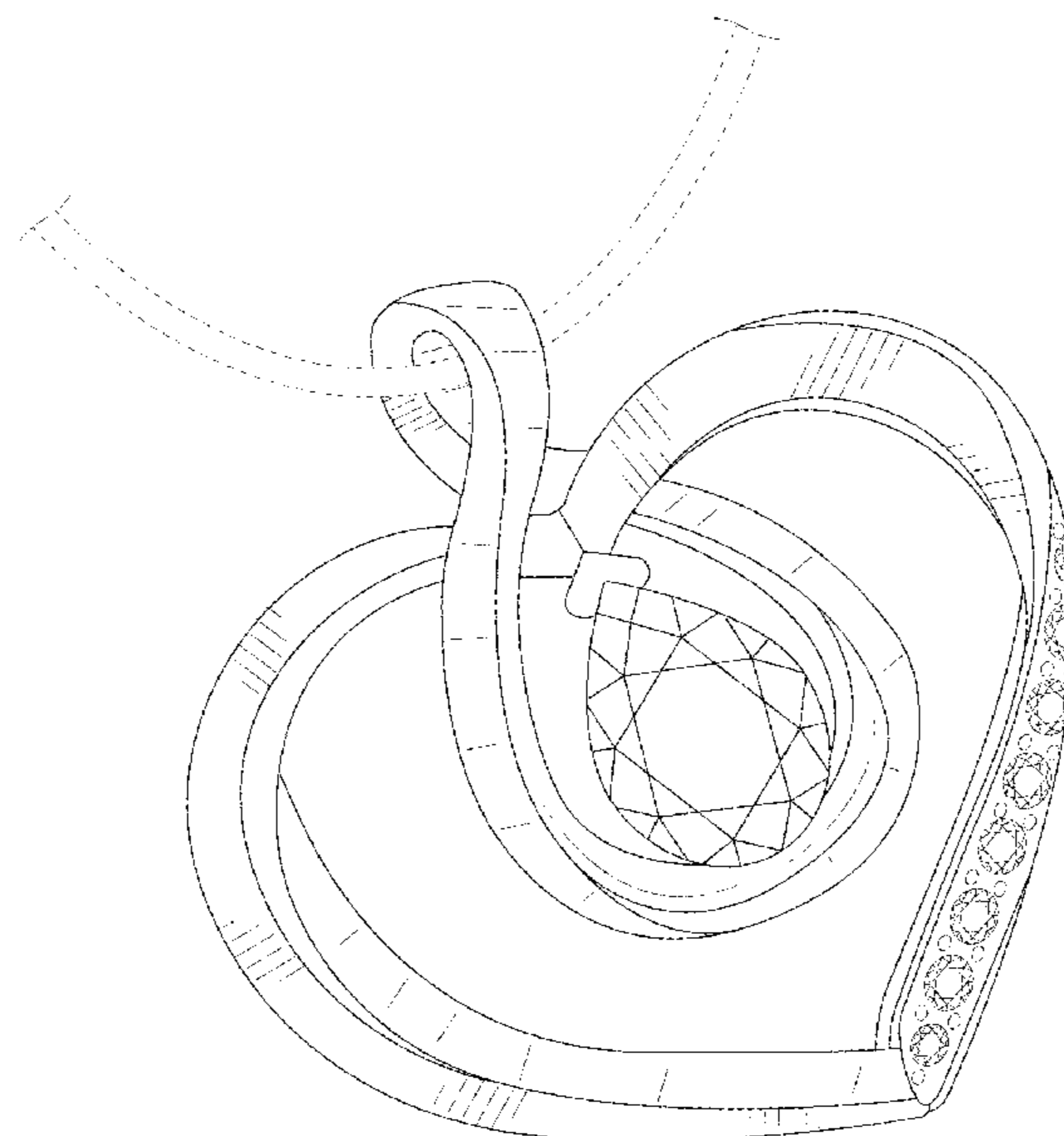
FIG. 5 is a right-side view thereof;

FIG. 6 is a top view thereof; and,

FIG. 7 is a bottom view thereof.

The broken lines in the drawings depict environmental structure that forms no part of the claimed design.

1 Claim, 7 Drawing Sheets



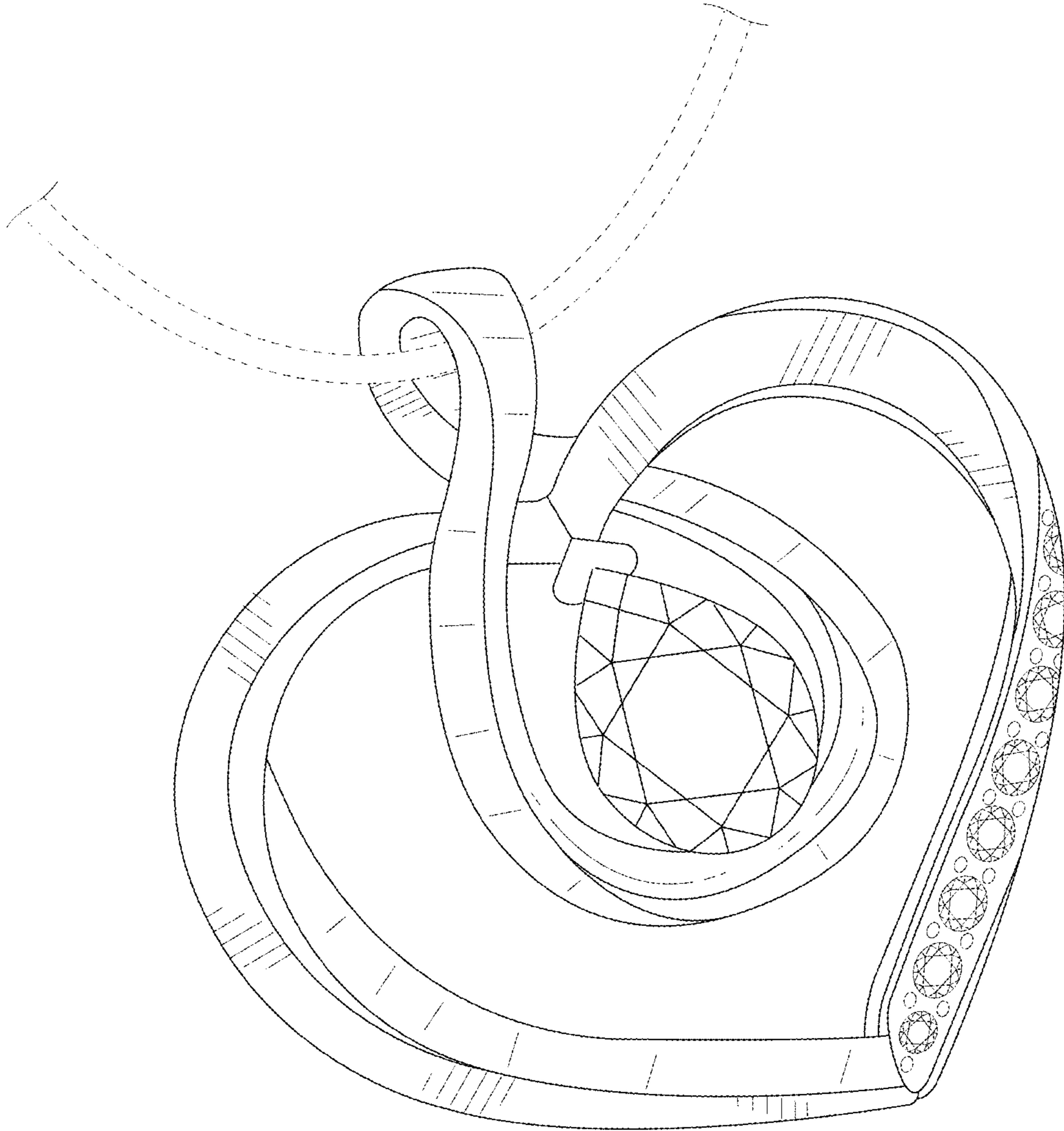


FIG. 1

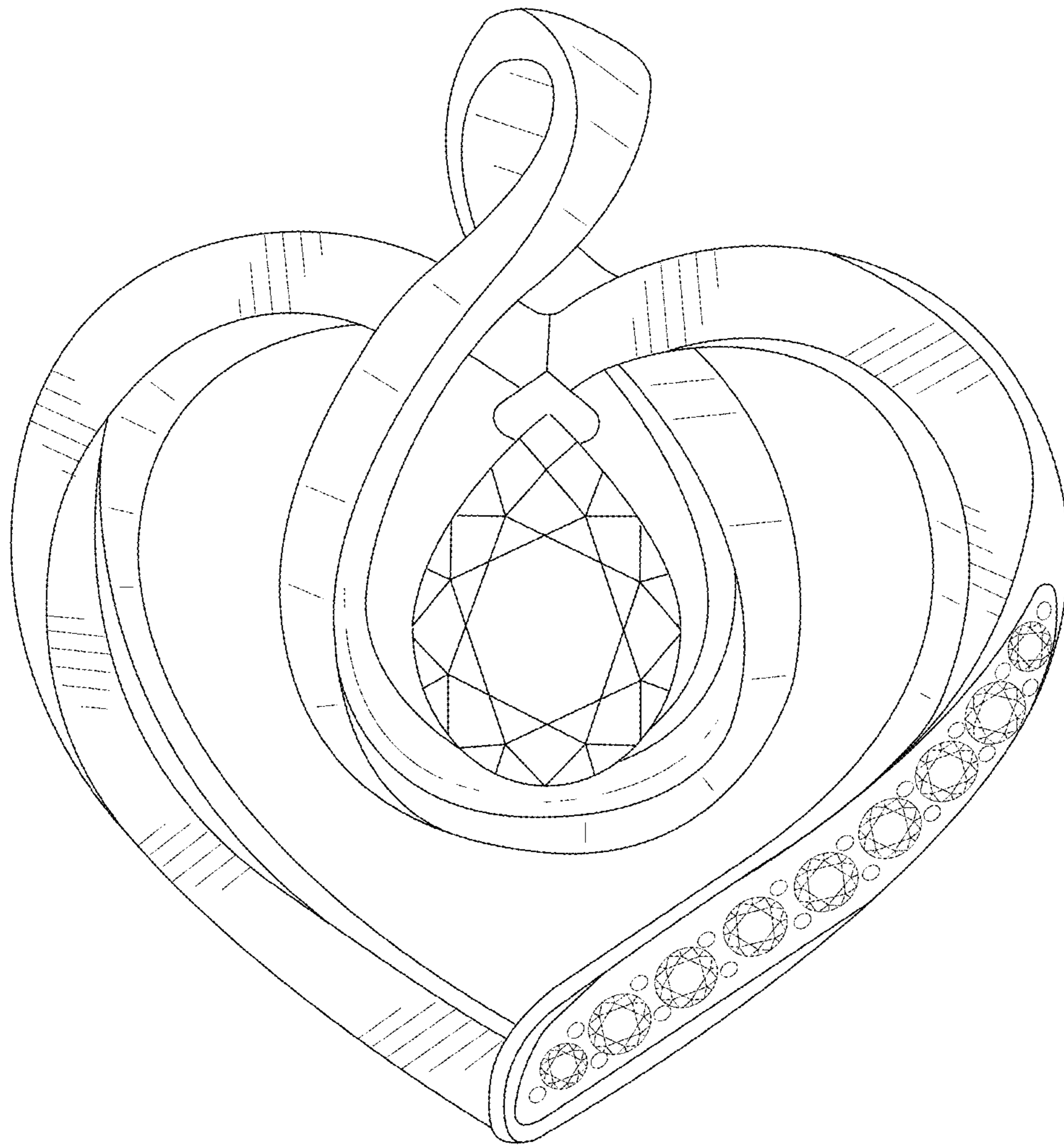


FIG. 2

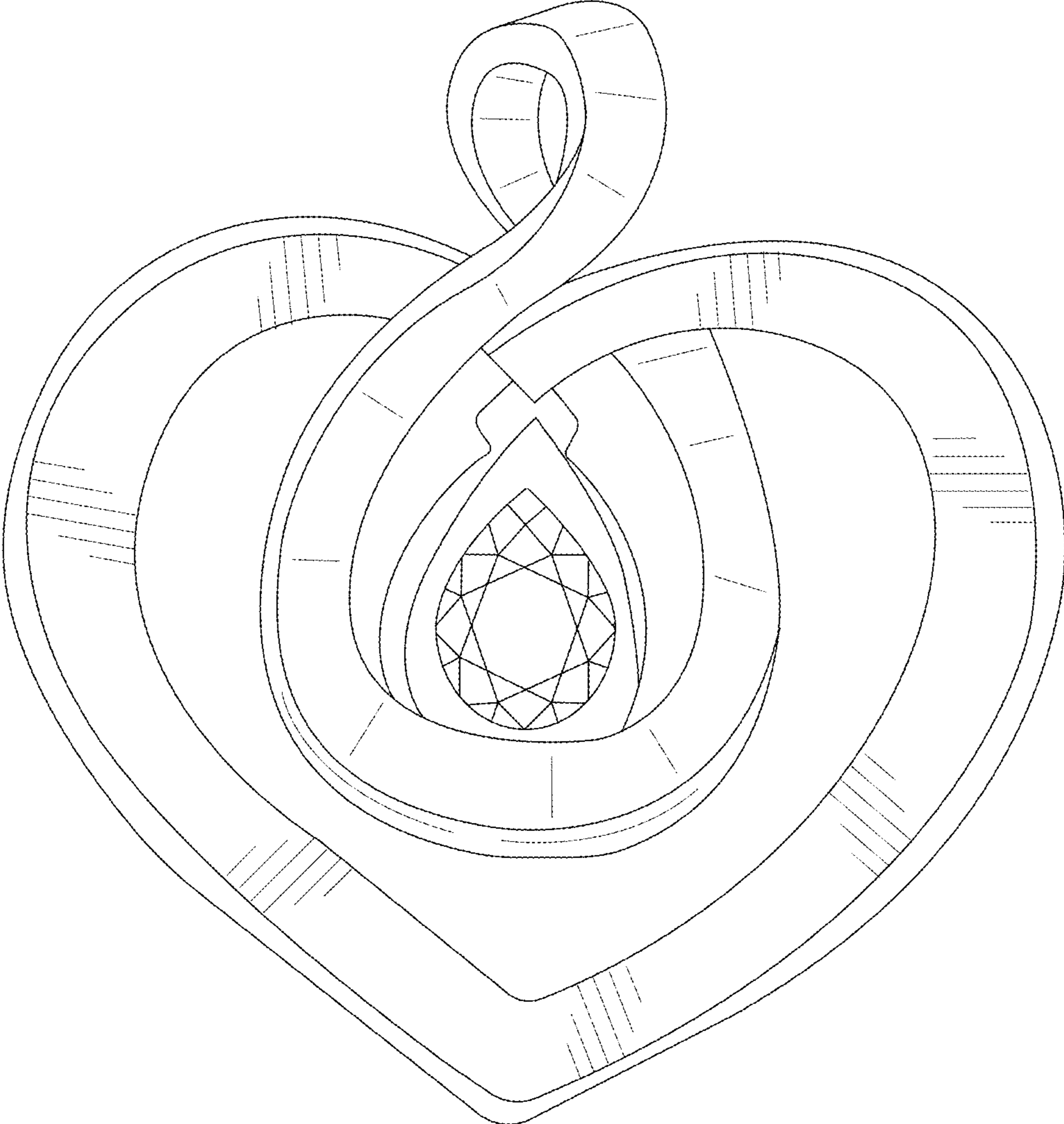


FIG. 3

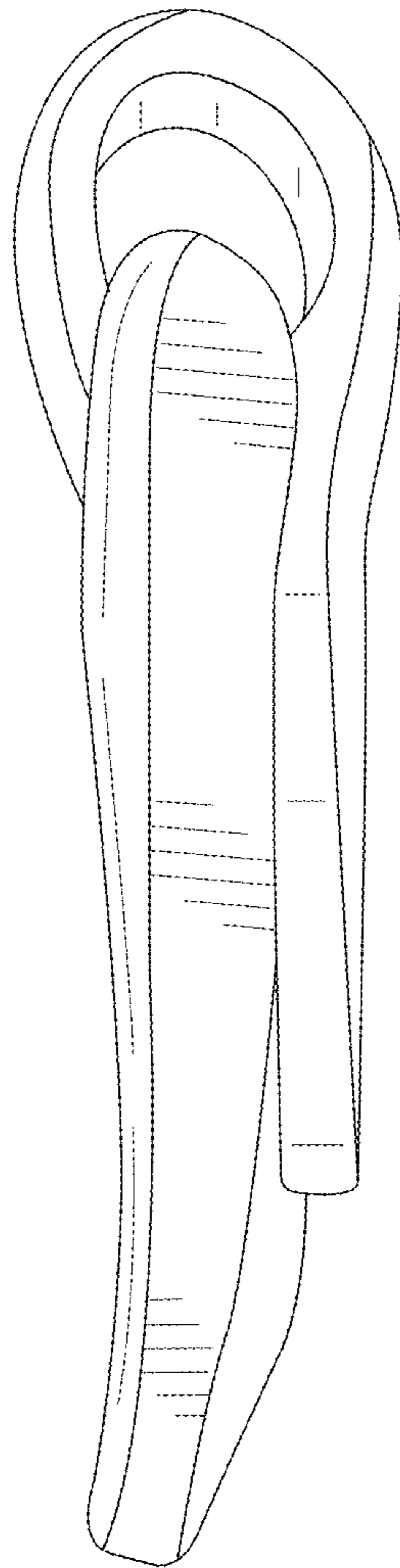


FIG. 4

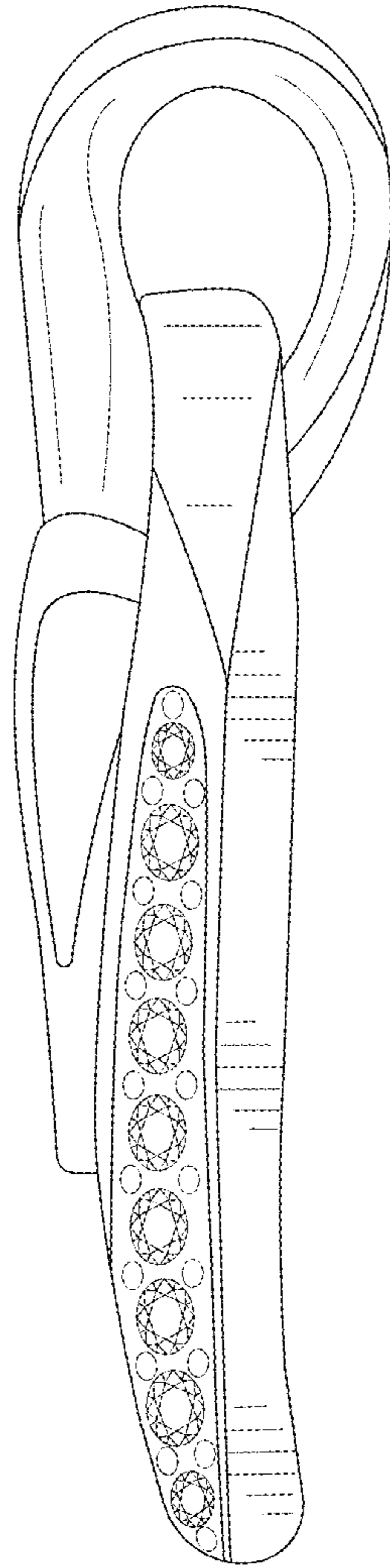


FIG. 5

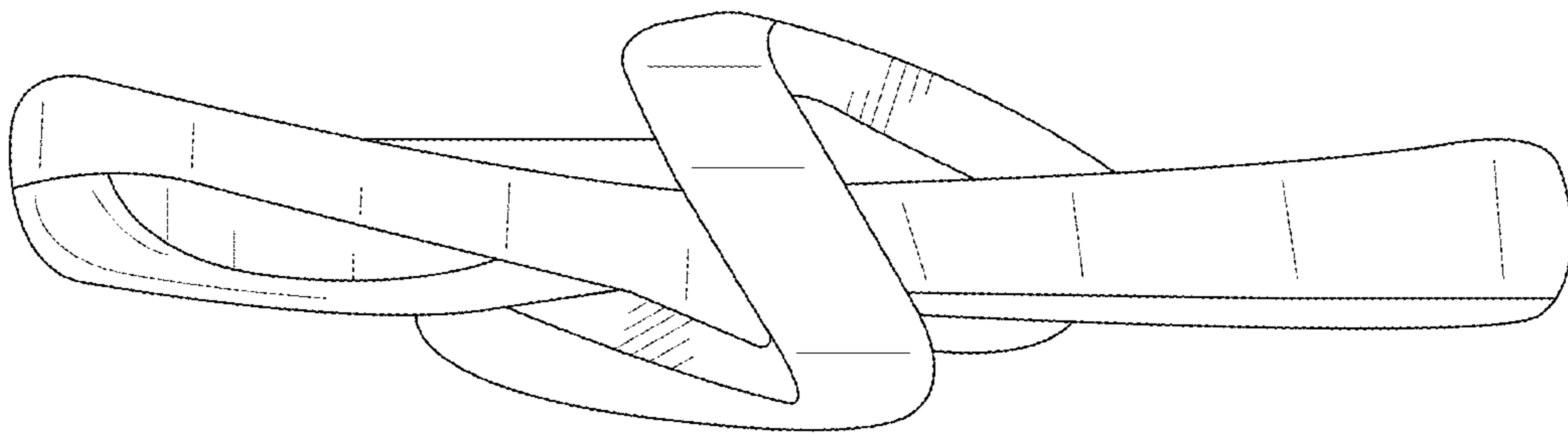


FIG. 6

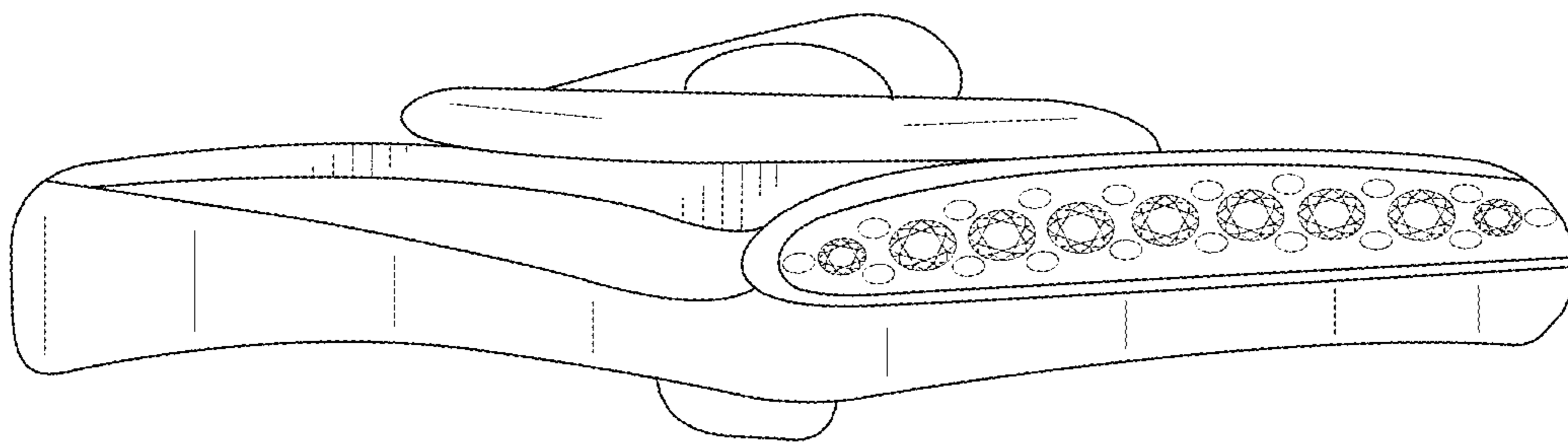


FIG. 7