



US00D971063S

(12) **United States Design Patent** (10) **Patent No.:** **US D971,063 S**
Yatsugi-Kang (45) **Date of Patent:** **** Nov. 29, 2022**

(54) **PAIR OF EARRINGS**

(71) Applicant: **Harry Winston SA**, Plan-les-Ouates (CH)

(72) Inventor: **Rie Yatsugi-Kang**, New York, NY (US)

(73) Assignee: **Harry Winston SA**, Plan-les-Ouates (CH)

(**) Term: **15 Years**

(21) Appl. No.: **29/795,976**

(22) Filed: **Jun. 22, 2021**

(30) **Foreign Application Priority Data**

Dec. 28, 2020 (WO) WIPO100582

(51) **LOC (13) Cl.** **11-01**

(52) **U.S. Cl.**
USPC **D11/40**

(58) **Field of Classification Search**
USPC D11/40-45, 63, 67-69, 75-76, 34, 89
CPC A44C 7/00; A44C 7/001; A44C 7/002;
A44C 7/003; A44C 7/004; A44C 7/005;
A44C 7/006; A44C 7/007; A44C 7/008;
A44C 7/009; A44C 1/00; A44C 17/00;
A44C 17/001; A44C 17/005; A44C
17/007; A44C 17/02; A44C 17/0208

See application file for complete search history.

(56) **References Cited**

U.S. PATENT DOCUMENTS

D165,542 S * 12/1951 Philippe D11/78
D166,224 S * 3/1952 Philippe D11/77
D166,319 S * 4/1952 Katz D11/41
D171,791 S * 3/1954 Katz D11/40
D729,107 S * 5/2015 Riviere D11/42
D751,451 S * 3/2016 Kwon D11/42
D758,910 S * 6/2016 Riviere D11/34

D780,618 S * 3/2017 Galli D11/34
D780,619 S * 3/2017 Riviere D11/43
D783,442 S * 4/2017 Yatsugi-Kang D11/40
D785,489 S * 5/2017 Riviere D11/34
D797,599 S * 9/2017 Yatsugi-Kang D11/40
D813,079 S * 3/2018 Galli D11/34
D820,145 S * 6/2018 Galli D11/40
D938,297 S * 12/2021 Abdourahim D11/42

(Continued)

FOREIGN PATENT DOCUMENTS

WO D209111-005 * 1/2021

OTHER PUBLICATIONS

Galerie—Harry Winston’s Nature-Inspired High Jewelry Makes the Perfect Spring Statement, available Apr. 14, 2021, online, site visited Jul. 27, 2022. Available online, URL: <https://galeriemagazine.com/harry-winstons-nature-inspired-high-jewelry/> (Year: 2021).*

(Continued)

Primary Examiner — W. A. Teddy Falloway

Assistant Examiner — Sarah J Ault

(74) *Attorney, Agent, or Firm* — Blank Rome LLP

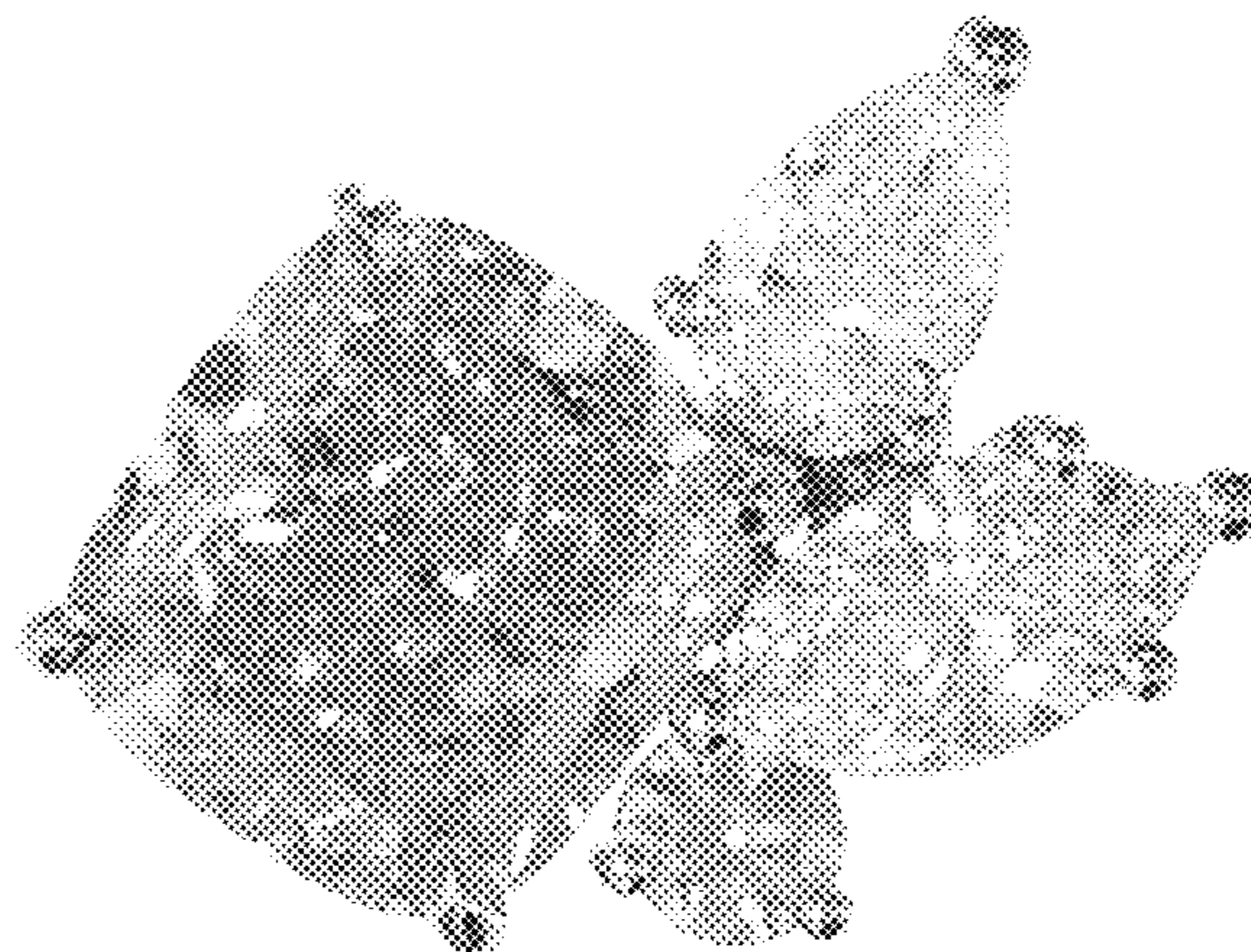
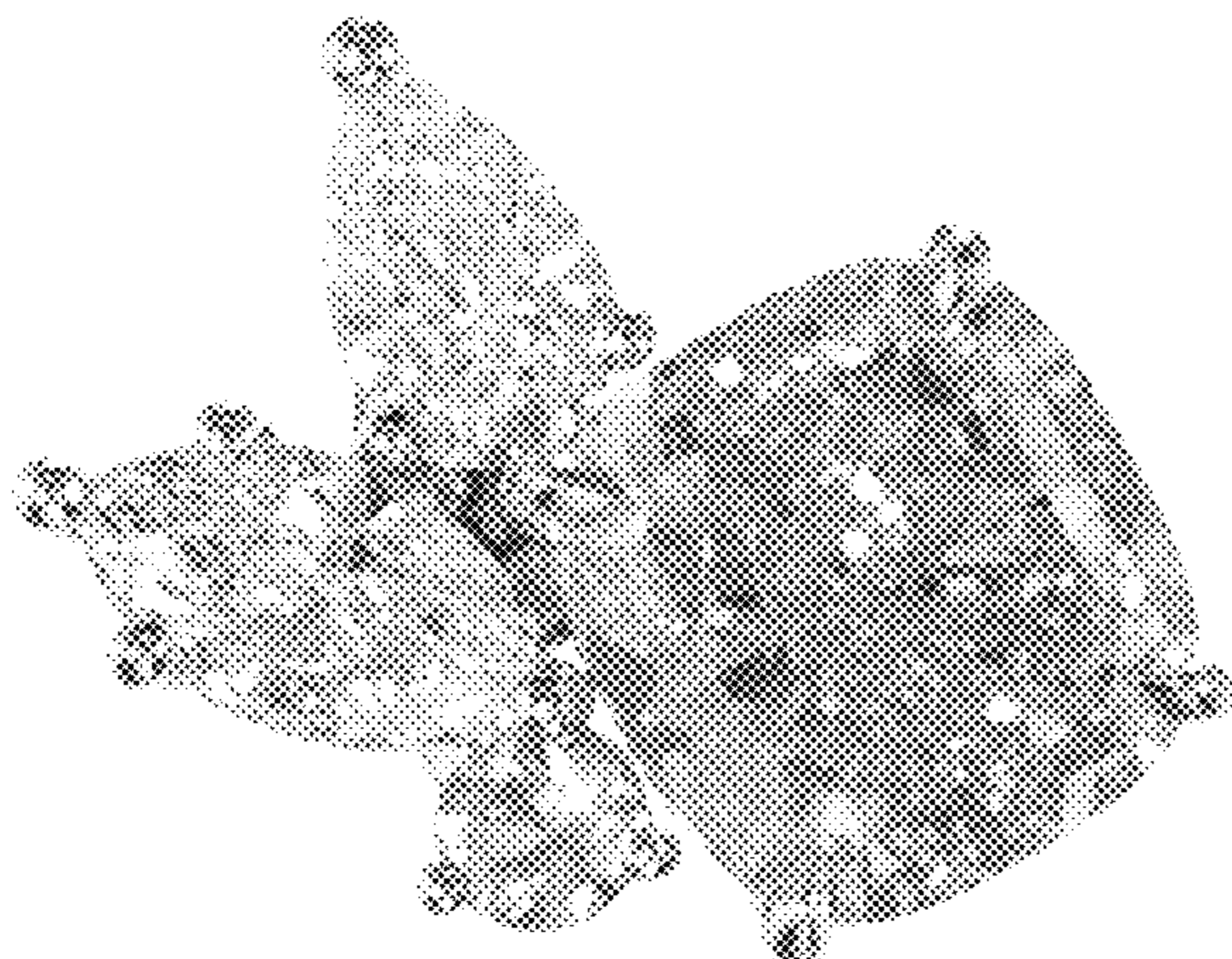
(57) **CLAIM**

The ornamental design for a pair of earrings, as shown and described.

DESCRIPTION

FIG. 1 is a front view of a pair of earrings of my new design; FIG. 2 is a rear perspective view thereof; FIG. 3 is a bottom rear perspective view thereof; FIG. 4 is a top rear perspective view thereof; FIG. 5 is a left rear perspective view thereof; FIG. 6 is a right rear perspective view thereof; FIG. 7 is a front right perspective view thereof; and, FIG. 8 is a rear left perspective view thereof.

1 Claim, 8 Drawing Sheets



(56)

References Cited

U.S. PATENT DOCUMENTS

D938,300	S	*	12/2021	Abdourahim	D11/43
D938,301	S	*	12/2021	Riviere	D11/43
D938,853	S	*	12/2021	Abdourahim	D11/42
D938,854	S	*	12/2021	Kwon	D11/42
D939,376	S	*	12/2021	Riviere	D11/42
D942,304	S	*	2/2022	Kwon	D11/42
D942,305	S	*	2/2022	Riviere	D11/42
D942,306	S	*	2/2022	Abdourahim	D11/42
D946,459	S	*	3/2022	Kwon	D11/34
D952,502	S	*	5/2022	Riviere	D11/34
D954,589	S	*	6/2022	Kwon	D11/34
D955,261	S	*	6/2022	Kwon	D11/42
D955,262	S	*	6/2022	Abdourahim	D11/42
D955,266	S	*	6/2022	Riviere	D11/42

OTHER PUBLICATIONS

Harry Winston Blue Sapphire and Diamond Cluster Ring, available 1985, online, site visited Jul. 27, 2022. Available online, URL: https://www.1stdibs.com/jewelry/earrings/stud-earrings/harry-winston-blue-sapphire-diamond-cluster-earring/id-j_14206772/ (Year: 1985).*

Harry Winston Important Fancy Yellow and White Diamond Floral Cluster Earclips, available 2022, online, site visited Jul. 27, 2022. Available online, URL: https://www.1stdibs.com/jewelry/earrings/clip-on-earrings/harry-winston-important-fancy-yellow-white-diamond-floral-cluster-earclips/id-j_157892/ (Year: 2022).*

* cited by examiner



FIG. 1

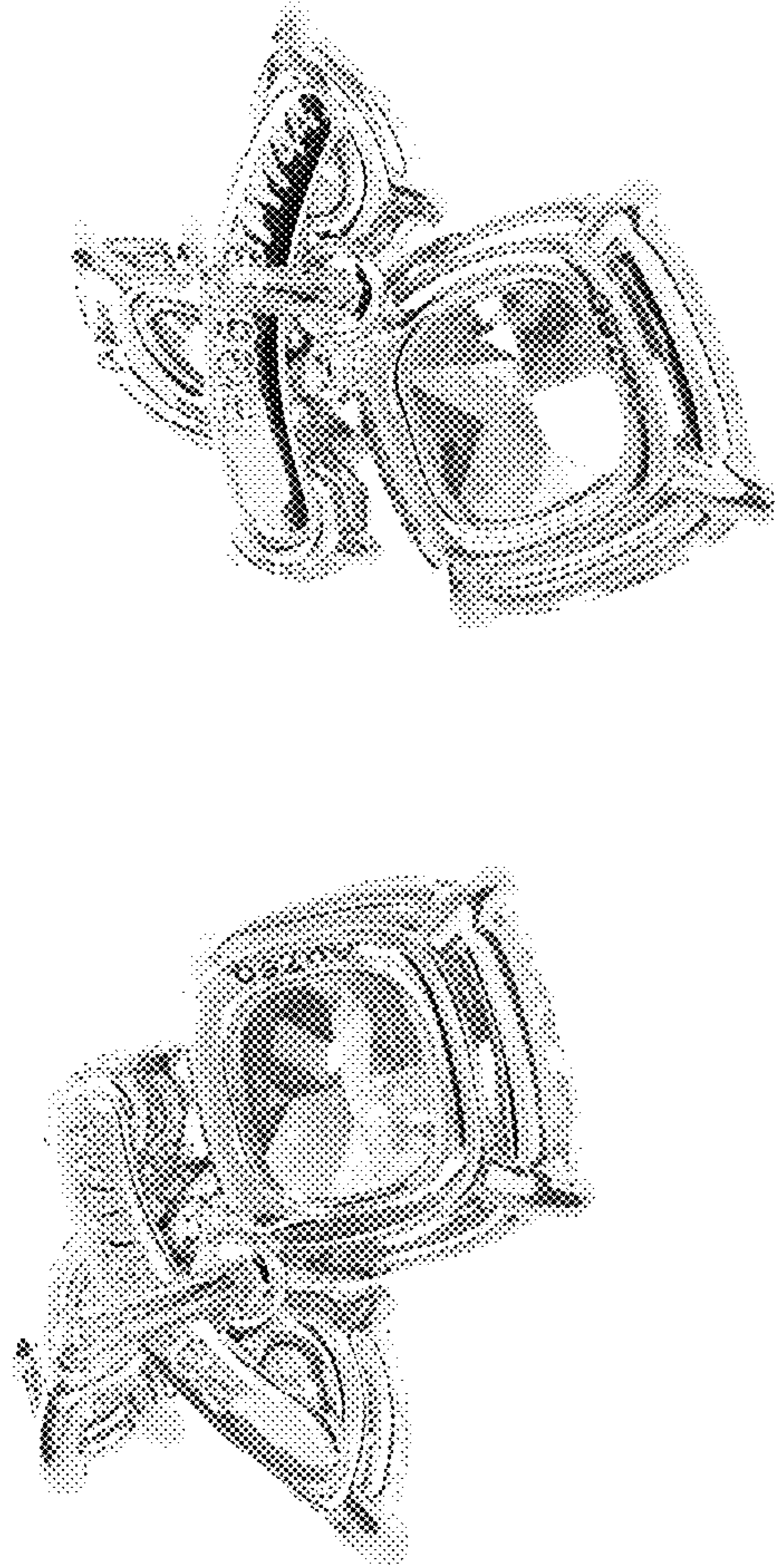


FIG. 2

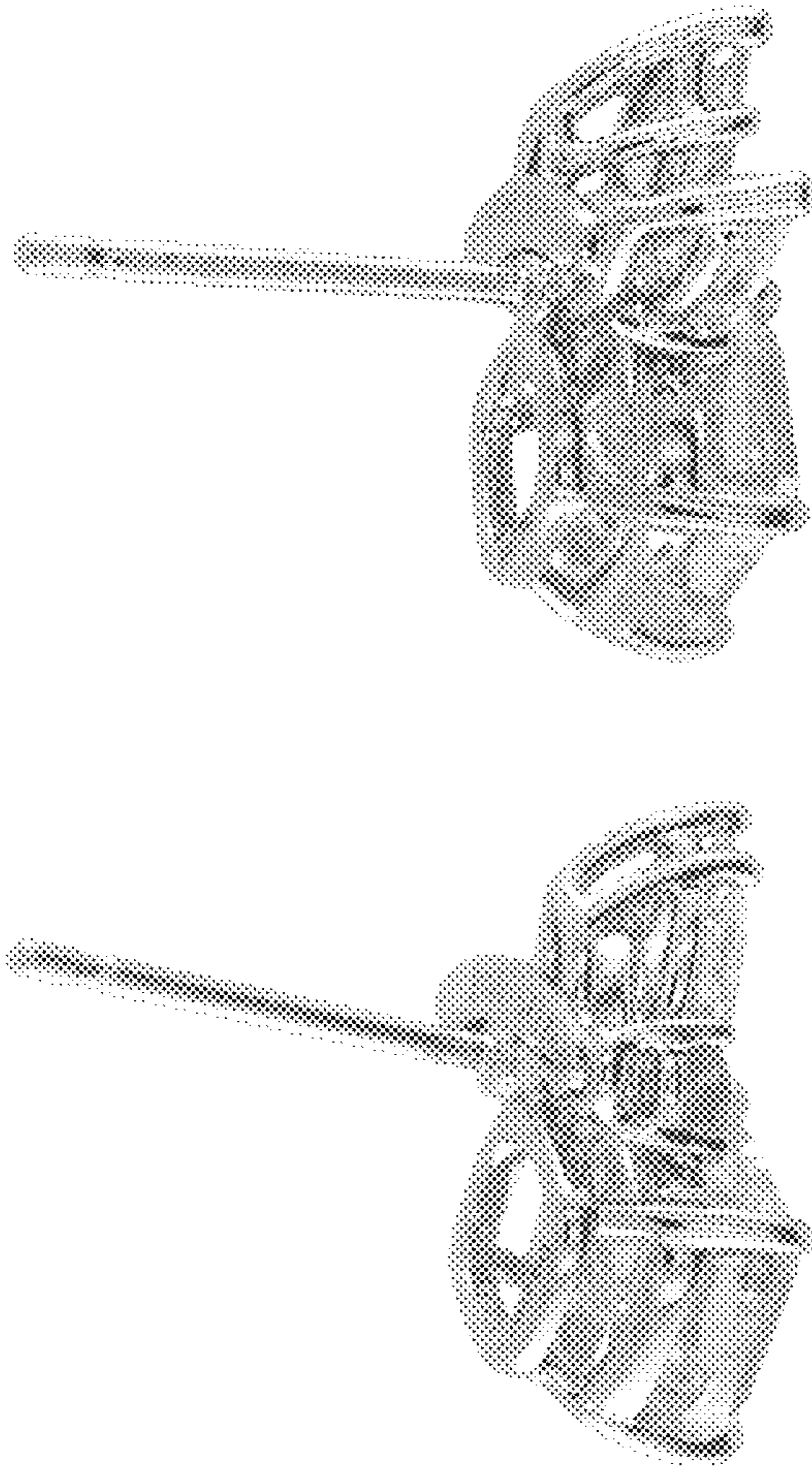


FIG. 3

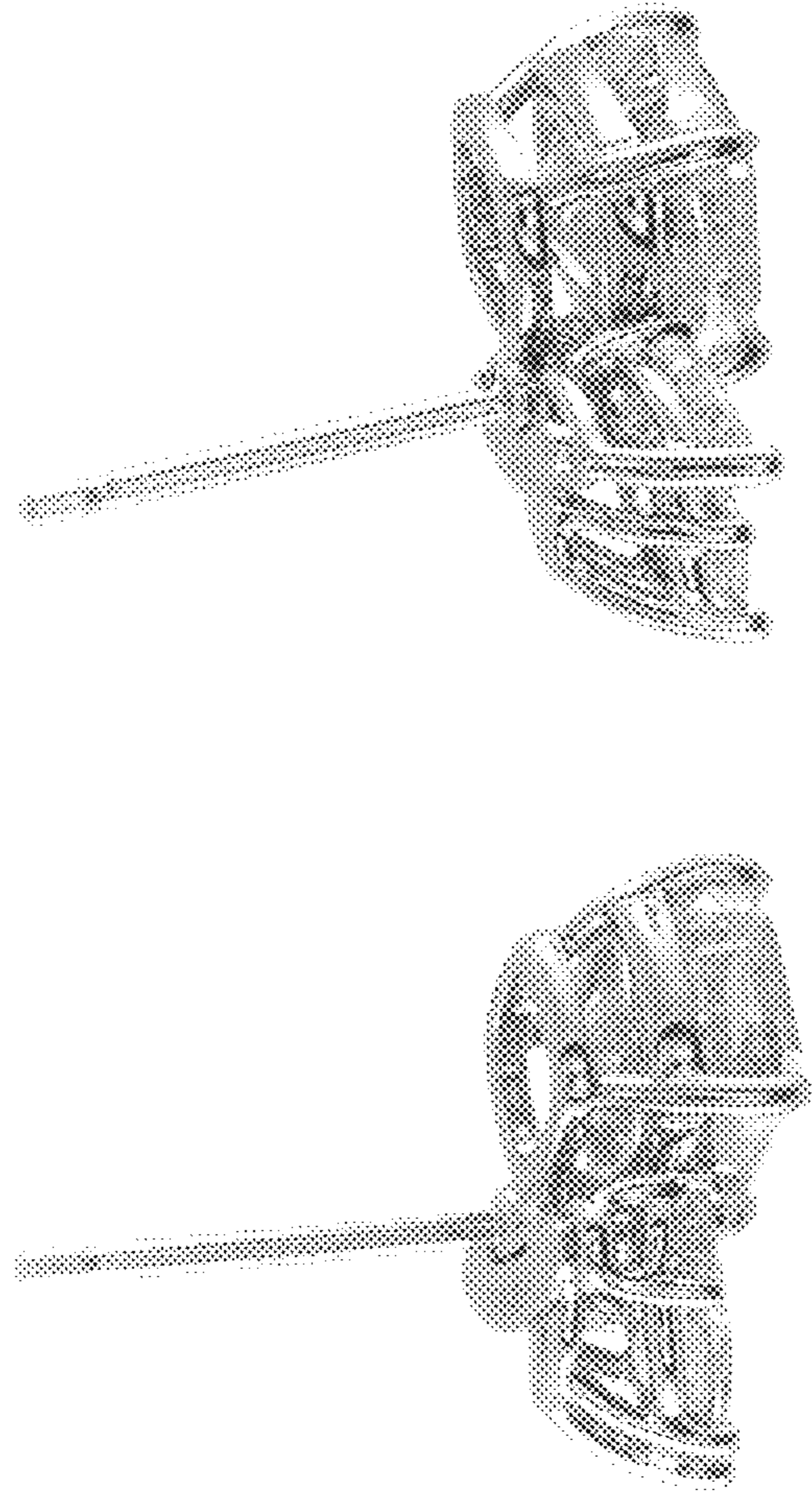


FIG. 4

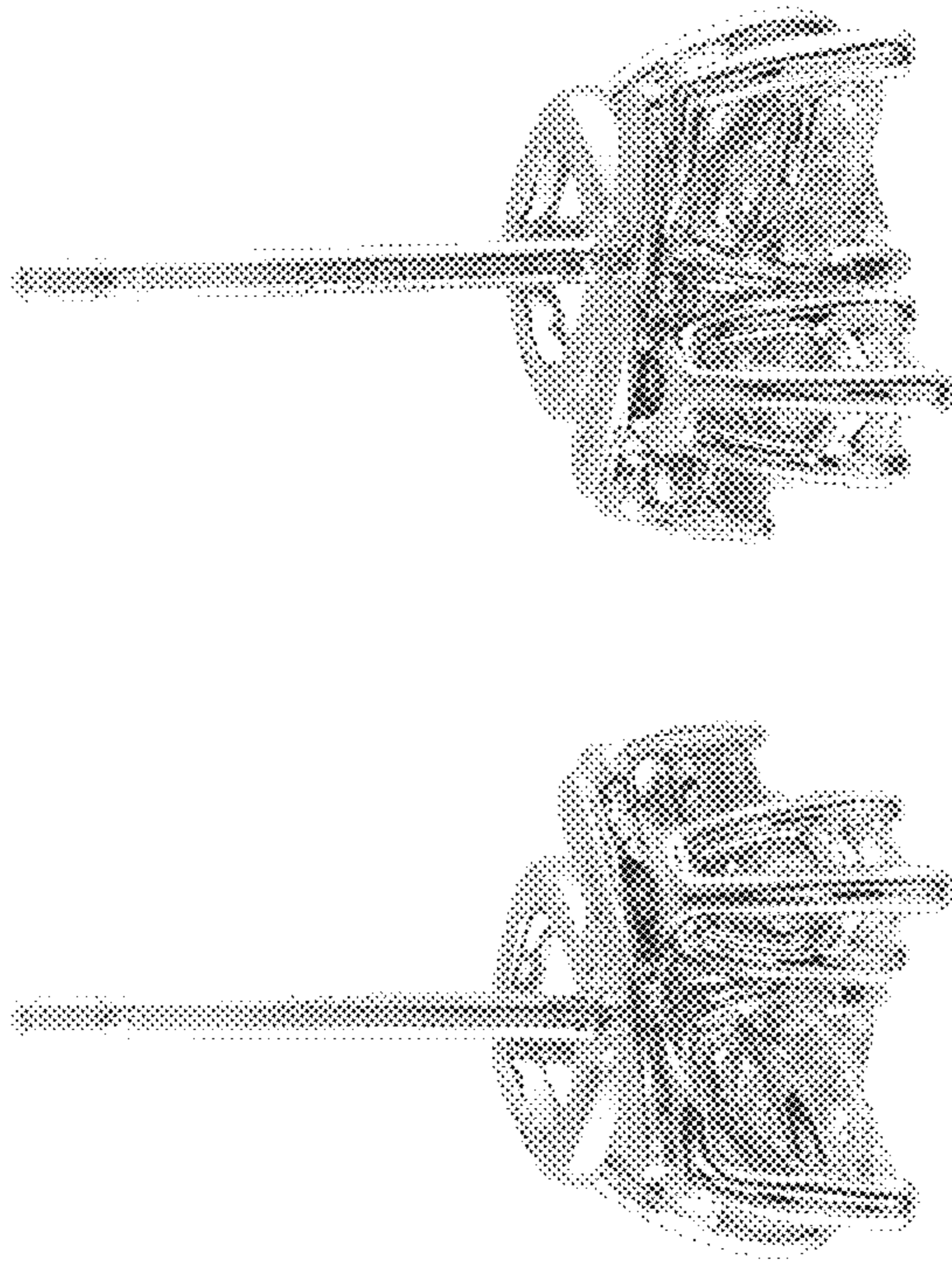


FIG. 5

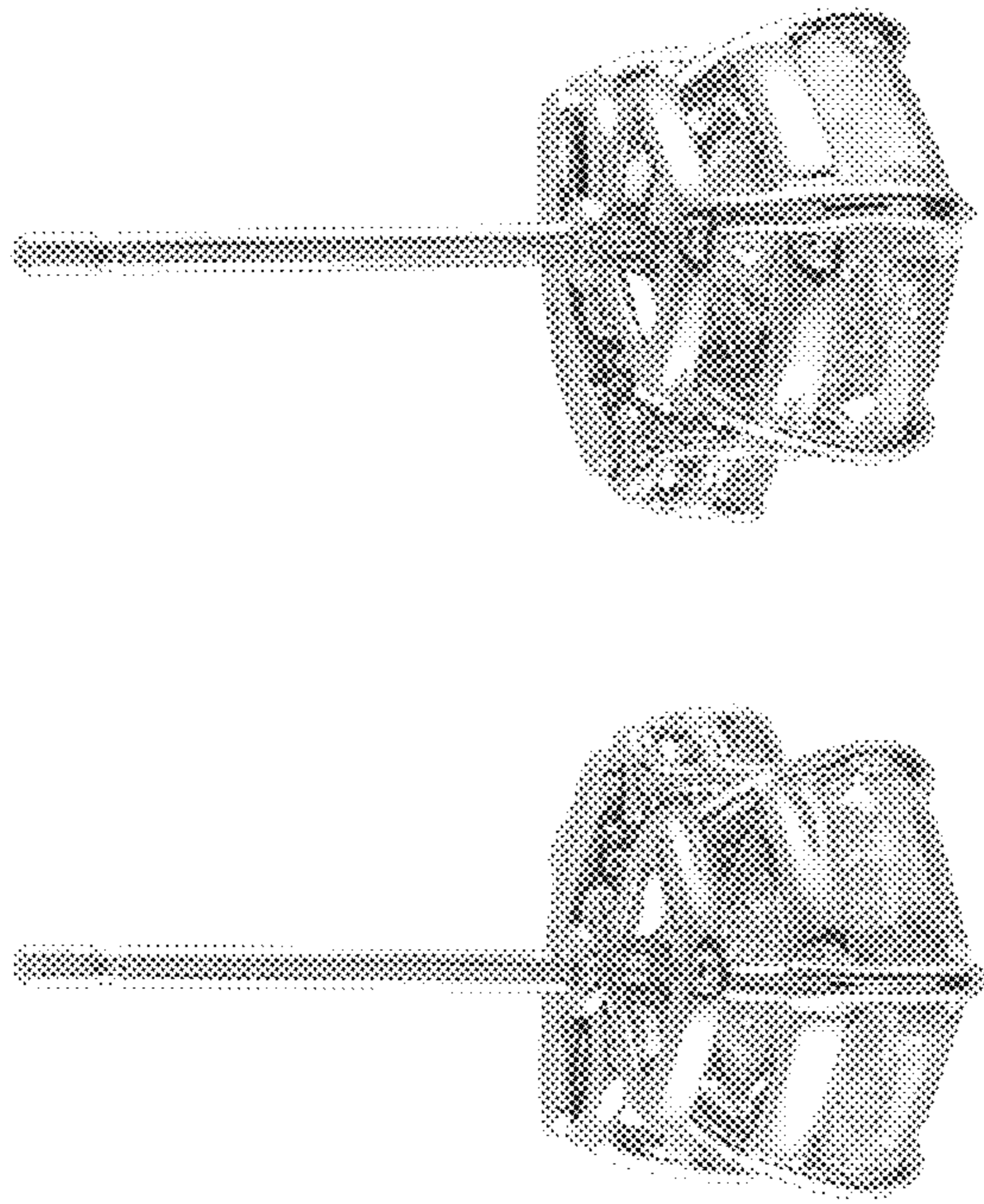


FIG. 6

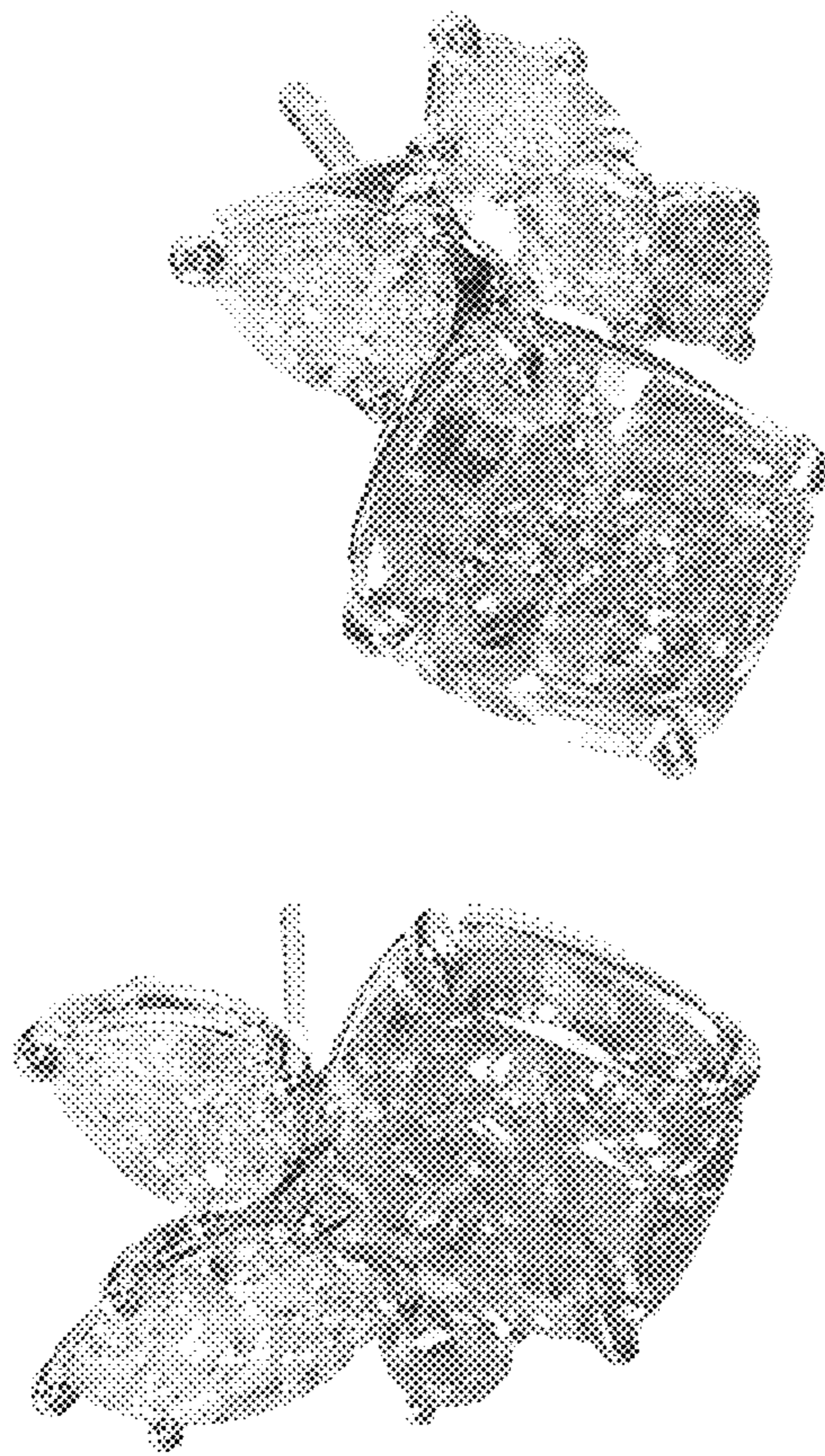


FIG. 7

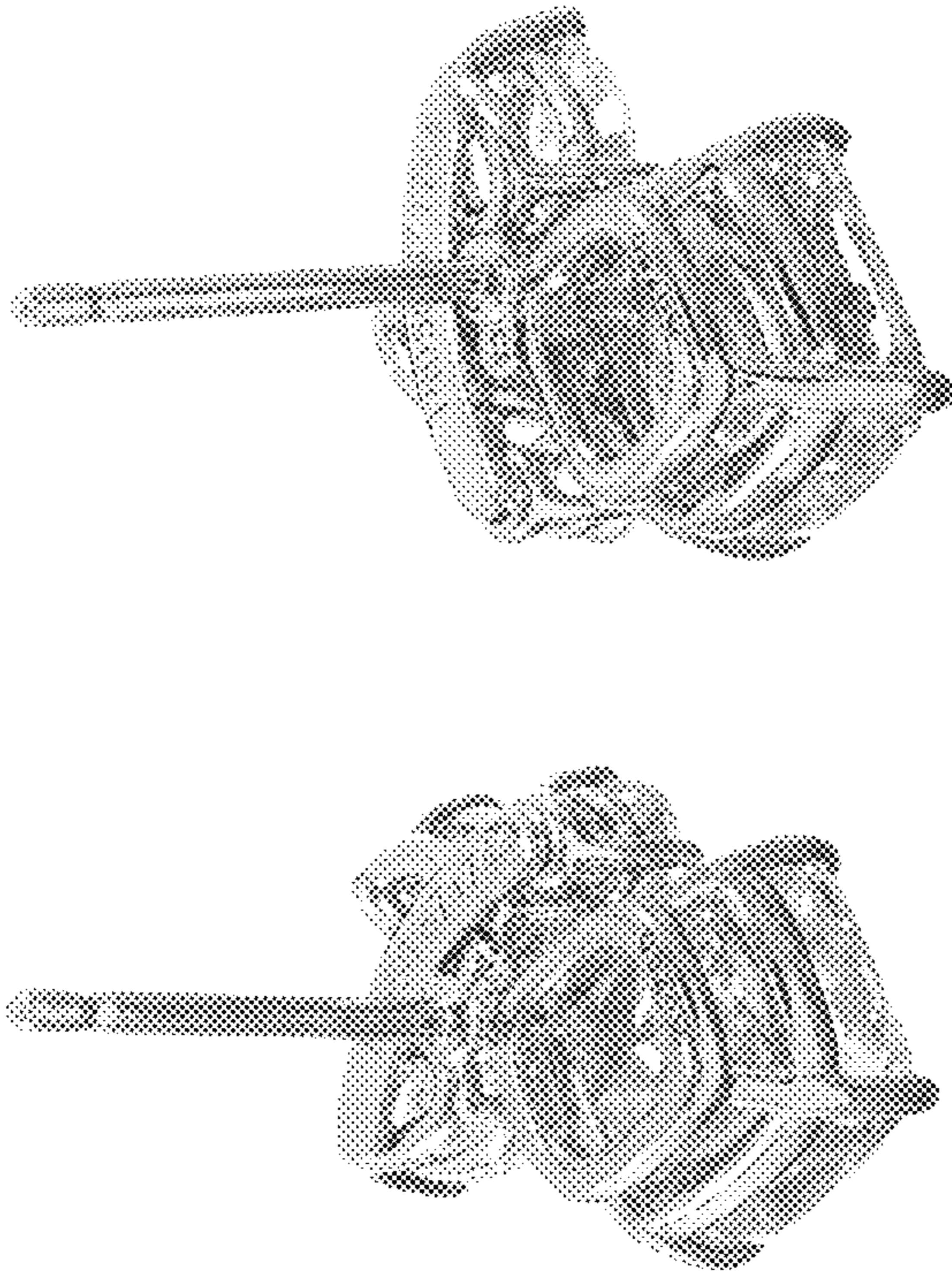


FIG. 8