



US00D971056S

(12) **United States Design Patent**  
**Tysander**

(10) **Patent No.:** **US D971,056 S**

(45) **Date of Patent:** **\*\* Nov. 29, 2022**

(54) **PIECE OF JEWELRY**

(71) Applicant: **Daniel Wellington AB**, Stockholm (SE)

(72) Inventor: **Filip Tysander**, Stockholm (SE)

(\*\*) Term: **15 Years**

(21) Appl. No.: **35/511,325**

(22) Filed: **Jan. 4, 2021**

(80) **Hague Agreement Data**

Int. Filing Date: **Jan. 4, 2021**

Int. Reg. No.: **DM/212484**

Int. Reg. Date: **Jan. 4, 2021**

Int. Reg. Pub. Date: **Feb. 5, 2021**

(30) **Foreign Application Priority Data**

Jul. 7, 2020 (EM) ..... 008032502

(51) **LOC (13) Cl.** ..... **11-01**

(52) **U.S. Cl.**  
USPC ..... **D11/26**

(58) **Field of Classification Search**

USPC ..... D11/7-10, 26-44, 75-79, 85, 86, 3, 4,  
D11/26-39, 91, 92

CPC ..... A44C 7/00; A44C 7/003; A44C 9/0007;  
A44C 9/0015; A44C 9/00-02; A55C  
25/001

See application file for complete search history.

(56) **References Cited**

**U.S. PATENT DOCUMENTS**

D157,755 S \* 3/1950 Grafstein ..... D11/26  
D264,827 S \* 6/1982 Cunningham ..... D11/27  
D520,897 S \* 5/2006 Sandberg ..... D11/34  
D525,555 S \* 7/2006 Sandberg ..... D11/34  
D590,736 S \* 4/2009 Larsen ..... D11/38  
D590,737 S \* 4/2009 Larsen ..... D11/38  
D655,217 S \* 3/2012 Thevenaz ..... A44C 9/0023  
D11/26

D730,230 S \* 5/2015 Zeuner ..... D11/27  
D911,208 S \* 2/2021 Tysander ..... D11/26  
D934,104 S \* 10/2021 Messika ..... D11/34

(Continued)

**OTHER PUBLICATIONS**

Facebook Daniel Wellington Sep. 16, 2020, [online], [site visited Mar. 13, 2022]. Retrieved from url:https://www.facebook.com/danielwellingtonofficial/photos/4692135790811582 (Year: 2020).\*

(Continued)

*Primary Examiner* — Tracey J Bell

(57) **CLAIM**

The ornamental design for a piece of jewelry, as shown and described.

**DESCRIPTION**

The file of this patent contains at least one drawing/photograph executed in color. Copies of this patent with color drawing(s)/photograph(s) will be provided by the Office upon request and payment of the necessary fee.

2-3. Finger Ring

2.1 : Perspective

2.2 : Front

2.3 : Top

2.4 : Right

2.5 : Left

2.6 : Back

2.7 : Bottom

3.1 : Perspective

3.2 : Front

3.3 : Top

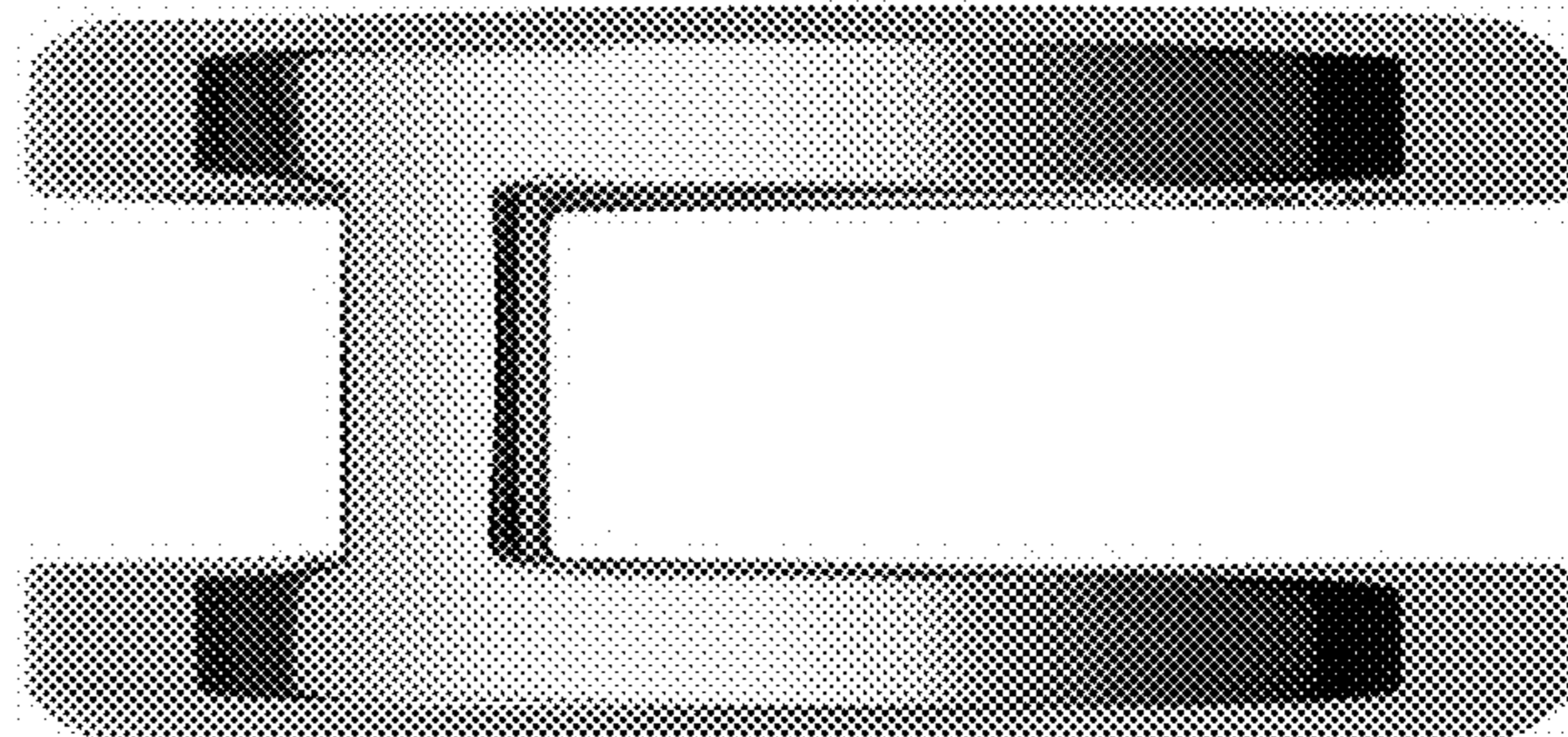
3.4 : Right

3.5 : Left

3.6 : Back

3.7 : Bottom

**1 Claim, 14 Drawing Sheets**  
**(7 of 14 Drawing Sheet(s) Filed in Color)**



(56)

**References Cited**

U.S. PATENT DOCUMENTS

2013/0186134 A1\* 7/2013 Goldstein ..... A44C 9/0023  
63/3.1

OTHER PUBLICATIONS

Facebook Daniel Wellington Sep. 1, 2020, [online], [site visited Mar. 13, 2022]. Retrieved from url:<https://www.facebook.com/danielwellingtonofficial/photos/4596802563678239> (Year: 2020).\*

Facebook Daniel Wellington, Mar. 2, 2020, [online], [site visited Mar. 13, 2022]. Retrieved from url:<https://www.facebook.com/danielwellingtonofficial/photos/4596812567010572> (Year: 2020).\*

Michael M Solid Double Band Ring, not date available, [online], [site visited Mar. 13, 2022]. Retrieved from url:<https://www.michaelmcollection.com/products/solid-double-band-ring> (Year: 2022).\*

Etsy Double Silver Ring, Apr. 23, 2022, [online], [site visited Apr. 25, 2022]. Retrieved from url:<https://www.etsy.com/listing/936870414/double-silver-ring-thumb-ring-minimalist> (Year: 2022).\*

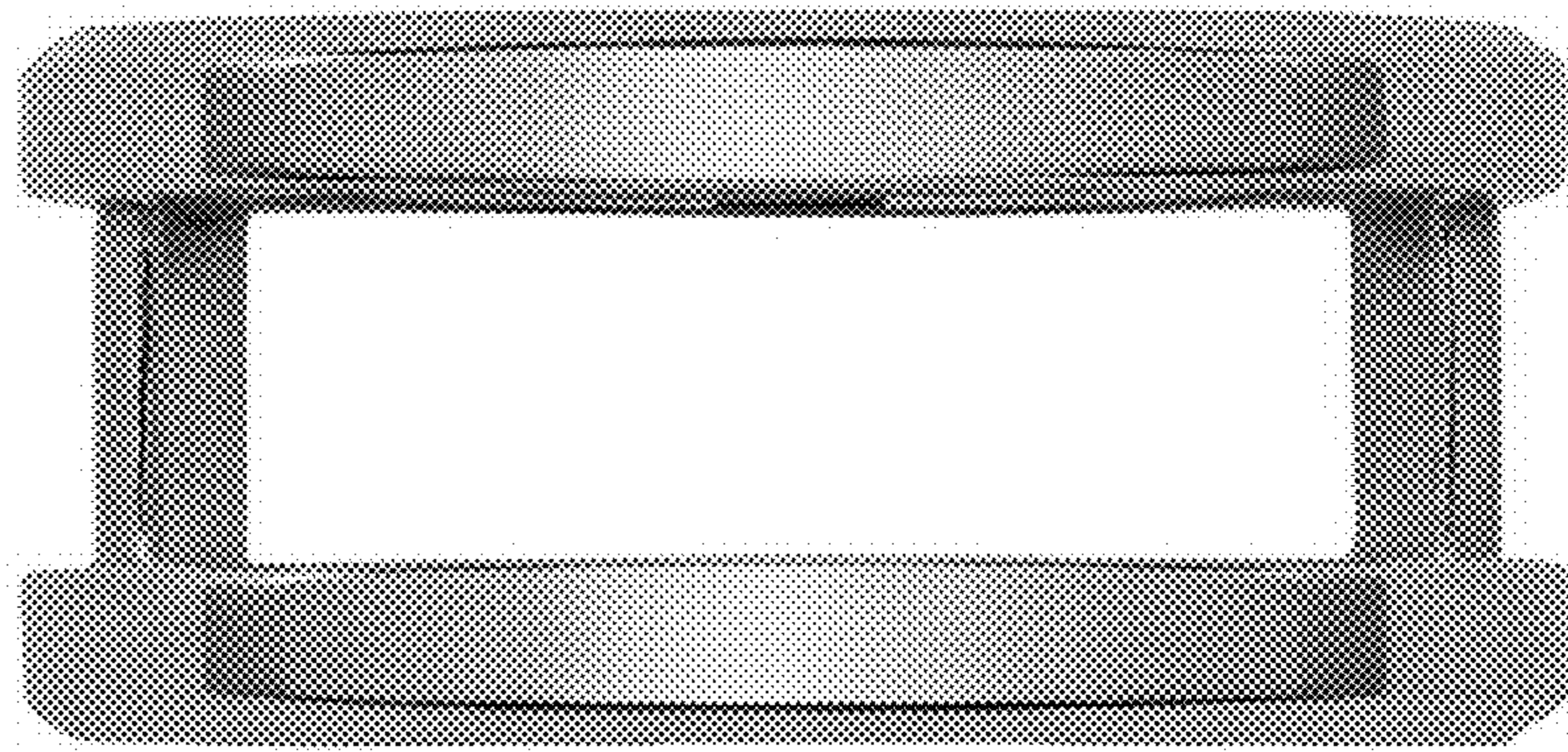
\* cited by examiner



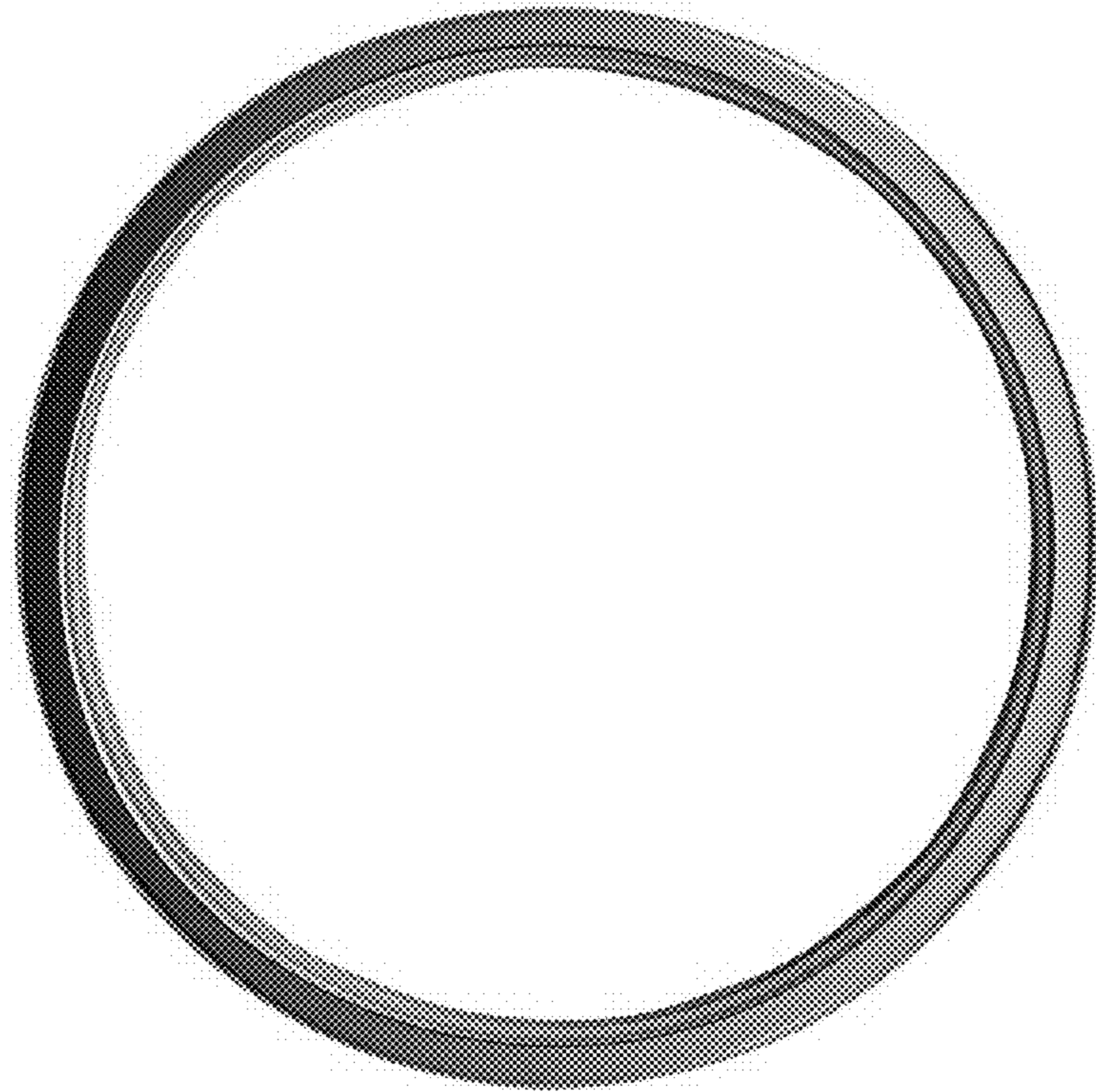
2.1



2.2

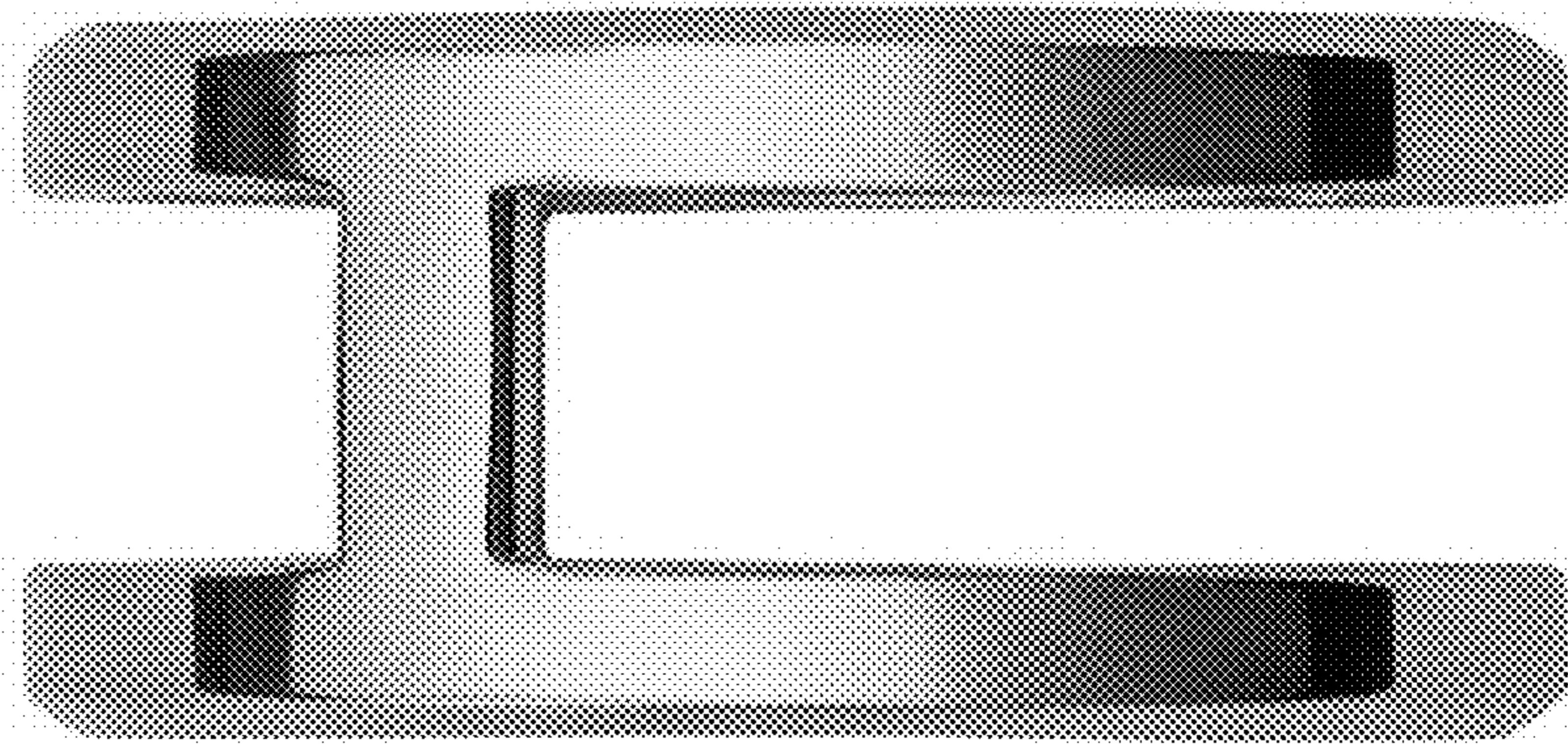


2.3

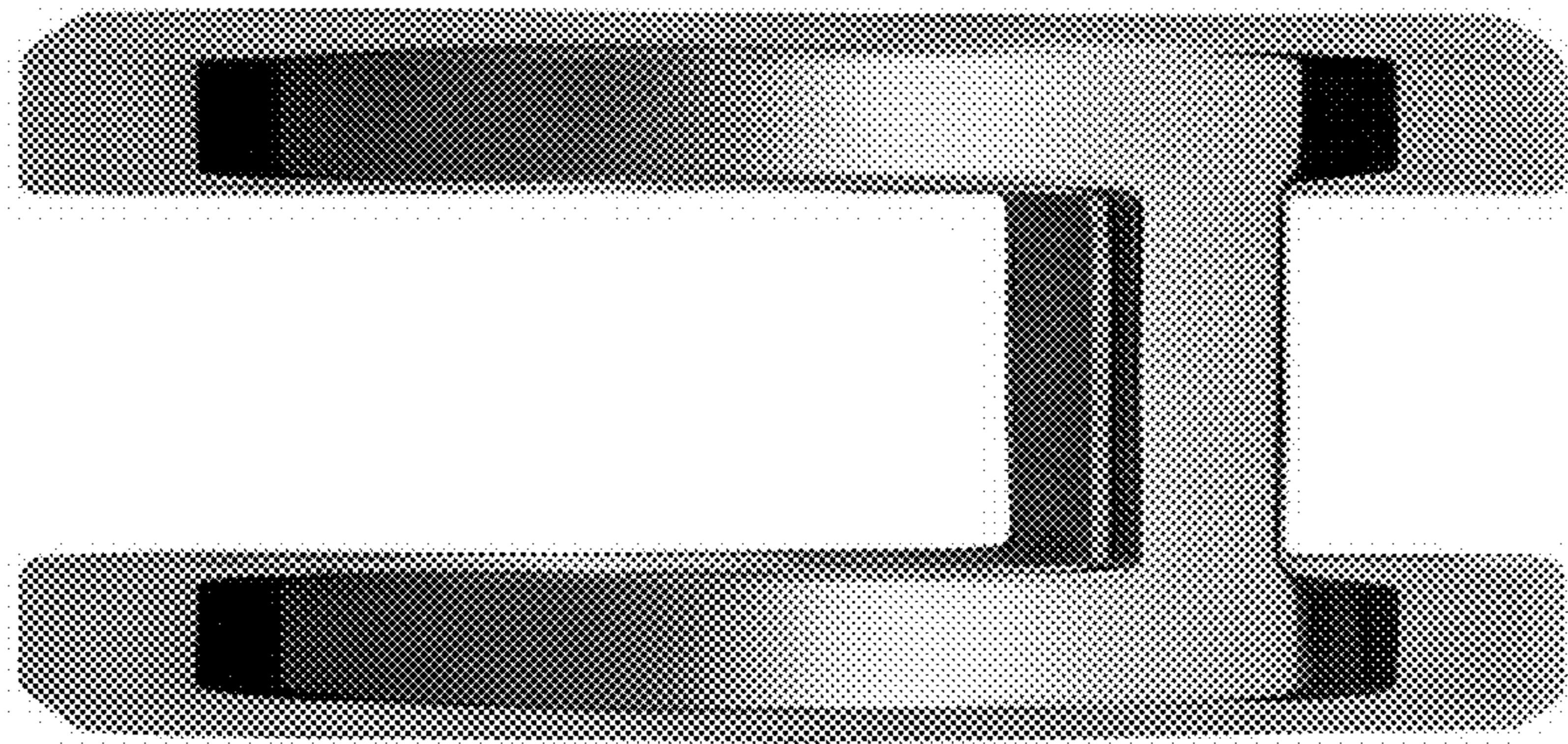




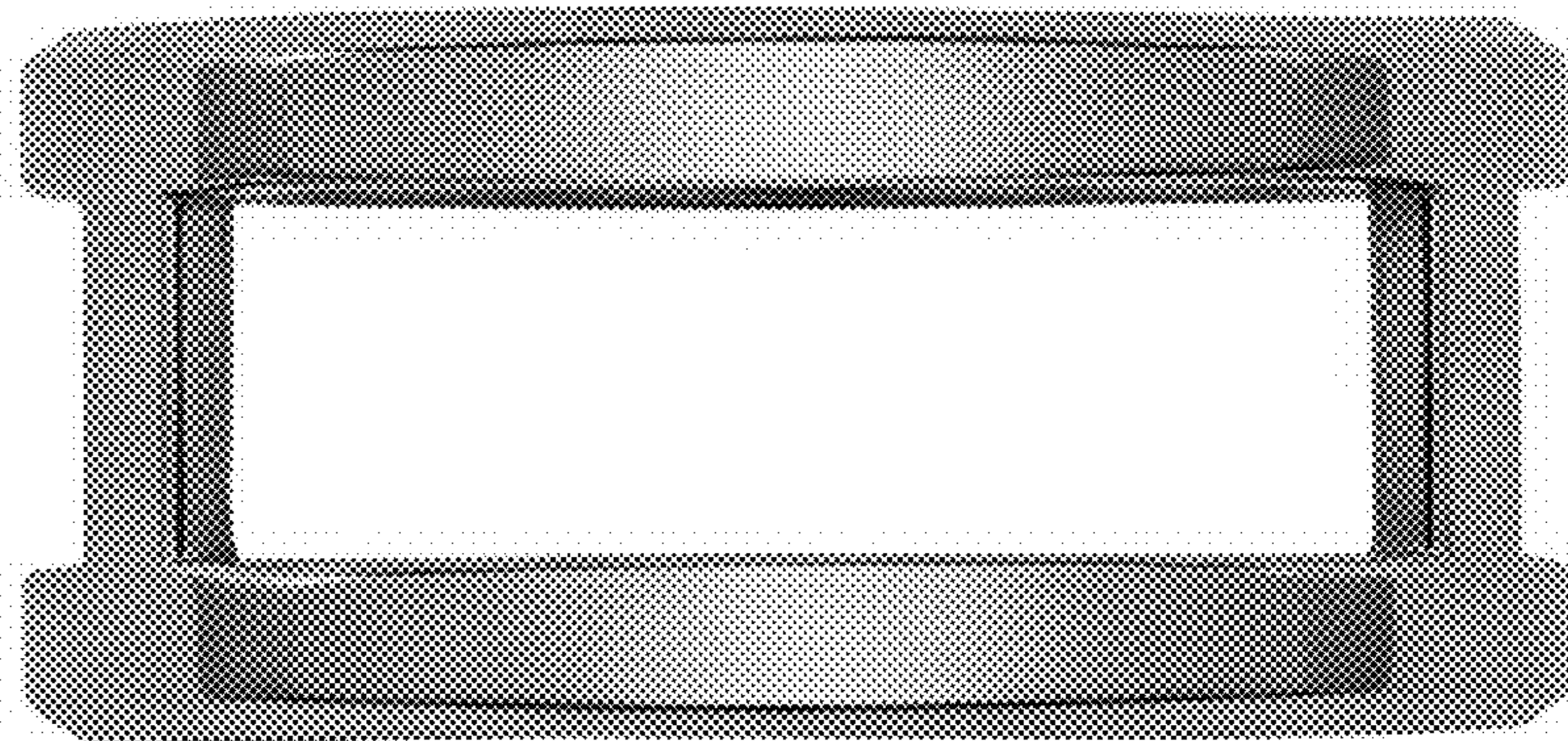
2.4



2.5

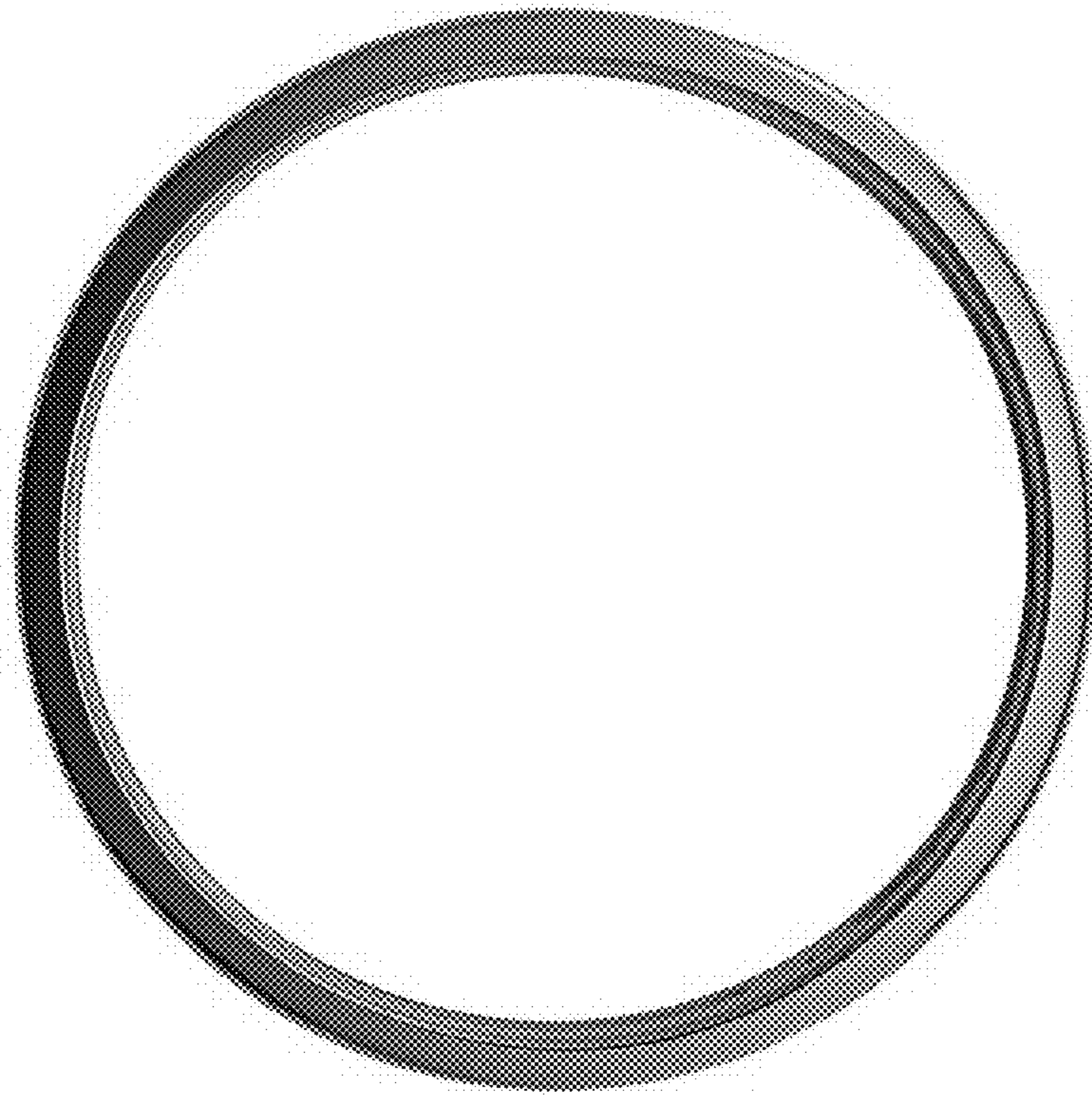


2.6





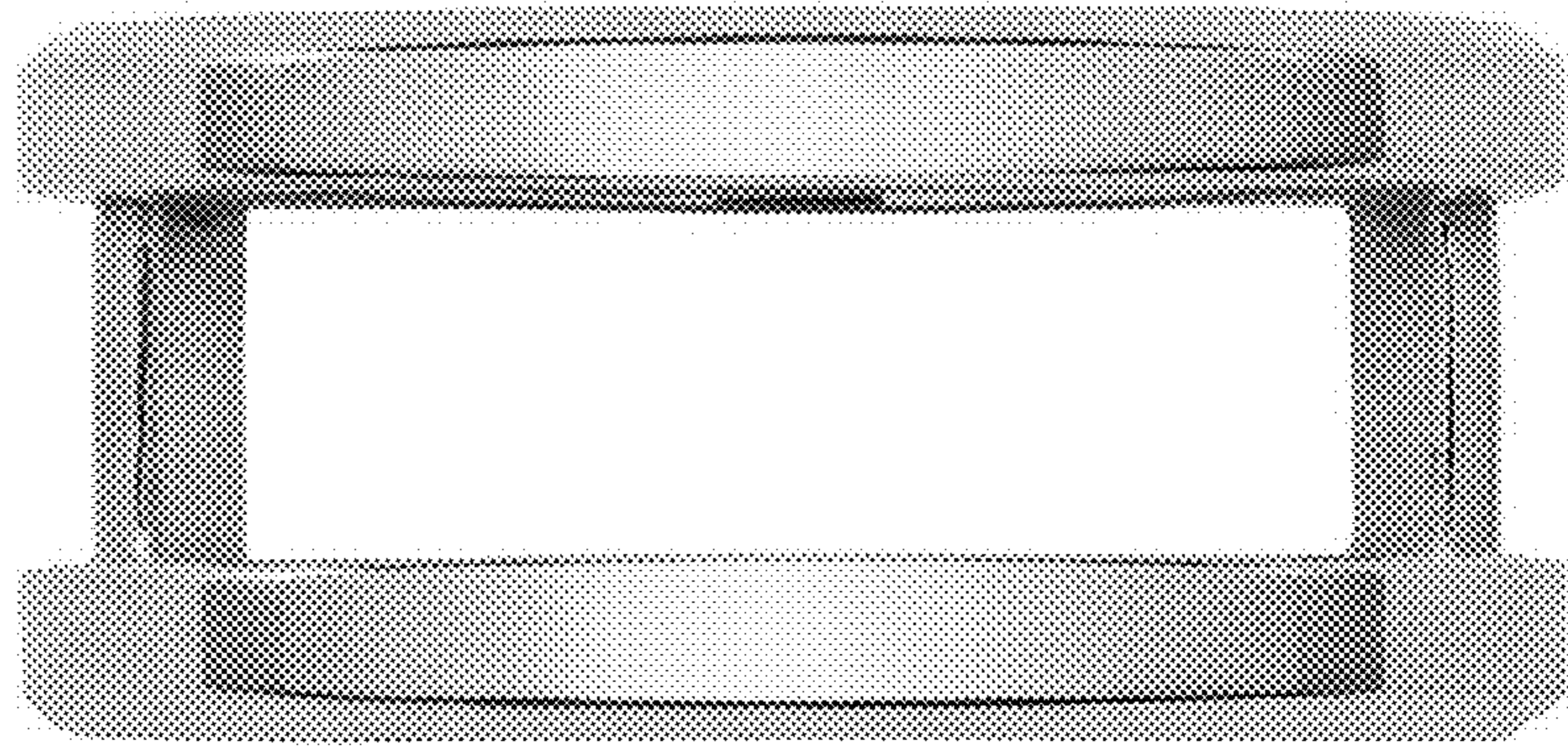
2.7



3.1

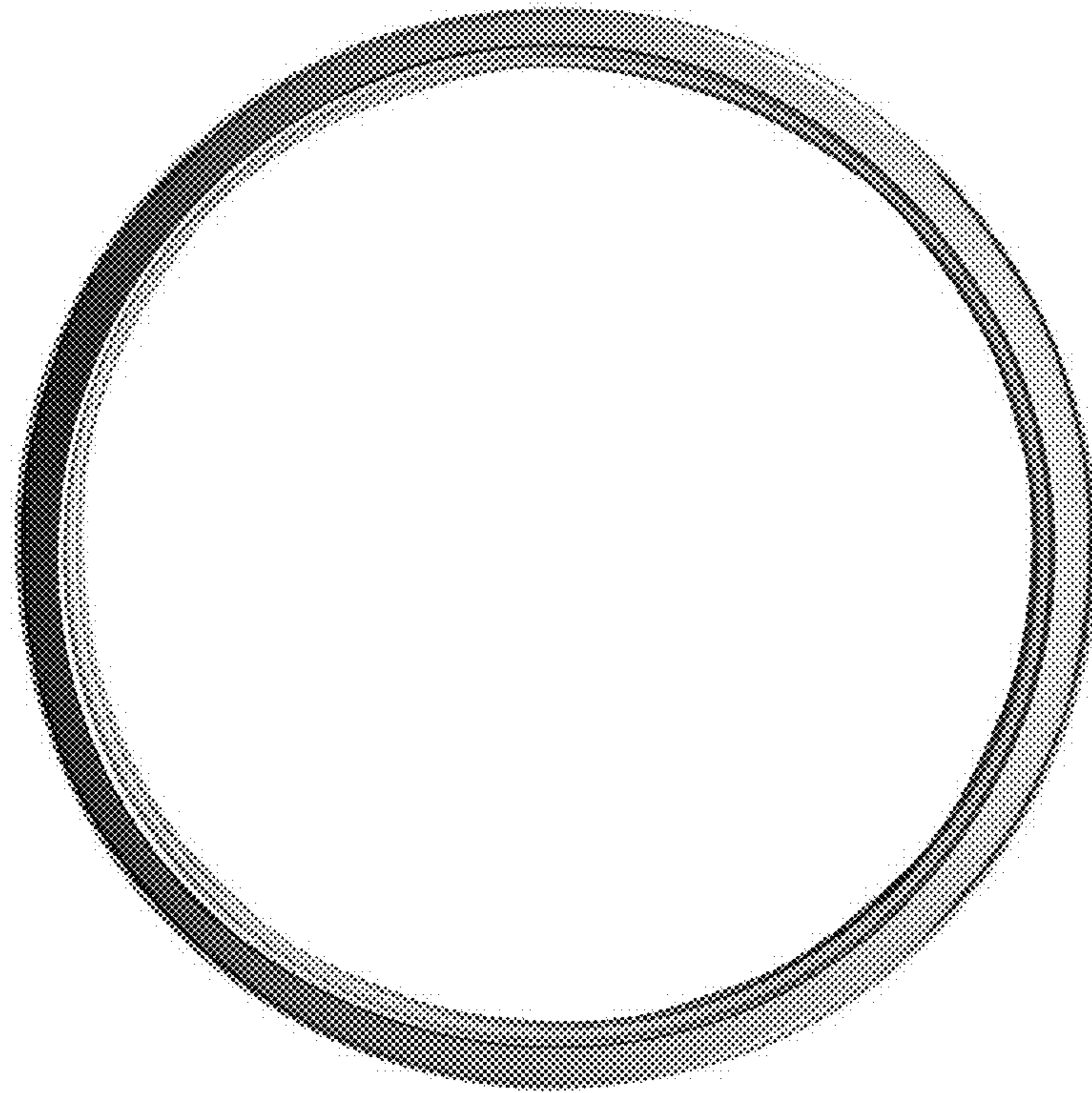


3.2

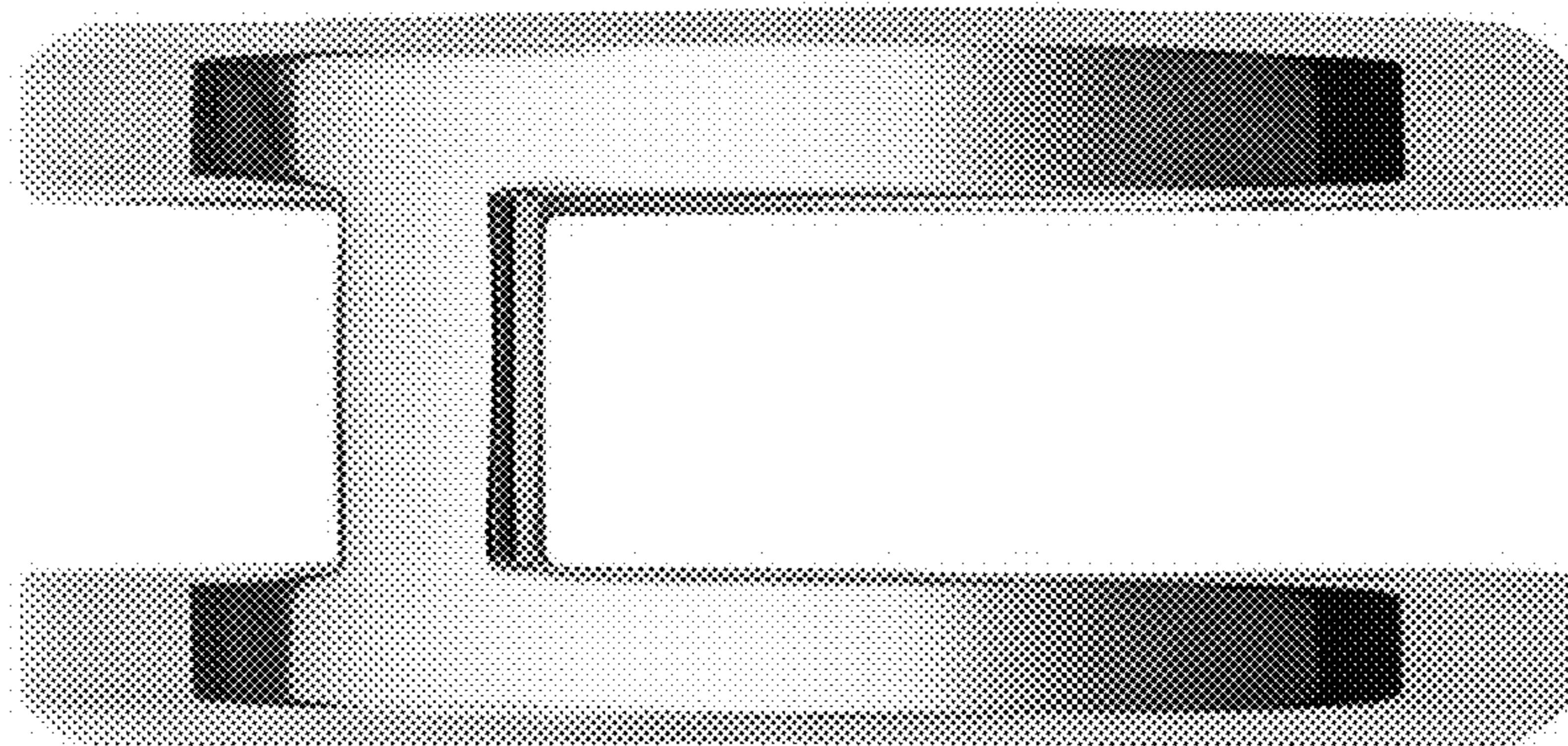




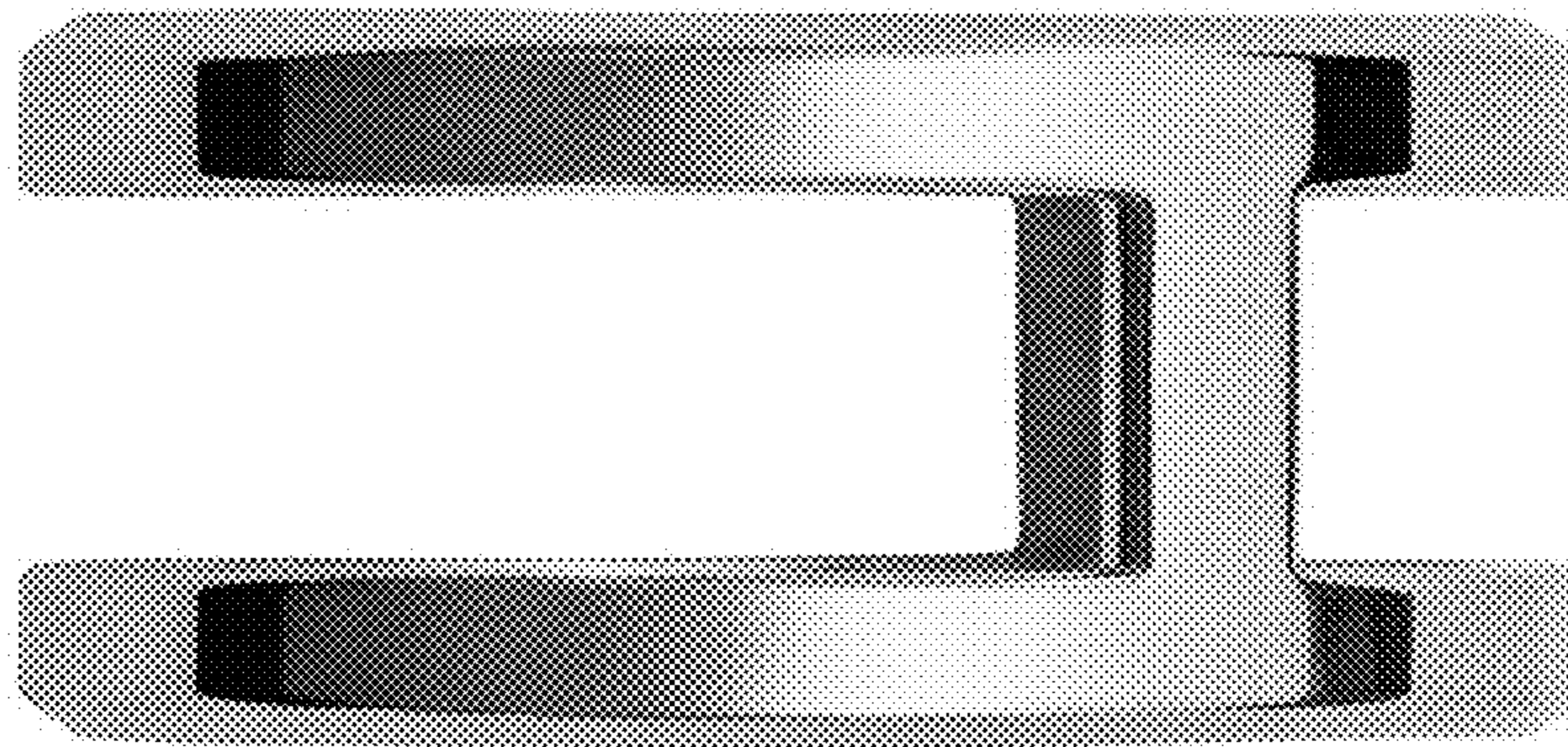
3.3



3.4

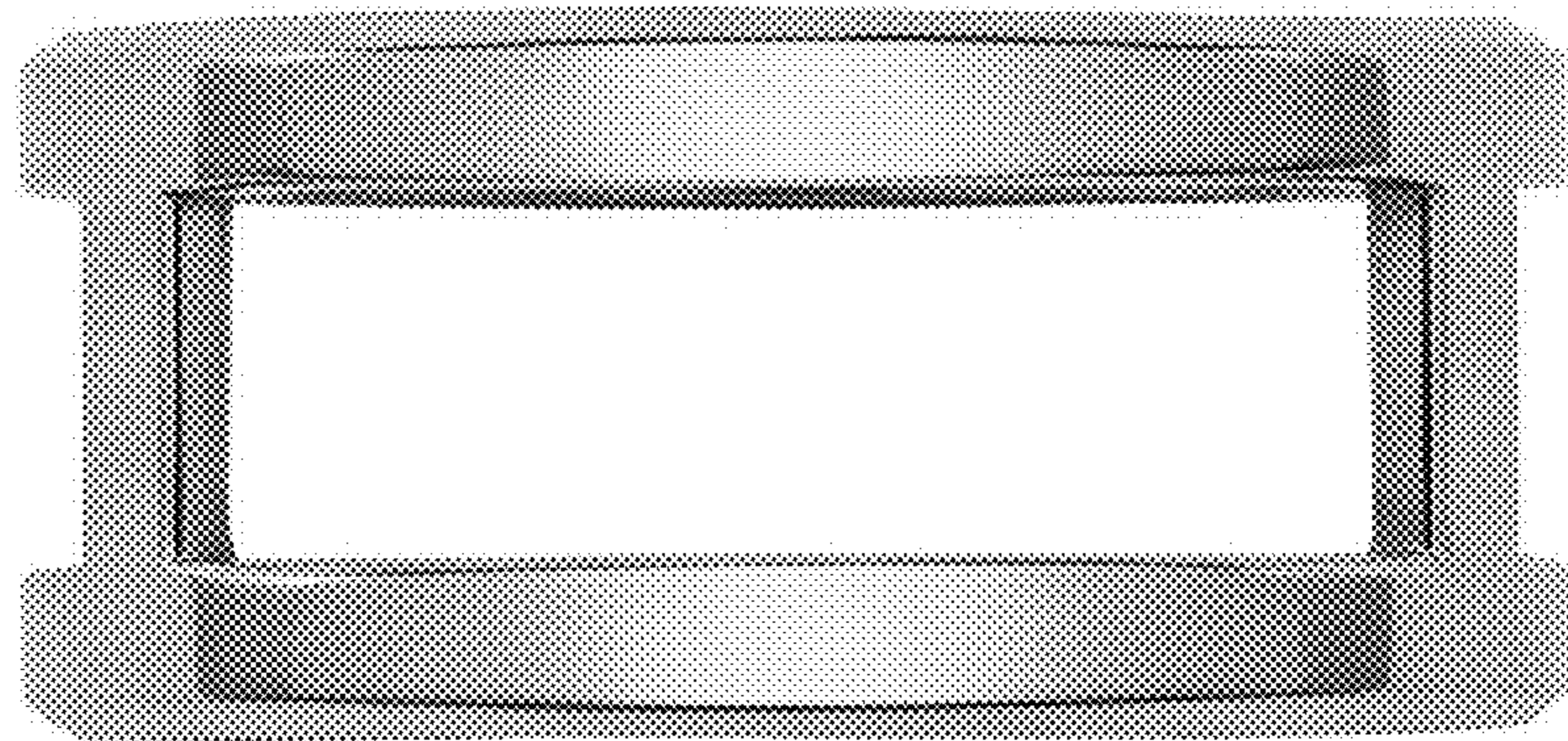


3.5





3.6



3.7

