



US00D971055S

(12) **United States Design Patent** (10) **Patent No.:** **US D971,055 S**  
**Yi** (45) **Date of Patent:** **\*\* Nov. 29, 2022**

(54) **WATCHBAND**  
(71) Applicant: **Yanbing Yi**, Nanchong (CN)  
(72) Inventor: **Yanbing Yi**, Nanchong (CN)  
(\*\*) Term: **15 Years**  
(21) Appl. No.: **29/847,646**

D909,904 S 2/2021 Koyama  
D921,516 S 6/2021 Ouyang  
D922,894 S \* 6/2021 Akana ..... D11/5  
D931,132 S \* 9/2021 Liu ..... D11/3  
D931,751 S \* 9/2021 Akana ..... D11/3  
D953,912 S \* 6/2022 Cai ..... D11/3  
D955,255 S \* 6/2022 Cai ..... D11/3  
D955,256 S \* 6/2022 Cao ..... D11/3  
D959,317 S \* 8/2022 Cai ..... D11/3  
D962,106 S \* 8/2022 Jiang ..... D11/3

\* cited by examiner

(22) Filed: **Jul. 27, 2022**  
(51) **LOC (13) Cl.** ..... **11-01**  
(52) **U.S. Cl.**  
USPC ..... **D11/3**  
(58) **Field of Classification Search**  
USPC ..... D11/1-25, 86, 93, 94; D10/30-39, 70,  
D10/46; D24/186, 167; D14/344;  
D2/627, 635  
CPC .... G04B 37/1486; G04B 37/16; G04B 37/18;  
A44C 5/14; A44C 5/0053; A44C 5/0069;  
A44C 5/0076; A44C 5/00; A44C 5/0007;  
A44C 5/0015; A44C 5/0023; A44C  
5/003; A44C 5/0061; A44C 5/12; A44C  
5/147; A44C 5/18; A44C 5/185  
See application file for complete search history.

*Primary Examiner* — Melanie Pellegrini  
(74) *Attorney, Agent, or Firm* — Rumit Ranjit Kanakia

(57) **CLAIM**

The ornamental design for a watchband, as shown and described.

**DESCRIPTION**

FIG. 1 is a first perspective view of a watchband showing my new design;  
FIG. 2 is a second perspective view thereof;  
FIG. 3 is a front view thereof;  
FIG. 4 is a back view thereof;  
FIG. 5 is a left side view thereof;  
FIG. 6 is a right side view thereof;  
FIG. 7 is a top view thereof;  
FIG. 8 is a bottom view thereof; and,  
FIG. 9 is an enlarged view of the selected portion 9 in FIG. 1.

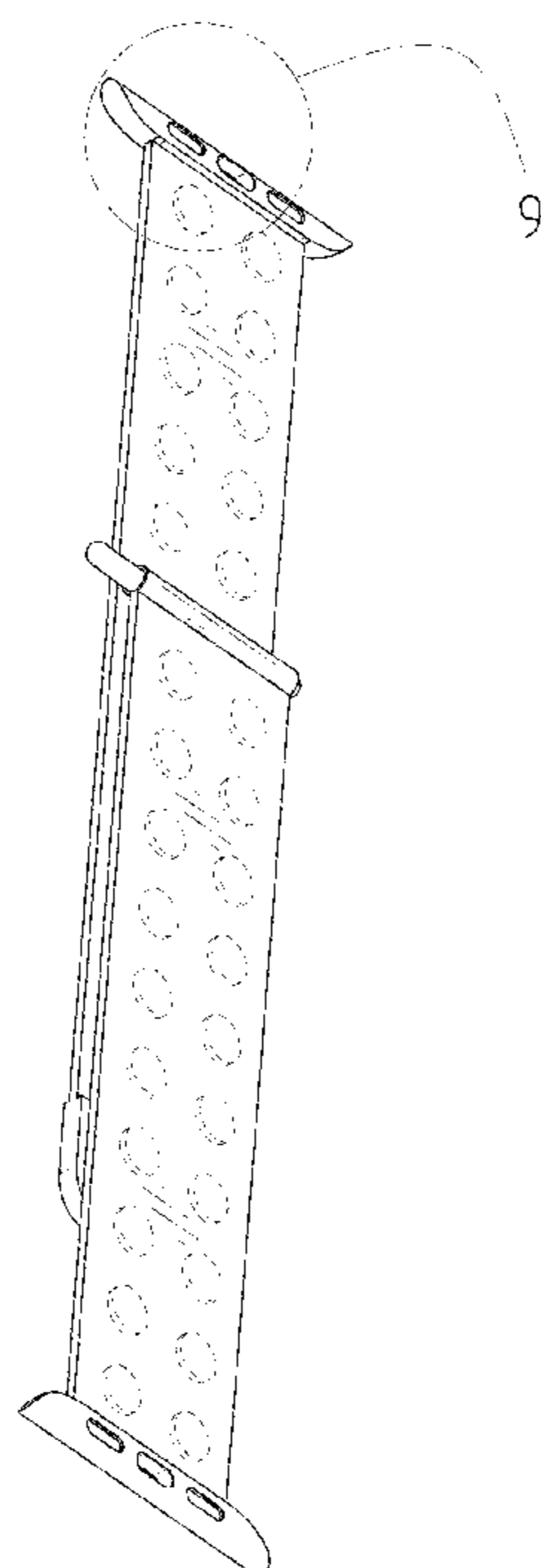
The broken lines shown in the drawings depict portions of the watchband that form no part of the claimed design. The dot-dash style broken lines represent boundary lines which also form no part of the claimed design.

(56) **References Cited**

U.S. PATENT DOCUMENTS

D739,780 S \* 9/2015 Akana ..... D11/3  
D755,070 S \* 5/2016 Akana ..... D11/5  
D795,121 S \* 8/2017 Akana ..... D11/3  
D813,076 S \* 3/2018 Akana ..... D11/5  
D837,082 S \* 1/2019 Akana ..... D11/3  
D843,875 S \* 3/2019 Akana ..... D11/34  
D863,094 S \* 10/2019 Akana ..... D11/3  
D863,096 S \* 10/2019 Akana ..... D11/3  
D879,645 S 3/2020 Lin

**1 Claim, 9 Drawing Sheets**



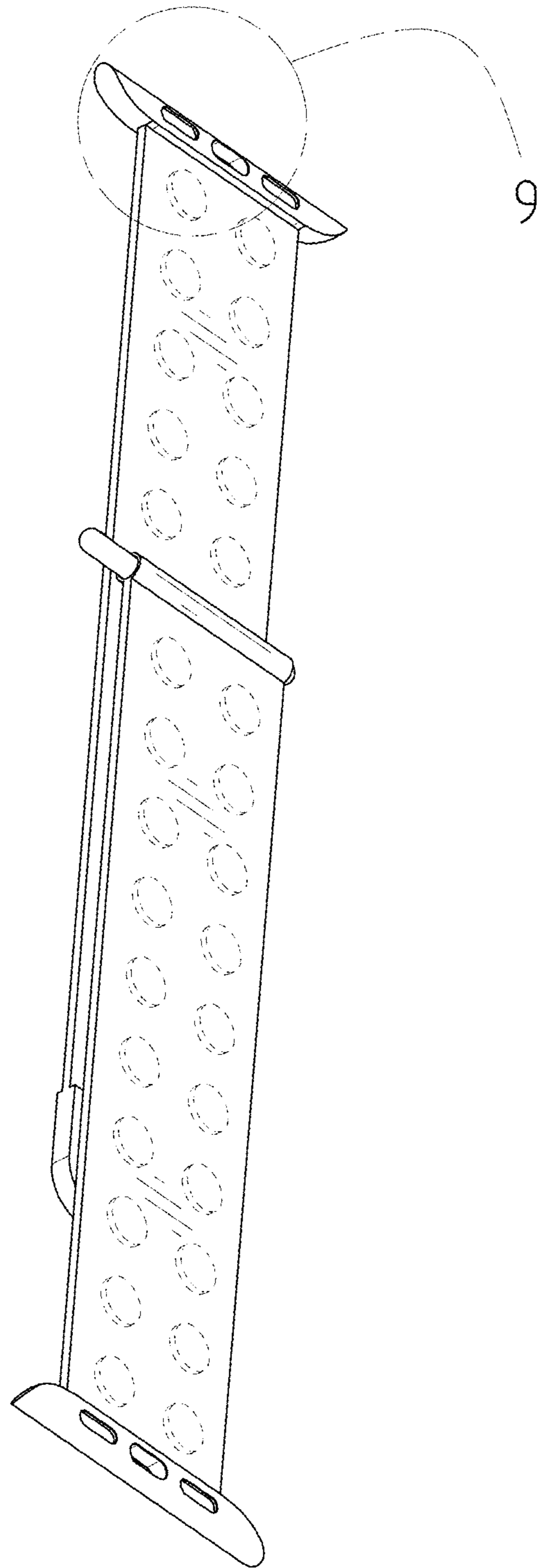


FIG. 1

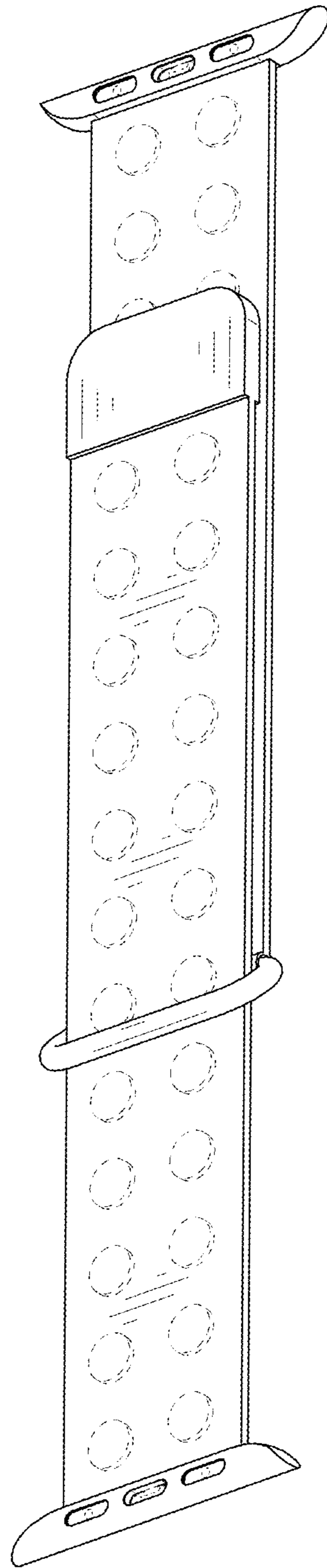


FIG. 2

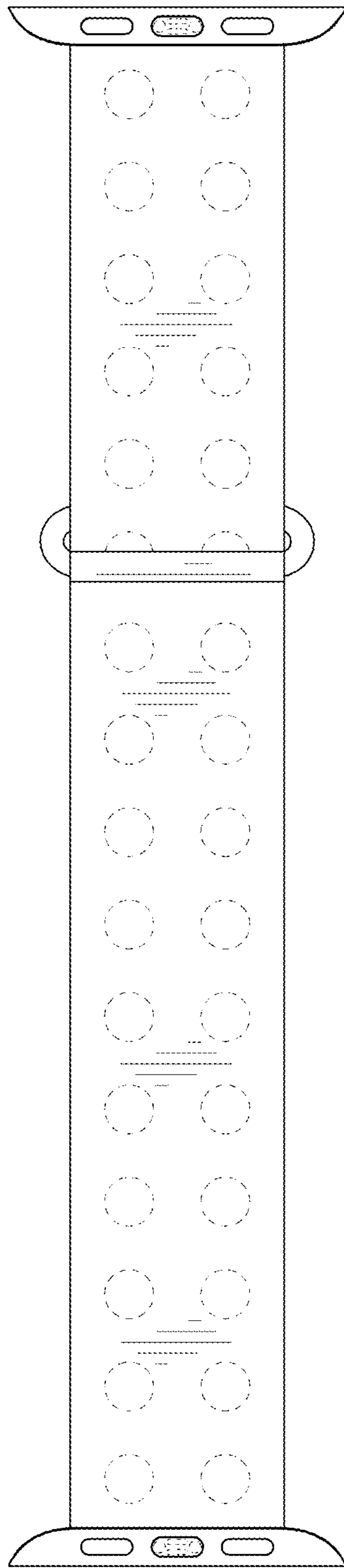


FIG. 3

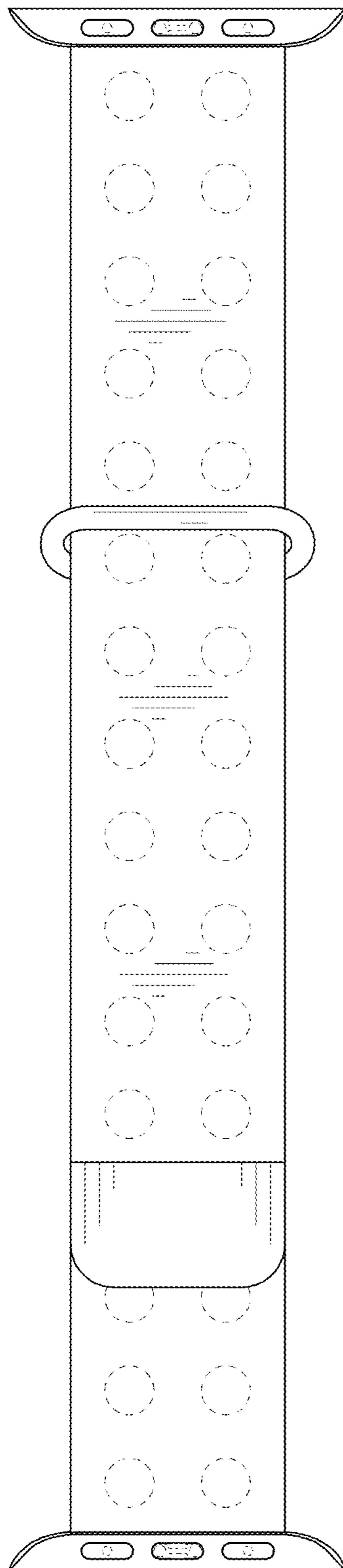


FIG. 4



FIG. 5

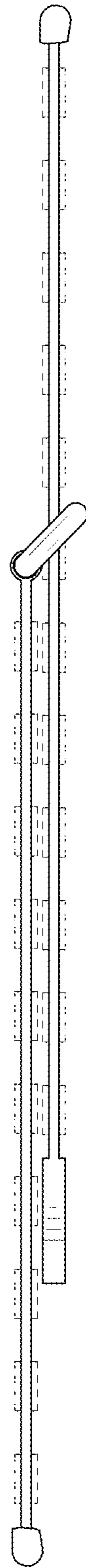


FIG. 6



FIG. 7



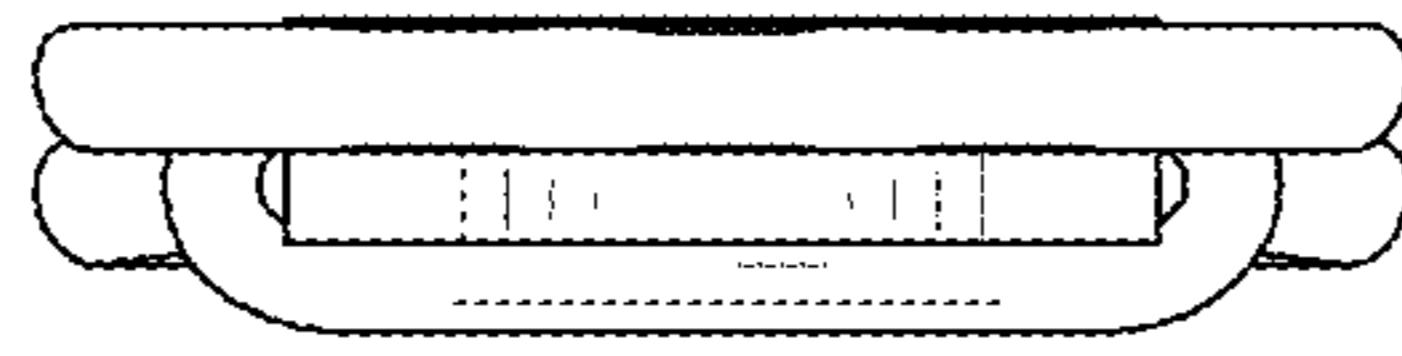


FIG. 8

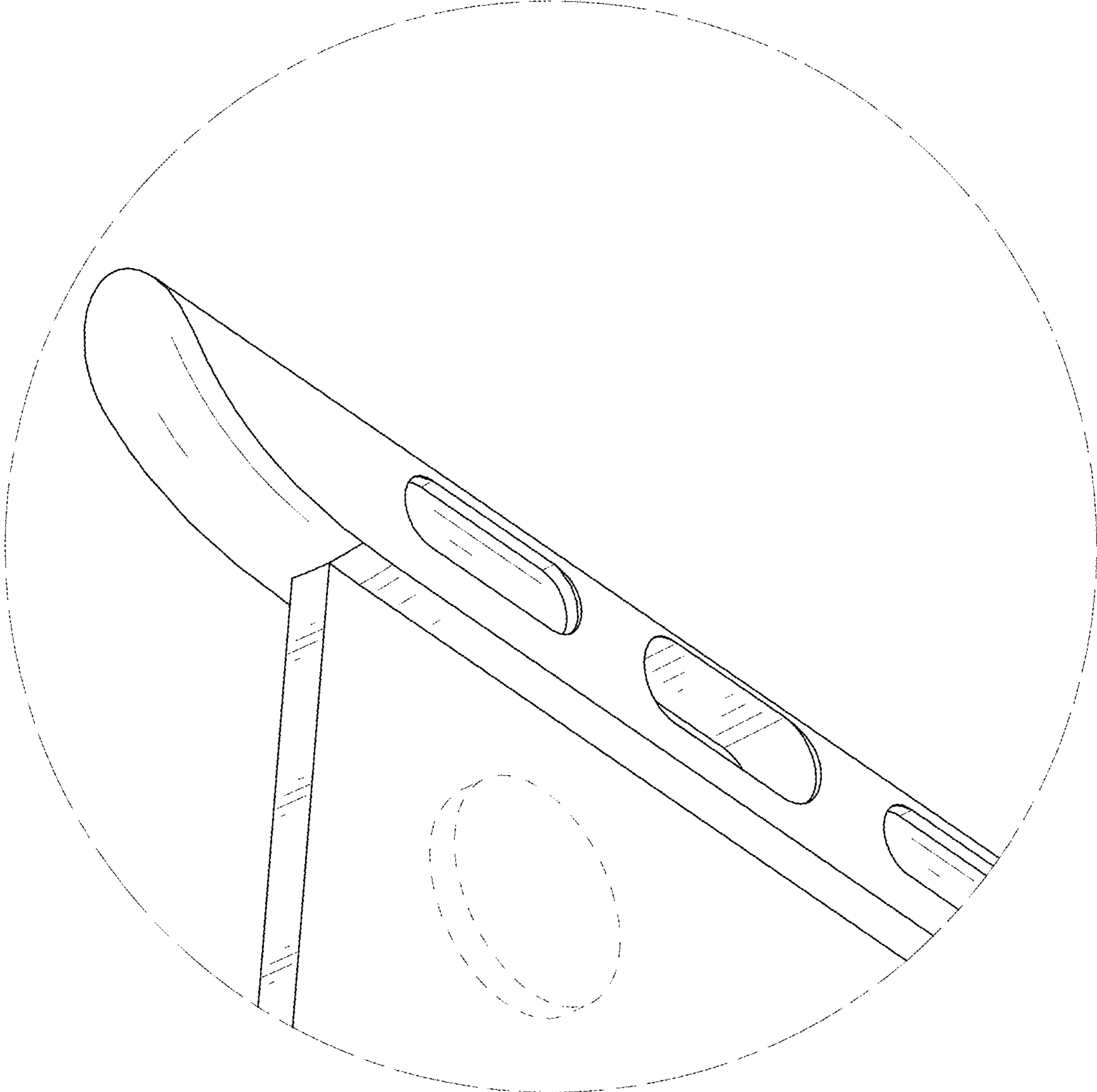


FIG. 9