



US00D971053S

(12) **United States Design Patent** (10) **Patent No.:** **US D971,053 S**
Yi (45) **Date of Patent:** **** Nov. 29, 2022**

(54) **WATCHBAND**
(71) Applicant: **Yanxin Yi**, Nanchong (CN)
(72) Inventor: **Yanxin Yi**, Nanchong (CN)
(**) Term: **15 Years**
(21) Appl. No.: **29/778,297**
(22) Filed: **Apr. 12, 2021**
(51) **LOC (13) Cl.** **11-01**
(52) **U.S. Cl.**
USPC **D11/3; D11/12**
(58) **Field of Classification Search**
USPC D11/1-5, 94, 12, 13; D10/30, 31, 32, 70;
D14/344; D30/152, 153; D2/627, 634,
D2/635, 638
CPC A44C 5/0015; A44C 5/0023; A44C 5/003;
A44C 5/0053; A44C 5/0061; A44C
5/0069; A44C 5/0076; A44C 5/02; A44C
5/025; A44C 5/027; A44C 5/16; A44C
5/24; A44C 5/243; A44C 5/246
See application file for complete search history.

(56) **References Cited**
U.S. PATENT DOCUMENTS
D59,972 S * 12/1921 Lederer D11/3
1,840,771 A * 1/1932 Duerr A44C 5/0061
D11/12
D87,571 S * 8/1932 Hamilton D2/635
D87,572 S * 8/1932 Hamilton D2/635
2,434,383 A * 1/1948 Benjamin A44C 5/0061
D11/4
2,467,204 A * 4/1949 Greenberg A44C 5/22
D11/94
D287,403 S * 12/1986 Kiiski D10/31
D300,581 S * 4/1989 Berger D2/635
D438,812 S * 3/2001 Bert D11/3
D517,775 S * 3/2006 Cook D2/627
D764,340 S * 8/2016 Akana D11/3

D813,076 S * 3/2018 Akana D11/5
D822,529 S * 7/2018 Akana D11/13
D843,875 S * 3/2019 Akana D11/34
D857,542 S * 8/2019 Sun D11/3
D863,097 S * 10/2019 Akana D11/12
D879,644 S 3/2020 Deng et al.
D879,645 S 3/2020 Lin
D894,032 S * 8/2020 Devaney D11/3
D896,677 S * 9/2020 Wang D11/3
D909,904 S 2/2021 Koyama
D922,894 S * 6/2021 Akana D11/5
D929,884 S * 9/2021 Yi D11/3
D934,101 S * 10/2021 Akana D11/13
D934,715 S * 11/2021 Akana D11/3
D940,583 S * 1/2022 Akana D11/5
2017/0086533 A1* 3/2017 Chen A44C 11/00

* cited by examiner

Primary Examiner — Llorellys Martinez
(74) *Attorney, Agent, or Firm* — Rumit R. Kanakia

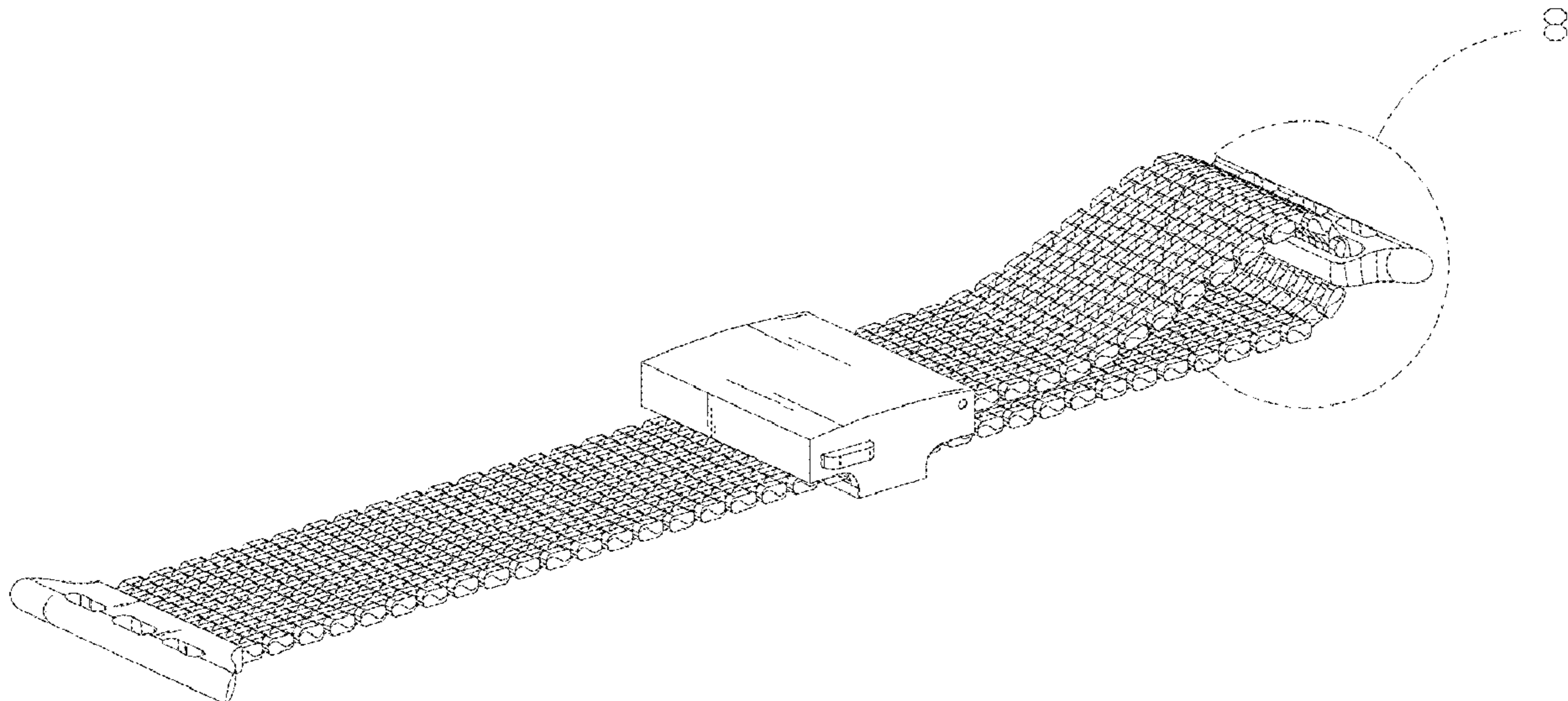
(57) **CLAIM**

The ornamental design for a watchband, as shown and described.

DESCRIPTION

FIG. 1 is a perspective view of a watchband showing my new design;
FIG. 2 is a top view thereof;
FIG. 3 is a left side view thereof;
FIG. 4 is a front view thereof;
FIG. 5 is a right side view thereof;
FIG. 6 is a back view thereof;
FIG. 7 is a bottom view thereof; and,
FIG. 8 is an enlarged view thereof, taken from encircled portion 8 in FIG. 1.
The dot-dash broken lines of FIG. 8 are included to show a partially enlarged view only and form no part of the claimed design. The broken lines in the drawings illustrate portions of the watchband that form no part of the claimed design.

1 Claim, 8 Drawing Sheets



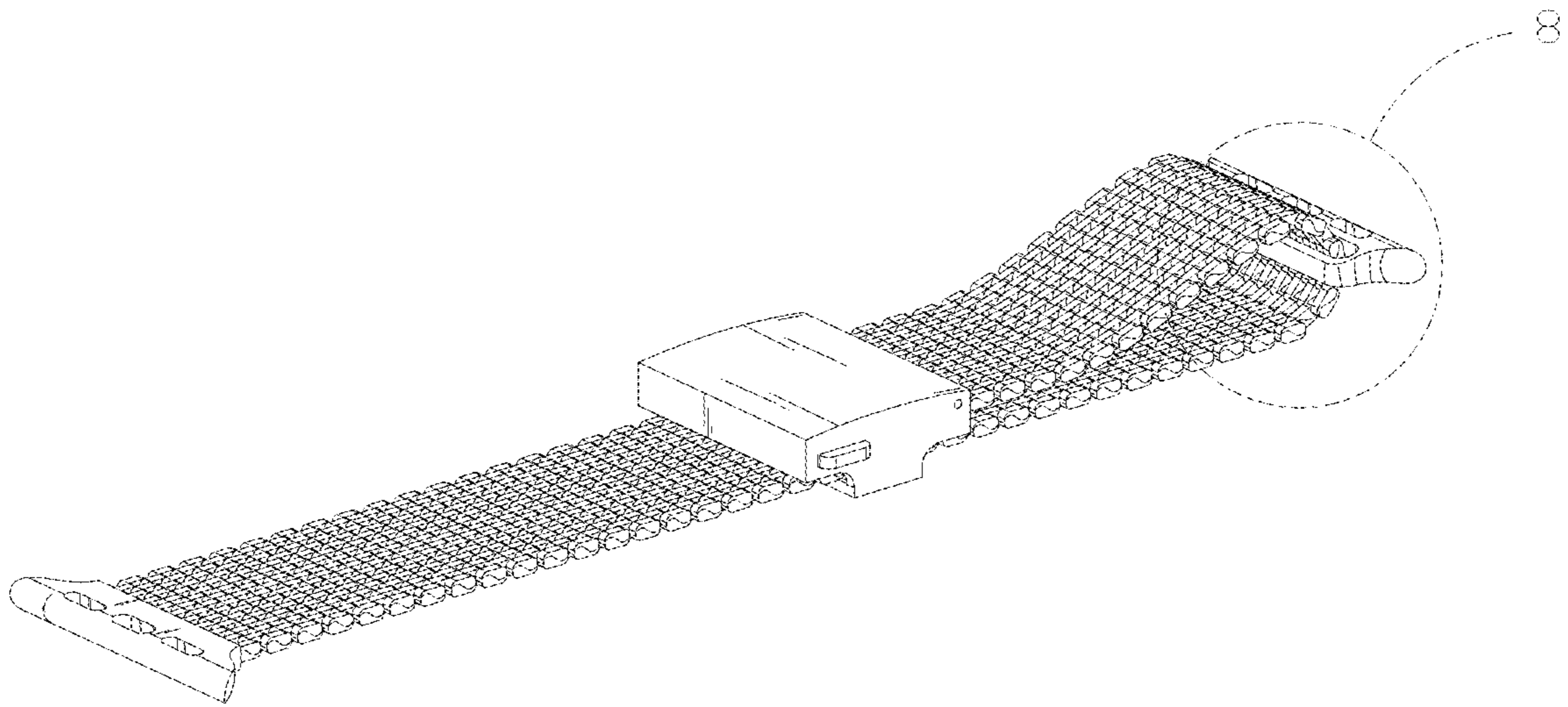


FIG. 1

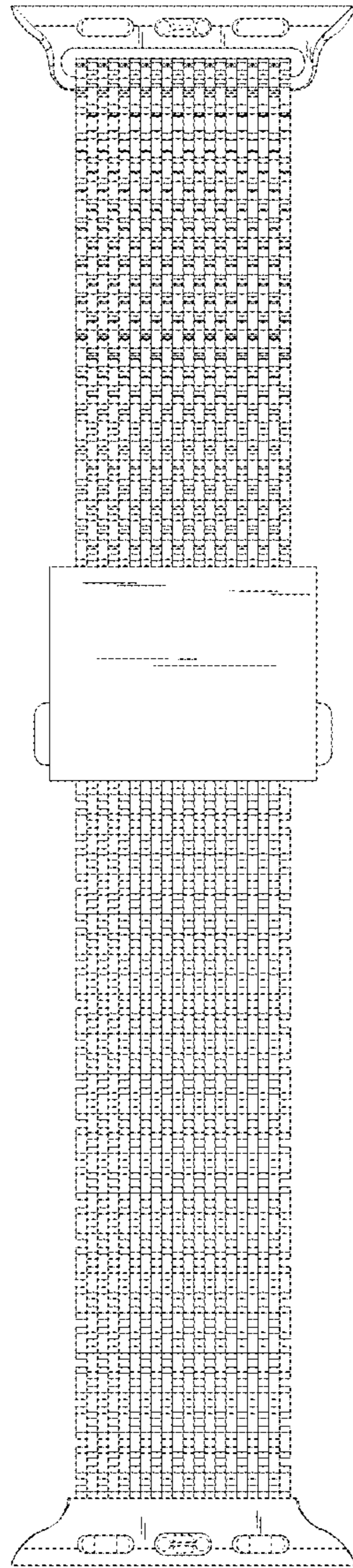


FIG. 2

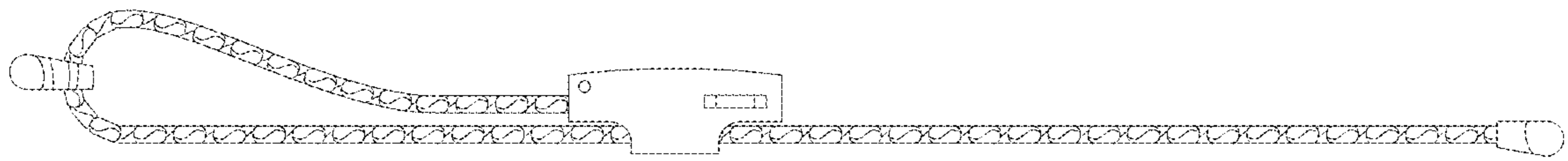


FIG. 3

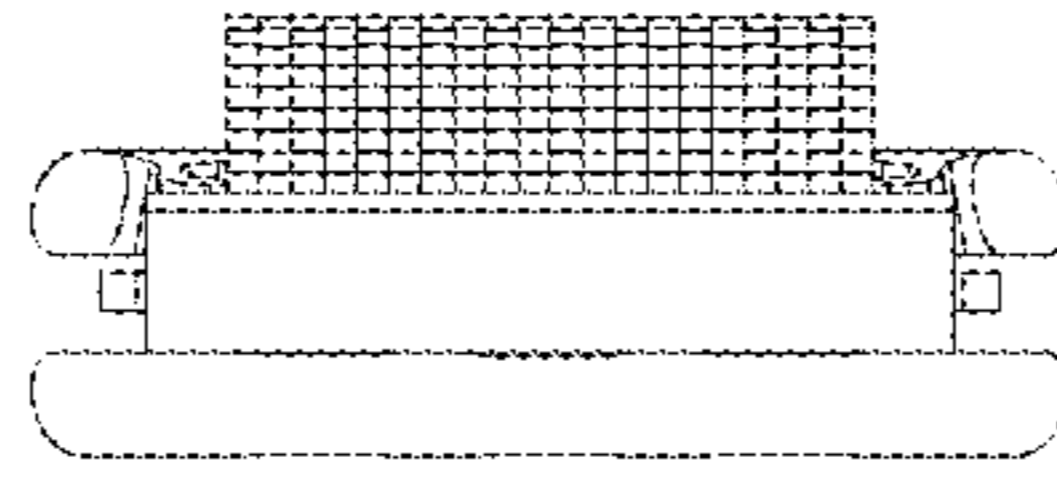


FIG. 4

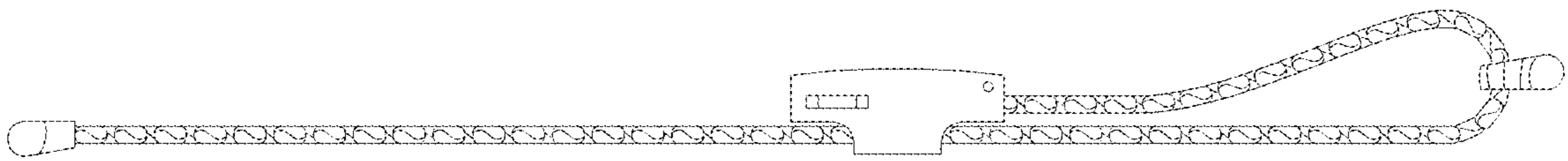


FIG. 5

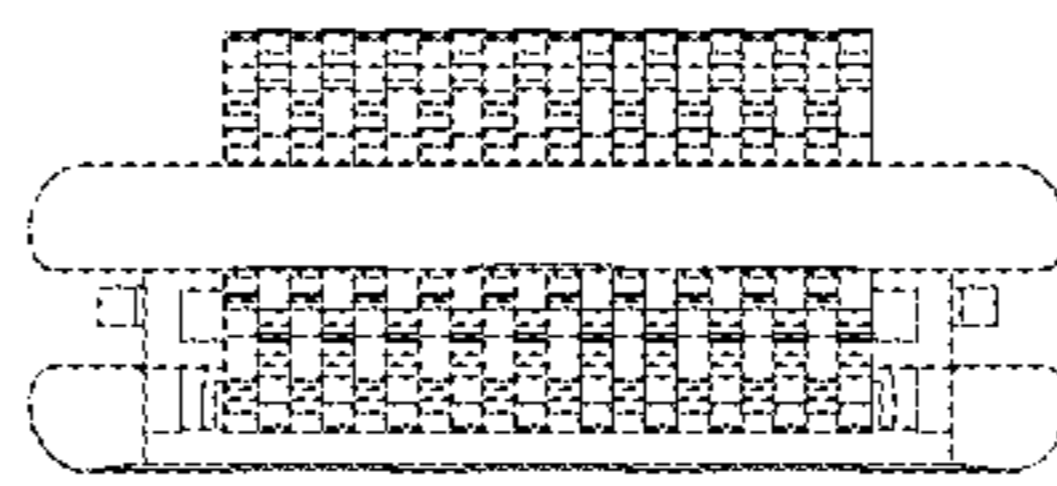


FIG. 6

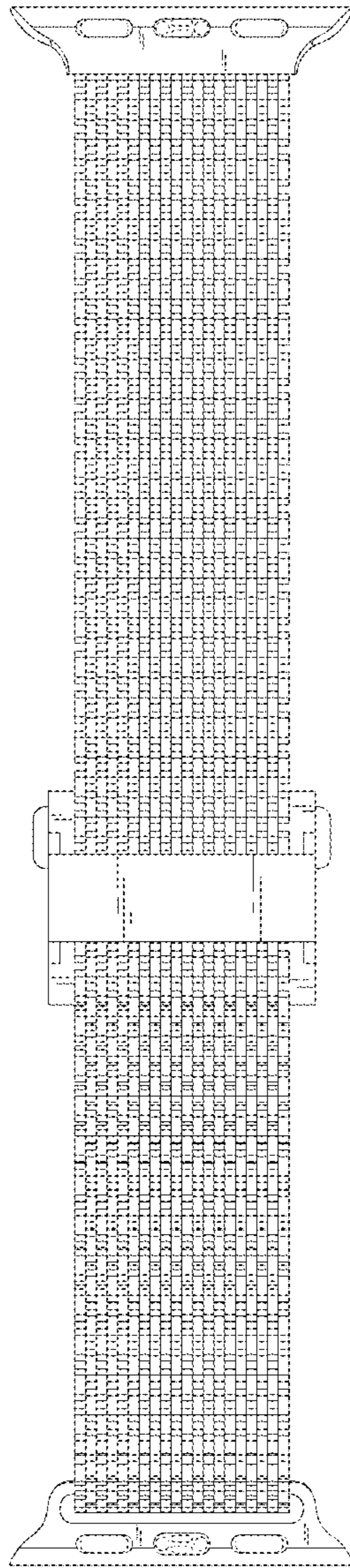


FIG. 7

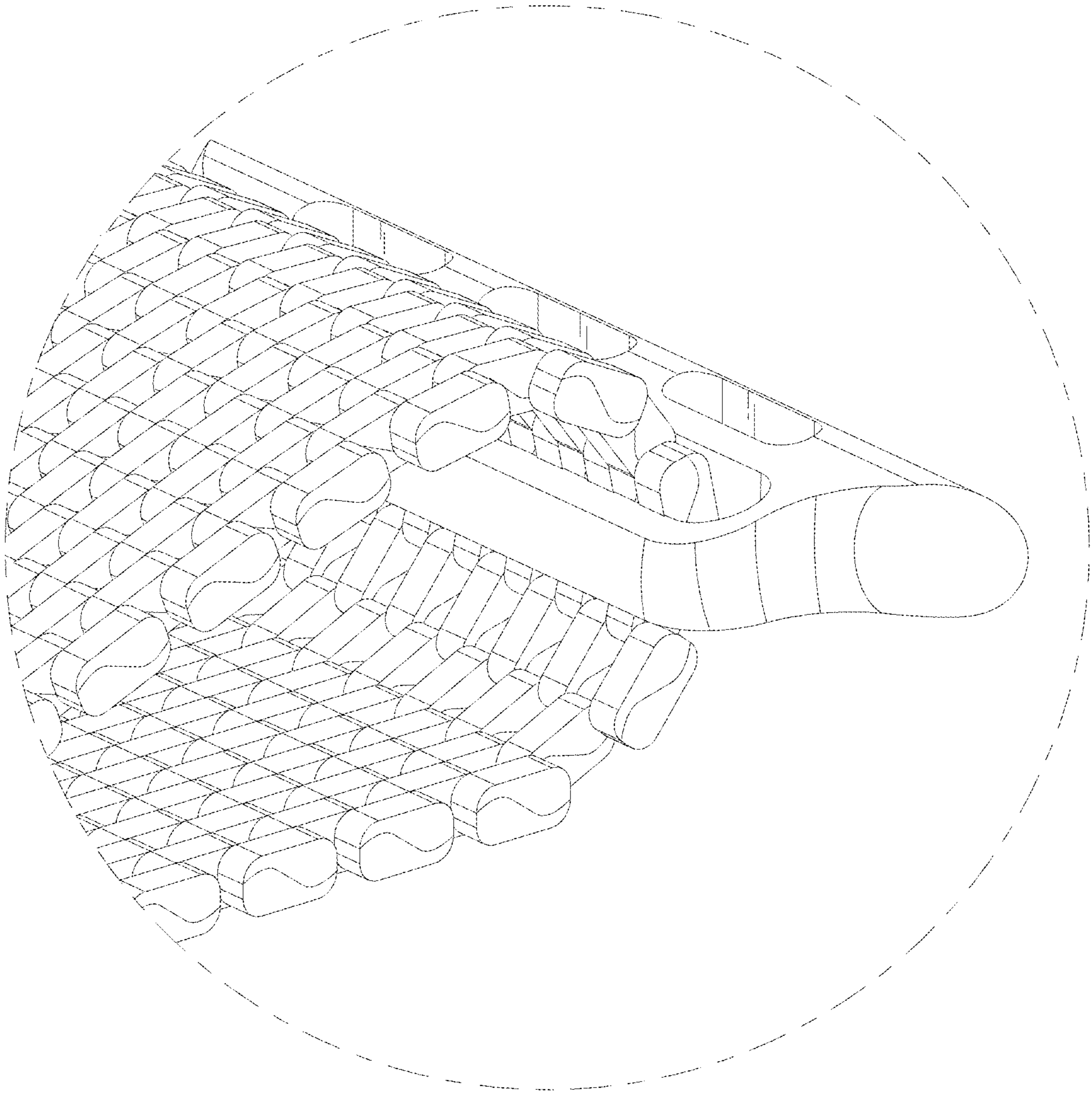


FIG. 8