



US00D971052S

(12) **United States Design Patent** (10) **Patent No.:** **US D971,052 S**
Bolthausen (45) **Date of Patent:** **** Nov. 29, 2022**

(54) **WATCH DIAL**
(71) Applicant: **RICHEMONT INTERNATIONAL SA**, Villars-sur-Glâne (CH)
(72) Inventor: **Philipp Bolthausen**, Geneva (CH)
(73) Assignee: **Richemont International SA**, Villars-sur-Glâne (CH)
(**) Term: **15 Years**
(21) Appl. No.: **29/825,669**
(22) Filed: **Feb. 3, 2022**

D552,491 S ‡ 10/2007 Vidal D10/38
D565,971 S ‡ 4/2008 Peraldi
D577,613 S ‡ 9/2008 Rochat
D578,023 S ‡ 10/2008 Rochat
D586,250 S ‡ 2/2009 Rochat
D586,683 S ‡ 2/2009 Pitton D10/126
D795,116 S * 8/2017 Kamilindi D10/123
D815,134 S * 4/2018 Kim D10/126
D834,980 S ‡ 12/2018 Le Bot
D840,844 S ‡ 2/2019 Le Bot
D848,863 S ‡ 5/2019 Le Bot
D856,164 S * 8/2019 Berneron D10/39
D856,165 S * 8/2019 Berneron D10/39
D856,824 S ‡ 8/2019 Berneron D10/39
D858,313 S ‡ 9/2019 Berneron D10/30

(Continued)

Related U.S. Application Data

(62) Division of application No. 35/510,819, filed on Aug. 20, 2020 (U.S. filing date under 35 U.S.C. 384), and having an international filing date of Aug. 20, 2020, now Pat. No. Des. 947,684.
(51) **LOC (13) Cl.** **10-07**
(52) **U.S. Cl.**
USPC **D10/123**
(58) **Field of Classification Search**
USPC D10/30, 39, 122-124, 128
CPC G04B 37/04
See application file for complete search history.

FOREIGN PATENT DOCUMENTS

EM 300786611 9/2007
GB 80765970001000 8/2011

(Continued)

Primary Examiner — George D. Kirschbaum
(74) *Attorney, Agent, or Firm* — Fross Zelnick Lehrman & Zissu, P.C.; Charles T. J. Weigell, Esq.

(57) **CLAIM**

The ornamental design for a watch dial, as shown and described.

DESCRIPTION

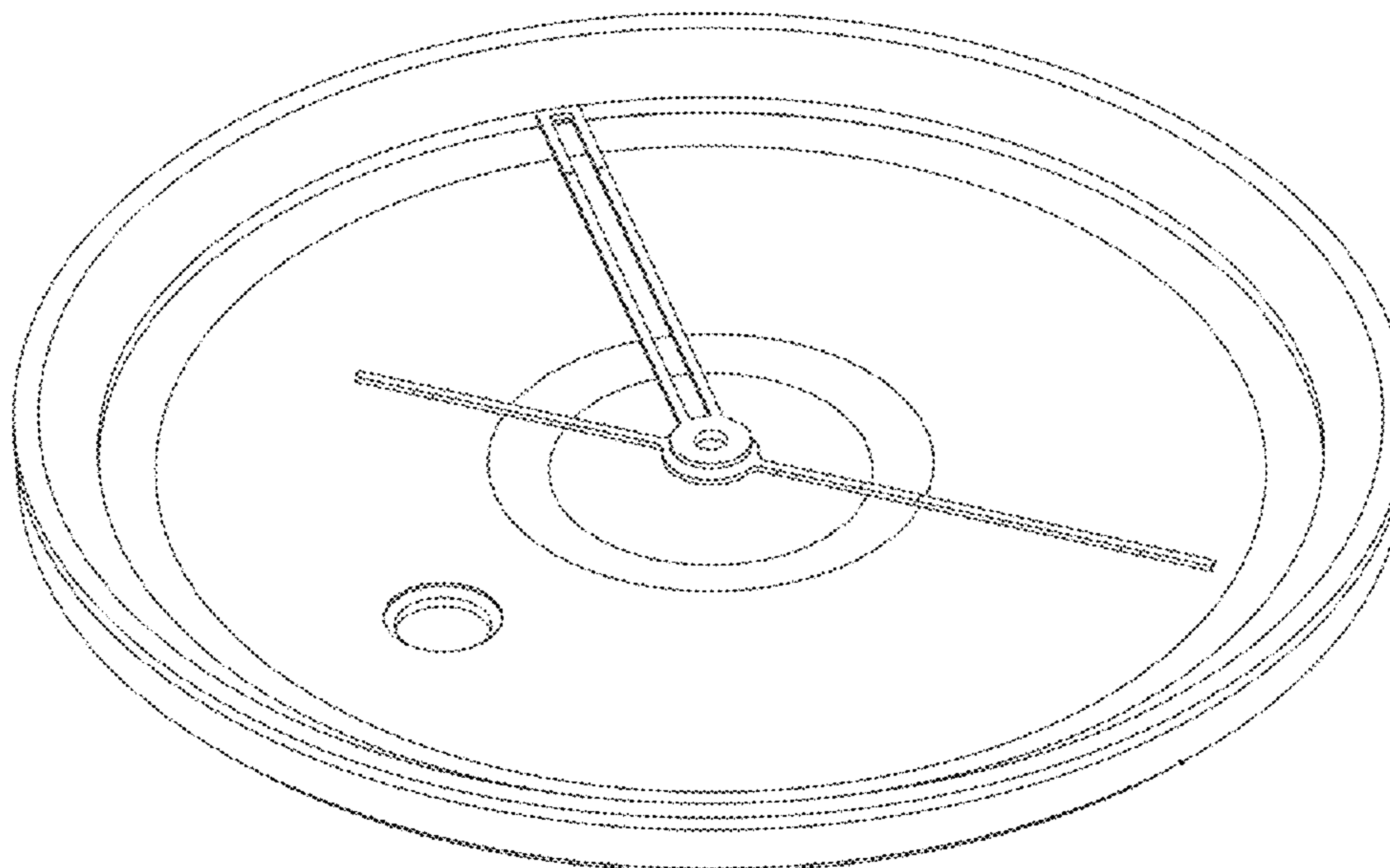
FIG. 1 is a perspective view of a watch dial showing my new design;
FIG. 2 is a front view thereof;
FIG. 3 is back view thereof;
FIG. 4 is a left side view thereof;
FIG. 5 is a right side view thereof;
FIG. 6 is a top view thereof; and,
FIG. 7 is a bottom view thereof.

1 Claim, 6 Drawing Sheets

(56) **References Cited**

U.S. PATENT DOCUMENTS

D59,740 S ‡ 11/1921 Gruen D10/39
D69,291 S ‡ 1/1926 Tannenbaum D10/36
D284,744 S * 7/1986 Torrini D10/122
D301,693 S ‡ 6/1989 Canta D10/126
D302,797 S ‡ 8/1989 Glauser
D360,142 S ‡ 7/1995 Polenberg D10/30
D415,696 S ‡ 10/1999 Bodino
D417,158 S ‡ 11/1999 Krauss D10/30
D545,910 S ‡ 7/2007 Peraldi



(56)

References Cited

U.S. PATENT DOCUMENTS

D858,339 S	9/2019	Tinguely	
D866,353 S	11/2019	Tinguely	
D874,947 S *	2/2020	Berneron	D10/39
D878,220 S *	3/2020	Legeay	D10/39
D880,332 S	4/2020	Charrier	
D881,724 S	4/2020	Charrier	
D912,557 S *	3/2021	Kaneko	D10/122
D944,677 S *	3/2022	Tinguely	D10/123

FOREIGN PATENT DOCUMENTS

GB	80765970002000	8/2011
GB	80765970003000	8/2011
GB	80987860009000	11/2017
GB	82016550008000	12/2018
WO	DM/007546	10/1985
WO	DM/021266	4/1991
WO	DM/065285	4/2004
WO	DM/065397	12/2004
WO	DM/068759	3/2007
WO	DM/069372	9/2007
WO	DM/069761	11/2008
WO	DM/074602	10/2010
WO	DM/076597	8/2011
WO	DM/095134	3/2017
WO	DM/096387	6/2017
WO	DM/098710	11/2017
WO	DM/100846	4/2018
WO	DM/201654	12/2018
WO	DM/201655	12/2018

* cited by examiner

‡ imported from a related application

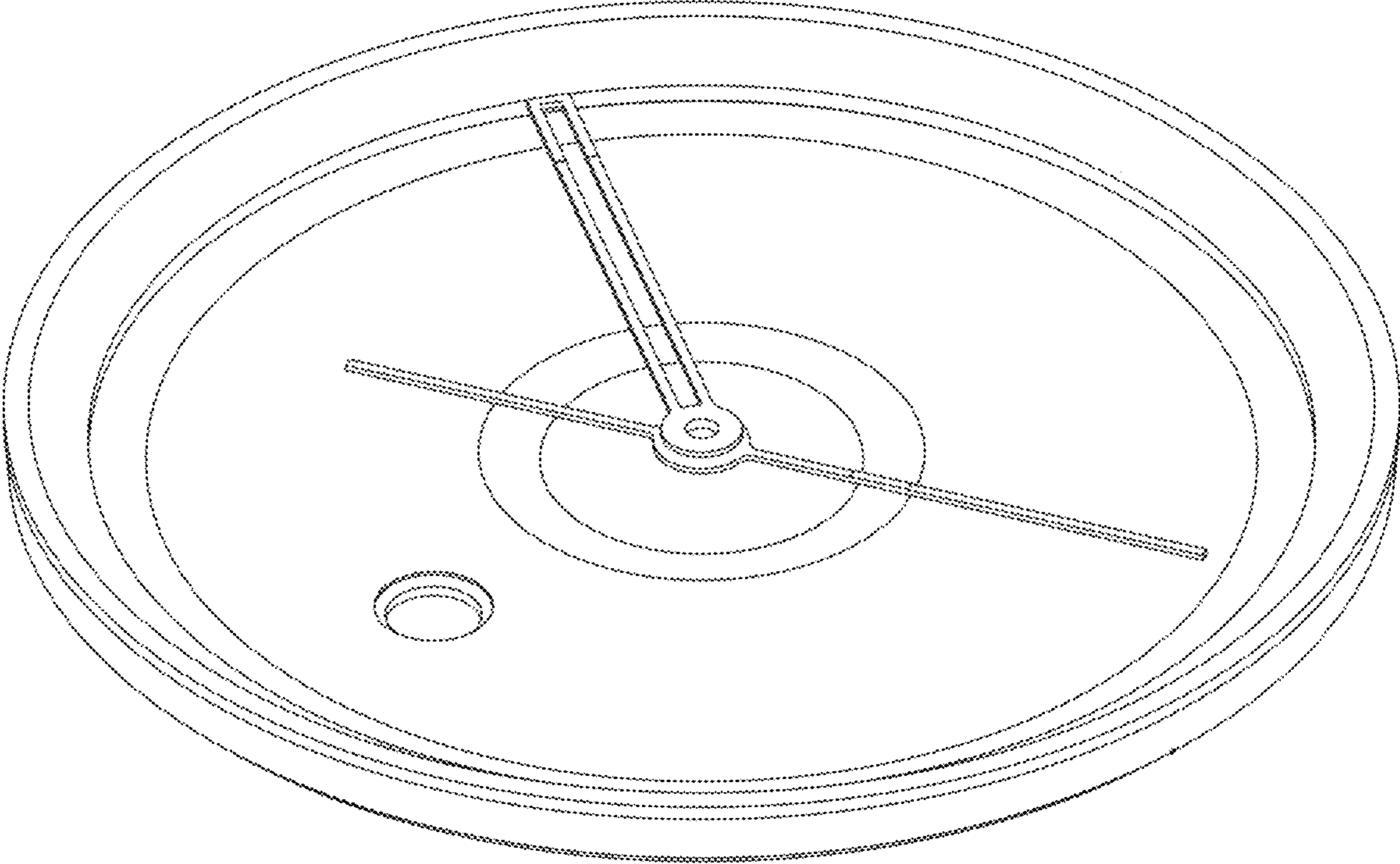


FIG. 1

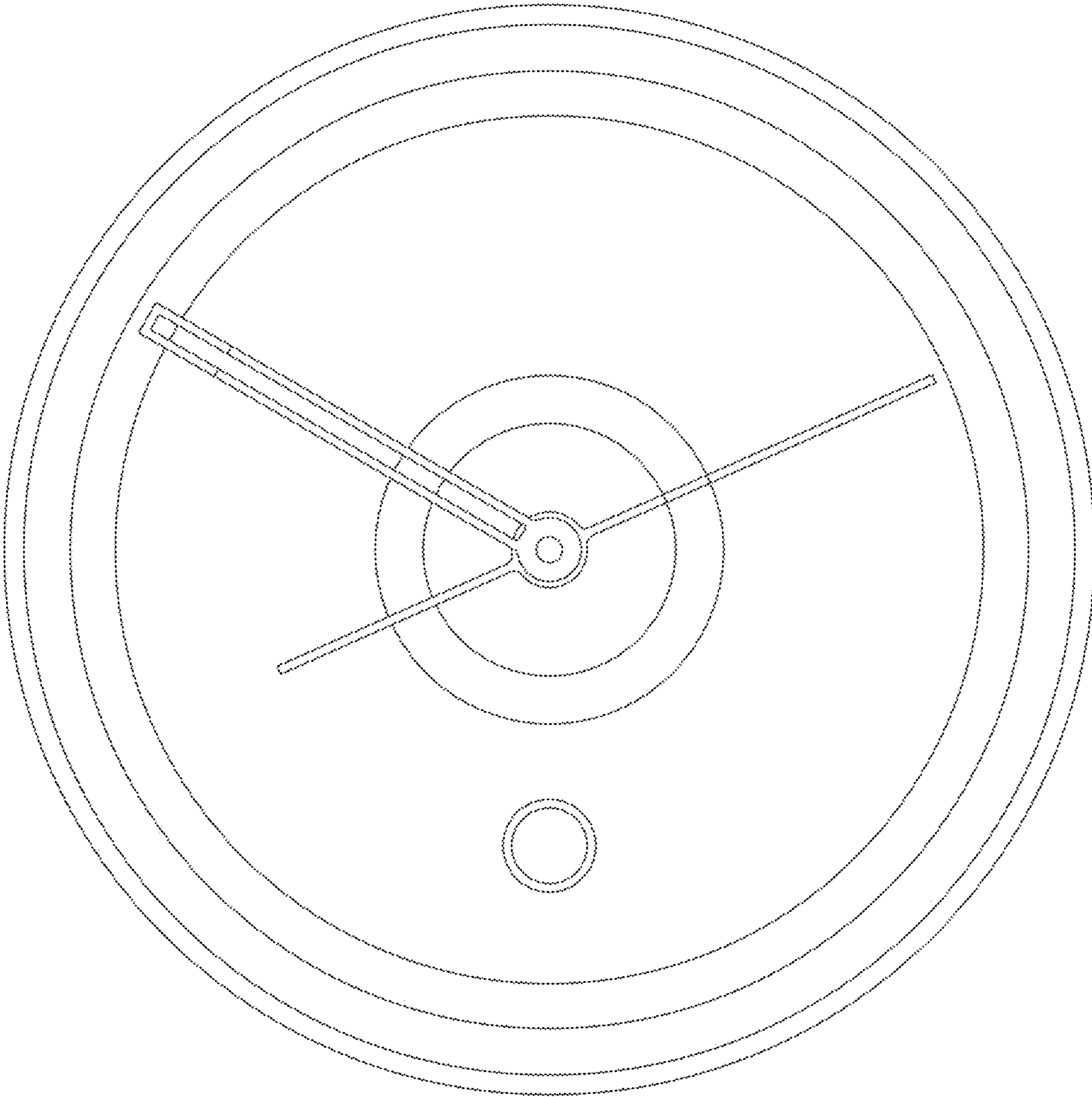


FIG. 2

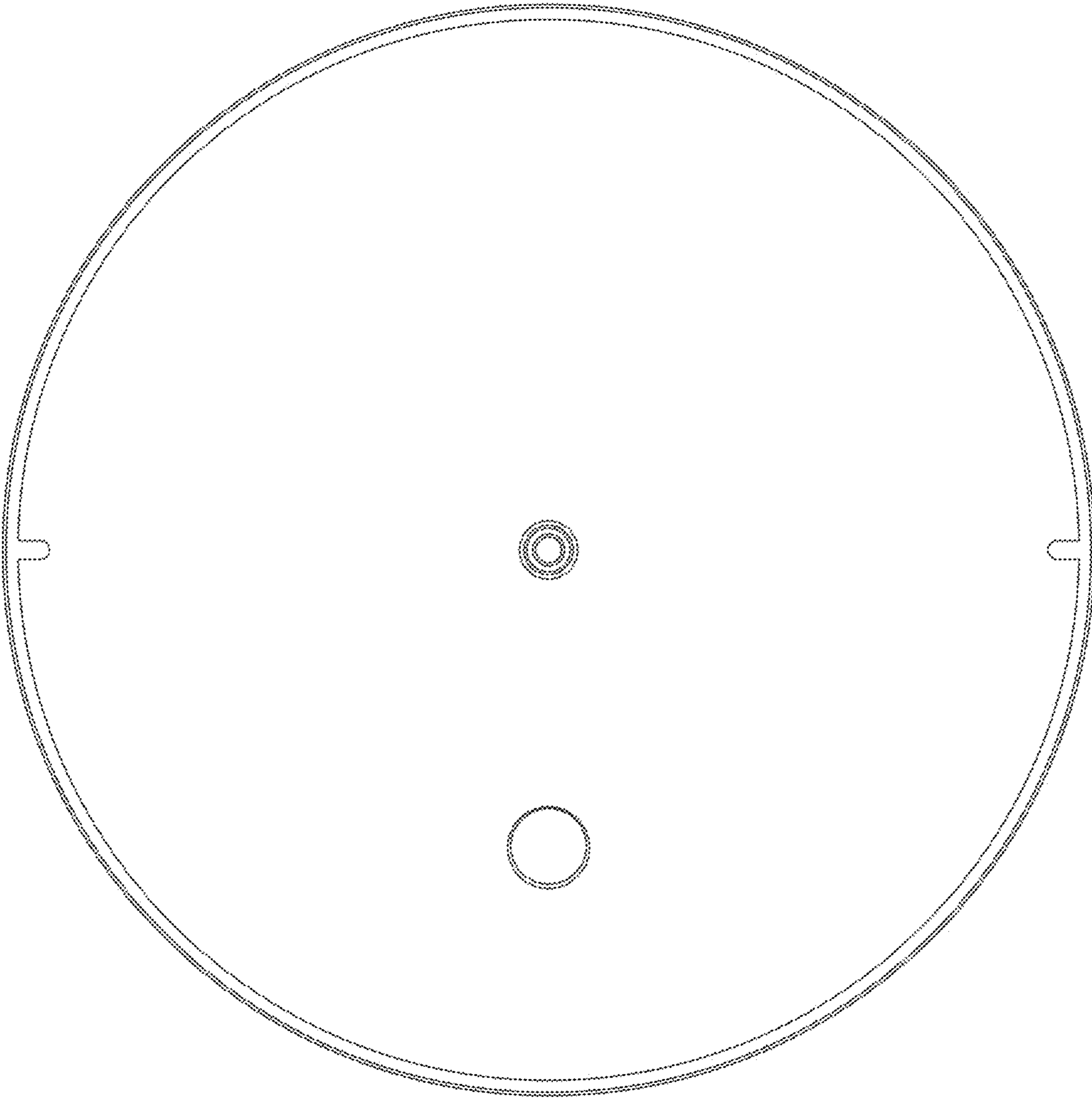


FIG. 3

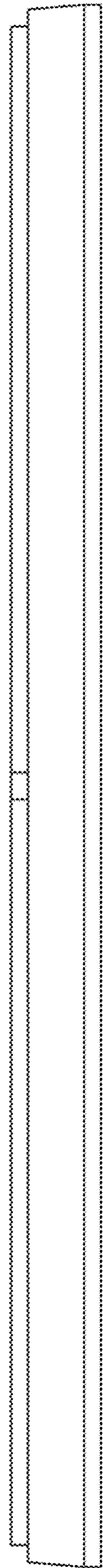


FIG. 4

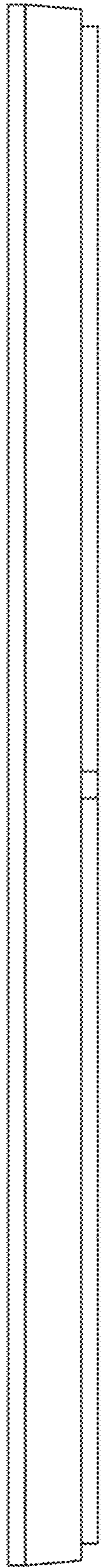


FIG. 5

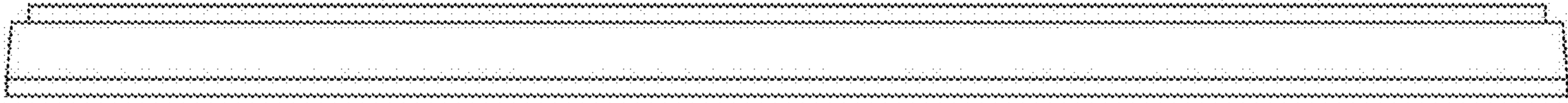


FIG. 6

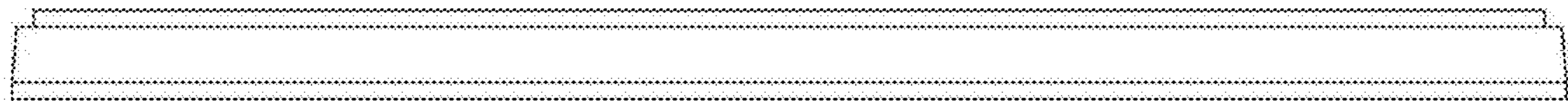


FIG. 7