



US00D971051S

(12) **United States Design Patent** (10) **Patent No.:** **US D971,051 S**
Thorne (45) **Date of Patent:** **** Nov. 29, 2022**

(54) **DOORBELL MOUNT** 6,488,256 B1 * 12/2002 Chang B23D 51/02
248/680
(71) Applicant: **SimpliSafe, Inc.**, Boston, MA (US) D502,720 S 3/2005 Egnoto et al.
D555,123 S 11/2007 Mehandjiysky et al.
(72) Inventor: **Scott Joseph Thorne**, Cambridge, MA (US) (Continued)

FOREIGN PATENT DOCUMENTS

(73) Assignee: **SimpliSafe, Inc.**, Boston, MA (US) EM 002911404-0001 7/2017
EM 007488739-0001 1/2020
(**) Term: **15 Years** (Continued)

OTHER PUBLICATIONS

(21) Appl. No.: **29/771,095**
(22) Filed: **Feb. 19, 2021**
(51) **LOC (13) Cl.** **10-05**
(52) **U.S. Cl.**
USPC **D10/118.2**
(58) **Field of Classification Search**
USPC D10/106.6, 106.7, 106.8, 116.1, 118,
D10/118.1, 118.2, 121-124, 126;
D13/171, 174; D14/358; D16/202, 203,
D16/208, 209, 215
CPC . A63H 30/00; G08B 3/00; G08B 3/10; G08B
7/00; G08B 7/06; G08B 13/1436; G08B
13/1463; G08B 13/1481; G10K 1/00;
G10K 1/07; G10K 1/10; G10K 1/63;
G10K 3/00; G10K 9/00
See application file for complete search history.

No-Drill Mount (2020 release), reviewed on Sep. 20, 2020 on amazon.com, retrieved from internet Aug. 10, 2020. <URL:https://www.amazon.com/No-Drill-Mount-Ring-Video-Doorbell/dp/B086F27DQF/ref=sr_1_1_sspa> (Year: 2020).*

Primary Examiner — Joseph Kukella
Assistant Examiner — Heather Ann Laaveg Wencil
(74) *Attorney, Agent, or Firm* — Wolf, Greenfield & Sacks, P.C.

(57) **CLAIM**

The ornamental design for doorbell mount, as shown and described.

DESCRIPTION

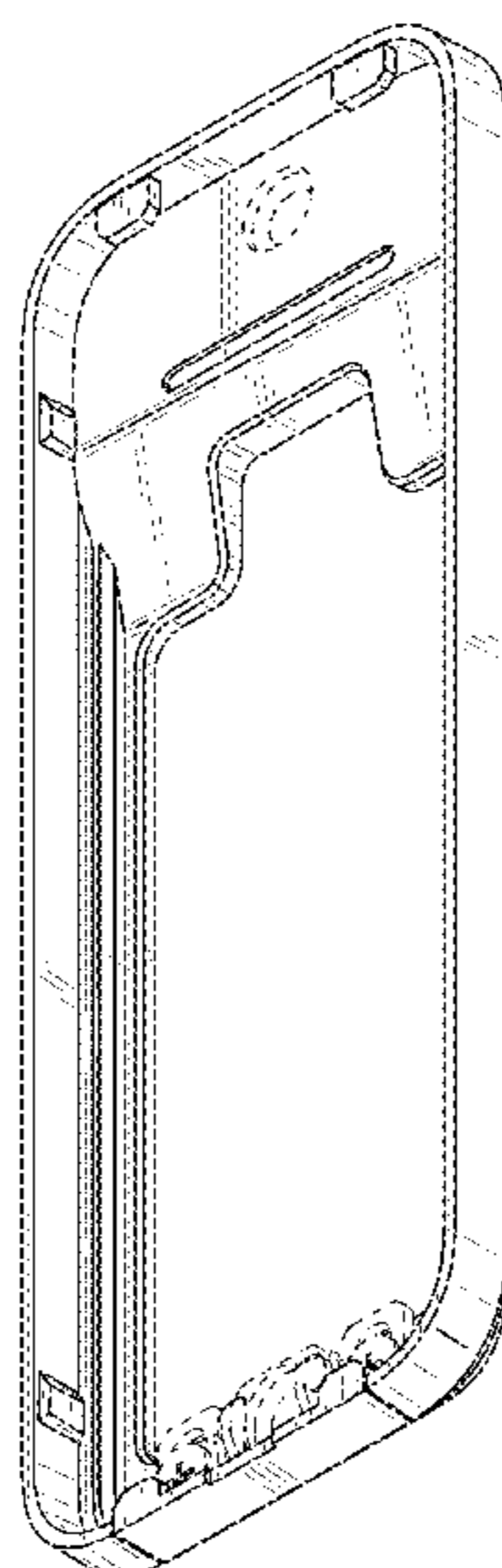
(56) **References Cited**

U.S. PATENT DOCUMENTS

3,040,926 A * 6/1962 Palmer H02G 3/126
220/3.9
4,857,669 A * 8/1989 Kitamura H02G 3/18
174/53
5,041,698 A * 8/1991 Takagi H02G 3/14
174/66
D411,219 S 6/1999 Sumita
D450,337 S 11/2001 Hamamura
D453,176 S 1/2002 Akiyama et al.
D464,664 S 10/2002 Huang
D466,142 S 11/2002 Lin et al.

FIG. 1 shows a lower front right perspective view of a mount portion of the doorbell mount;
FIG. 2 shows an upper rear right perspective view thereof.
FIG. 3 shows a front view thereof;
FIG. 4 shows a rear view thereof;
FIG. 5 shows a left side view thereof;
FIG. 6 shows a right side view thereof;
FIG. 7 shows a top view thereof; and,
FIG. 8 shows a bottom view thereof.
In the drawings, the broken lines depict environmental subject matter that forms no part of the claimed design.

1 Claim, 3 Drawing Sheets



(56)

References Cited

U.S. PATENT DOCUMENTS

D561,225 S 2/2008 Miyahara
D569,405 S 5/2008 Ota et al.
D589,072 S 3/2009 Morisawa
D606,500 S * 12/2009 Snyder D13/174
D612,882 S 3/2010 Kim et al.
D694,198 S * 11/2013 Felegy, Jr. H02G 3/18
D714,742 S * 10/2014 Chambers E05D 15/063
D743,467 S 11/2015 Bhattacharya
D747,386 S 1/2016 Li
D788,834 S 6/2017 Bhattacharya et al.
D795,940 S 8/2017 Huang
D817,207 S 5/2018 Scalisi
D819,476 S 6/2018 Siminoff
D821,379 S * 6/2018 Cramer H02G 3/126
D822,520 S 7/2018 Siminoff et al.
D13/174
D13/168
D14/250

D828,201 S 9/2018 Jeong
D829,585 S 10/2018 Siminoff et al.
D830,871 S 10/2018 Siminoff et al.
D830,872 S 10/2018 Jacob et al.
D833,313 S 11/2018 Siminoff et al.
D850,442 S 6/2019 Yamazaki et al.
D854,958 S 7/2019 Siminoff et al.
D858,603 S 9/2019 Ye
D860,029 S 9/2019 Yang
D866,380 S 11/2019 Siminoff et al.
D875,158 S 2/2020 Wang et al.
D892,661 S 8/2020 Siminoff et al.
2010/0212233 A1 * 8/2010 Robinson E05D 15/063
2017/0272269 A1 * 9/2017 Siminoff H04M 11/025
52/29

FOREIGN PATENT DOCUMENTS

EM 008651798-003 * 8/2021
GB 4037288 9/2014

* cited by examiner

FIG. 1

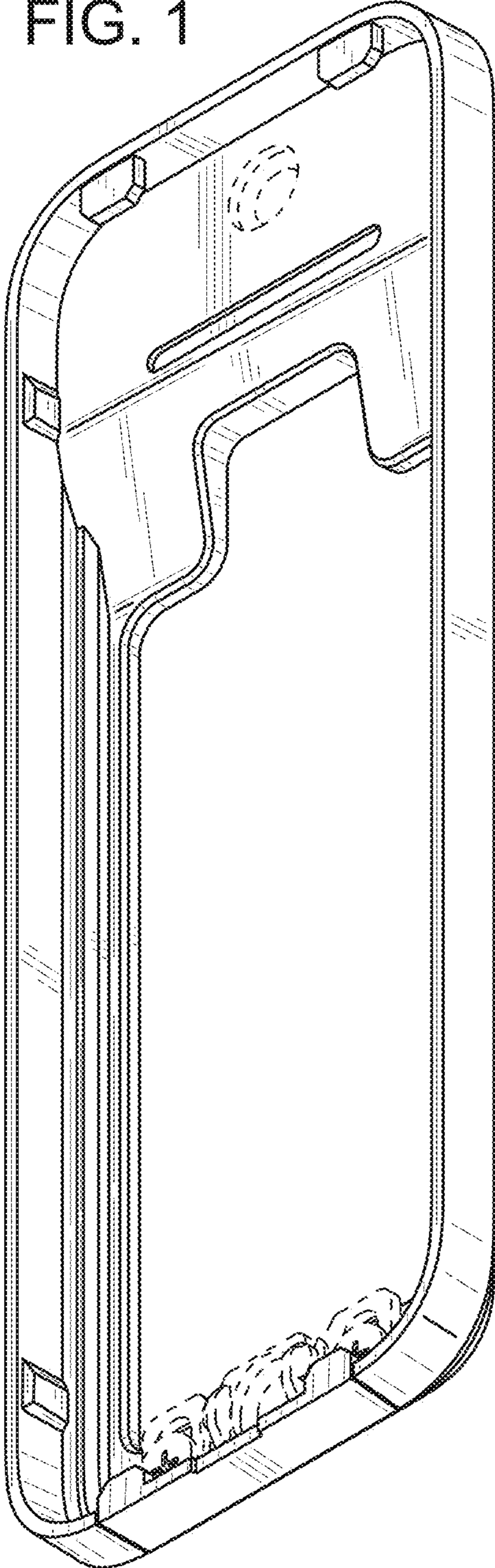


FIG. 2

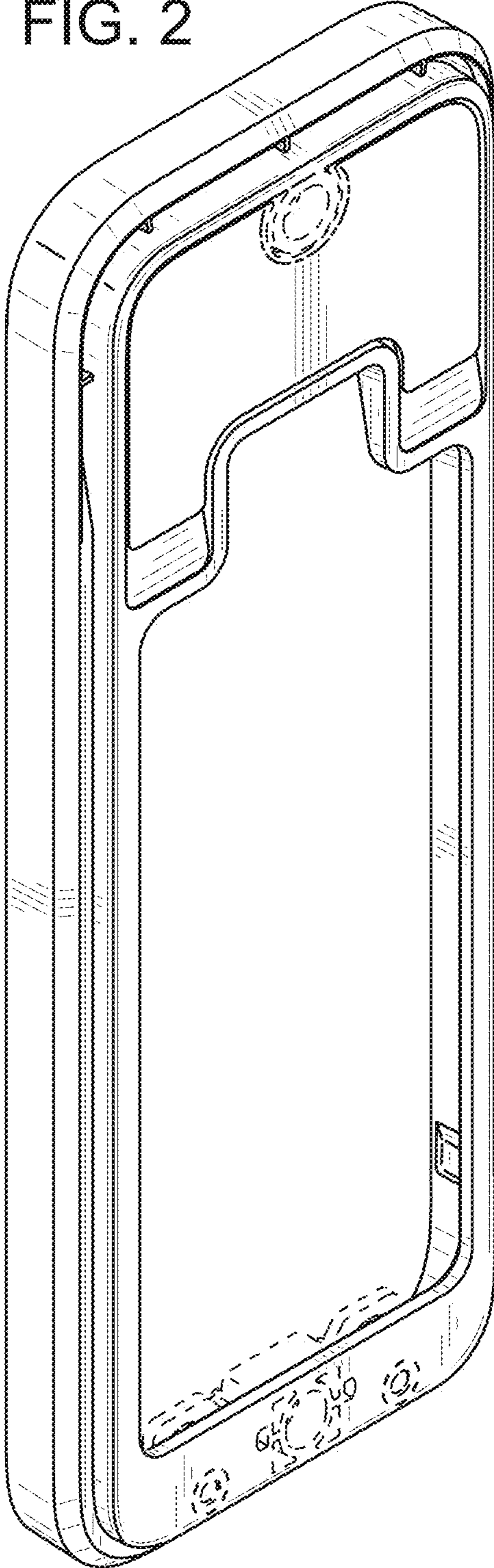


FIG. 3

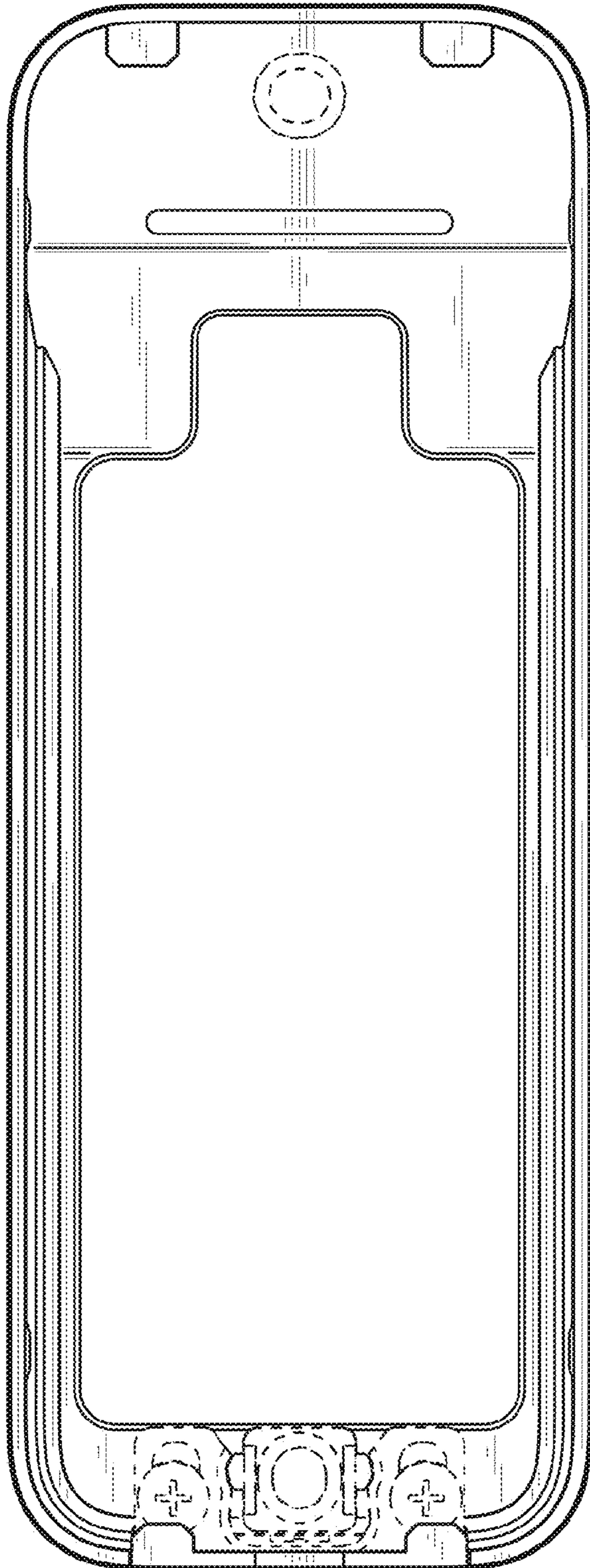


FIG. 4

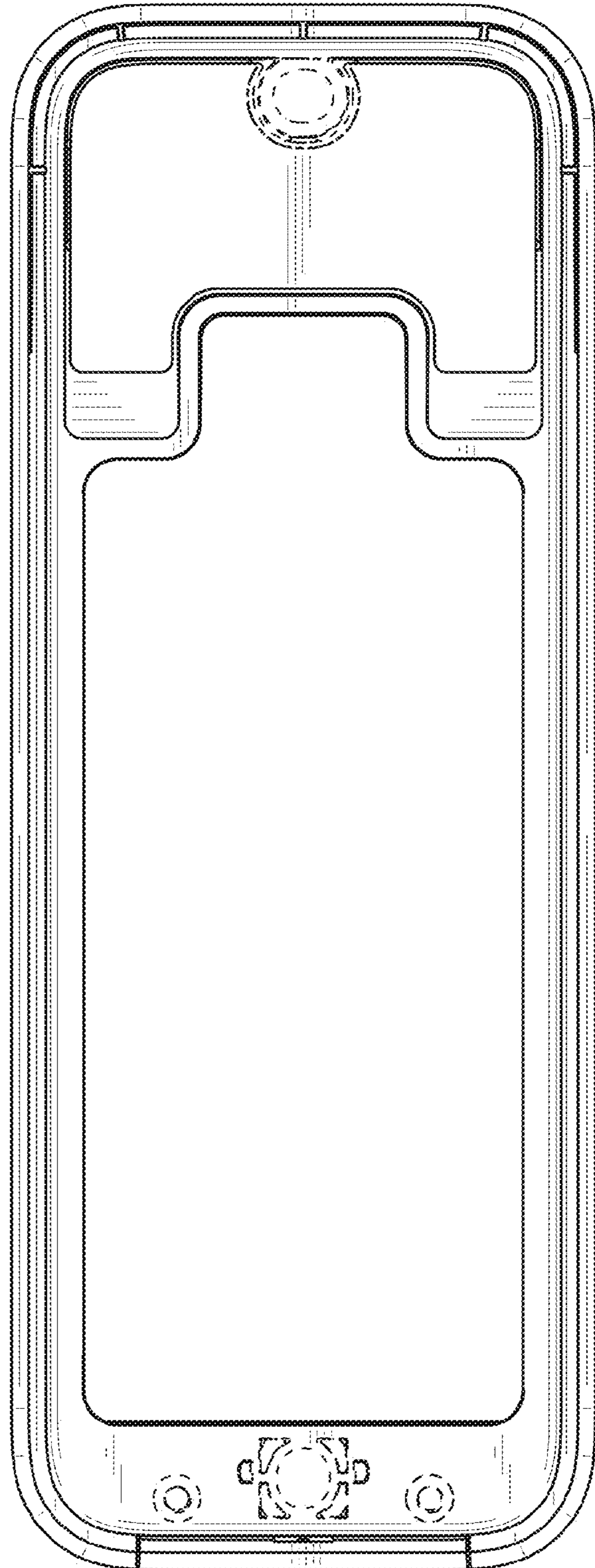


FIG. 5

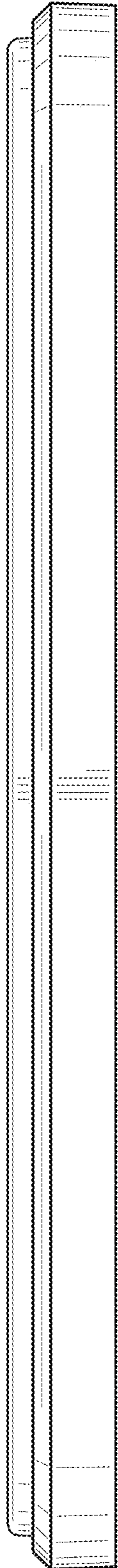


FIG. 6

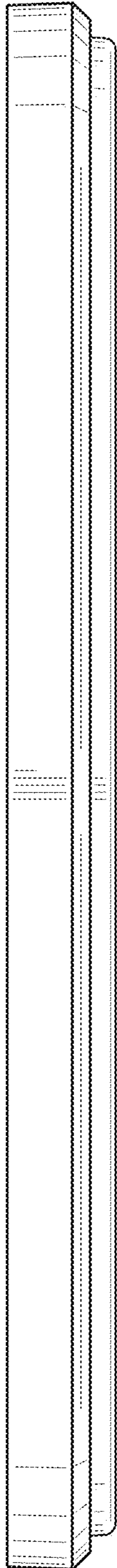


FIG. 7

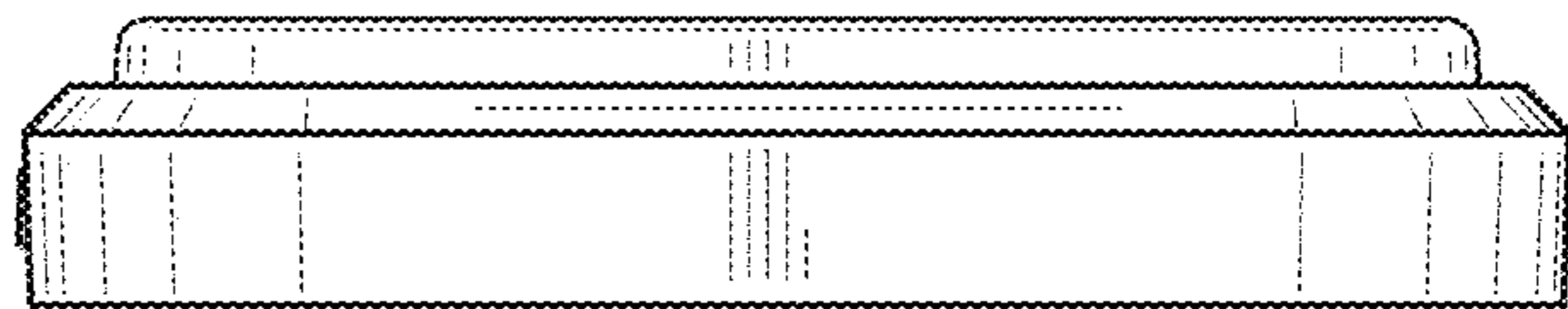


FIG. 8

