



US00D971046S

(12) **United States Design Patent**
Ogura

(10) **Patent No.:** **US D971,046 S**

(45) **Date of Patent:** **** Nov. 29, 2022**

(54) **OPERATING PANEL FOR ELEVATOR**

(71) Applicant: **Mitsubishi Electric Corporation,**
Tokyo (JP)

(72) Inventor: **Toshihisa Ogura,** Tokyo (JP)

(73) Assignee: **Mitsubishi Electric Corporation,**
Tokyo (JP)

(**) Term: **15 Years**

(21) Appl. No.: **29/753,444**

(22) Filed: **Sep. 30, 2020**

(30) **Foreign Application Priority Data**

Apr. 6, 2020 (JP) 2020-007209 D

(51) **LOC (13) Cl.** **10-05**

(52) **U.S. Cl.**
USPC **D10/108**

(58) **Field of Classification Search**
USPC D10/108, 106.95; D14/307, 491;
D13/164, 174
See application file for complete search history.

(56) **References Cited**

U.S. PATENT DOCUMENTS

D363,247 S *	10/1995	Raymond	D10/108
D546,724 S *	7/2007	Zemp	D10/108
D587,699 S *	3/2009	Corti	D14/307
D587,700 S *	3/2009	Corti	D14/307
D615,896 S *	5/2010	Rusanen	D10/108
D663,642 S *	7/2012	Saikawa	D13/174
D673,511 S *	1/2013	Saikawa	D13/164
D674,352 S *	1/2013	Saikawa	D13/164
D674,353 S *	1/2013	Saikawa	D13/164
D678,098 S *	3/2013	Saikawa	D13/164
D678,795 S *	3/2013	Saikawa	D13/164
D679,210 S *	4/2013	Saikawa	D13/164
D679,619 S *	4/2013	Saikawa	D13/164

D681,493 S *	5/2013	Saikawa	D13/164
D696,601 S *	12/2013	Saikawa	D13/164
D699,142 S *	2/2014	Saikawa	D13/164
D701,785 S *	4/2014	Saikawa	D10/108
D703,670 S *	4/2014	Rotsaert	D14/307
D705,688 S *	5/2014	Saikawa	D13/164
D705,689 S *	5/2014	Saikawa	D13/164
D721,661 S *	1/2015	Lofberg	D13/174
D732,695 S *	6/2015	Saikawa	D25/37
D880,327 S *	4/2020	Costabile	D10/108

(Continued)

FOREIGN PATENT DOCUMENTS

JP 1529027 S 7/2016

Primary Examiner — George D. Kirschbaum

(74) *Attorney, Agent, or Firm* — Studebaker & Brackett
PC

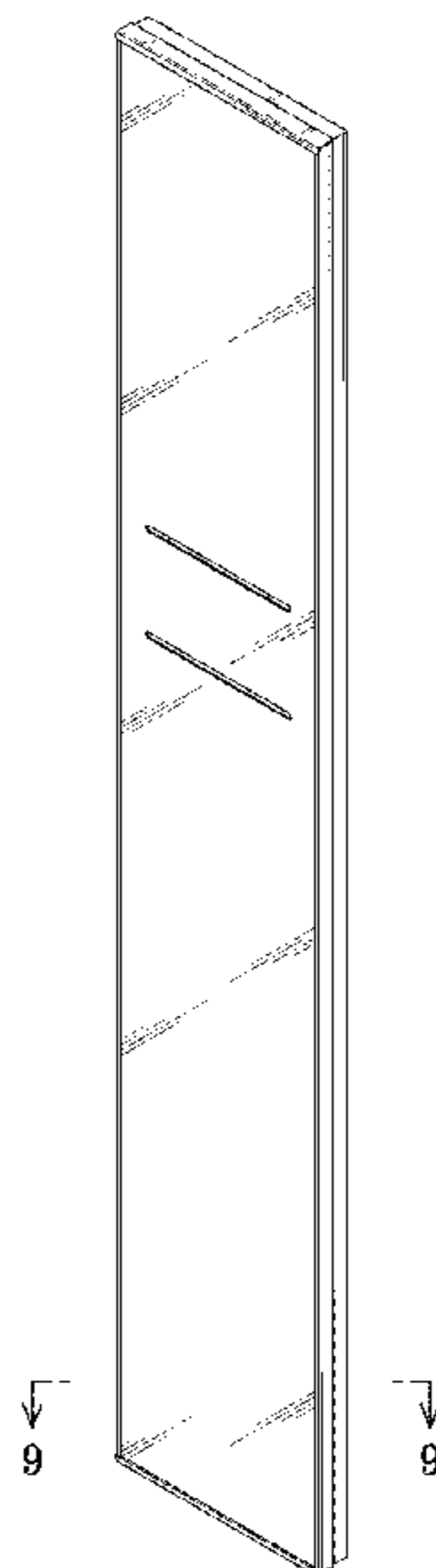
(57) **CLAIM**

The ornamental design for an operating panel for elevator, as shown and described.

DESCRIPTION

FIG. 1 is a perspective view of an operating panel for elevator, showing my new design;
FIG. 2 is a front view thereof;
FIG. 3 is a rear view thereof;
FIG. 4 is a left side view thereof;
FIG. 5 is a right side view thereof;
FIG. 6 is a top view thereof;
FIG. 7 is a bottom view thereof;
FIG. 8 is an enlarged cross-sectional view thereof; taken along line 8-8 of FIG. 2 and cutting part at 8-8 of FIG. 6;
FIG. 9 is a partially enlarged view of FIG. 1; and,
FIG. 10 is a front view of the design shown in use.
The broken line showing of an elevator car in FIG. 9 is included for the purpose of illustrating portions of the “article” and forms no part of the claimed design.

1 Claim, 10 Drawing Sheets



(56)

References Cited

U.S. PATENT DOCUMENTS

D923,667 S *	6/2021	Mochizuki	D15/89
D941,694 S *	1/2022	Costabile	D10/108
D949,037 S *	4/2022	Kollros	D10/108
D949,728 S *	4/2022	Kollros	D10/108
D949,729 S *	4/2022	Kollros	D10/108
D957,278 S *	7/2022	Kollros	D10/108

* cited by examiner

Fig.1

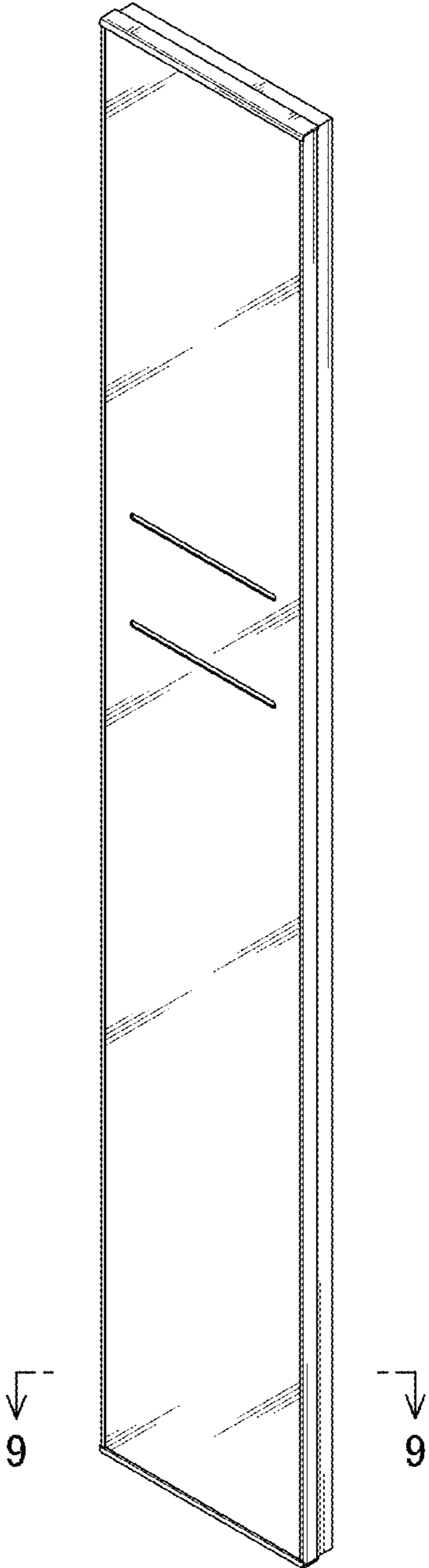


Fig.2

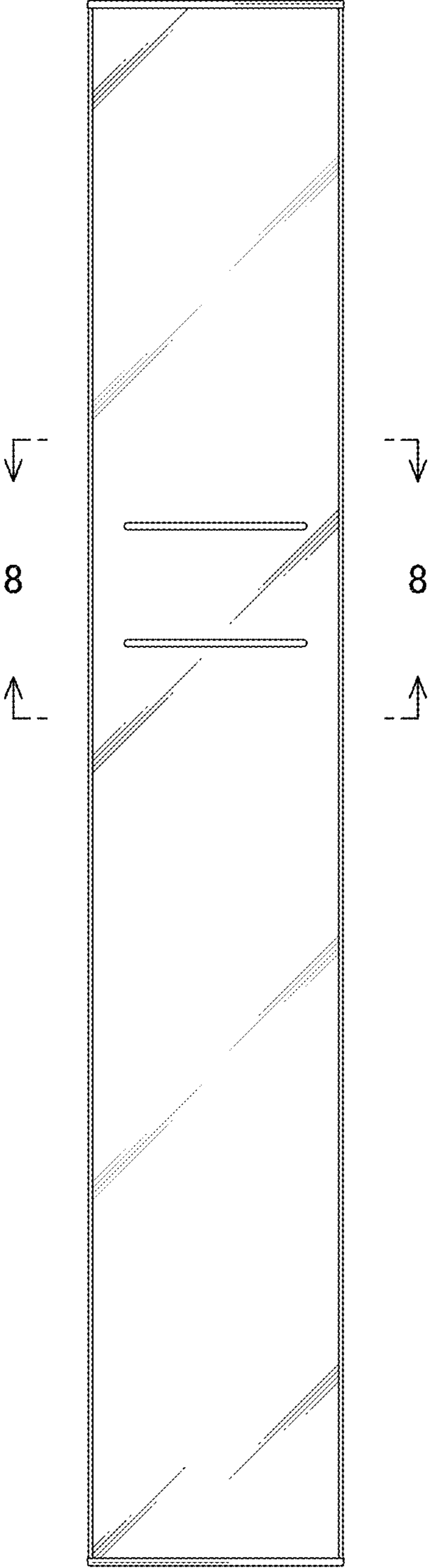


Fig.3

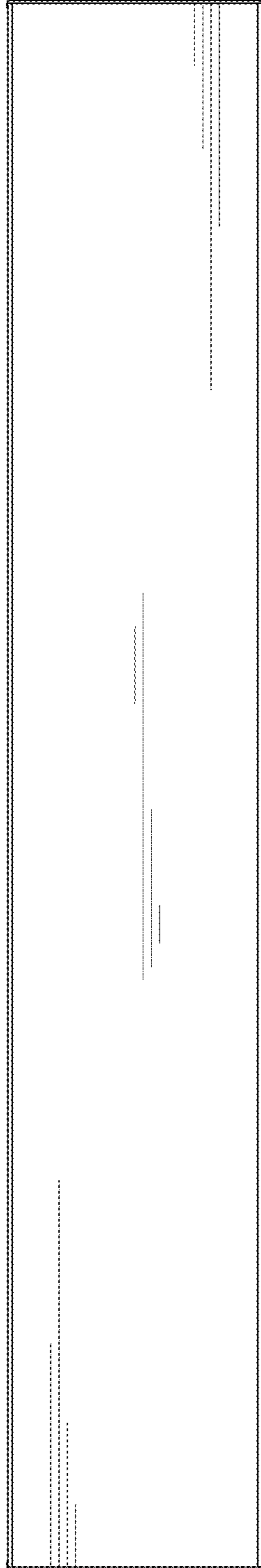


Fig.4

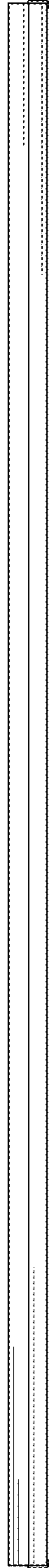


Fig.5



Fig.6

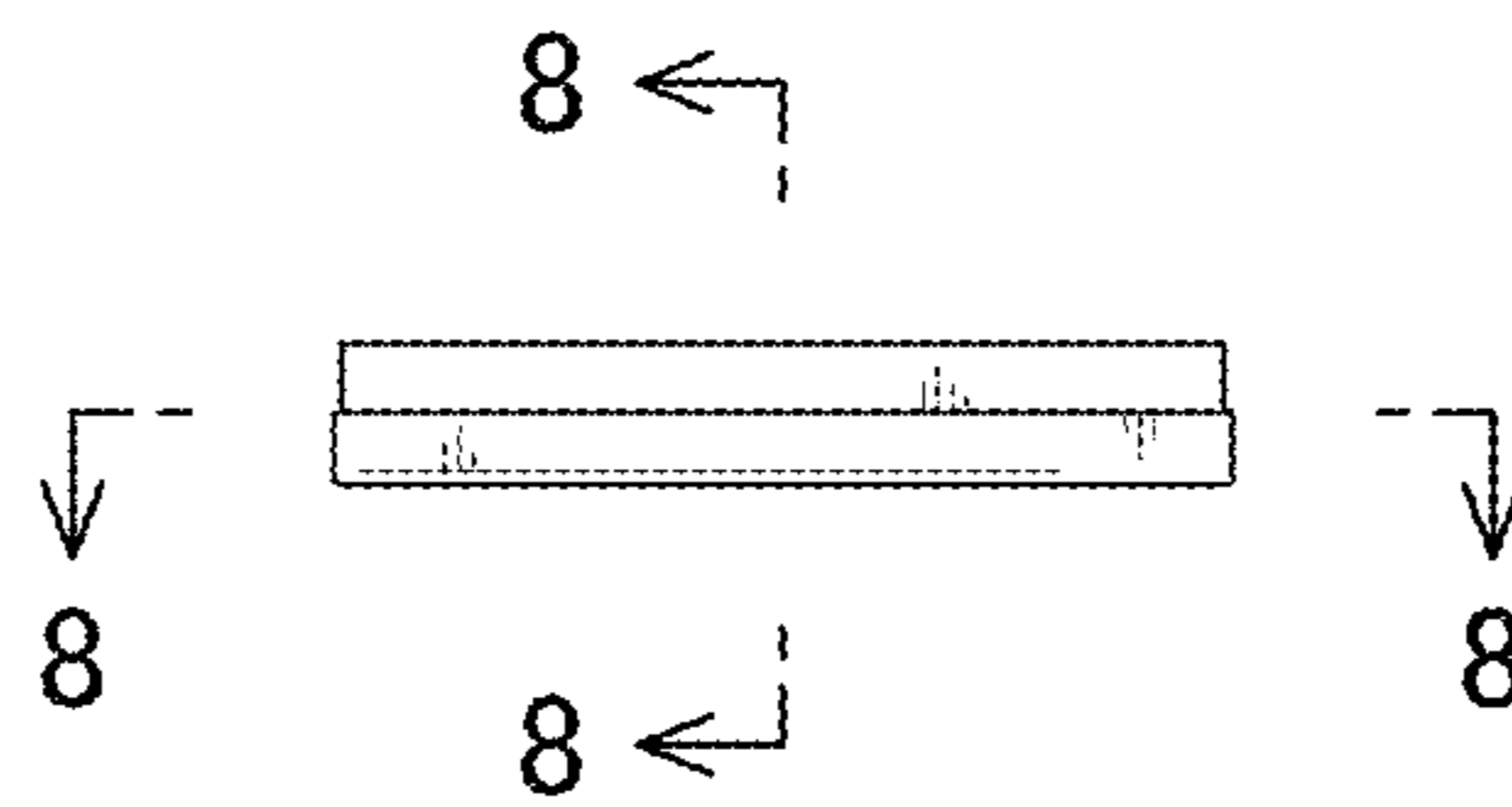


Fig.7

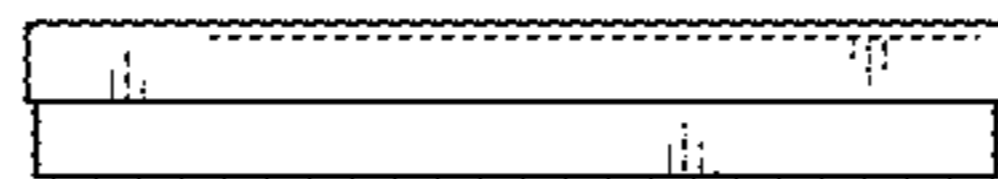


Fig.8



Fig.9

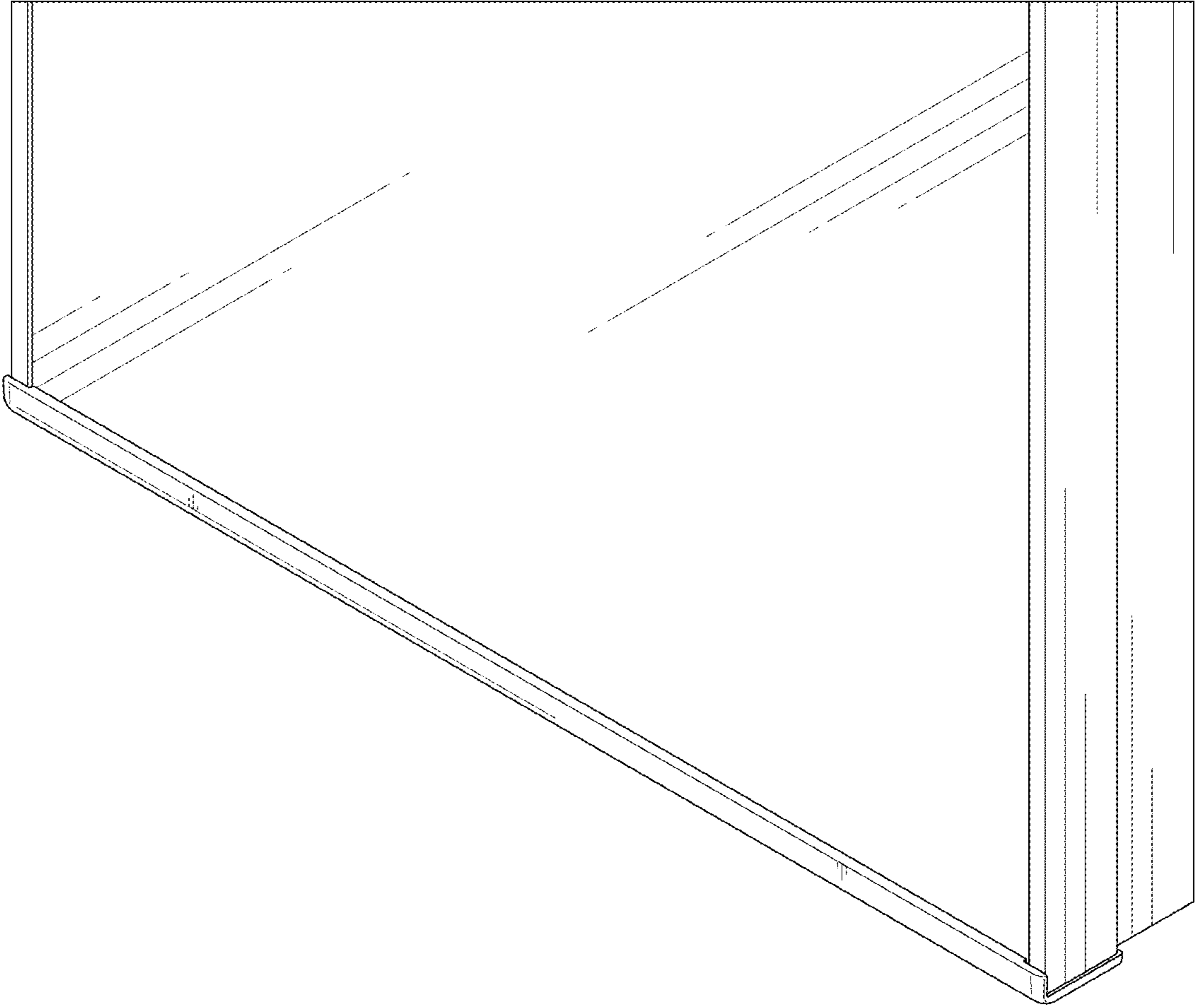


Fig.10

