



US00D971042S

(12) **United States Design Patent**
Thorne et al.

(10) **Patent No.:** **US D971,042 S**

(45) **Date of Patent:** **** Nov. 29, 2022**

(54) **SMOKE DETECTOR**

FOREIGN PATENT DOCUMENTS

(71) Applicant: **SimpliSafe, Inc.**, Boston, MA (US)

CN 304187870 S 6/2017
CN 306420643 S 3/2021

(72) Inventors: **Scott Joseph Thorne**, Cambridge, MA (US); **Chaim Carmiel Futran**, Cambridge, MA (US); **Scott A. Conner**, Foxboro, MA (US); **Dirk Ahlgrim**, Boston, MA (US)

(Continued)

Primary Examiner — George D. Kirschbaum

Assistant Examiner — Lillian Windham

(74) *Attorney, Agent, or Firm* — Wolf, Greenfield & Sacks, P.C.

(73) Assignee: **SimpliSafe, Inc.**, Boston, MA (US)

(57) **CLAIM**
The ornamental design for a smoke detector, as shown and described.

(**) Term: **15 Years**

DESCRIPTION

(21) Appl. No.: **29/783,754**

FIG. 1 is a front view of the smoke detector;
FIG. 2 is a rear view thereof;
FIG. 3 is a left side view thereof;
FIG. 4 is a right side view thereof;
FIG. 5 is a top view thereof;
FIG. 6 is a bottom view thereof;
FIG. 7 is an inverted lower, front, right perspective view thereof;
FIG. 8 is an inverted lower, front, right perspective view thereof at a different angle than FIG. 7;
FIG. 9 is an upper, front, left perspective view thereof;
FIG. 10 is an inverted lower, front, right exploded view thereof having a detector body, an intermediate member and a detector mount separated from each other;
FIG. 11 is an upper, front, left exploded view thereof having the detector body, intermediate member and detector mount separated from each other;
FIG. 12 is an inverted lower, front, right exploded view thereof having the detector body and detector mount separated from each other; and,
FIG. 13 is an upper, front, left exploded view thereof having the detector body and detector mount separated from each other.
Features shown in dashed lines form no part of the claimed design.

(22) Filed: **May 14, 2021**

(51) **LOC (13) Cl.** **10-05**

(52) **U.S. Cl.**
USPC **D10/106.5**

(58) **Field of Classification Search**
USPC D10/104.1, 104.2, 106.2, 106.3, 106.5, D10/106.6, 106.7, 120, 121; D16/203
CPC G08B 17/107; G08B 17/11; G08B 29/043; G08B 17/00; G08B 17/10; G08B 29/145; G08B 17/103

See application file for complete search history.

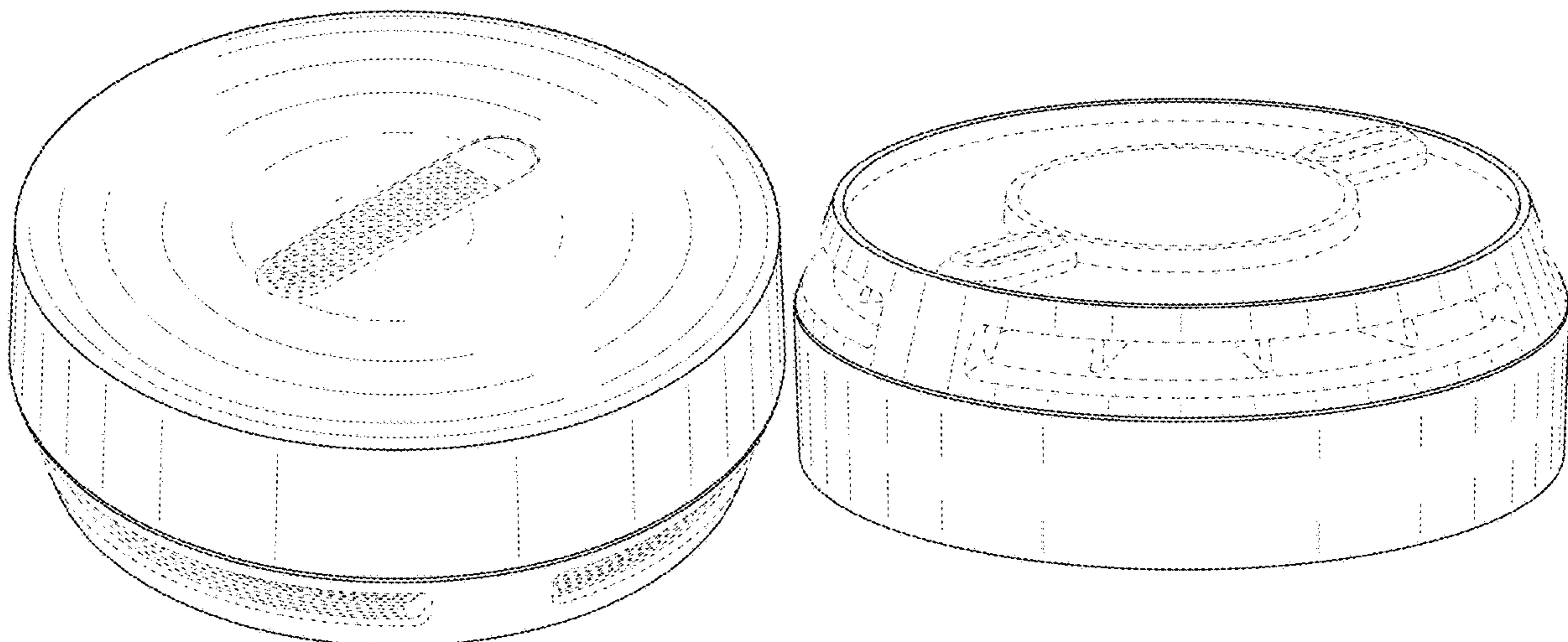
(56) **References Cited**

U.S. PATENT DOCUMENTS

D249,481 S *	9/1978	Conforti	D10/106.5
D249,482 S *	9/1978	Conforti	D10/106.5
D249,483 S *	9/1978	Conforti	D10/106.5
D254,188 S *	2/1980	Odom	D10/106.5
D260,975 S *	9/1981	Lam	D10/106.5
D271,670 S *	12/1983	Takai	D10/106.5
D283,407 S *	4/1986	Fenne	D10/106.5
D340,201 S	10/1993	Fenne et al.		
D360,374 S	7/1995	Anderson et al.		

(Continued)

1 Claim, 8 Drawing Sheets



(56)

References Cited

U.S. PATENT DOCUMENTS

D386,103 S 11/1997 Kawabata
 D422,521 S * 4/2000 Morrow D10/106.5
 D426,482 S 6/2000 Sakurai et al.
 D621,287 S * 8/2010 Kaneko D10/106.5
 D631,770 S * 2/2011 Killo D10/106.5
 D641,645 S 7/2011 Suzuki et al.
 D653,575 S 2/2012 Treharne et al.
 D675,948 S 2/2013 Kawaguchi et al.
 D700,095 S 2/2014 Dohi et al.
 9,013,317 B2 4/2015 Brigham et al.
 D743,465 S 11/2015 Aglassinger et al.
 D746,165 S * 12/2015 Li D10/104.1
 D746,166 S * 12/2015 Li D10/104.1
 D747,229 S * 1/2016 Perez D10/104.1
 D757,587 S * 5/2016 Li D10/106.6
 D765,531 S * 9/2016 Li D10/120
 D771,512 S * 11/2016 Kalyan D10/106.5
 D785,473 S * 5/2017 Zhao D10/106.6
 D811,257 S 2/2018 Kalyan
 D811,917 S 3/2018 Bhat

D813,072 S 3/2018 Kalyan
 D884,536 S * 5/2020 Liu D10/106.5
 D885,224 S 5/2020 Liu
 D885,225 S * 5/2020 Liu D10/106.5
 D887,300 S 6/2020 Fujiwara et al.
 D895,465 S * 9/2020 Loew D10/106.6
 11,359,941 B1 * 6/2022 Futran G01D 11/245

FOREIGN PATENT DOCUMENTS

EM 002163550-0001 S 1/2013
 EM 002163550-0002 S 1/2013
 EM 002163550-0003 S 1/2013
 EM 002163550-0004 S 1/2013
 EM 002163550-0005 S 1/2013
 EM 002163550-0006 S 1/2013
 JP D1347237 S 12/2008
 JP D1621800 S 1/2020
 TW 065021 S 2/1985
 TW D127242 S 11/2010
 TW D211107 S 4/2021

* cited by examiner

FIG. 1

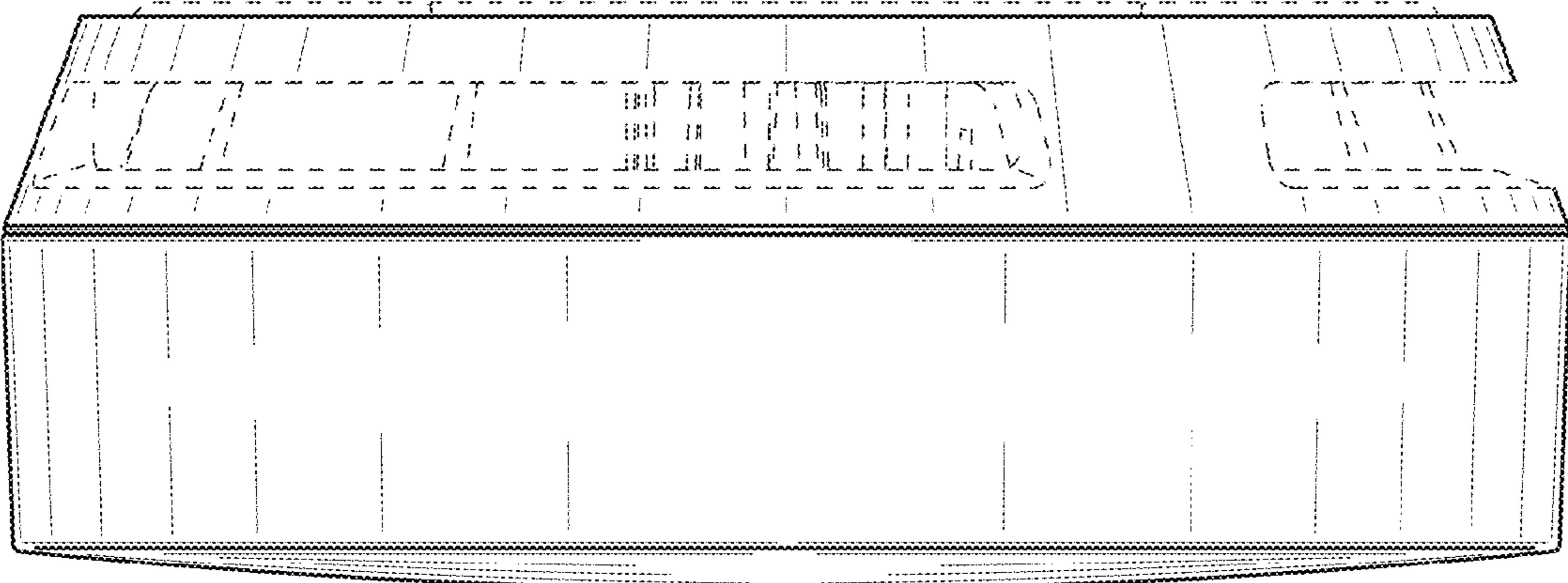


FIG. 2

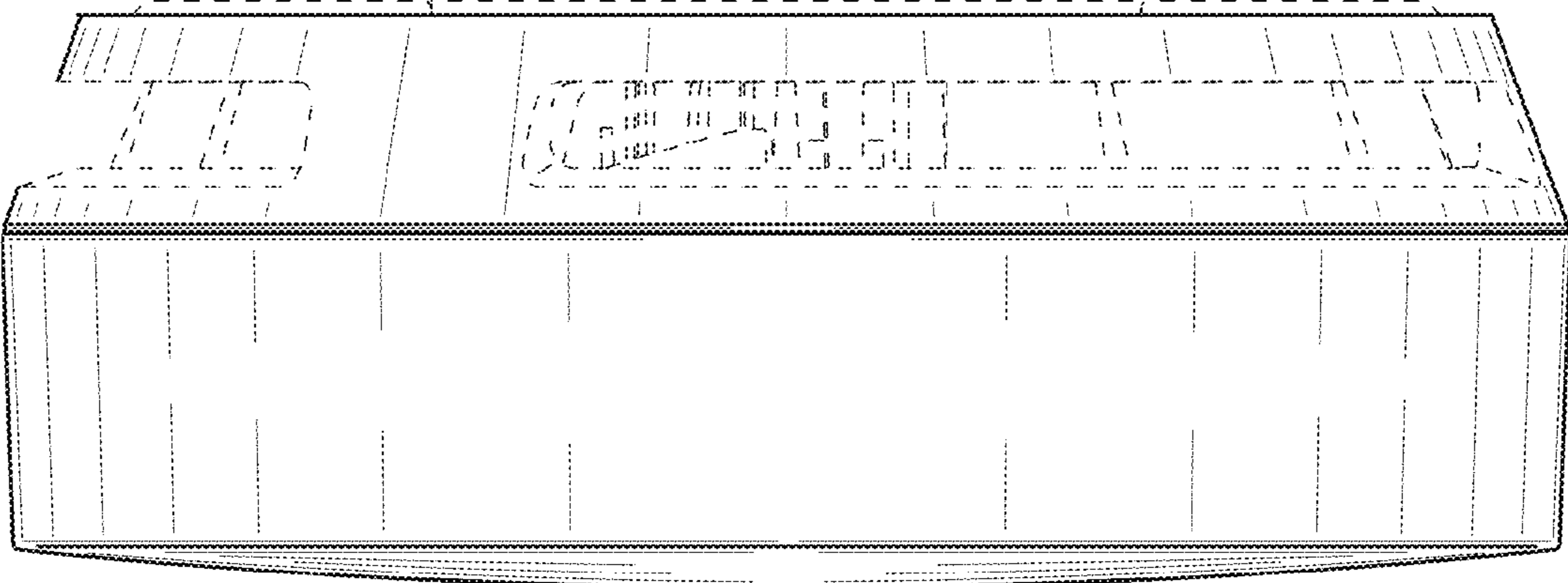


FIG. 3

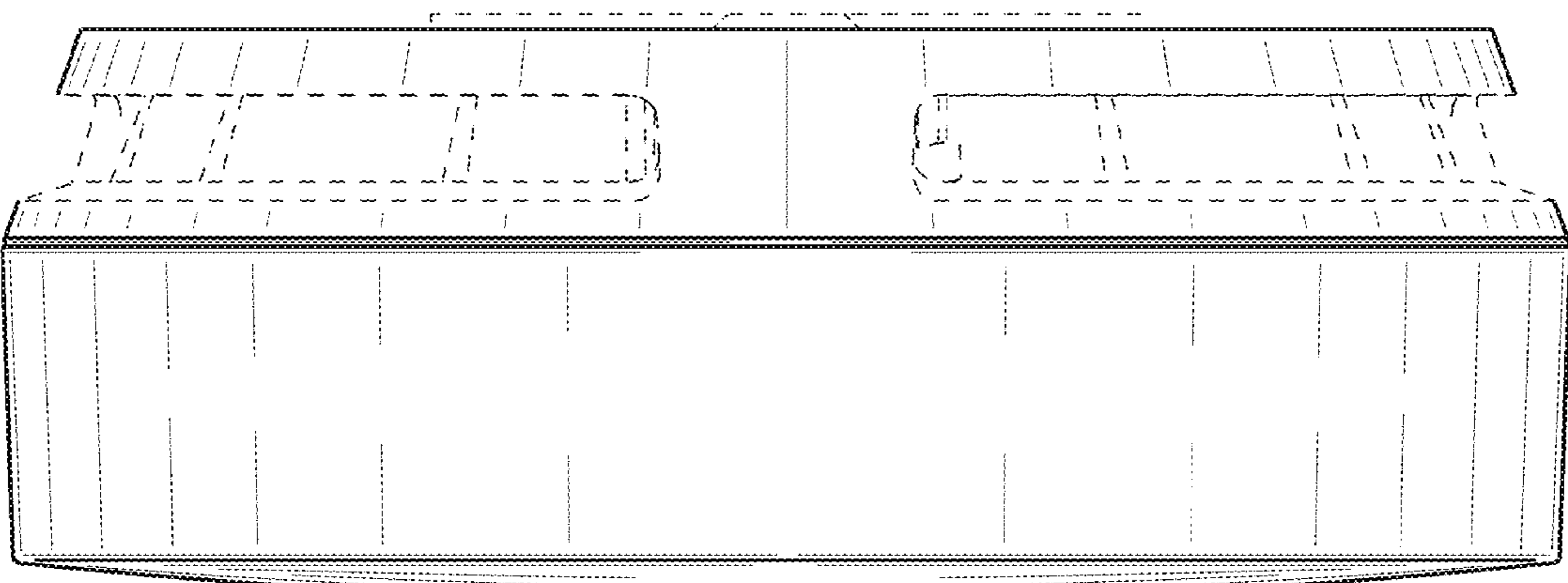


FIG. 4

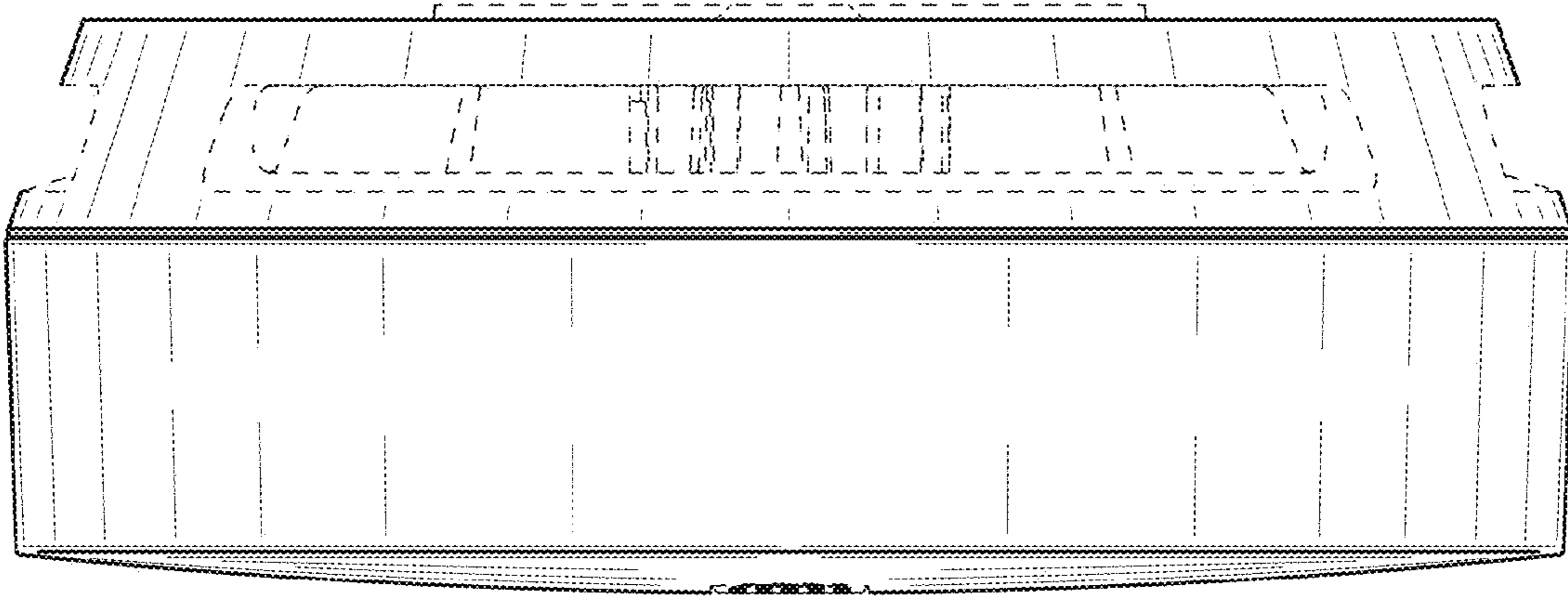


FIG. 5

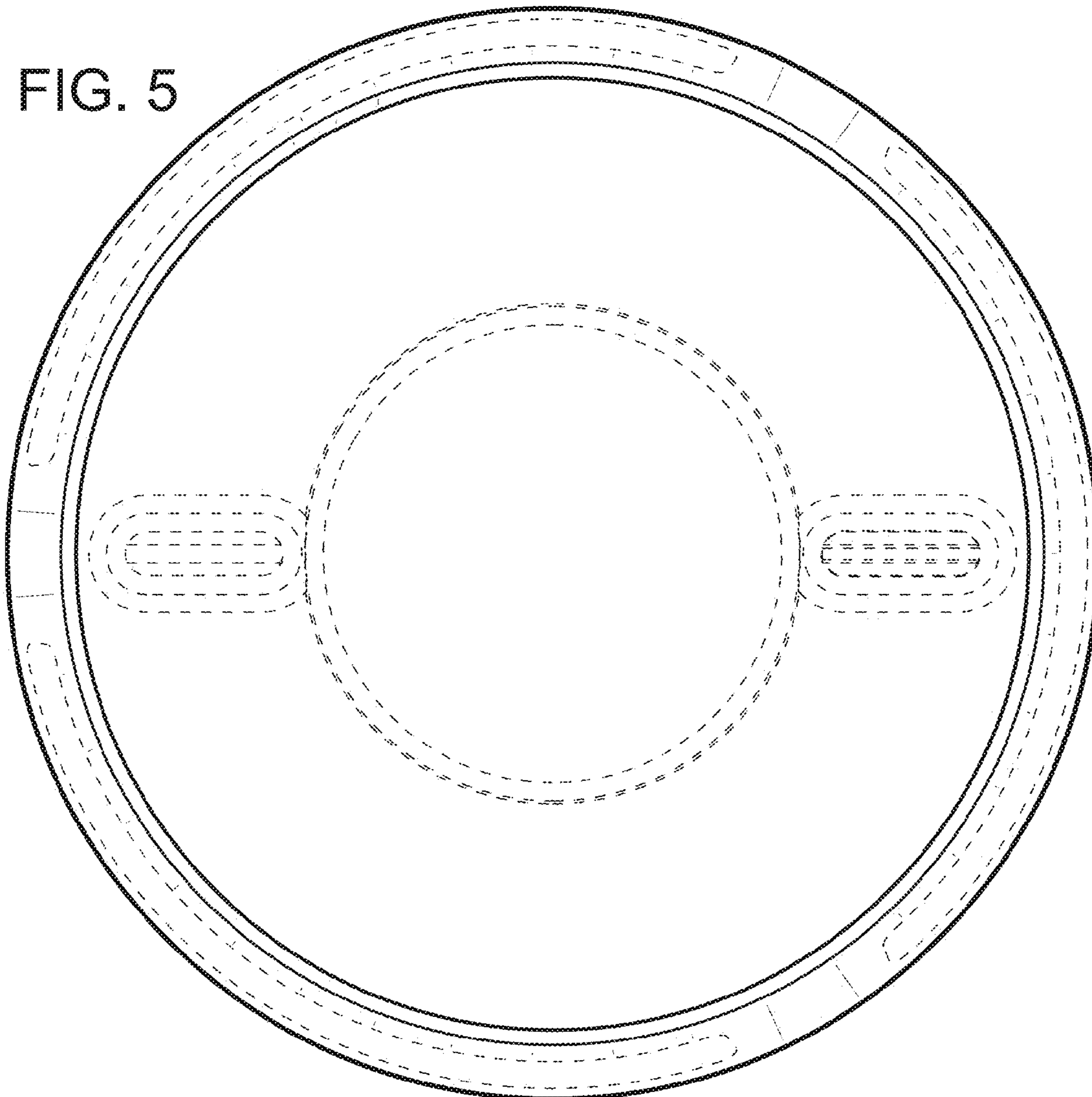


FIG. 6

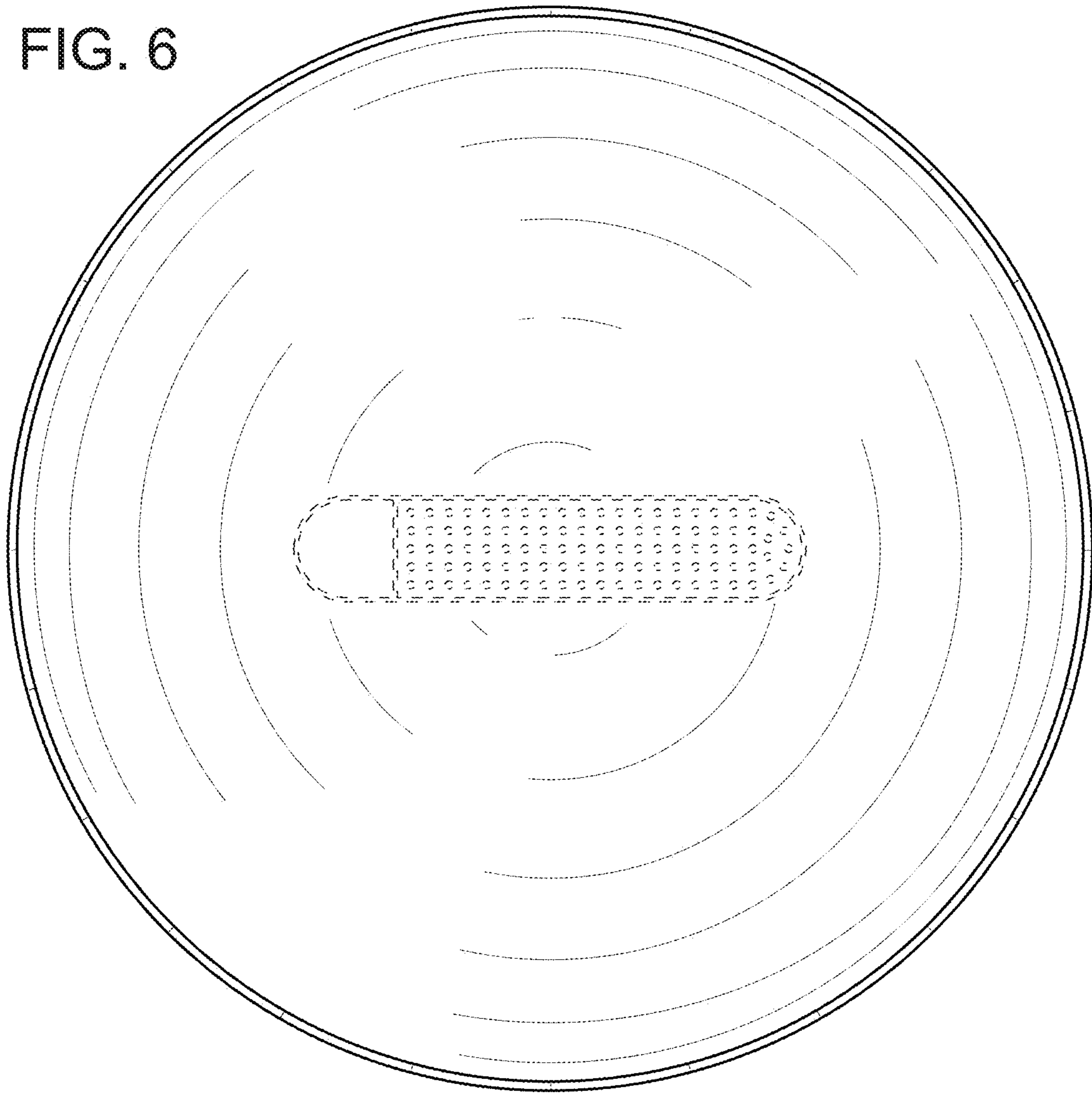


FIG. 7

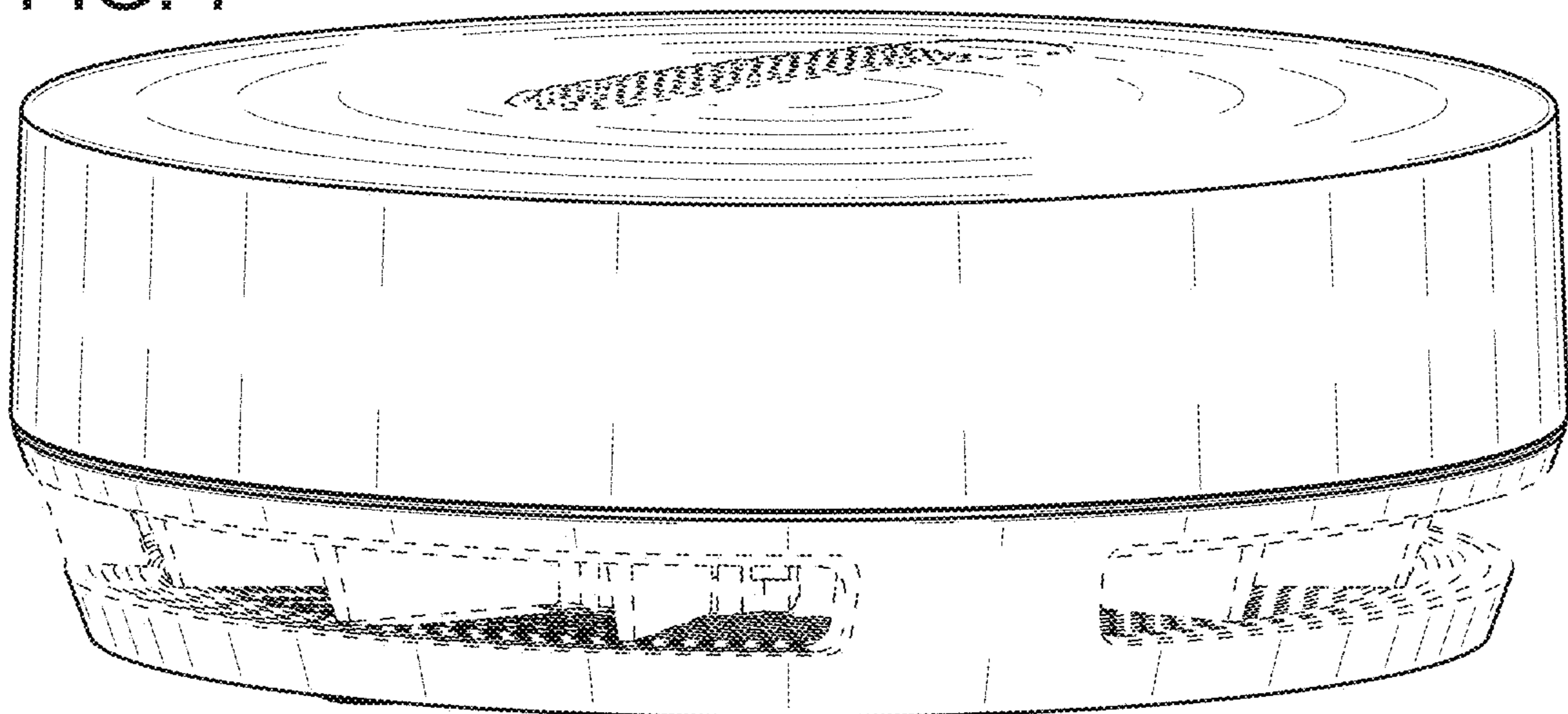


FIG. 8

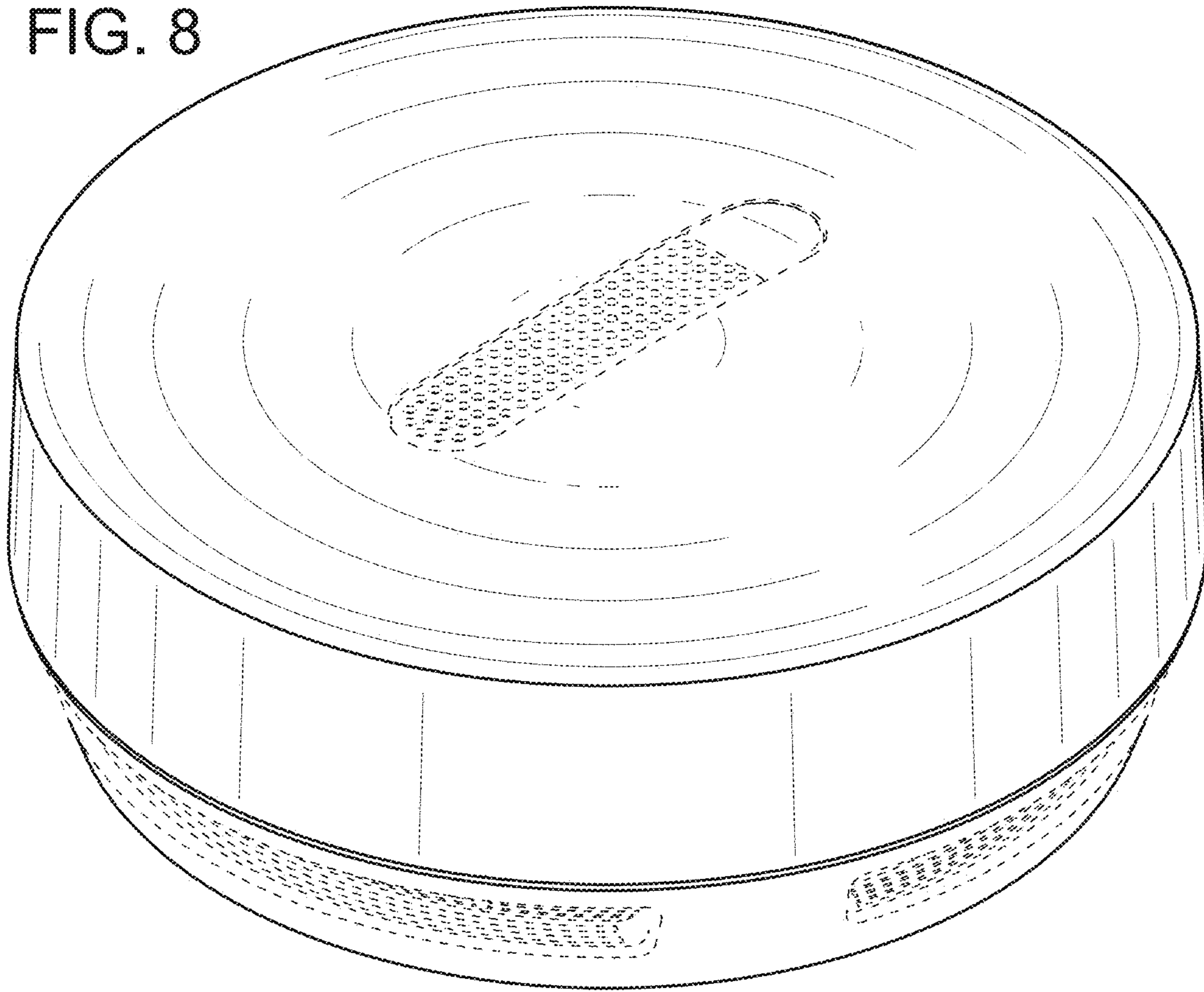


FIG. 9

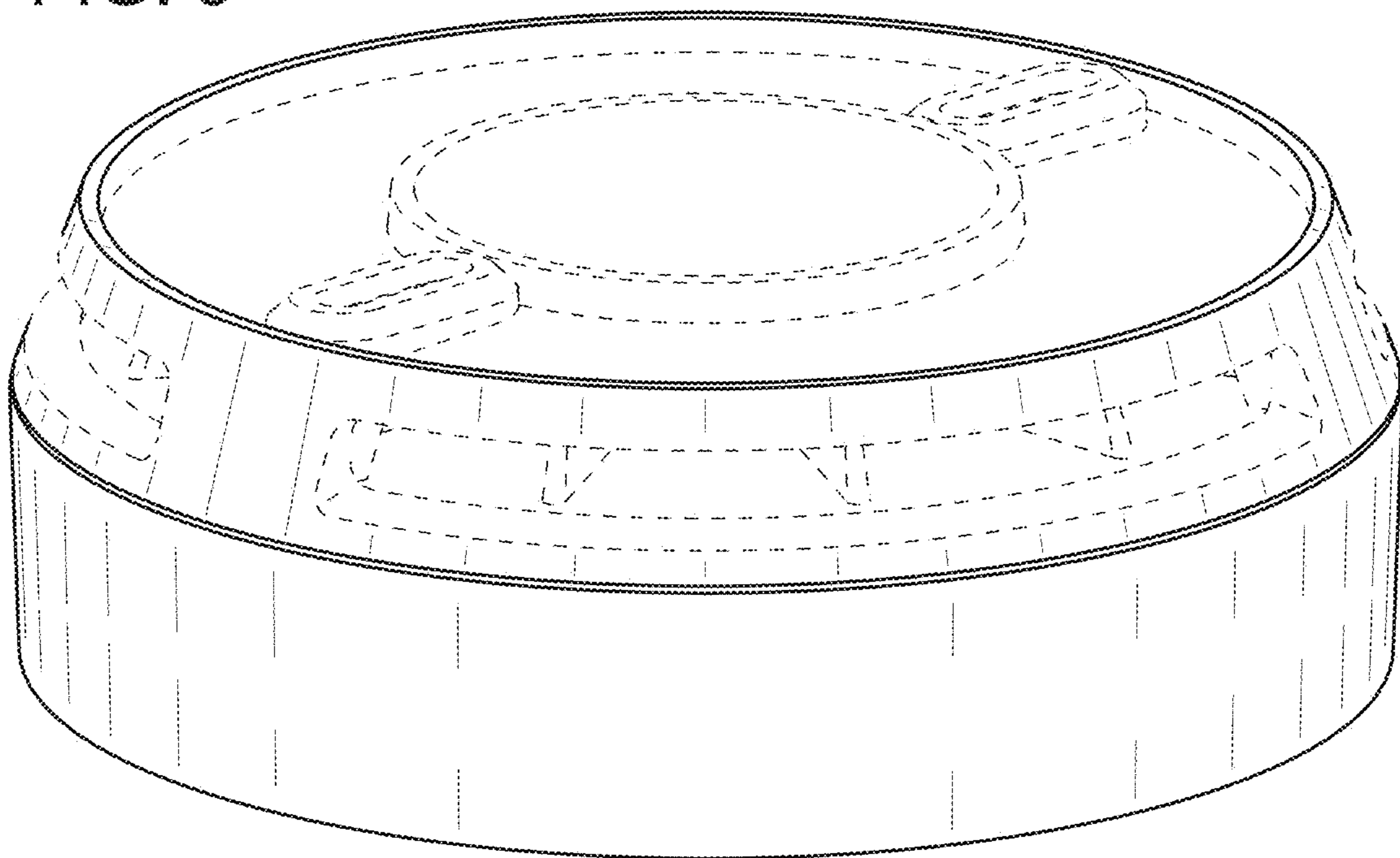


FIG. 10

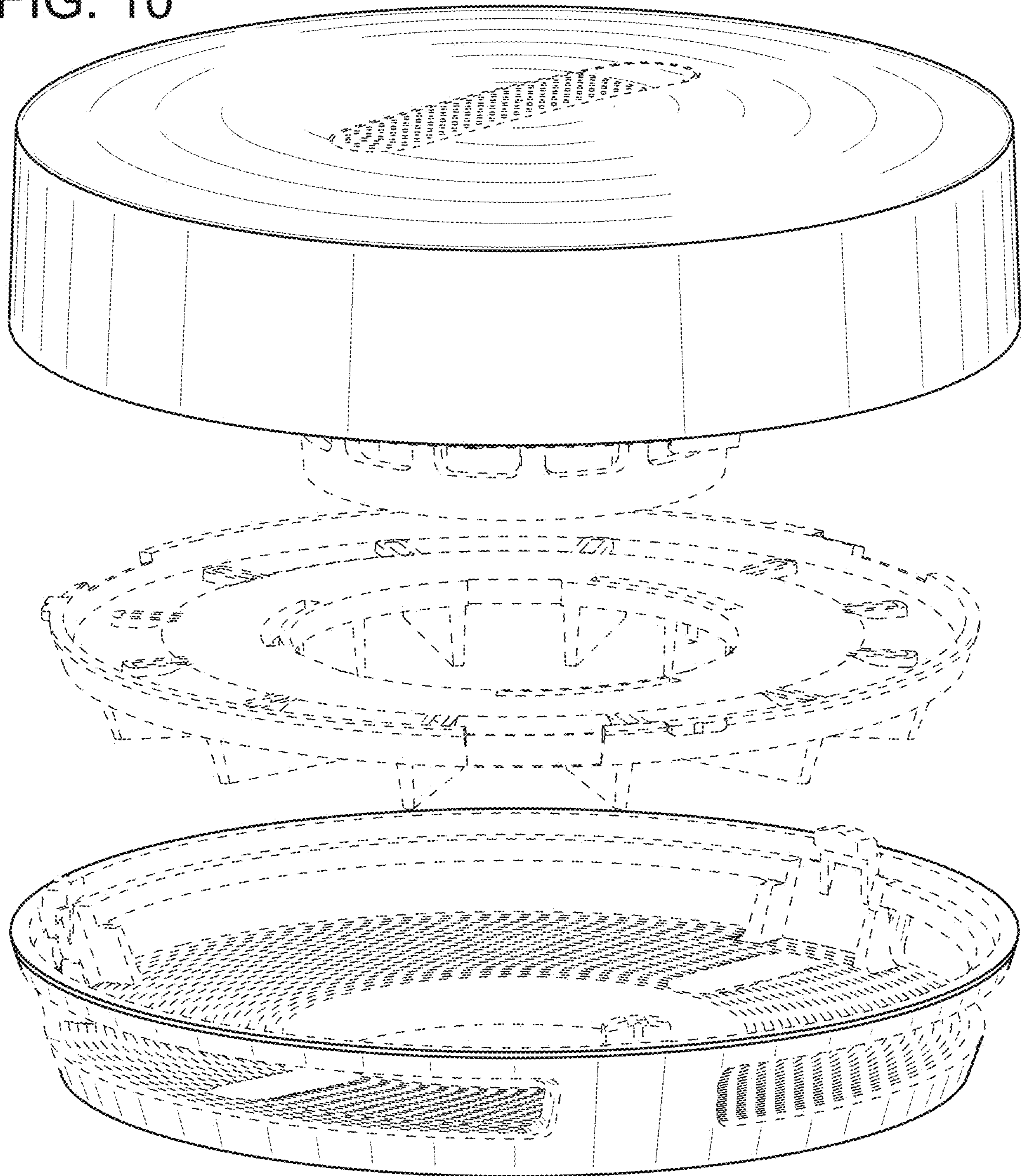


FIG. 11

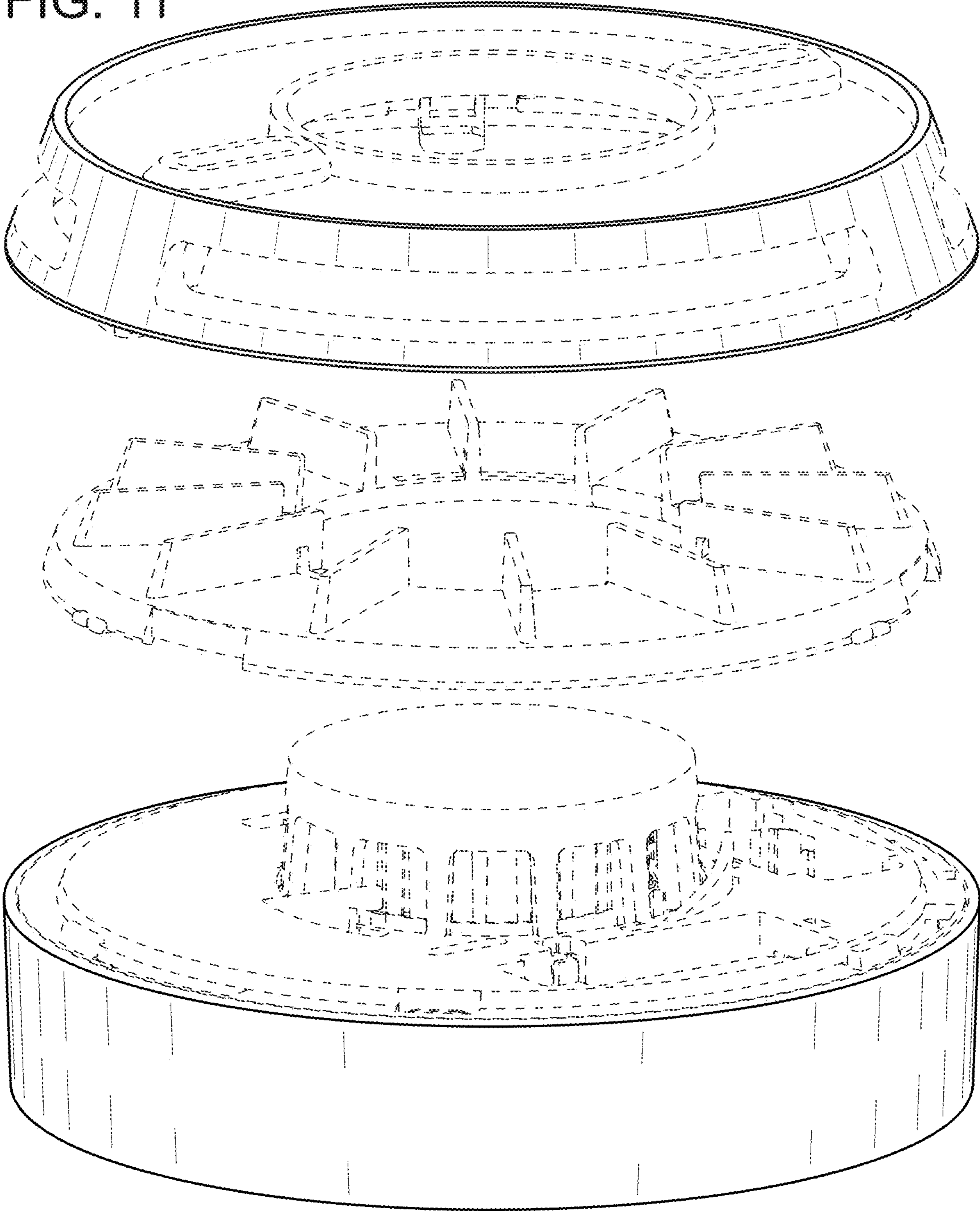


FIG. 12

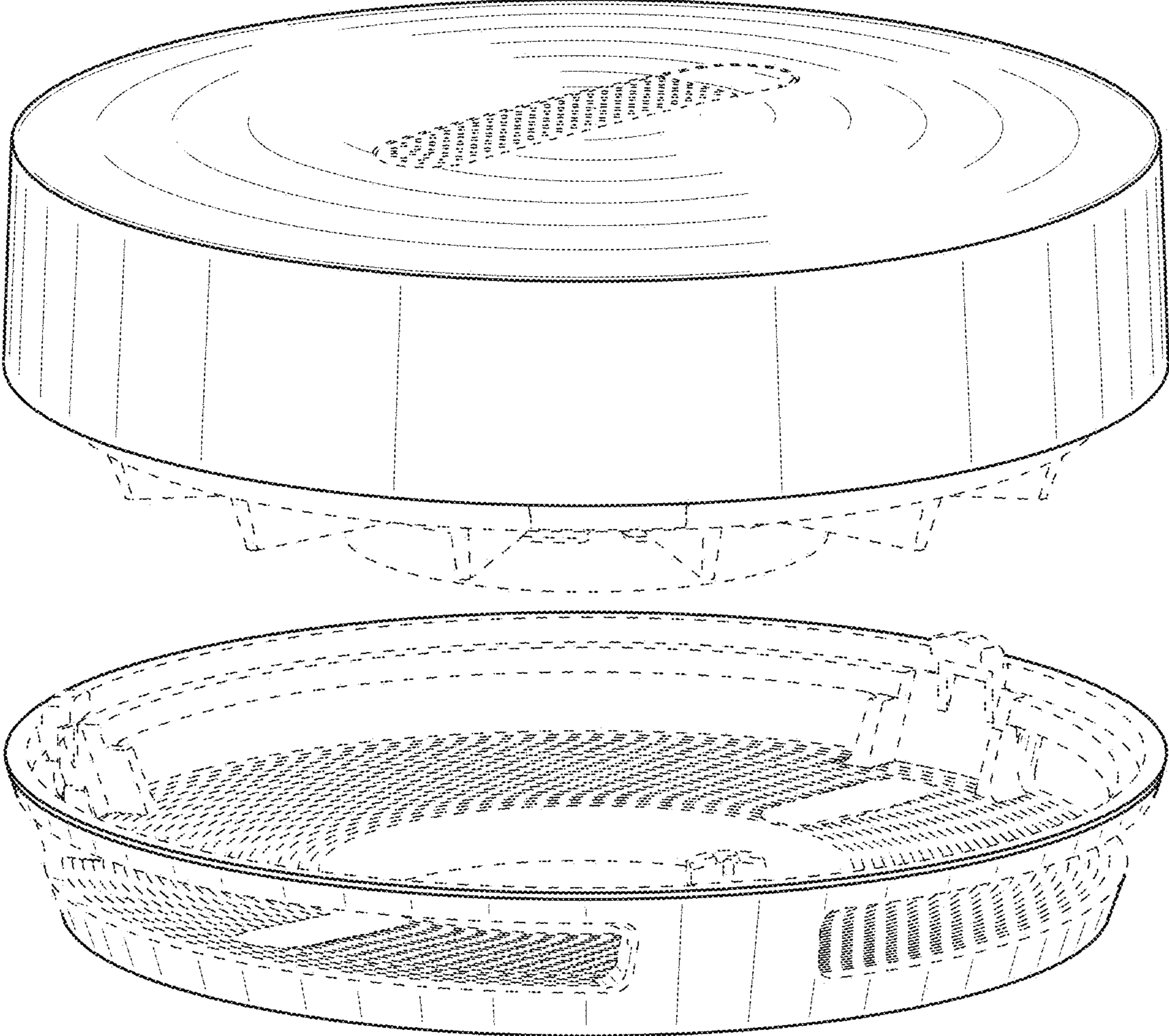


FIG. 13

