



US00D971040S

(12) **United States Design Patent** (10) **Patent No.:** **US D971,040 S**
Wang (45) **Date of Patent:** **** Nov. 29, 2022**

(54) **TOOL FOR POSITIONING A CALIBRATOR**

(71) Applicant: **AUTEL INTELLIGENT TECHNOLOGY CORP., LTD.,**
Guangdong (CN)

(72) Inventor: **Yongshuai Wang,** Guangdong (CN)

(73) Assignee: **AUTEL INTELLIGENT TECHNOLOGY CORP., LTD.,**
Guangdong (CN)

(**) Term: **15 Years**

(21) Appl. No.: **29/734,581**

(22) Filed: **May 13, 2020**

(30) **Foreign Application Priority Data**

Nov. 14, 2019 (CN) 201930627524.7

(51) **LOC (13) Cl.** **10-04**

(52) **U.S. Cl.**
USPC **D10/80**

(58) **Field of Classification Search**
USPC D5/63; D10/46, 46.1, 64, 74, 80, 60;
D19/9-12; D20/27, 22, 11; D24/216,
D24/223, 224, 225, 140; D8/354, 499,
D8/374, 349

CPC H04B 17/21; H04B 17/11; G01D 18/008;
G01D 18/00; G01D 18/006; G01C 23/00;
B60R 2300/402

See application file for complete search history.

(56) **References Cited**

U.S. PATENT DOCUMENTS

D266,746 S * 11/1982 Wilson D10/74
D284,932 S * 8/1986 Beverly D13/154
D358,795 S * 5/1995 Viola D12/187

D411,119 S * 6/1999 Johnston D10/64
D503,330 S * 3/2005 Murphy D8/354
D535,985 S * 1/2007 Sergi D8/354
D536,240 S * 2/2007 Vejmarker D8/354
D538,630 S * 3/2007 Sergi D8/354
D649,016 S * 11/2011 Rasmussen D8/354
D667,289 S * 9/2012 Preda D8/354
D667,322 S * 9/2012 Madrack D15/138
D668,562 S * 10/2012 Madrack D15/138
D732,360 S * 6/2015 Reeder D10/64
D784,114 S * 4/2017 Rago D8/354
D787,918 S * 5/2017 Rago D8/354
D883,073 S * 5/2020 Jaramillo D8/354
D888,540 S * 6/2020 Cheng D22/109
D899,897 S * 10/2020 Gustafsson Salmonsson
D8/354
D903,472 S * 12/2020 Kovacs D8/354
D925,338 S * 7/2021 Dedios-Shirley D8/354
D931,711 S * 9/2021 Sharma D8/354
D931,745 S * 9/2021 Wang D10/70
D932,874 S * 10/2021 Del Rossa D8/354
D946,378 S * 3/2022 Hummel D8/354

* cited by examiner

Primary Examiner — George D. Kirschbaum
Assistant Examiner — Antoinette Martine Suiter

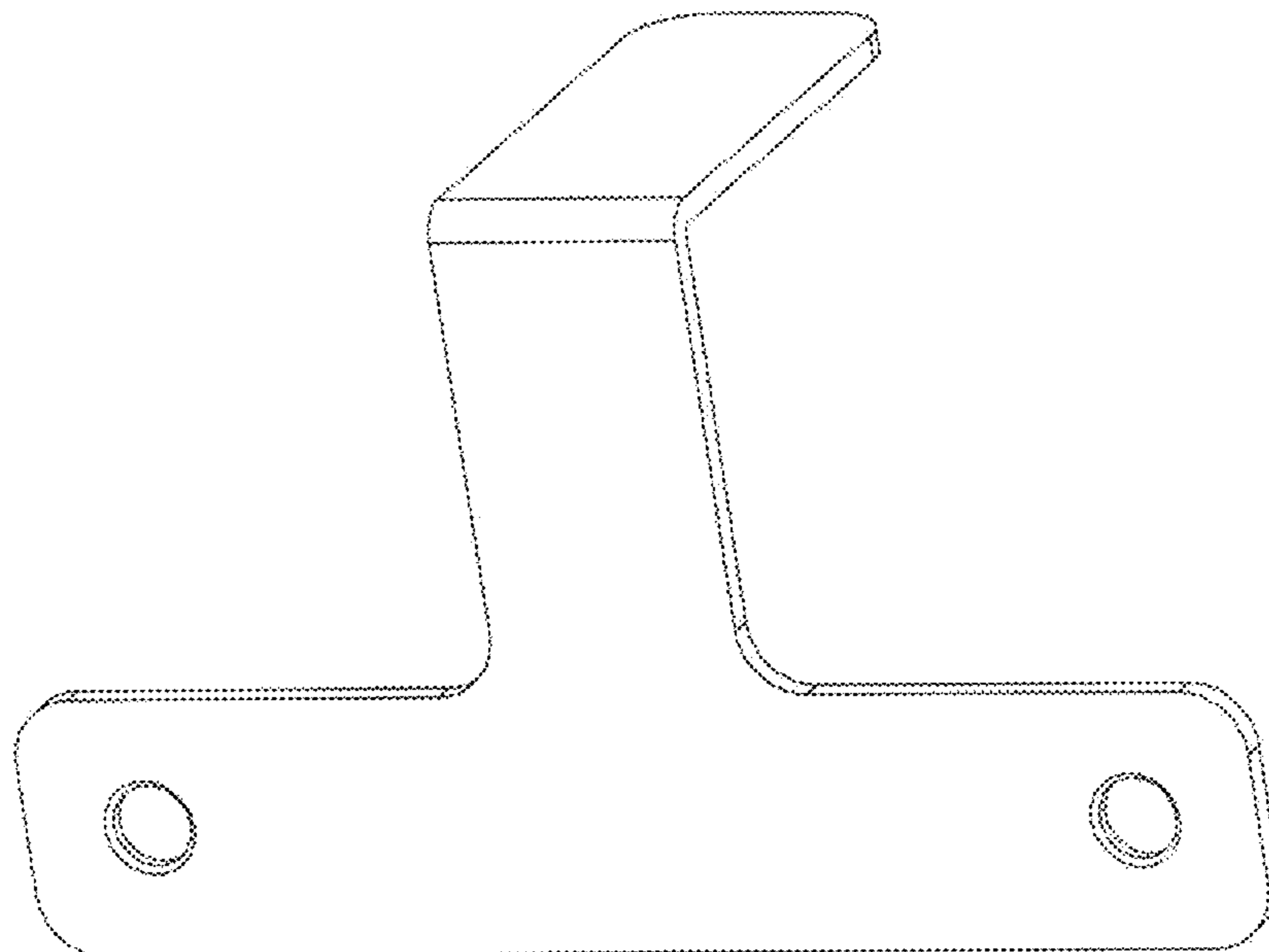
(57) **CLAIM**

The ornamental design for a tool for positioning a calibrator, as shown and described.

DESCRIPTION

FIG. 1 is a front elevational view of a tool for positioning a calibrator showing our new design;
FIG. 2 is a back elevational view thereof;
FIG. 3 is a left side elevational view thereof;
FIG. 4 is a right side elevational view thereof;
FIG. 5 is a top plan view thereof;
FIG. 6 is a bottom plan view thereof; and,
FIG. 7 is a perspective view thereof.

1 Claim, 4 Drawing Sheets



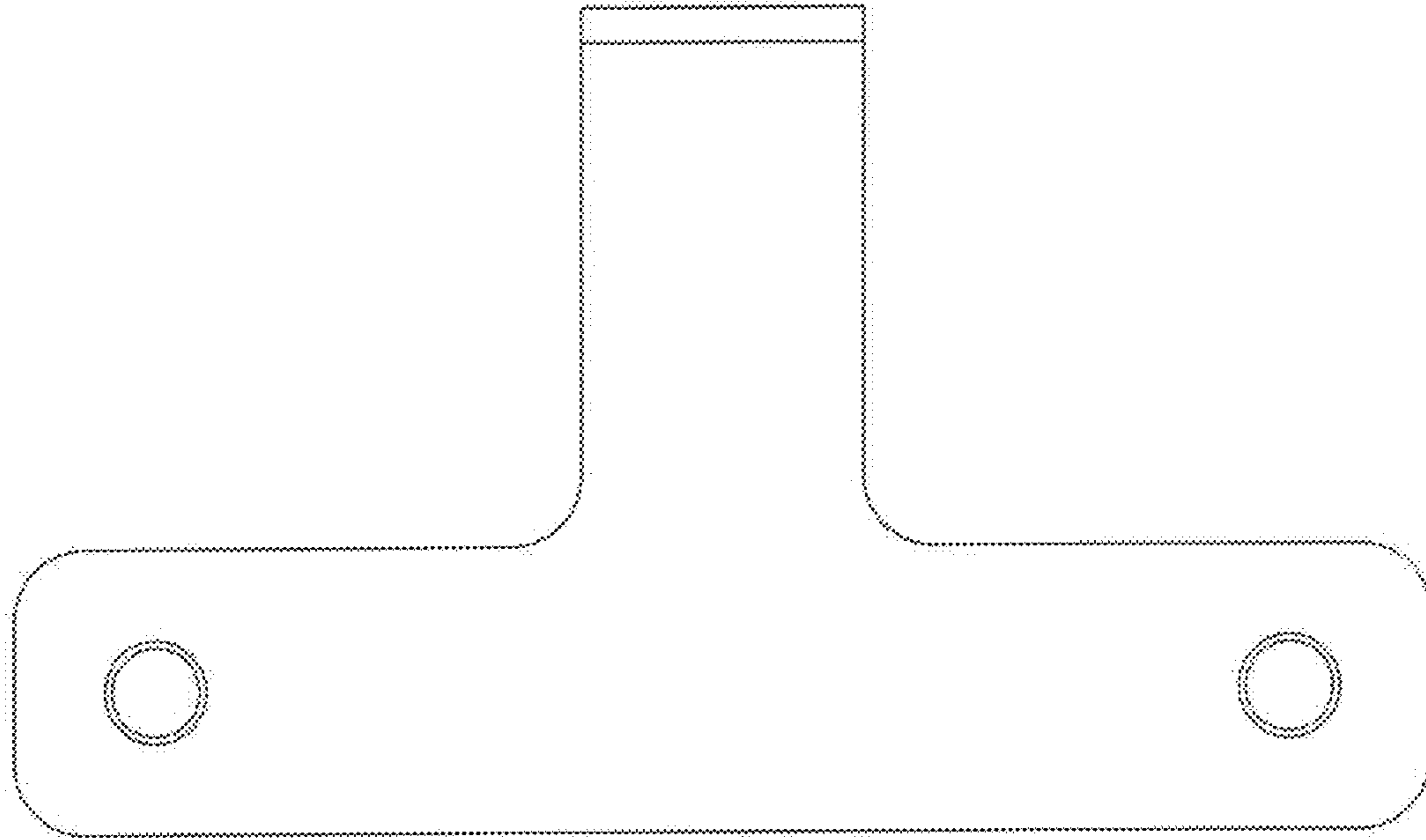


FIG.1

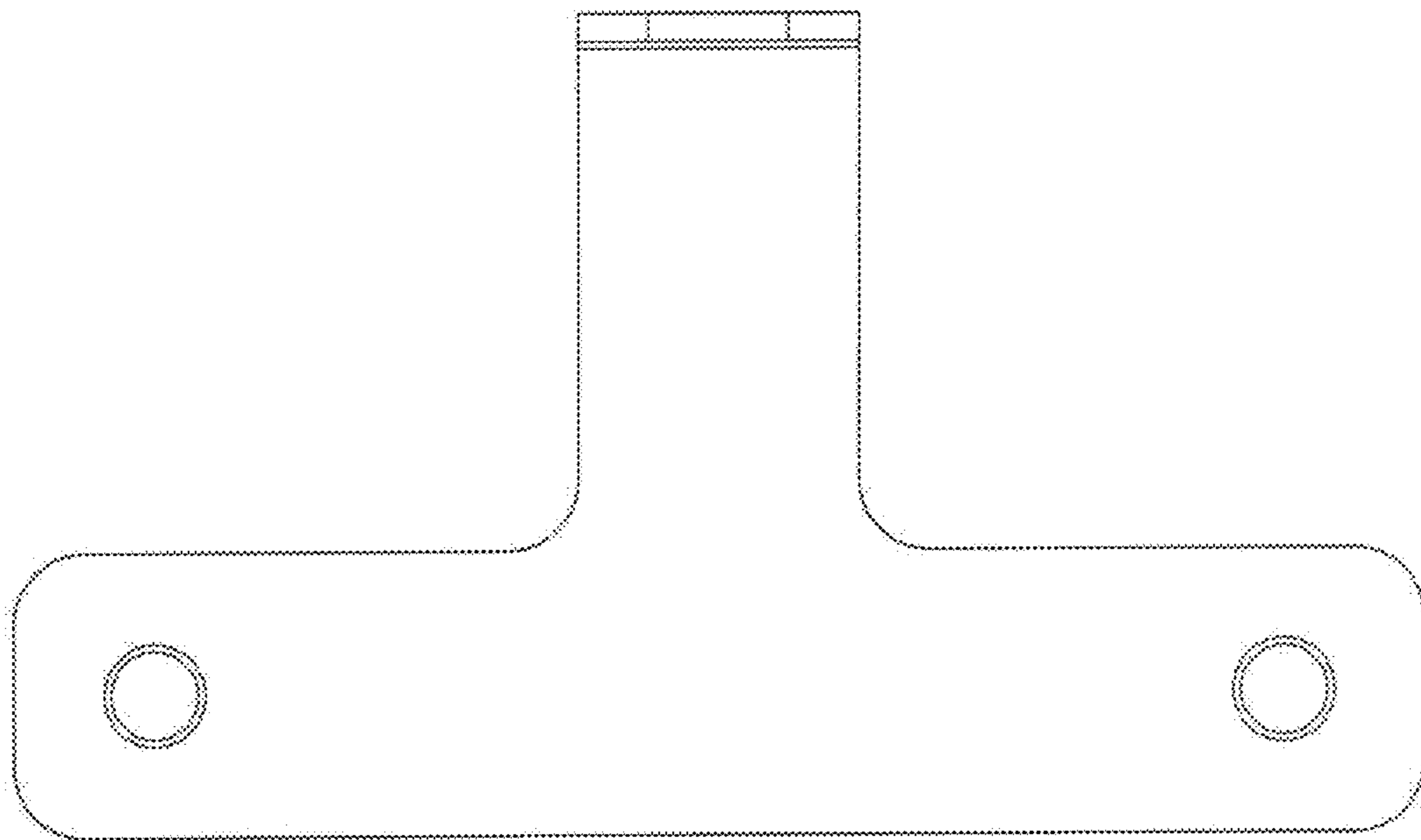


FIG.2

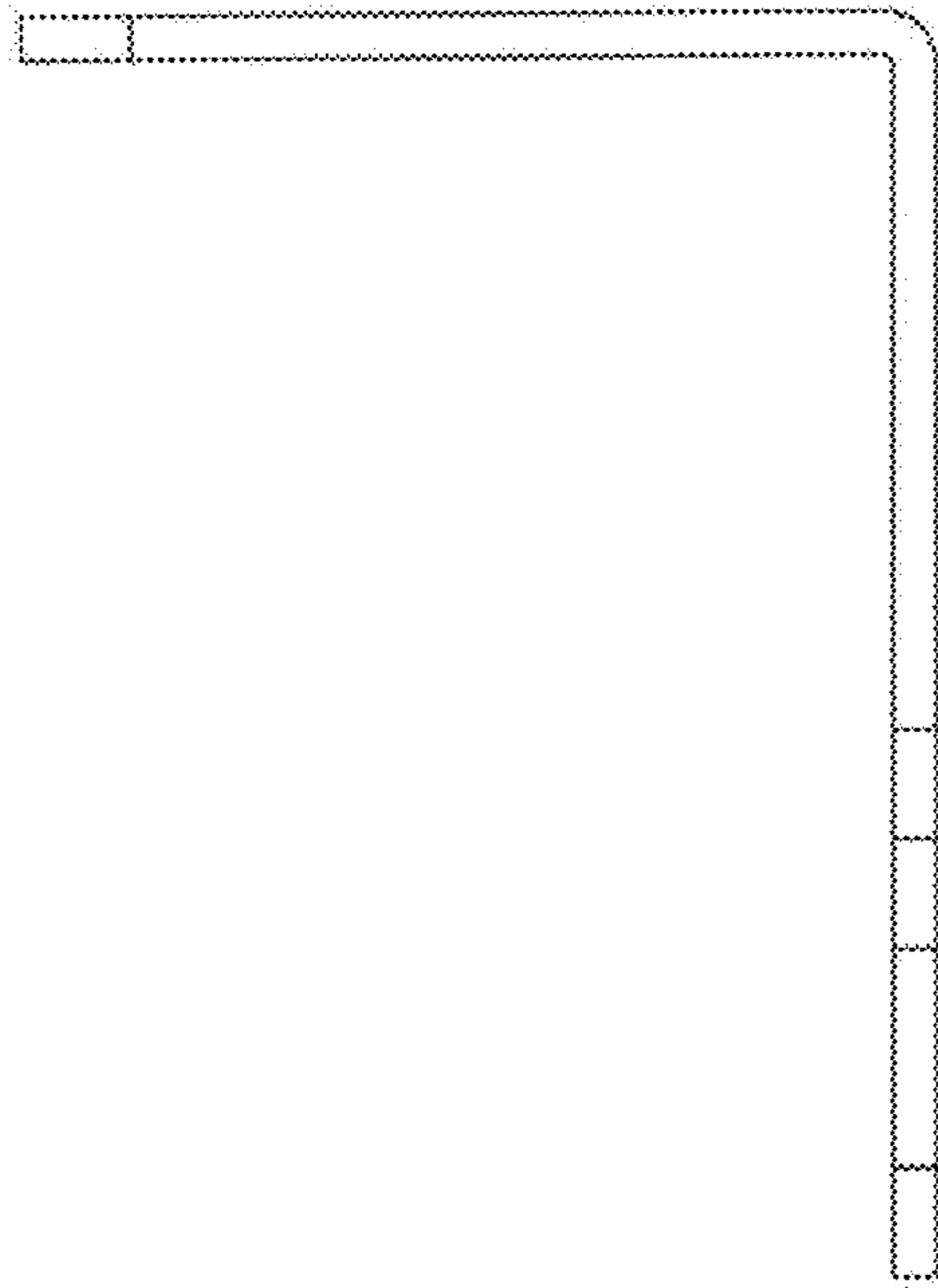


FIG.3

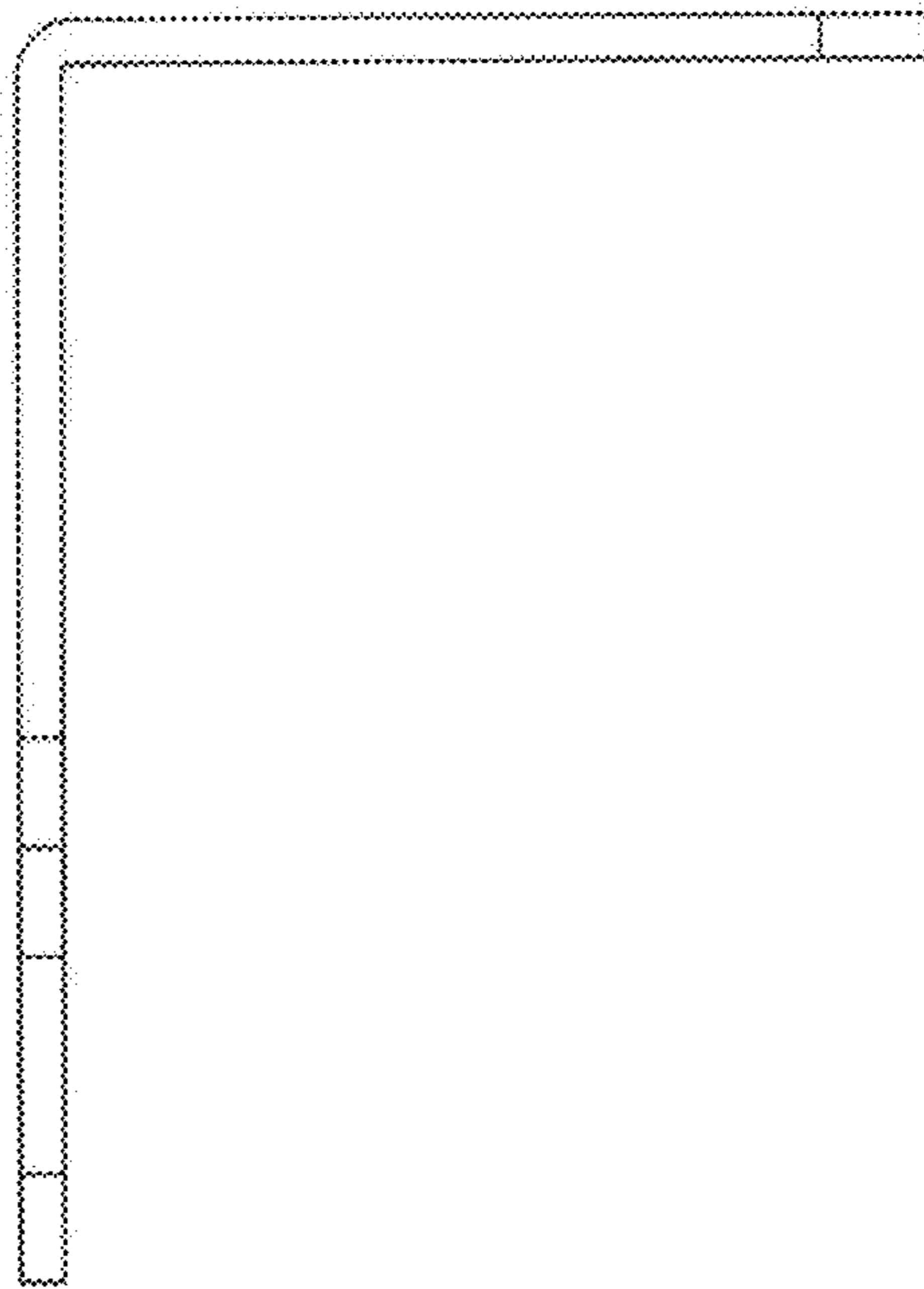


FIG.4

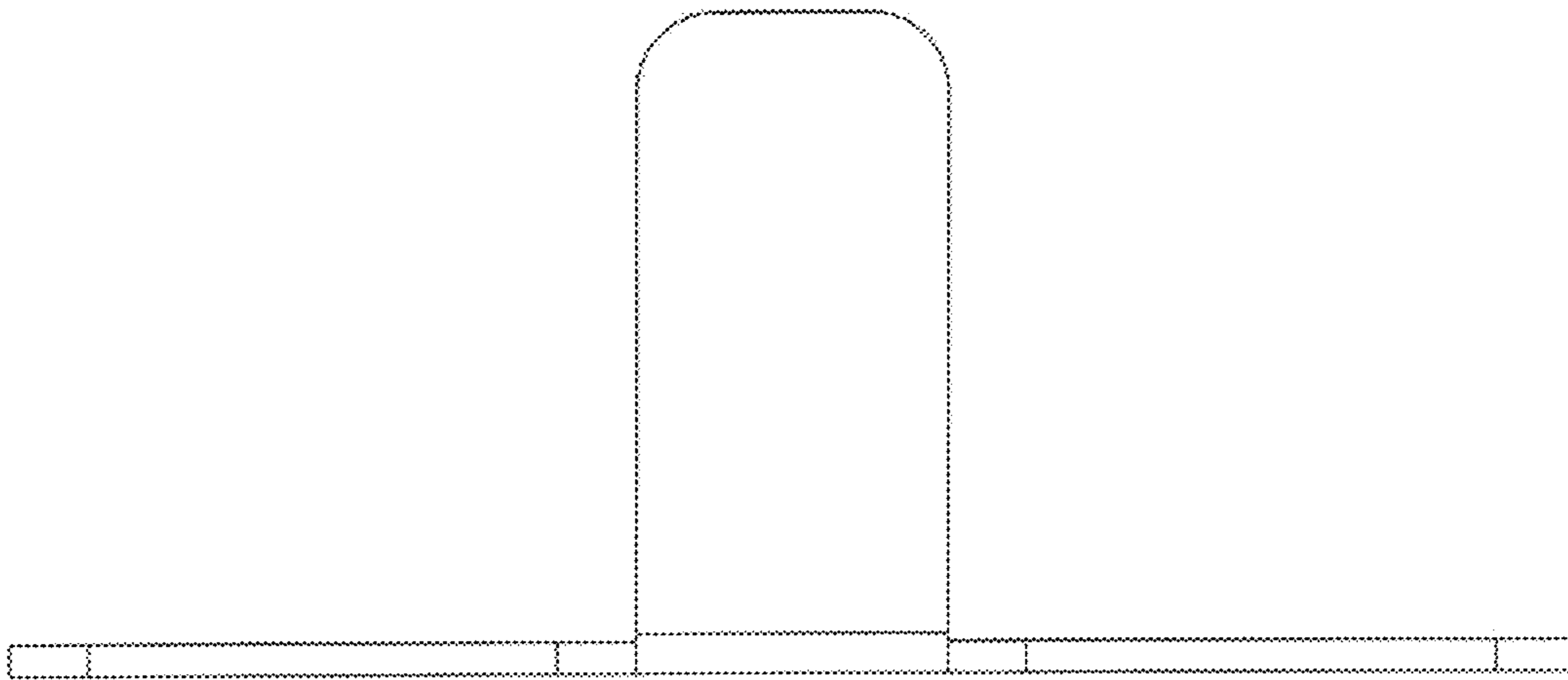


FIG. 5

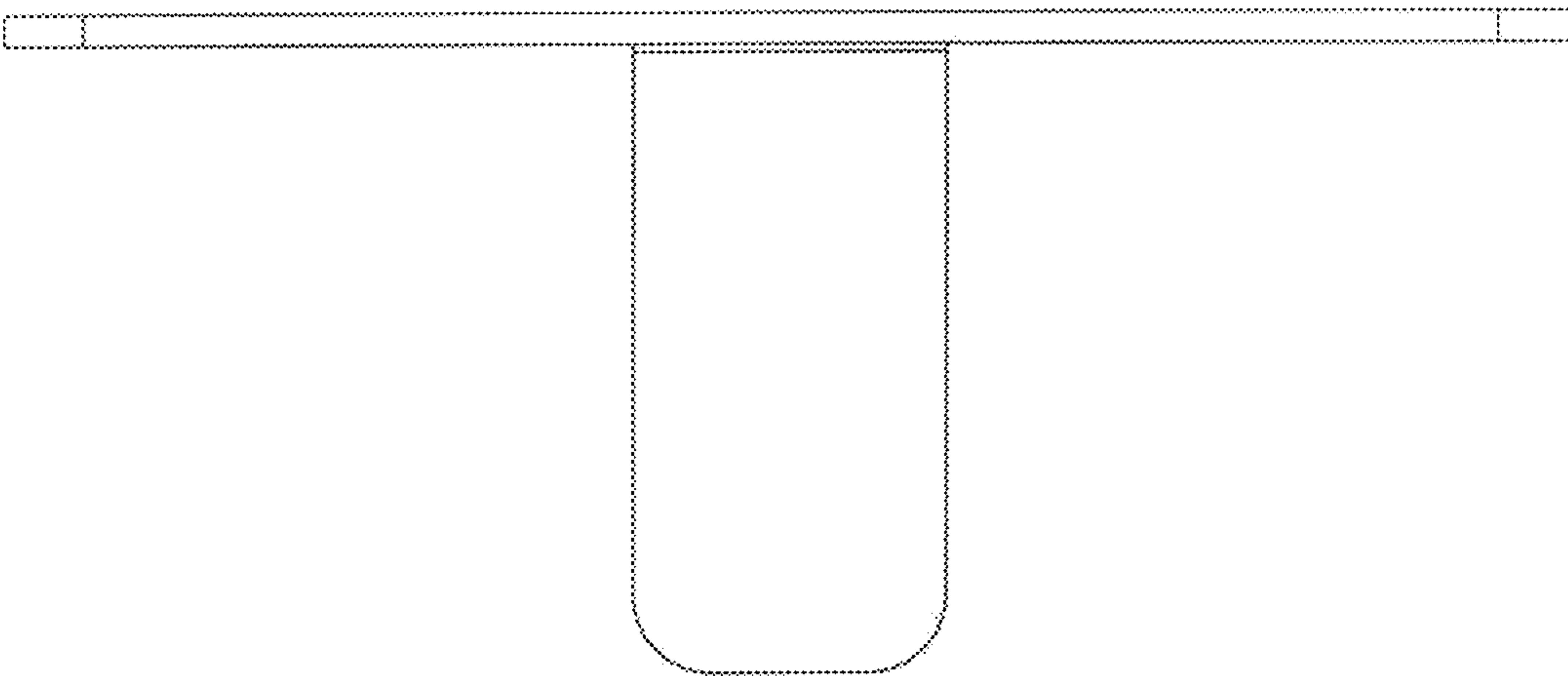


FIG. 6

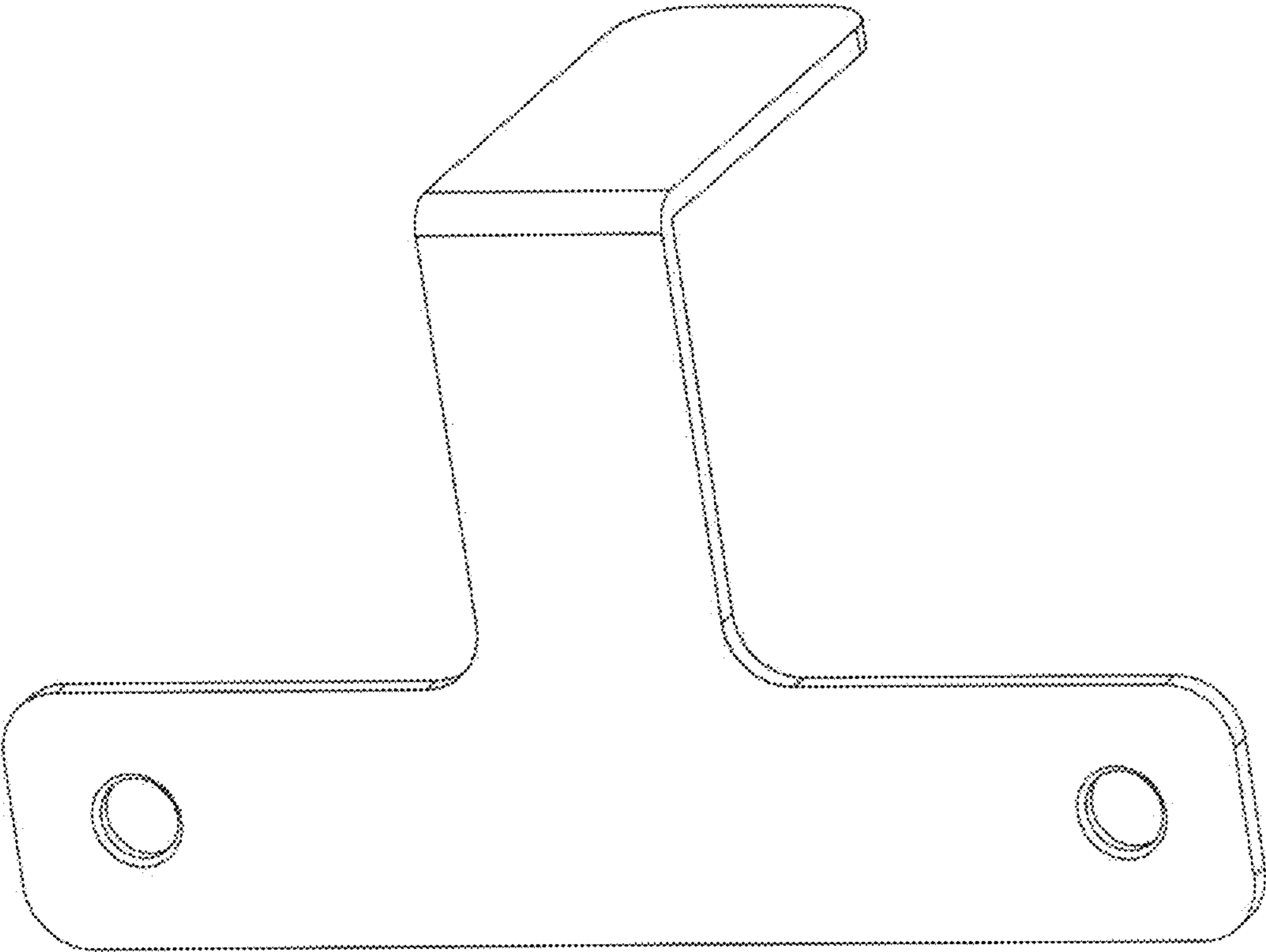


FIG.7