

US00D971037S

(12) **United States Design Patent**
Ishii et al.

(10) **Patent No.:** **US D971,037 S**

(45) **Date of Patent:** **** Nov. 29, 2022**

(54) **SURVEYING INSTRUMENT**

D835,532 S * 12/2018 Ishii D10/66
D901,315 S * 11/2020 Mitsuo D10/66
2017/0207384 A1* 7/2017 Tokuda H01L 41/187

(71) Applicant: **Topcon Corporation**, Tokyo (JP)

* cited by examiner

(72) Inventors: **Mitsuo Ishii**, Tokyo (JP); **Yasuhisa Kaneda**, Tokyo (JP)

Primary Examiner — George D. Kirschbaum

(**) Term: **15 Years**

(21) Appl. No.: **35/512,292**

(57) **CLAIM**

(22) Filed: **Jan. 29, 2021**

The ornamental design for a surveying instrument, as shown and described.

(80) **Hague Agreement Data**

Int. Filing Date: **Jan. 29, 2021**

Int. Reg. No.: **DM/212659**

Int. Reg. Date: **Jan. 29, 2021**

Int. Reg. Pub. Date: **Jul. 30, 2021**

DESCRIPTION

(51) **LOC (13) Cl.** **10-04**

(52) **U.S. Cl.**
USPC **D10/66**

(58) **Field of Classification Search**
USPC D10/66
CPC G01C 3/00; G01C 9/00; G01C 15/00
See application file for complete search history.

- 1. Surveying instrument
- 1.1 : Perspective
- 1.2 : Perspective
- 1.3 : Front
- 1.4 : Back
- 1.5 : Top
- 1.6 : Left
- 1.7 : Right
- 1.8 : Bottom

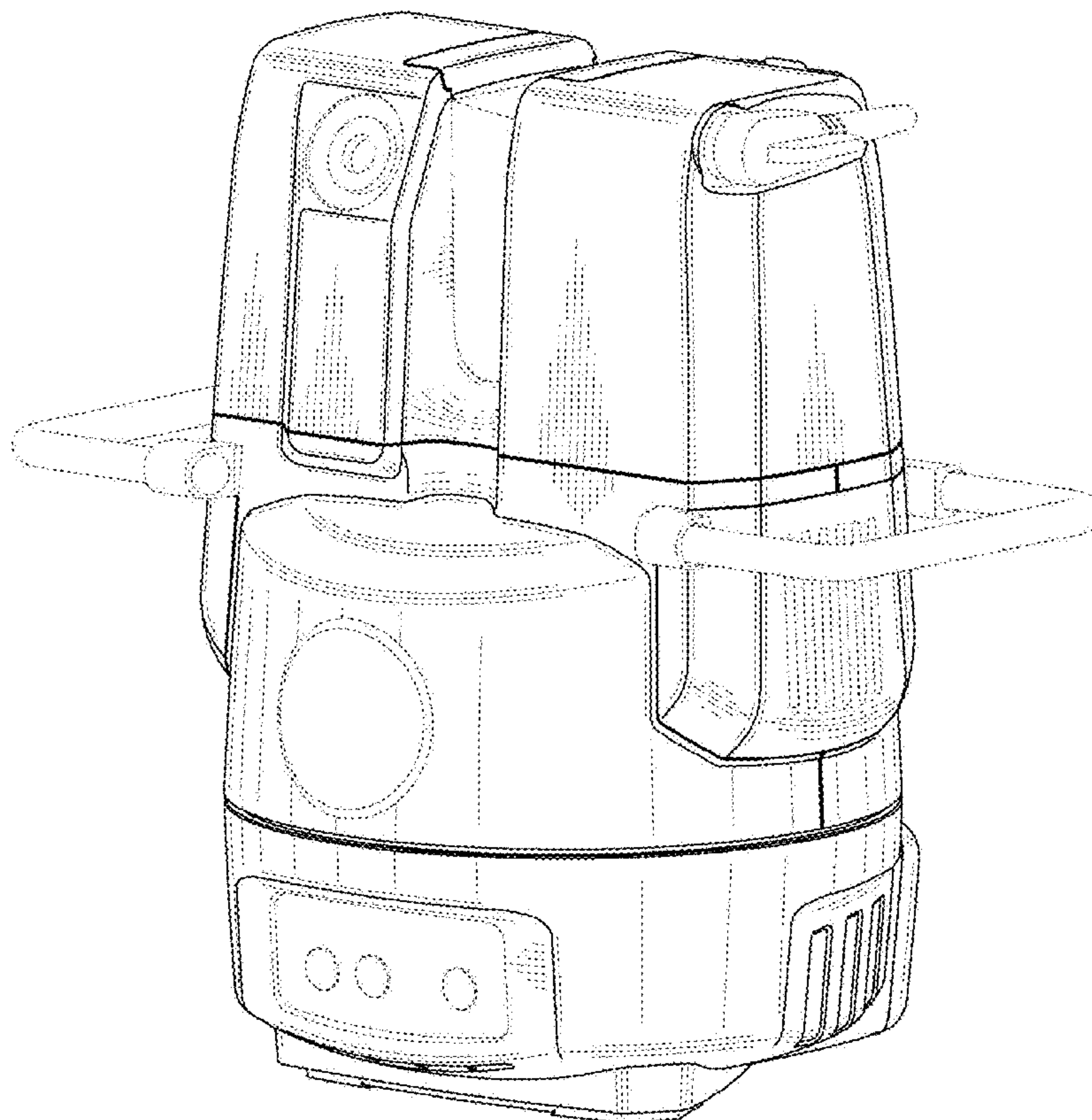
(56) **References Cited**

U.S. PATENT DOCUMENTS

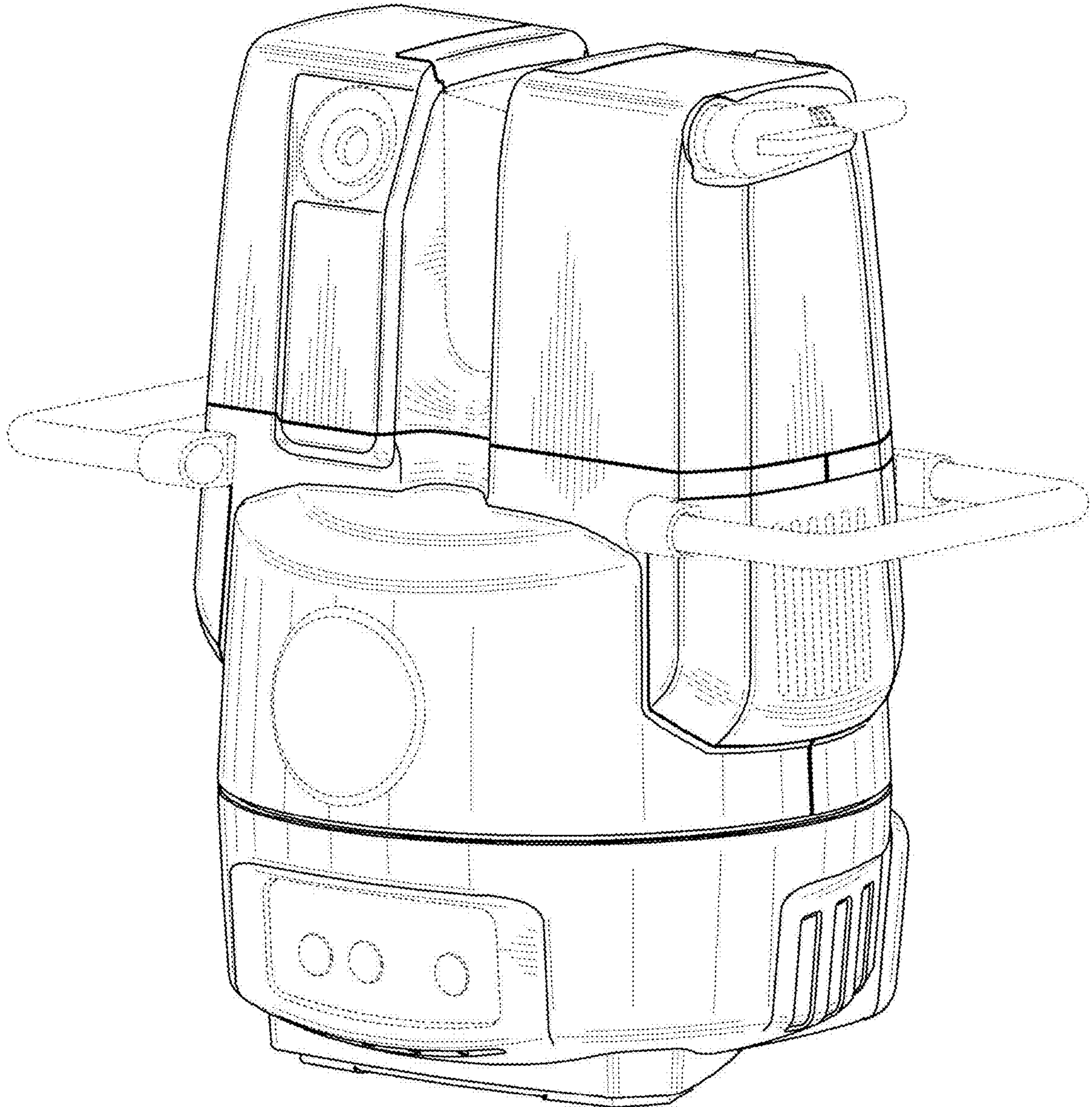
D778,745 S * 2/2017 Ishii D10/66
D787,345 S * 5/2017 Ishii D10/66

The broken line showing is included for the purpose of illustrating portions of the “article” and forms no part of the claimed design.

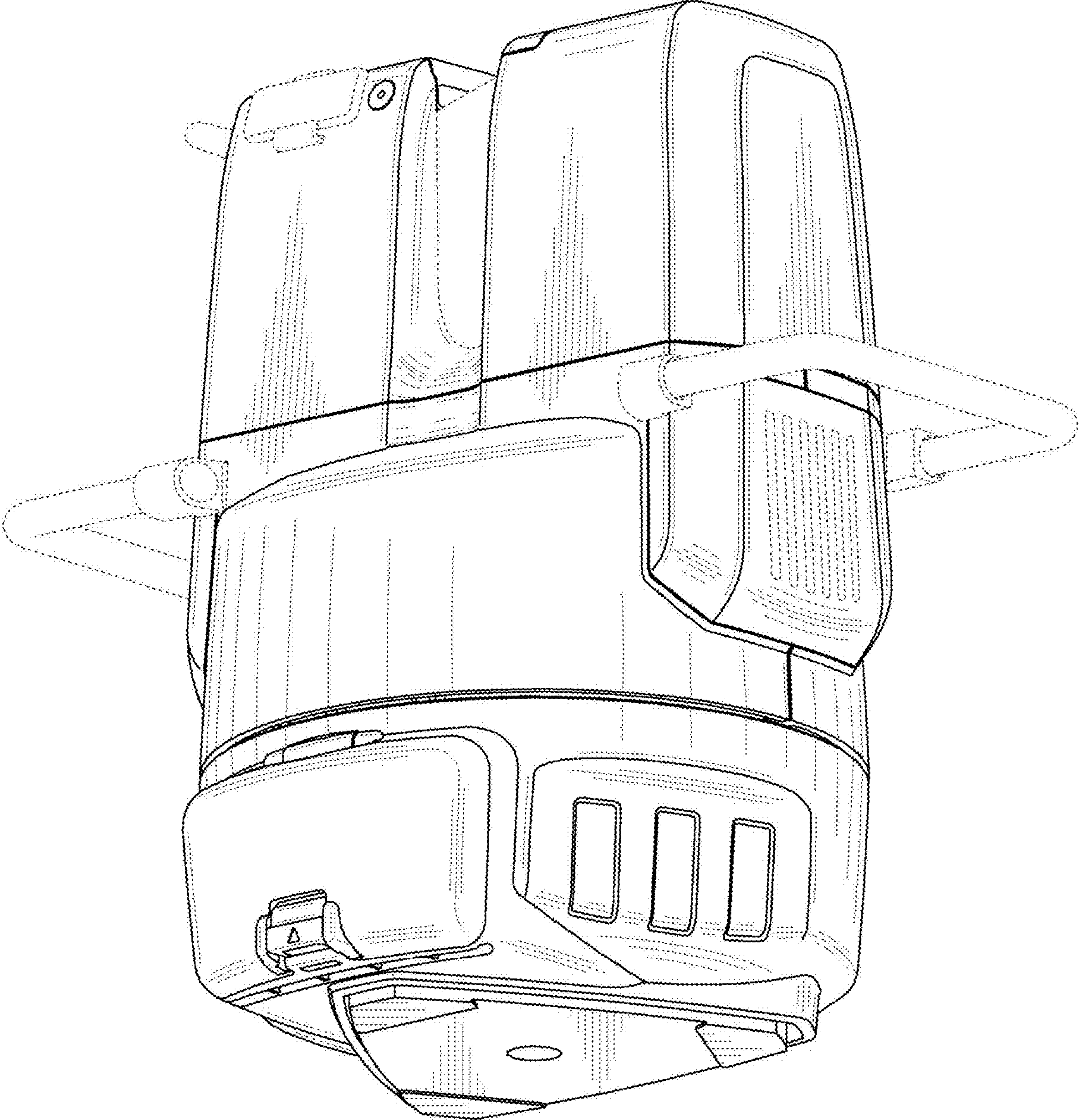
1 Claim, 8 Drawing Sheets



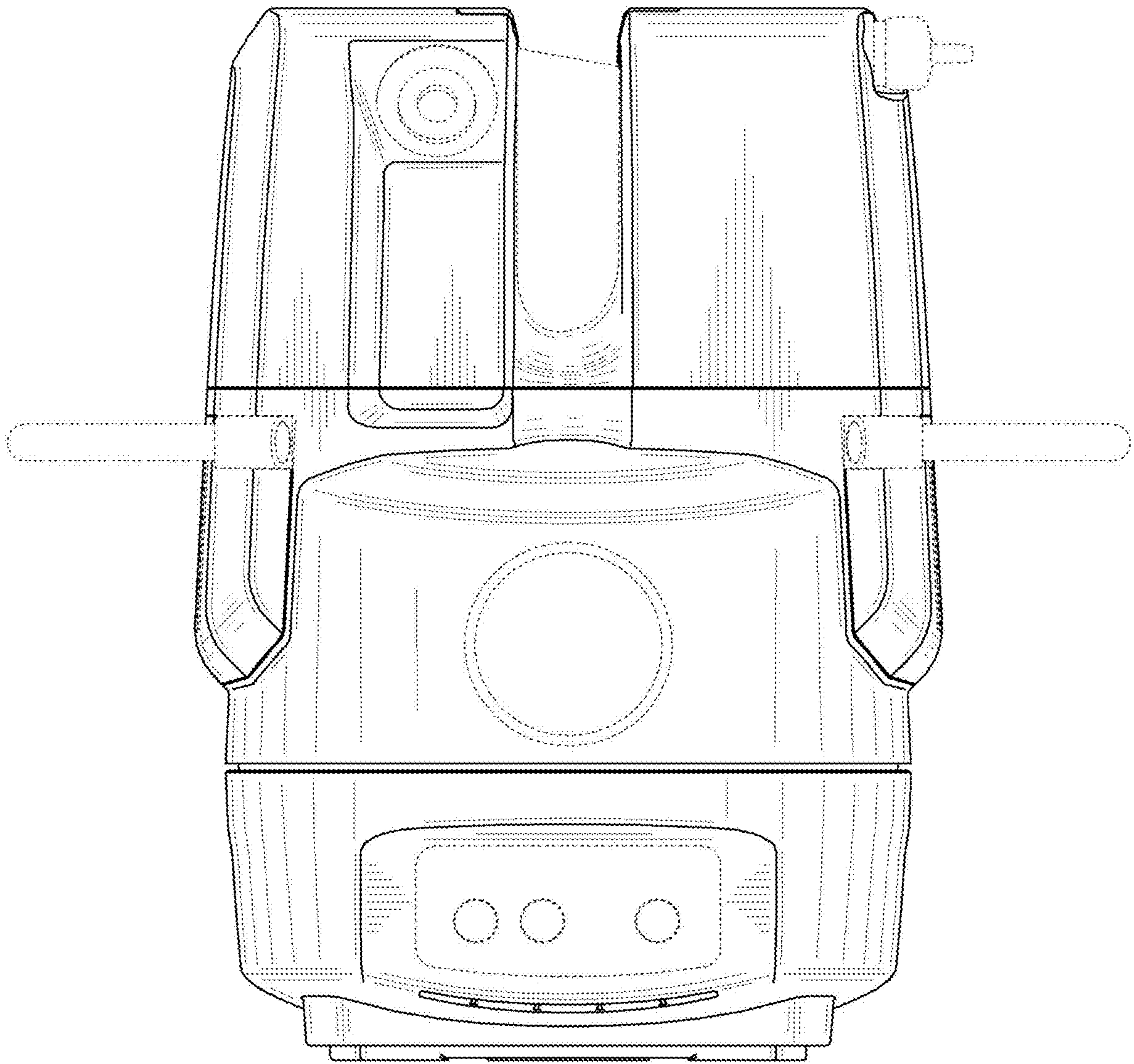
1.1



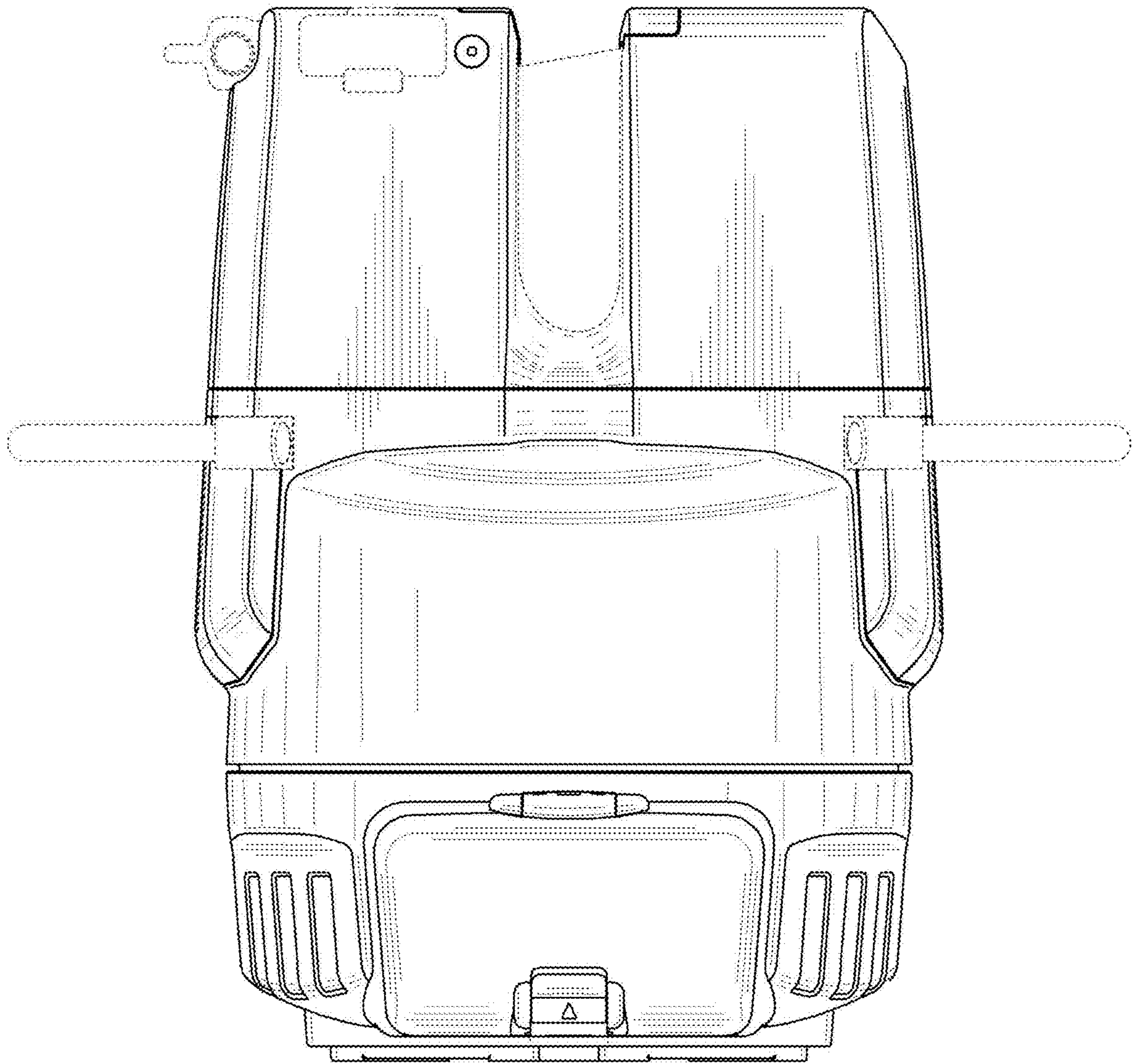
1.2



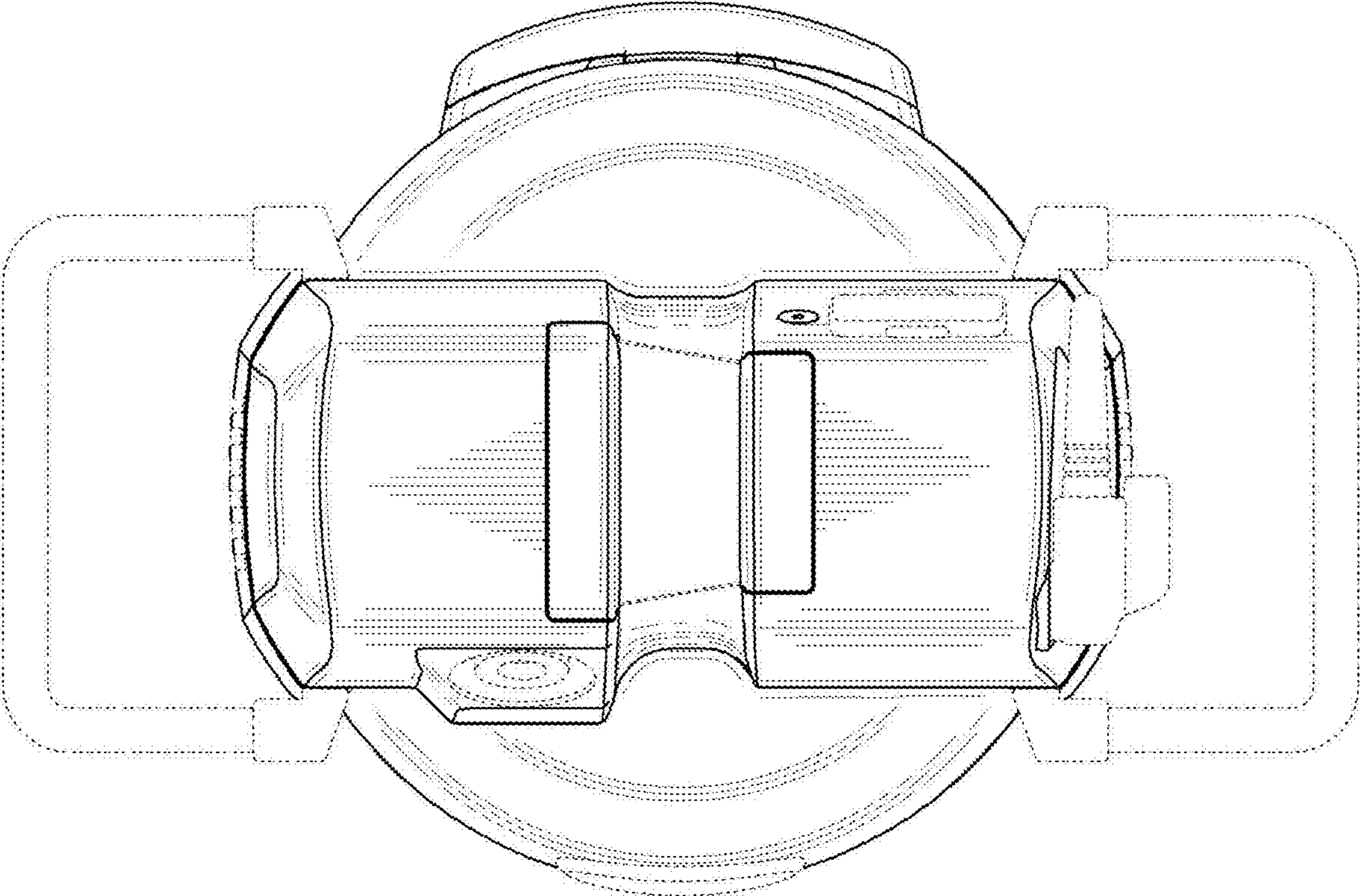
1.3



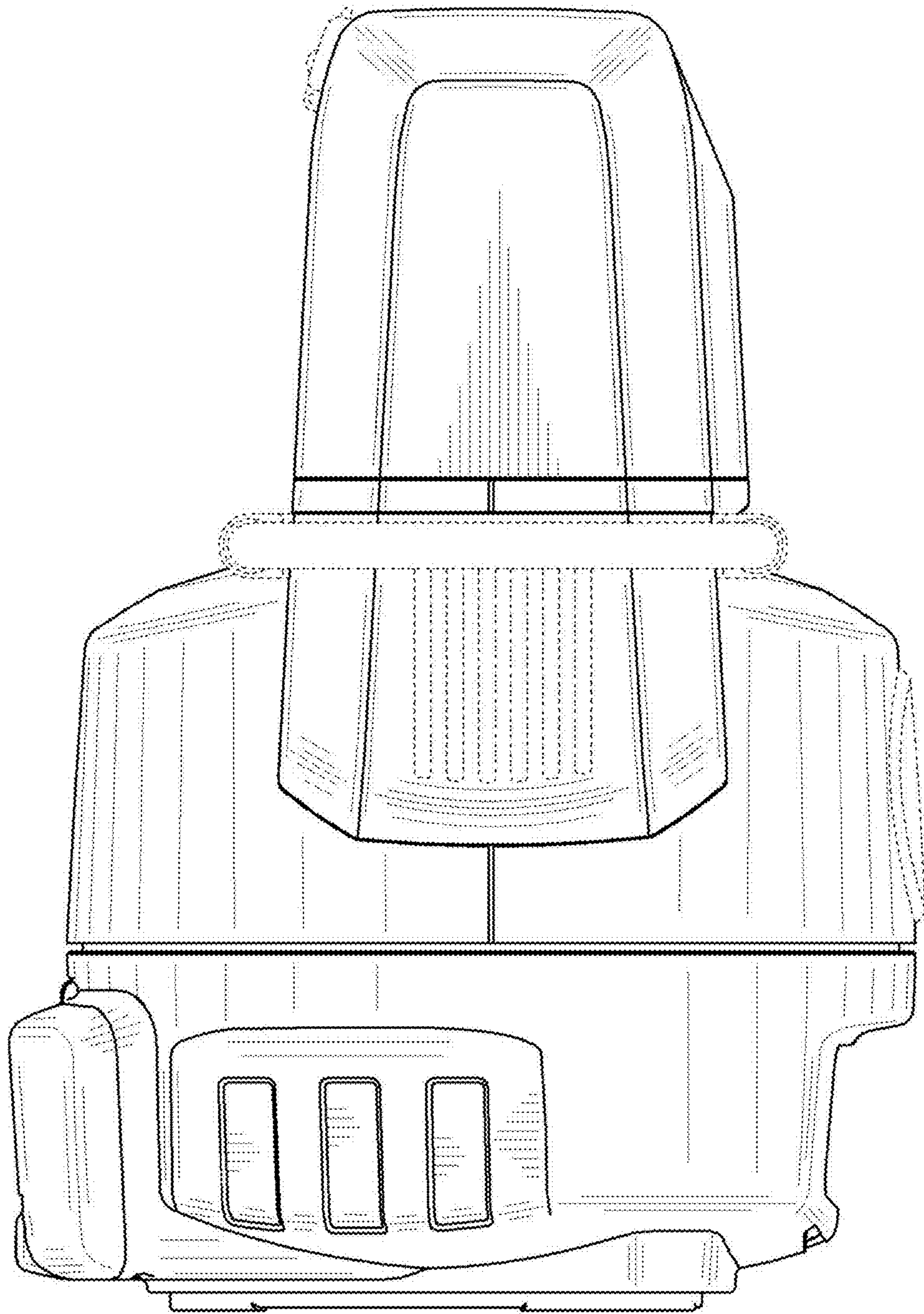
1.4



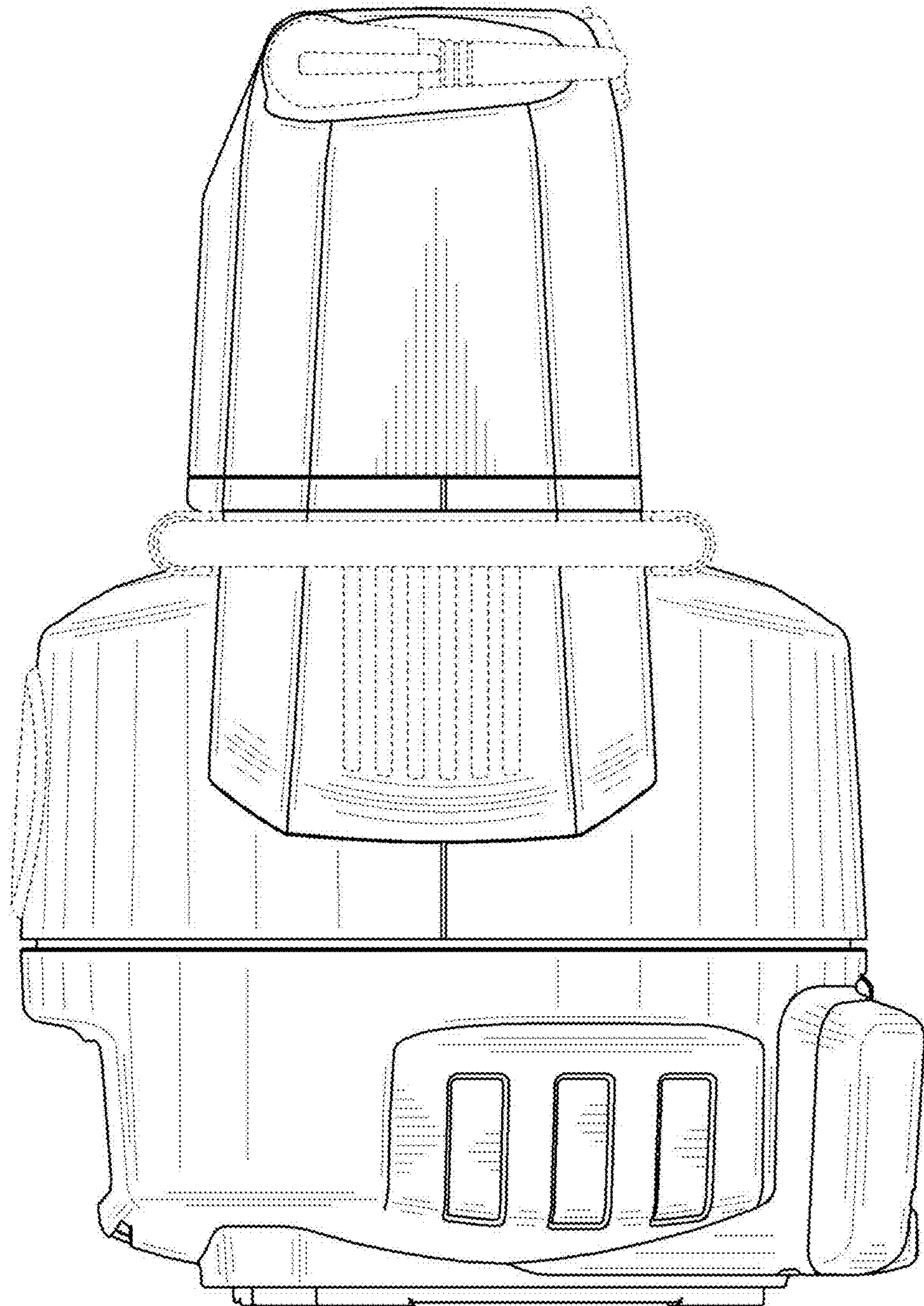
1.5



1.6



1.7



1.8

