



US00D971033S

(12) **United States Design Patent** (10) **Patent No.:** **US D971,033 S**  
**King et al.** (45) **Date of Patent:** **\*\* \*Nov. 29, 2022**

(54) **PARKING PAY STATION**

(56)

**References Cited**

(71) Applicant: **IPS Group Inc.**, San Diego, CA (US)

U.S. PATENT DOCUMENTS

(72) Inventors: **David William King**, Rancho Santa Fe, CA (US); **Choor-Hong Tan**, Epping (AU); **Derek Wu**, Strathfield (AU); **David Andrew Jones**, Beecroft (AU)

D161,888 S	2/1951	Wilkin
D246,917 S	1/1978	Sauter
4,615,280 A	10/1986	Shoop et al.
4,754,126 A	6/1988	Caldwell
D331,996 S	12/1992	Fukutake et al.
D336,860 S	6/1993	Clough
D342,209 S	12/1993	Clough
D354,047 S	1/1995	Leggate et al.
D360,734 S	7/1995	Hall
D360,737 S	7/1995	Helbig, Jr.
D375,607 S	11/1996	Hall
D396,655 S	8/1998	Anderson
5,915,246 A	6/1999	Patterson et al.
D412,289 S	7/1999	Winwood
6,029,888 A	2/2000	Harvey
D430,045 S	8/2000	Omuro et al.
D431,788 S	10/2000	Tuxen et al.
D437,468 S	2/2001	Fukutake et al.
D447,519 S	9/2001	Pinchuk et al.
D448,910 S	10/2001	Kit
D450,253 S	11/2001	Marguet
D454,421 S	3/2002	Jeon
D460,005 S	7/2002	Jacquet
D472,362 S	3/2003	Zerman et al.
6,527,172 B1	3/2003	Lewis et al.
D481,516 S	10/2003	Magee
D485,417 S	1/2004	Magee
D488,280 S	4/2004	Zerman
D492,080 S	6/2004	Magee
D492,081 S	6/2004	Magee
D494,730 S	8/2004	Magee
D497,814 S	11/2004	Odinotski et al.
D505,240 S	5/2005	Swaine et al.
D505,765 S	5/2005	Swaine et al.
D510,751 S	10/2005	Magee et al.
7,004,385 B1	2/2006	Douglass
7,040,534 B2 *	5/2006	Turocy ..... G07F 19/202 902/8
D530,880 S	10/2006	Magee et al.
7,131,576 B2	11/2006	Utz et al.
D538,505 S	3/2007	Kang
7,222,782 B2	5/2007	Lute, Jr. et al.
7,347,368 B1	3/2008	Gravelle et al.
D570,920 S	6/2008	Choi
7,419,091 B1	9/2008	Scanlon
D579,795 S	11/2008	Martinez et al.
7,445,144 B2	11/2008	Schlabach et al.
D582,125 S	12/2008	Kang et al.
D592,825 S	5/2009	Kang et al.

(73) Assignee: **IPS GROUP INC.**, San Diego, CA (US)

(\*) Notice: This patent is subject to a terminal disclaimer.

(\*\*) Term: **15 Years**

(21) Appl. No.: **29/700,892**

(22) Filed: **Aug. 6, 2019**

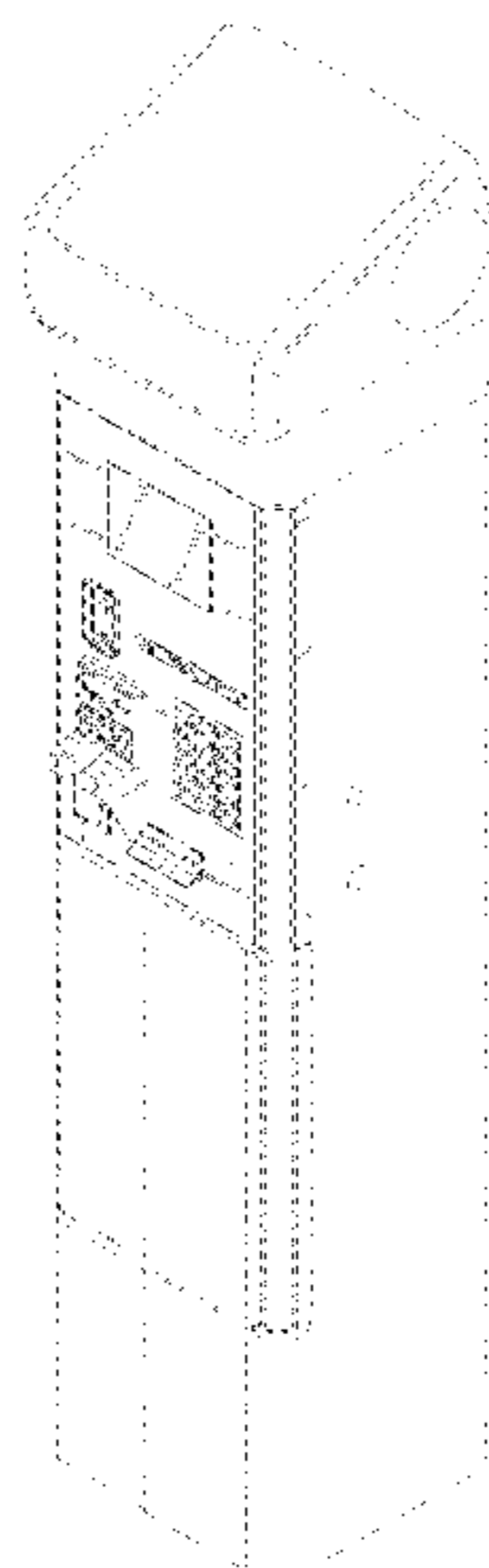
(51) **LOC (13) Cl.** ..... **10-03**

(52) **U.S. Cl.**  
USPC ..... **D10/42**; D99/28; D18/4.4; D18/4.6

(58) **Field of Classification Search**  
USPC ..... D99/28, 34, 35, 36, 43, 99; D10/40, 41, D10/42; D14/300, 301, 302, 305, 307, D14/900-902; D21/324, 325, 329, 369, D21/370; D18/3.1, 3.2, 3.3, 4.1, 4.2, 4.3, D18/4.4, 4.5, 4.6, 11, 12, 12.1, 12.2, D18/12.3; 705/16, 17, 18, 42, 43, 44, 45; 235/379, 380, 381; 194/205; 109/1 R, 109/1 V, 2, 23, 24.1, 25, 58, 58.5, 66; 52/36.1; 101/66

CPC .. G06Q 20/10; G06Q 20/108; G06Q 20/1085; G06Q 20/18; G07D 1/00; G07D 1/02; G07D 1/04; G07D 1/06; G07D 11/00; G07D 9/002; G07D 9/04; G07F 19/20; G07F 19/201; G07F 19/202; G07F 19/203; G07F 19/204; G07F 19/205; G07F 19/21; G07F 19/00; G07F 7/04; G07F 5/00; G07F 1/00; E05G 7/001

See application file for complete search history.



7,533,802 B1 5/2009 McGinley et al.  
D596,373 S 7/2009 Kang et al.  
D596,374 S 7/2009 Kang  
7,575,166 B2 8/2009 McNamara  
7,611,045 B1 11/2009 Lute et al.  
7,624,919 B2 12/2009 Meek et al.  
7,699,224 B2 4/2010 Mole  
D615,274 S 5/2010 Kim et al.  
7,717,327 B2 5/2010 Gomes et al.  
7,726,558 B1 6/2010 Lute et al.  
D625,305 S 10/2010 Bleck  
D629,585 S 12/2010 Bleck et al.  
D632,740 S 2/2011 Adeline  
7,891,546 B1 2/2011 Steinbach et al.  
D645,223 S 9/2011 Bleck  
D652,872 S 1/2012 Mougín et al.  
D653,014 S 1/2012 Rohan  
D653,420 S 1/2012 Rohan  
D653,421 S 1/2012 Rohan  
D653,424 S 1/2012 Rohan  
8,181,857 B1 5/2012 Lute et al.  
D672,525 S 12/2012 Lee et al.  
D674,985 S 1/2013 Lee  
D677,035 S 2/2013 Lee  
D677,714 S 3/2013 Helgesson et al.  
D680,156 S 4/2013 Hernandez et al.  
D681,717 S 5/2013 Helgesson et al.  
D682,504 S 5/2013 Lee et al.  
D691,165 S 10/2013 Attoma  
D693,983 S 11/2013 Budde et al.  
8,573,484 B1 11/2013 Irudayam et al.  
D696,484 S 12/2013 Lee  
D696,485 S 12/2013 Lee  
D702,913 S 4/2014 Budde  
D702,914 S 4/2014 Budde  
D716,515 S 10/2014 Cha  
D722,740 S 2/2015 Budde  
D724,290 S 3/2015 Cha et al.  
D724,811 S 3/2015 Reitingger  
D724,812 S 3/2015 Cha et al.  
D725,504 S 3/2015 McEneany et al.  
D728,190 S 4/2015 Sheley  
D732,263 S 6/2015 Budde et al.  
D735,437 S 7/2015 Randall et al.  
D735,438 S 7/2015 Randall et al.  
D735,440 S 7/2015 Randall et al.  
D735,963 S 8/2015 Randall et al.  
D735,965 S 8/2015 Randall et al.  
D739,637 S 9/2015 Randall  
D739,638 S 9/2015 Randall  
D739,639 S 9/2015 Randall  
D741,040 S 10/2015 Budde et al.  
D742,090 S 10/2015 Randall  
D743,956 S \* 11/2015 Kraft ..... D14/307  
D746,015 S 12/2015 King et al.  
D748,364 S 1/2016 King et al.  
D748,888 S 2/2016 King et al.  
D749,290 S 2/2016 Pollmann  
D762,040 S 7/2016 King et al.  
D769,570 S 10/2016 Kraft et al.  
D769,571 S 10/2016 Lee et al.  
D769,572 S 10/2016 Park et al.  
D779,771 S 2/2017 King et al.  
D779,772 S 2/2017 King et al.  
D779,773 S 2/2017 King et al.  
D779,774 S \* 2/2017 King ..... D99/28  
D781,024 S 3/2017 King et al.  
D791,621 S 7/2017 Loye et al.  
D792,049 S \* 7/2017 Oh ..... D99/28  
D795,523 S 8/2017 King et al.  
D802,874 S 11/2017 King et al.  
D802,875 S 11/2017 King et al.  
D802,876 S 11/2017 King et al.  
D802,877 S 11/2017 King et al.  
D802,878 S 11/2017 King et al.  
9,842,455 B2 \* 12/2017 MacKay ..... G07F 17/248  
D813,059 S \* 3/2018 MacKay ..... D99/28  
D832,553 S \* 10/2018 Angelopoulos ..... D99/28  
D863,074 S \* 10/2019 MacKay ..... D10/42

D863,075 S \* 10/2019 MacKay ..... D10/42  
D863,076 S \* 10/2019 MacKay ..... D10/42  
D863,987 S \* 10/2019 MacKay ..... D10/42  
D863,988 S \* 10/2019 MacKay ..... D10/42  
D879,404 S \* 3/2020 Morishita ..... D99/28  
D883,605 S \* 5/2020 Lee ..... D99/28  
RE48,566 E \* 5/2021 MacKay ..... G09F 23/00  
D10/42  
2004/0016796 A1 \* 1/2004 Hanna ..... G07D 11/14  
705/64  
2004/0059693 A1 3/2004 Hausen et al.  
2004/0262379 A1 \* 12/2004 Gomes ..... G07F 17/0014  
235/379  
2005/0029340 A1 2/2005 Ferraro  
2006/0152385 A1 \* 7/2006 Mandy ..... G07F 17/24  
340/932.2  
2007/0046651 A1 3/2007 Sinclair et al.  
2007/0276724 A1 11/2007 Catt  
2008/0257965 A1 10/2008 Klein et al.  
2008/0265019 A1 10/2008 Artino et al.  
2008/0296365 A1 12/2008 Schliebe  
2009/0057398 A1 3/2009 Douglass et al.  
2010/0161489 A1 6/2010 Goodall et al.  
2010/0187300 A1 7/2010 Ramachandran et al.  
2010/0241564 A1 9/2010 Miller et al.  
2010/0243729 A1 9/2010 Russell et al.  
2011/0133613 A1 6/2011 Descamps et al.  
2011/0320243 A1 12/2011 Khan  
2012/0286036 A1 11/2012 Jones et al.  
2014/0165885 A1 6/2014 Denny et al.

**FOREIGN PATENT DOCUMENTS**

AT	507762	A1	7/2010
CA	2517717	A1	9/2004
EP	1227448	A2	7/2002
FR	2928678	A1	9/2009
FR	2979726	A1	3/2013
JP	3441832	B2	9/2003
JP	4247079	B2	4/2009
JP	5238316	B2	7/2013
WO	WO-02084600	A1	10/2002
WO	WO-03065322	A1	8/2003
WO	WO-2010062105	A2	6/2010
WO	WO-2014127384	A1	8/2014

**OTHER PUBLICATIONS**

Parking Pay Stations, <https://www.cityofcocoabeach.com/642/Parking-Pay-Stations>, retrieved on Jun. 10, 2021 (Year: 2021).\*

No change for car park charge? Just RingGo, <https://www.northern-times.co.uk/news/no-change-for-car-park-charge-just-ringgo-140901/>, Jul. 6, 2017 (Year: 2017).\*

Co-pending U.S. Appl. No. 16/441,800, filed Jun. 14, 2019.

Co-pending U.S. Appl. No. 29/700,889, filed Aug. 6, 2018.

Co-pending U.S. Appl. No. 29/700,891, filed Aug. 6, 2019.

Co-pending U.S. Appl. No. 29/700,893, filed Aug. 6, 2019.

Co-pending U.S. Appl. No. 29/700,894, filed Aug. 6, 2019.

E-Bay: Amano McGann MSM Metric Elite LS Solar Electric Parking Lot Credit Pay Station, 5 pages, [www.ebay.com/itm/363873148900](http://www.ebay.com/itm/363873148900) (2022).

Nebraska Innovation Campus: Additional way to pay metered street parking at NIC, <https://innovate.unl.edu/news/additional-way-pay-metered-street-parking-nic>, 2 pages (2022).

\* cited by examiner

*Primary Examiner* — Elizabeth J Oswecki  
(74) *Attorney, Agent, or Firm* — Wilson Sonsini Goodrich & Rosati

(57) **CLAIM**

The ornamental design for a parking pay station, as shown and described.

**DESCRIPTION**

FIG. 1 is a top front right perspective view of a parking pay station, showing our new design;

FIG. 2 is a top back left perspective view thereof;

FIG. 3 is a front elevational view thereof;

FIG. 4 is a back elevational view thereof;

FIG. 5 is a left side elevational view thereof;

FIG. 6 is a right side elevational view thereof; and,

FIG. 7 is a top plan view thereof.

The broken lines shown in the drawings represent portions of the parking pay station that form no part of the claimed design. The letters, number, and symbols on the buttons and panels shown in FIGS. 1 and 3 and the small circles in FIG. 7 are in broken lines and form no part of the claimed design.

**1 Claim, 7 Drawing Sheets**

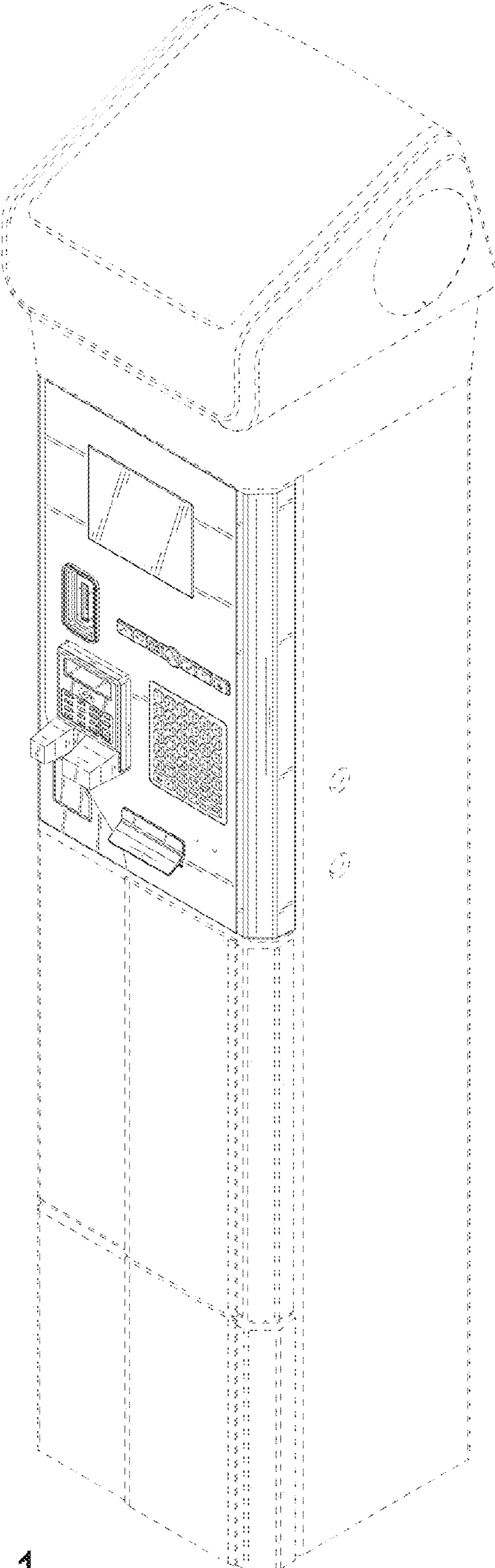


FIG. 1

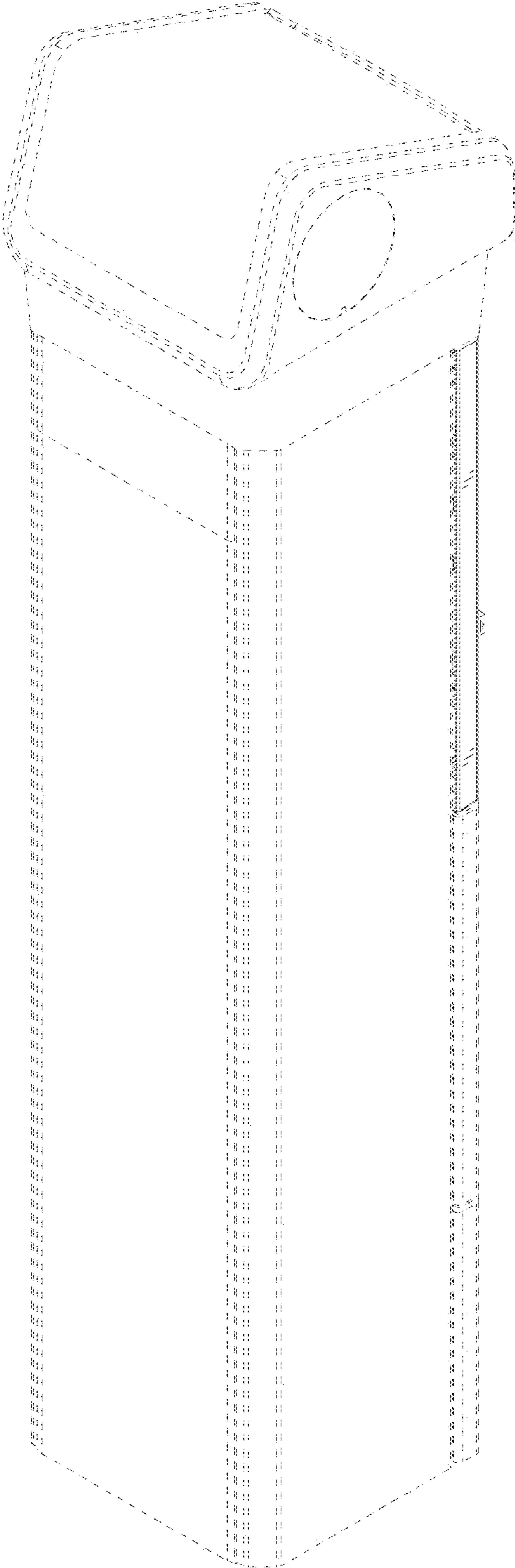


FIG. 2

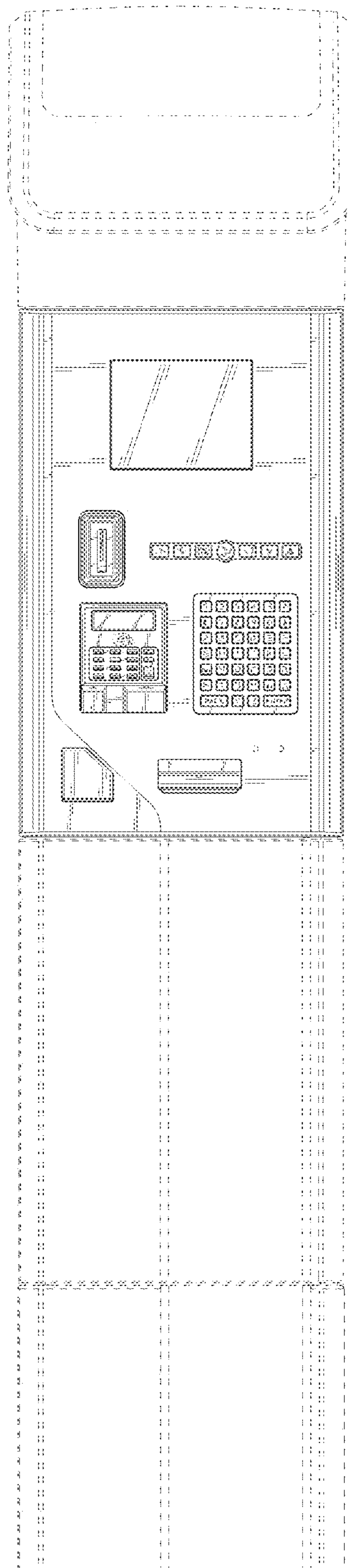


FIG. 3

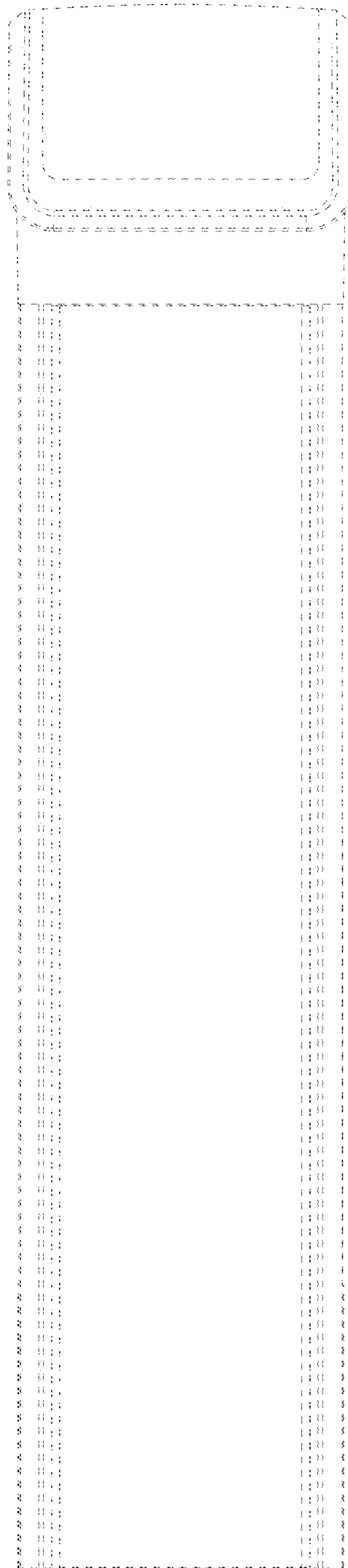


FIG. 4

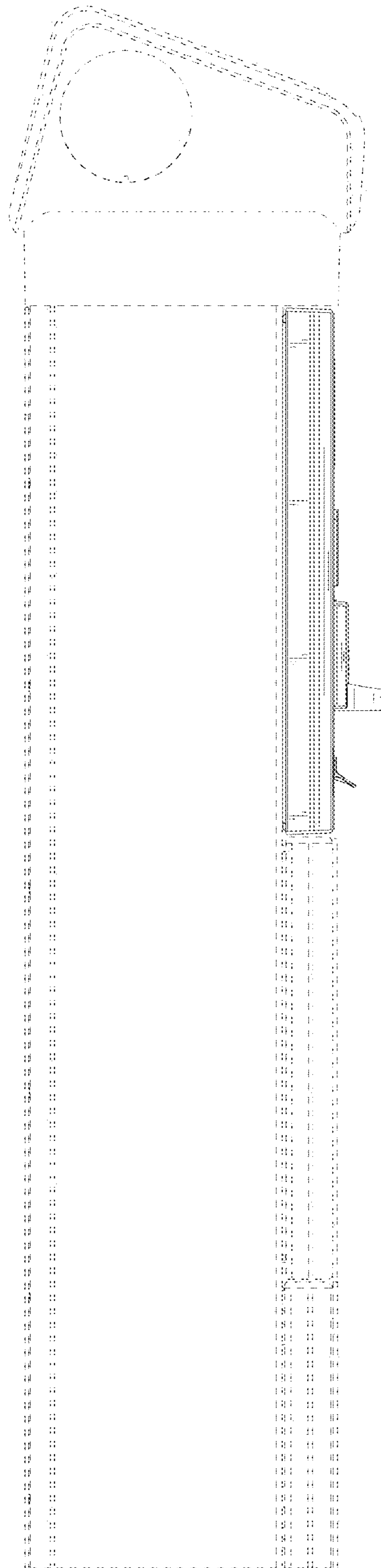


FIG. 5



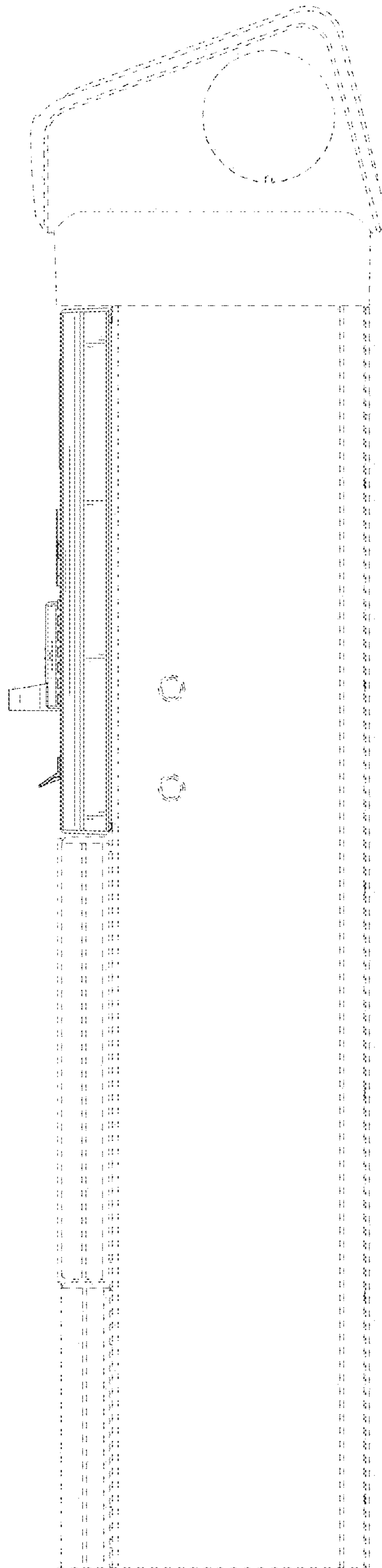


FIG. 6

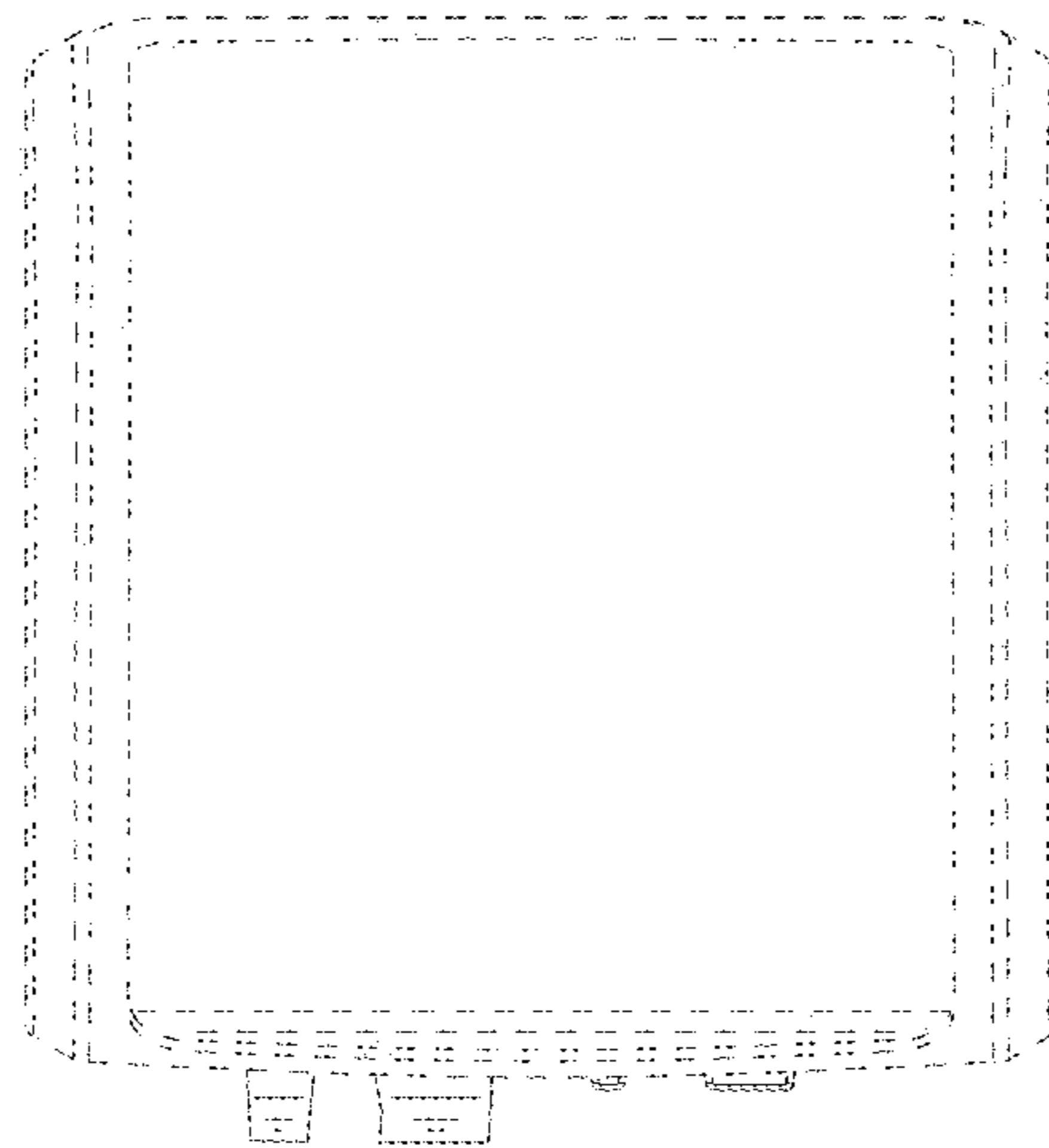


FIG. 7