



US00D971032S

(12) **United States Design Patent** (10) **Patent No.:** **US D971,032 S**
Savard (45) **Date of Patent:** **** Nov. 29, 2022**

(54) **WATCH** D352,007 S * 11/1994 Boucheron D10/30
D363,030 S * 10/1995 Kubo D10/30
(71) Applicant: **Cartier International AG**, Steinhausen D393,598 S * 4/1998 Perrin D10/39
(CH) D403,599 S * 1/1999 Emmenegger D10/30
(72) Inventor: **Guillaume Savard**, Asnières sur Seine D432,438 S * 10/2000 Lassigne D10/39
(FR) D506,935 S * 7/2005 Dreyfuss D10/32
D508,421 S * 8/2005 Diltoer D10/39
D514,457 S * 2/2006 Diltoer D10/39
D546,203 S * 7/2007 Campos D10/32
(**) Term: **15 Years** (Continued)

(21) Appl. No.: **35/513,804**

FOREIGN PATENT DOCUMENTS

(22) Filed: **Feb. 26, 2022**

GB 8103557000-1000 * 8/2018
TW 110305893 * 11/2021

(80) **Hague Agreement Data**

Int. Filing Date: **Feb. 26, 2022**
Int. Reg. No.: **DM/219293**
Int. Reg. Date: **Feb. 26, 2022**
Int. Reg. Pub. Date: **Mar. 11, 2022**

OTHER PUBLICATIONS

Monochrome Watches, Introducing The Santos de Cartier Goes Blue from Strap to Bezel, posted Apr. 4, 2022, [online], [visited Aug. 8, 2022]. Internet, <URL: <https://monochrome-watches.com/santos-de-cartier-blue-pvd-2022-introducing-specs-price/>> (Year: 2022).*

(51) **LOC (13) Cl.** **10-02**

(52) **U.S. Cl.** **D10/39**
USPC

(Continued)

(58) **Field of Classification Search**
USPC D10/1, 30-39, 122-126
CPC G04B 37/00; G04B 37/0008; G04B 37/04;
G04B 37/06; G04B 37/12; G04B 37/18;
G04B 39/00; G04B 39/002; G04B
39/004; G04B 39/008; G04B 39/02;
G04B 19/00; G04B 19/02; G04B 19/04;
G04B 19/06; G04B 19/08; G04B 19/20
See application file for complete search history.

Primary Examiner — Samantha Wood

(57) **CLAIM**

The ornamental design for a watch, as shown and described.

(56) **References Cited**

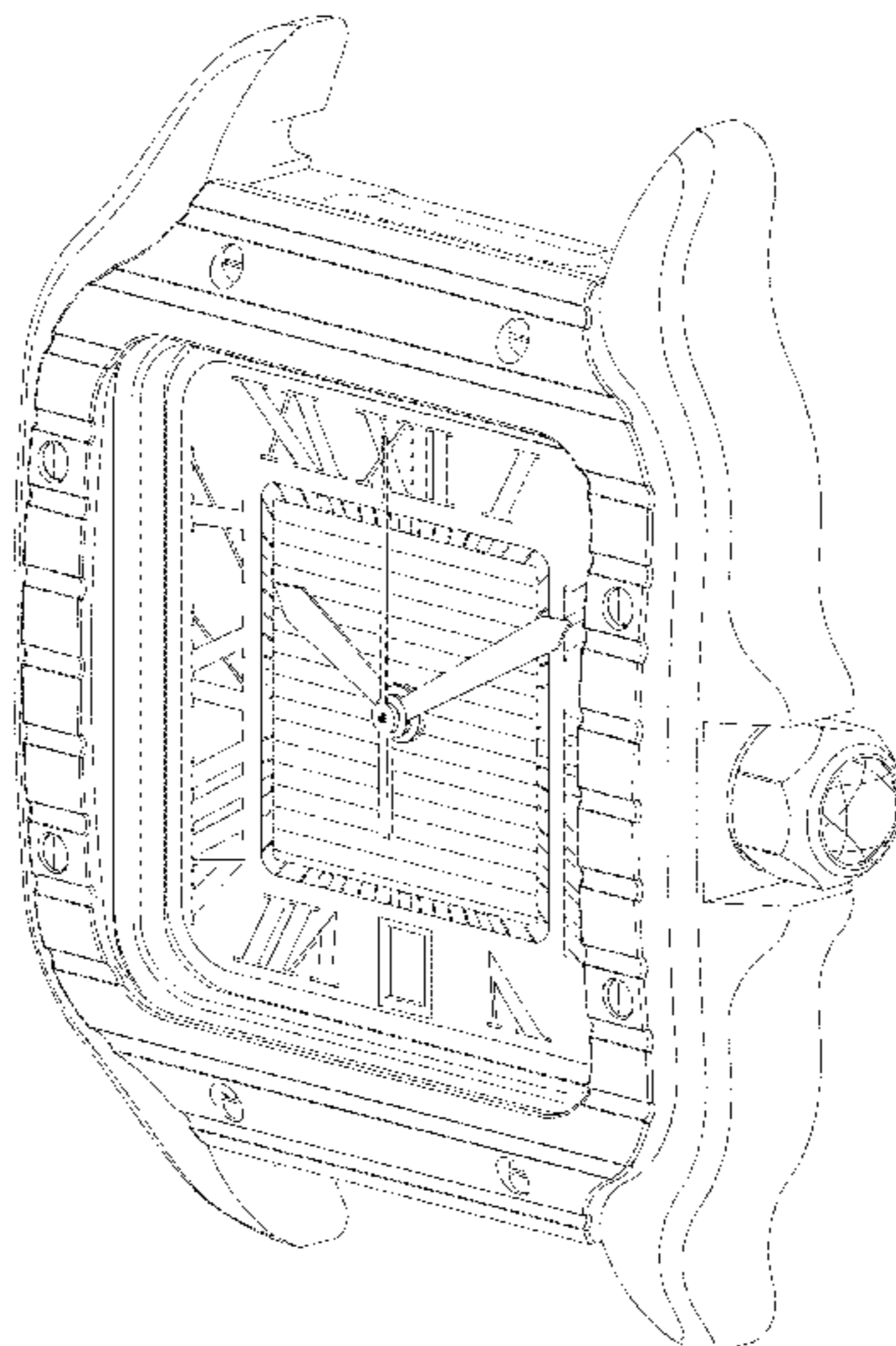
U.S. PATENT DOCUMENTS

2,989,838 A * 6/1961 Willi Guggi G04B 37/0008
968/295
D250,693 S * 1/1979 Perrin D10/39
D252,450 S * 7/1979 Sulek D10/38
D267,549 S * 1/1983 Kanoui D10/39
D279,271 S * 6/1985 Bouille D10/30
D287,472 S * 12/1986 Hotz D10/39
D324,181 S * 2/1992 Boucheron D10/39

DESCRIPTION

1. Watch
1.1 : Front View
1.2 : Rear View
1.3 : Top View
1.4 : Bottom View
1.5 : Left Side View
1.6 : Right Side View
1.7 : Front Perspective View
1.8 : Rear Perspective View
The broken lines depict portions of the watch that form no part of the claimed design.

1 Claim, 8 Drawing Sheets



(56)

References Cited

U.S. PATENT DOCUMENTS

D549,599 S * 8/2007 Gruosi D10/38
 D553,021 S * 10/2007 Bodino D10/39
 D562,157 S * 2/2008 Campos D10/39
 D576,055 S * 9/2008 Vaptzarof D10/39
 D600,144 S * 9/2009 Diltor D10/38
 D606,889 S * 12/2009 Nusbbaumer D10/39
 D612,750 S * 3/2010 Fontana D10/39
 D620,381 S * 7/2010 Rabassa D10/126
 D650,708 S * 12/2011 Laucella D10/39
 D650,709 S * 12/2011 Duport D10/39
 D658,517 S * 5/2012 Behling D10/39
 D664,879 S * 8/2012 Behling D10/126
 D665,291 S * 8/2012 Behling D10/126
 D667,735 S * 9/2012 Galli D10/39
 D677,186 S * 3/2013 Favre D10/123
 D760,717 S * 7/2016 Solomon D14/344

D773,457 S * 12/2016 Park D10/70
 D823,153 S * 7/2018 Rabassa D10/122
 D895,443 S * 9/2020 Lasserre D10/38

OTHER PUBLICATIONS

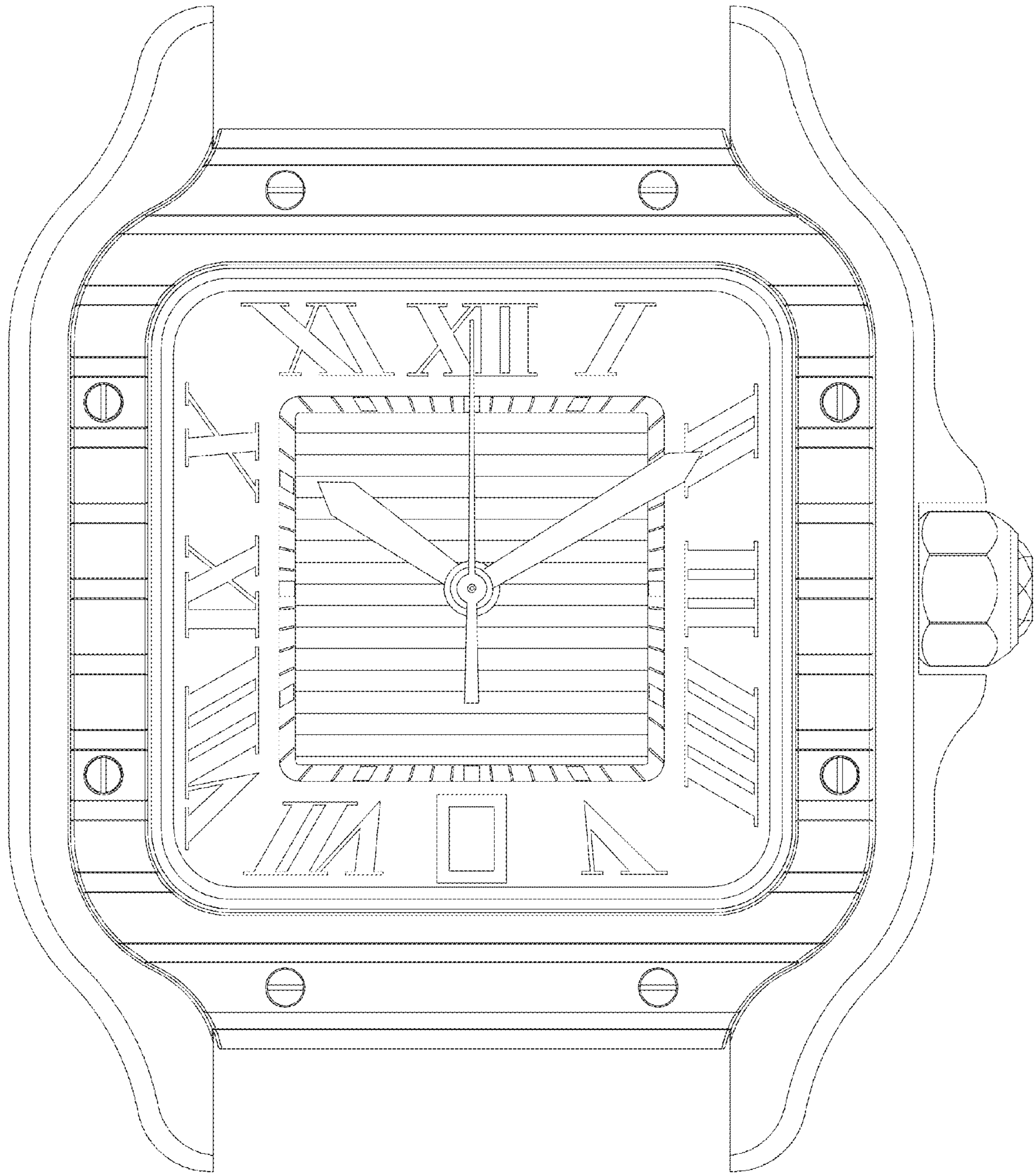
Youtube, 2 New Cartier Santos Blue Steel Bezel 2022, posted Apr. 3, 2022, [online], [visited Aug. 8, 2022]. Internet, <URL: <https://www.youtube.com/watch?v=iHcaQ1G9YrE>> (Year: 2022).*

Amazon, Agelocer Men's Top Brand Square Automatic Watch, posted Mar. 26, 2021, [online], [visited Aug. 8, 2022]. Internet, <URL: <https://www.amazon.com/dp/B0916TB17J/ref>> (Year: 2021).*

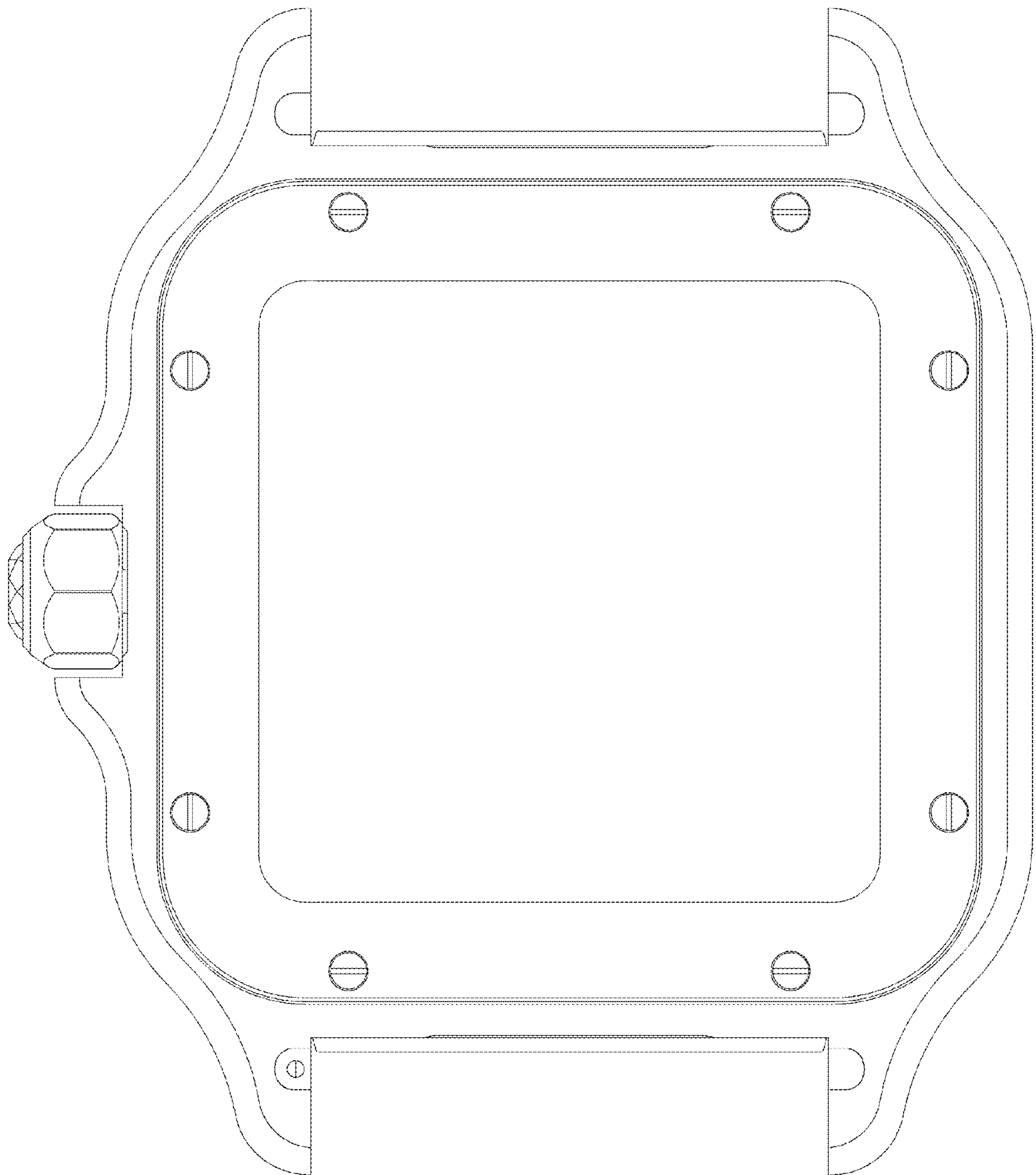
Word and Wound, Time Squared: Square Watch Guide, posted Aug. 30, 2013, [online], [visited Aug. 8, 2022]. Internet, <URL: <https://wornandwound.com/time-squared-square-watch-guide/>> (Year: 2013).*

Amazon, Diella Rectangle Men's Watch, posted Jul. 4, 2021, [online], [visited Aug. 8, 2022]. Internet, <URL: <https://www.amazon.com/dp/B0982ZHXY1/ref>> (Year: 2021).*

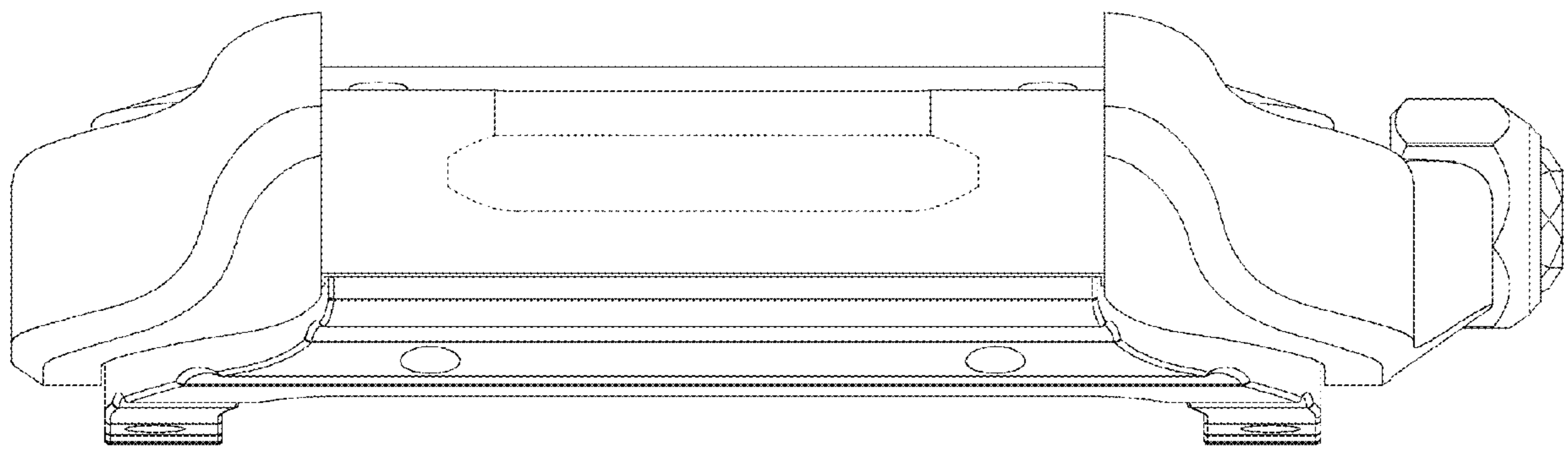
* cited by examiner



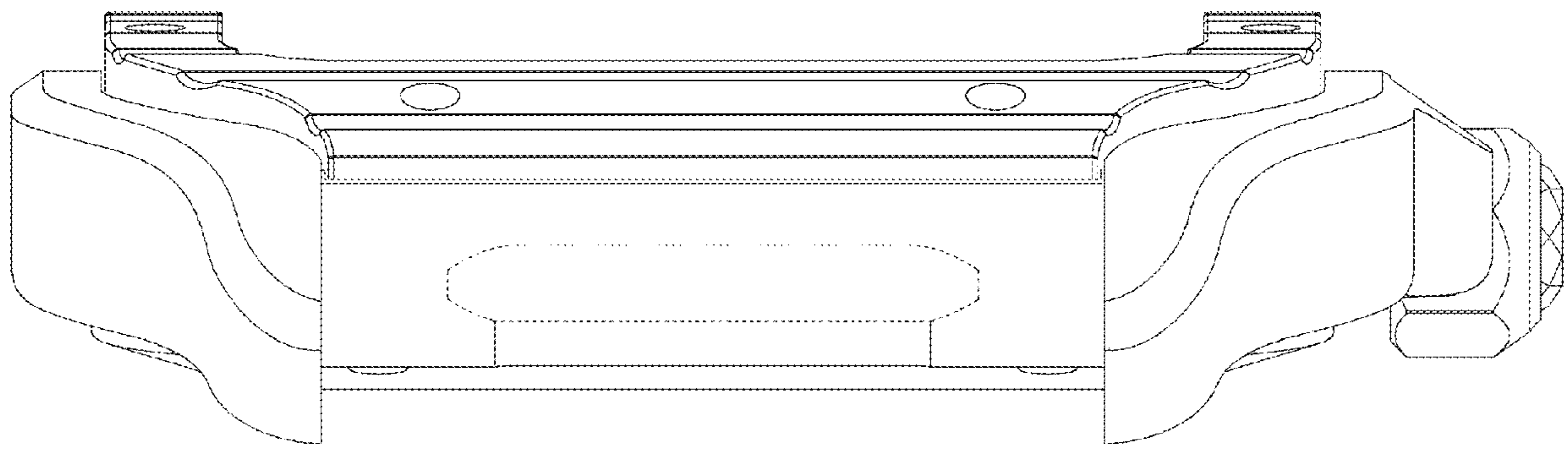
1.1



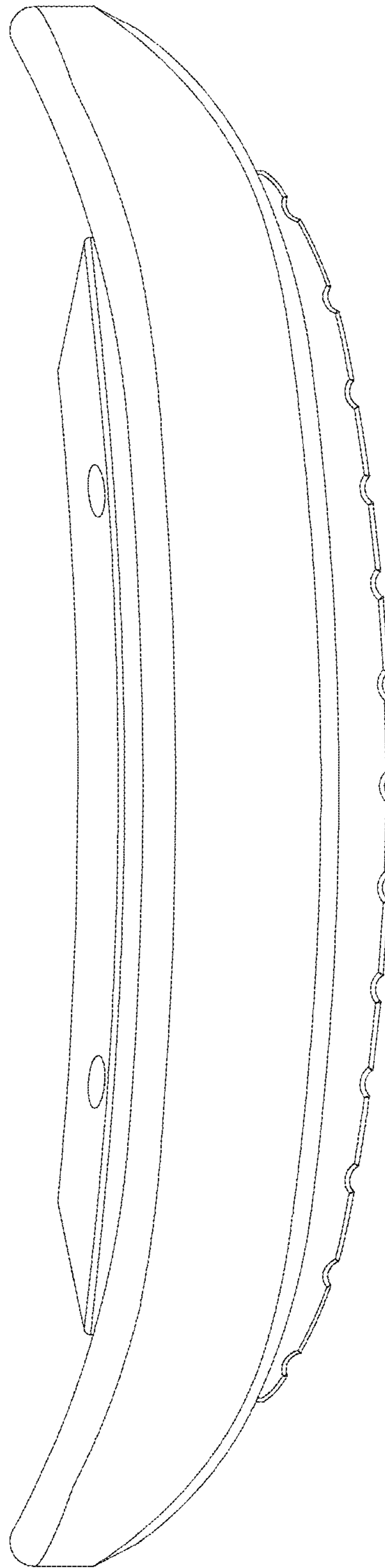
1.2



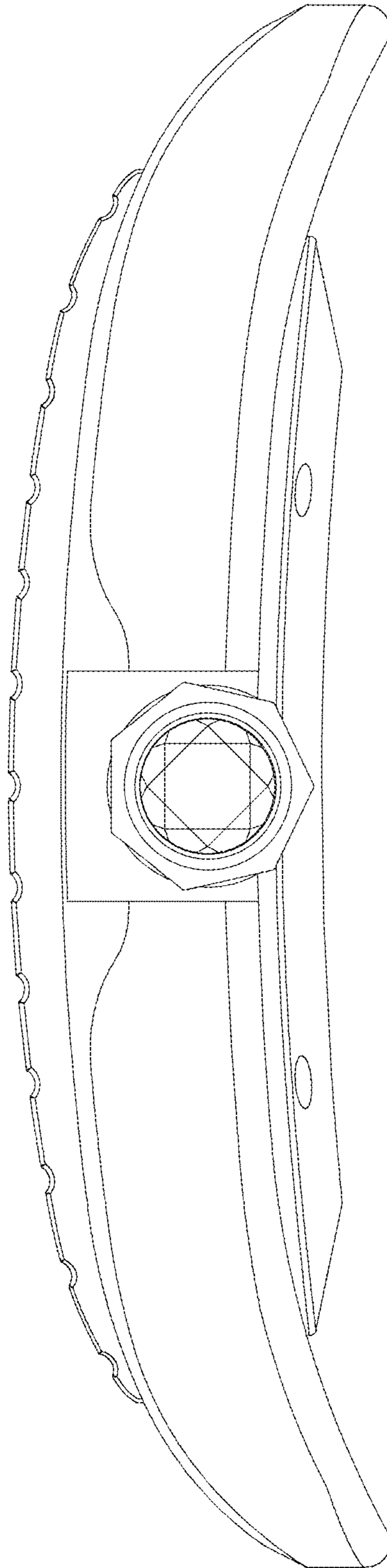
1.3



1.4



1.5



1.6

