



US00D971030S

(12) **United States Design Patent** (10) **Patent No.:** **US D971,030 S**
Qu (45) **Date of Patent:** **** Nov. 29, 2022**

(54) **WATCH CASE**

(71) Applicant: **Hailin Qu**, Liuyang (CN)

(72) Inventor: **Hailin Qu**, Liuyang (CN)

(**) Term: **15 Years**

(21) Appl. No.: **29/834,526**

(22) Filed: **Apr. 12, 2022**

(30) **Foreign Application Priority Data**

Mar. 29, 2022 (CN) 202230170669.0

(51) **LOC (13) Cl.** **10-02**

(52) **U.S. Cl.**
USPC **D10/32; D11/3; D10/132**

(58) **Field of Classification Search**
USPC D10/30-39, 132; D11/3; D14/344, 440
CPC A45C 11/10; A45C 11/12; G04B 37/005
See application file for complete search history.

(56) **References Cited**

U.S. PATENT DOCUMENTS

D766,906 S *	9/2016	Kim	D14/440
D767,573 S *	9/2016	Kim	D14/440
D798,744 S	10/2017	Wright et al.		
D854,960 S *	7/2019	Yu	D11/3
D856,160 S *	8/2019	Yu	D10/32
D897,868 S	10/2020	Wright et al.		
D903,508 S *	12/2020	Zhang	D10/30
D932,321 S *	10/2021	Jung	D14/440
D949,038 S *	4/2022	Hu	D10/132
D949,711 S *	4/2022	Huang	D10/32
D952,496 S *	5/2022	Yu	D10/30
D955,912 S *	6/2022	Ma	D10/32
D956,579 S *	7/2022	Shamsossadati	D10/38
D957,281 S *	7/2022	Huang	D10/132
D959,315 S *	8/2022	Xiao	D14/440

D959,993 S *	8/2022	Qin	D10/32
D962,083 S *	8/2022	Zheng	D10/32
D964,864 S *	9/2022	Zheng	D10/32
D964,865 S *	9/2022	Huang	D10/32
2013/0152276 A1 *	6/2013	Hsieh	G04G 17/08 2/243.1
2014/0078871 A1 *	3/2014	Savoy	A44C 5/00 368/282

OTHER PUBLICATIONS

Hisri Watch Band with Rigged PC Bumper | amazon.com; date first available Oct. 20, 2021 [online]. © 1996-2022, Amazon.com, Inc [retrieved Sep. 30, 2022] from Internet: <https://www.amazon.com/Hisri-Military-Drop-Proof-Protective-Compatible/dp/B09JW8NQQN (Year: 2021).*

* cited by examiner

Primary Examiner — Katherine Glennon
(74) *Attorney, Agent, or Firm* — Jeenam Park

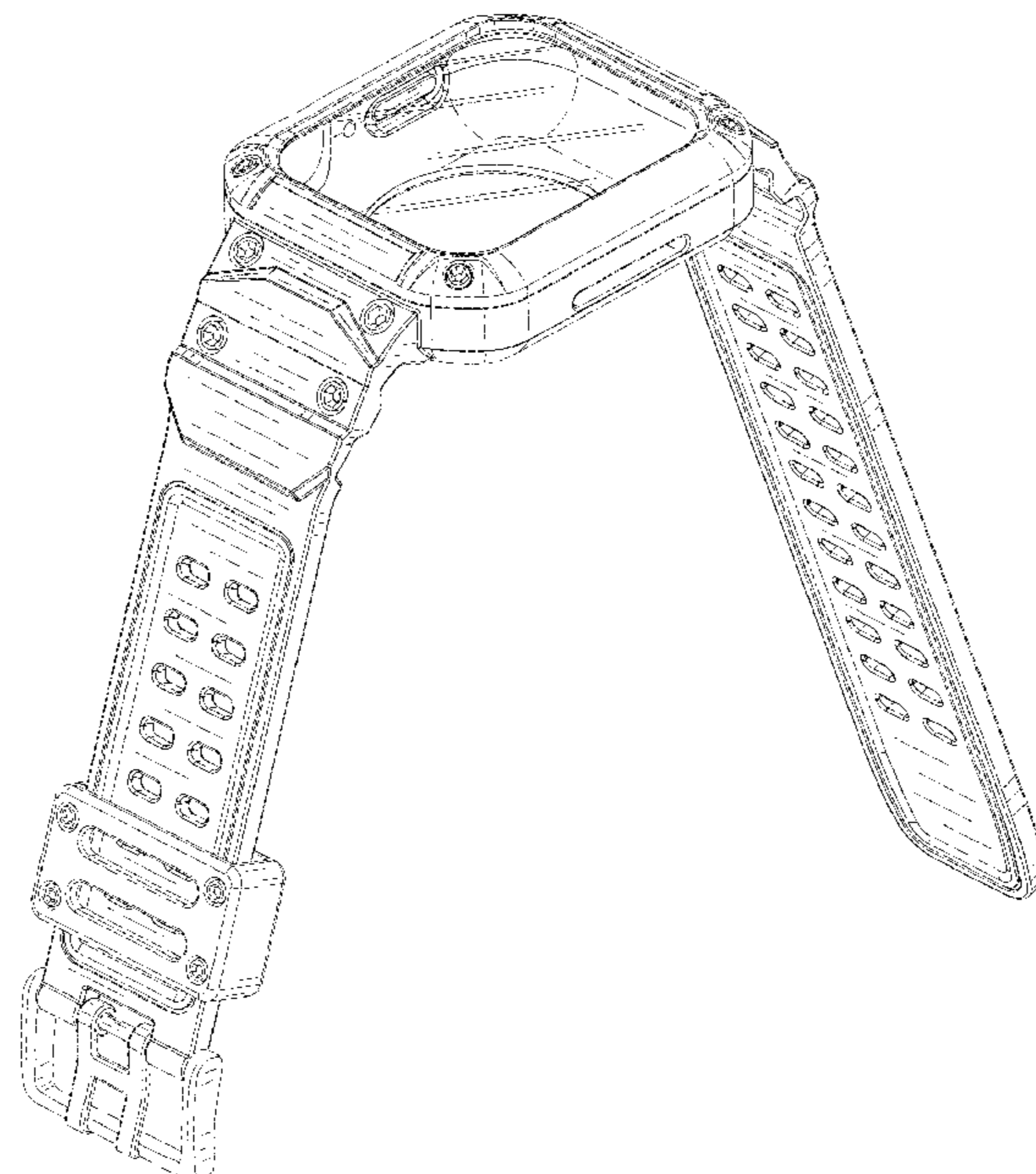
(57) **CLAIM**

The ornamental design for a watch case, as shown and described.

DESCRIPTION

FIG. 1 is a perspective view of a watch case, showing my new design;
FIG. 2 is a perspective view thereof, shown with the lid open;
FIG. 3 is another perspective view of FIG. 1;
FIG. 4 is a front view thereof;
FIG. 5 is a rear view thereof;
FIG. 6 is a left side view thereof;
FIG. 7 is a right side view thereof;
FIG. 8 is a top plan view thereof; and,
FIG. 9 is a bottom plan view thereof.
The broken lines show portions of the watch case that form no part of the claimed design.

1 Claim, 9 Drawing Sheets



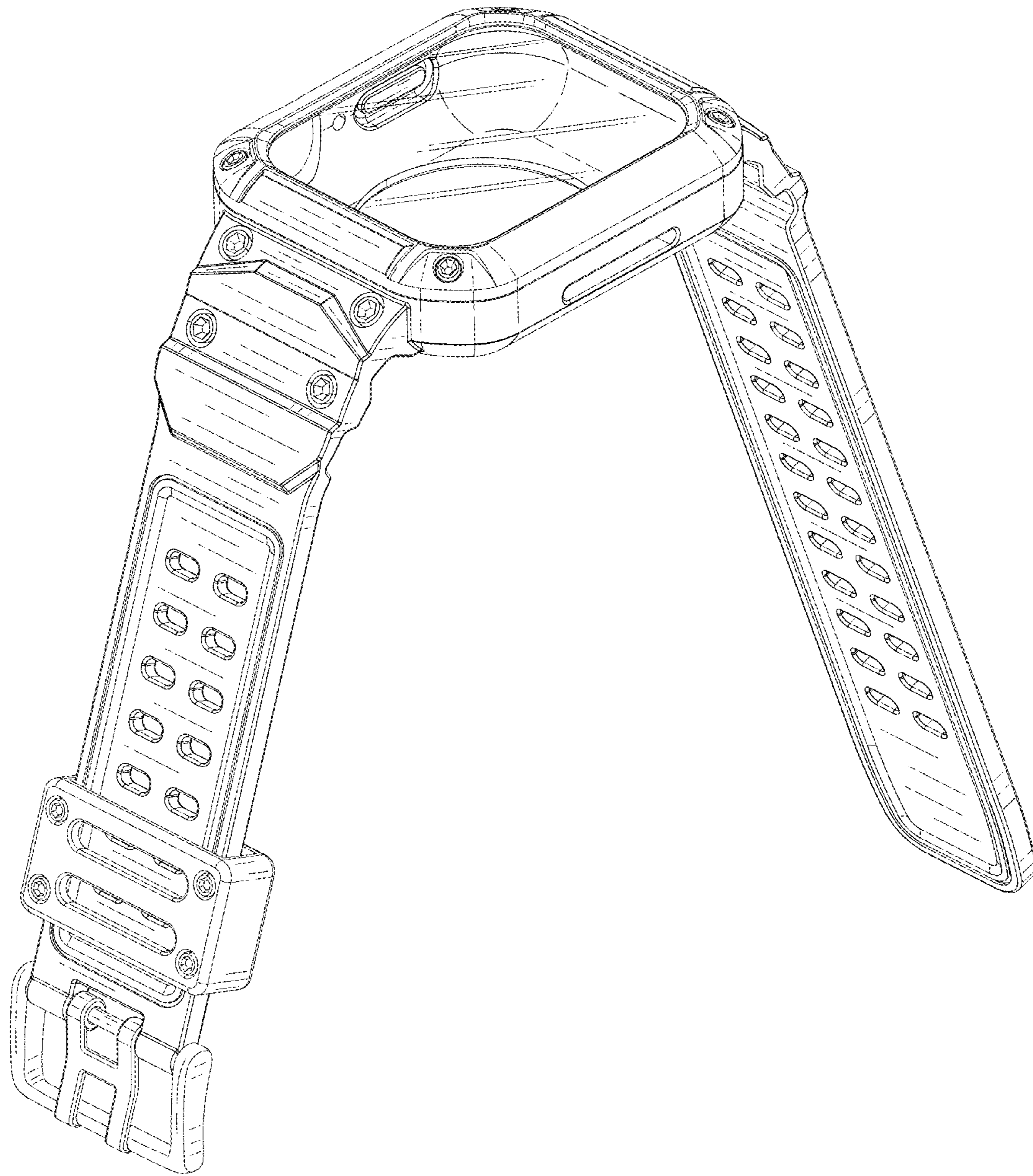


FIG. 1

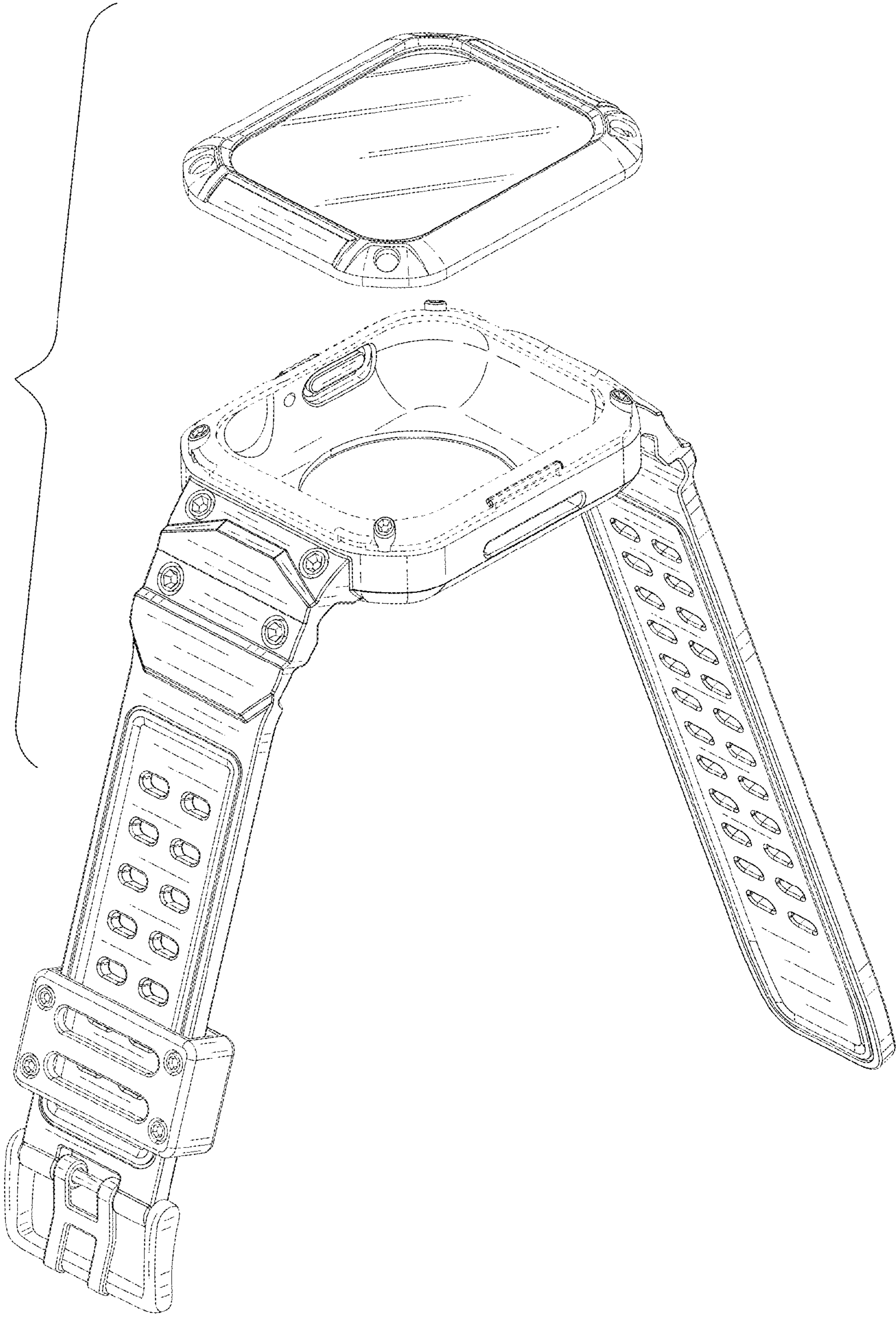


FIG. 2

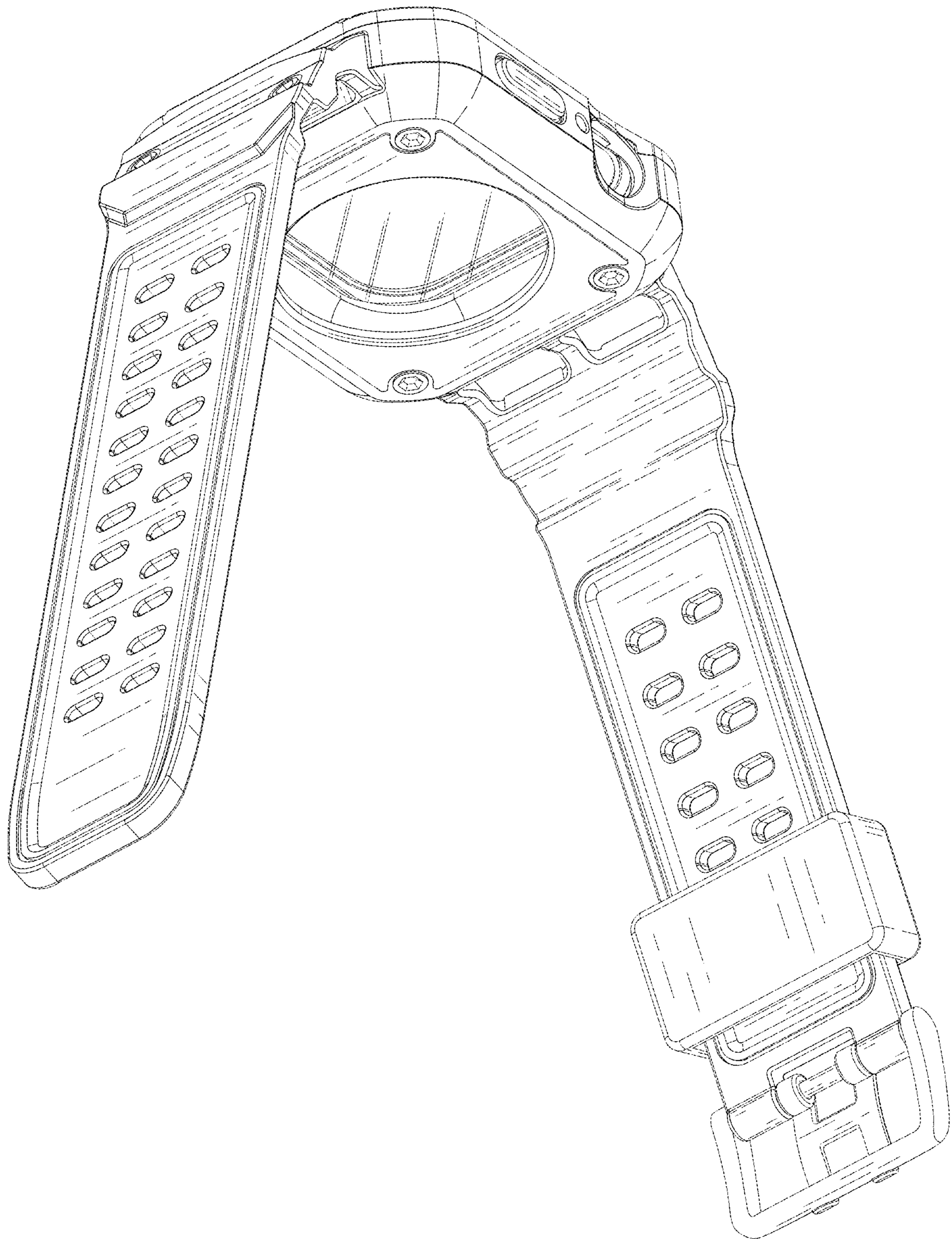


FIG. 3

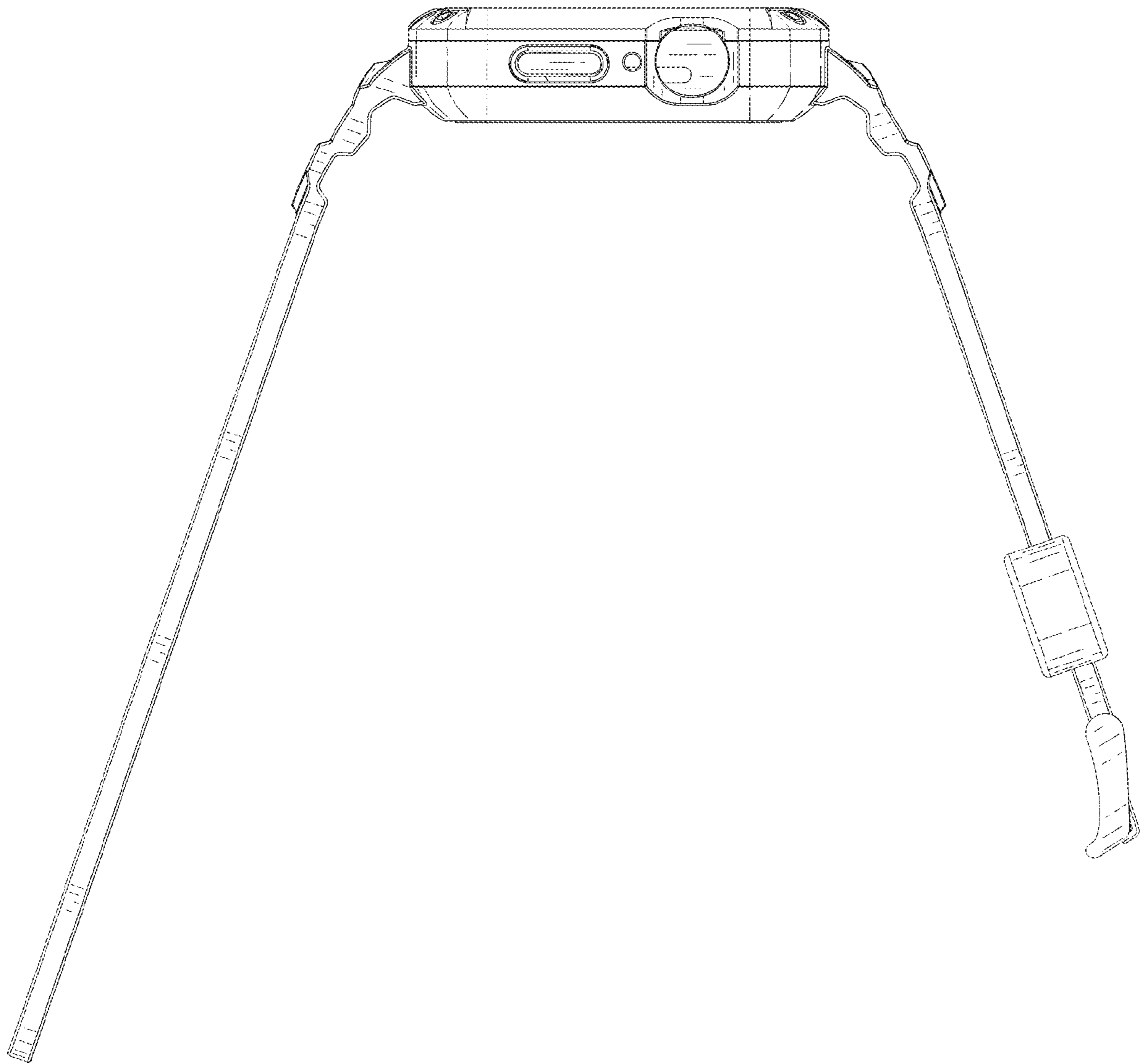


FIG. 4

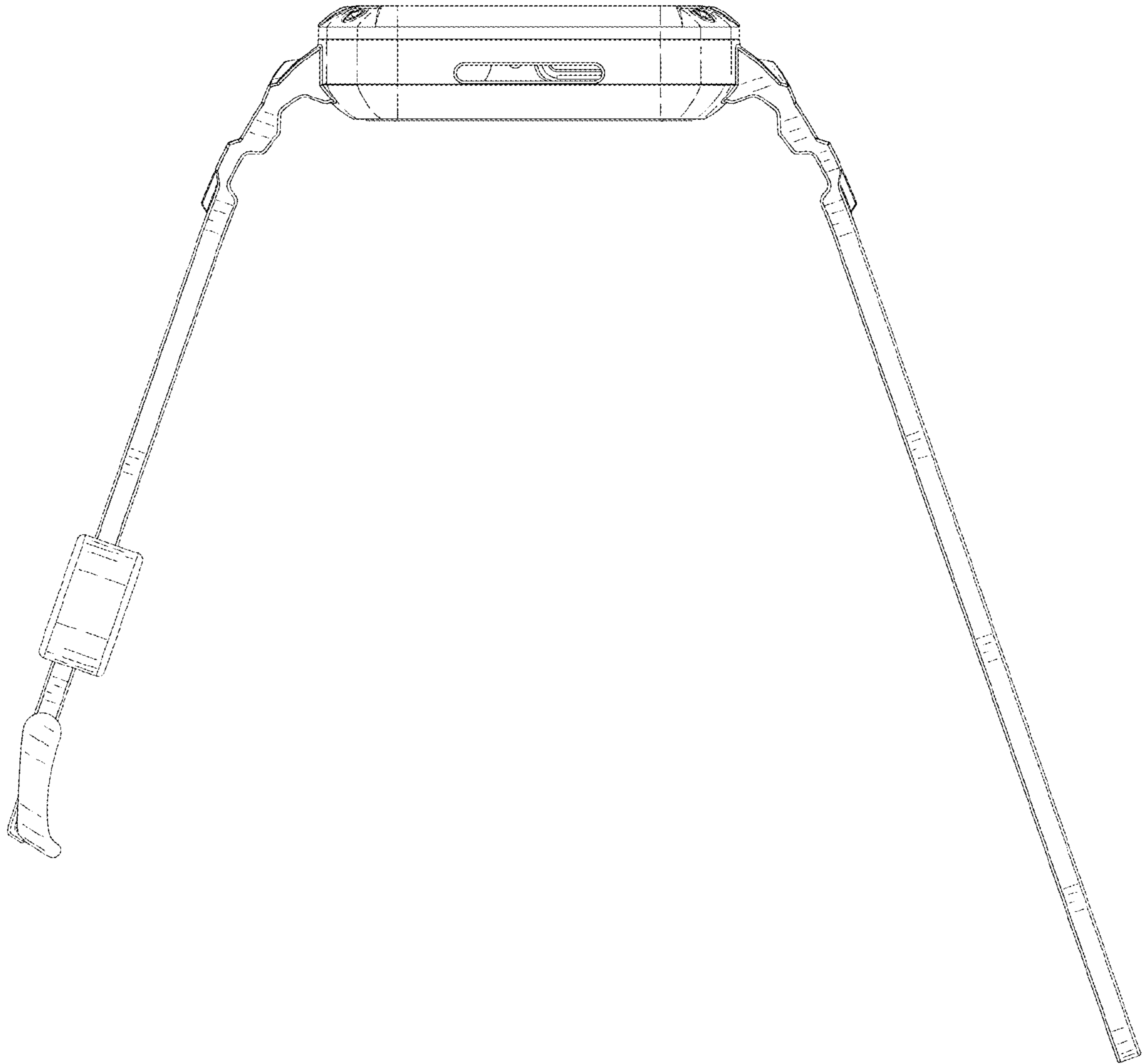


FIG. 5

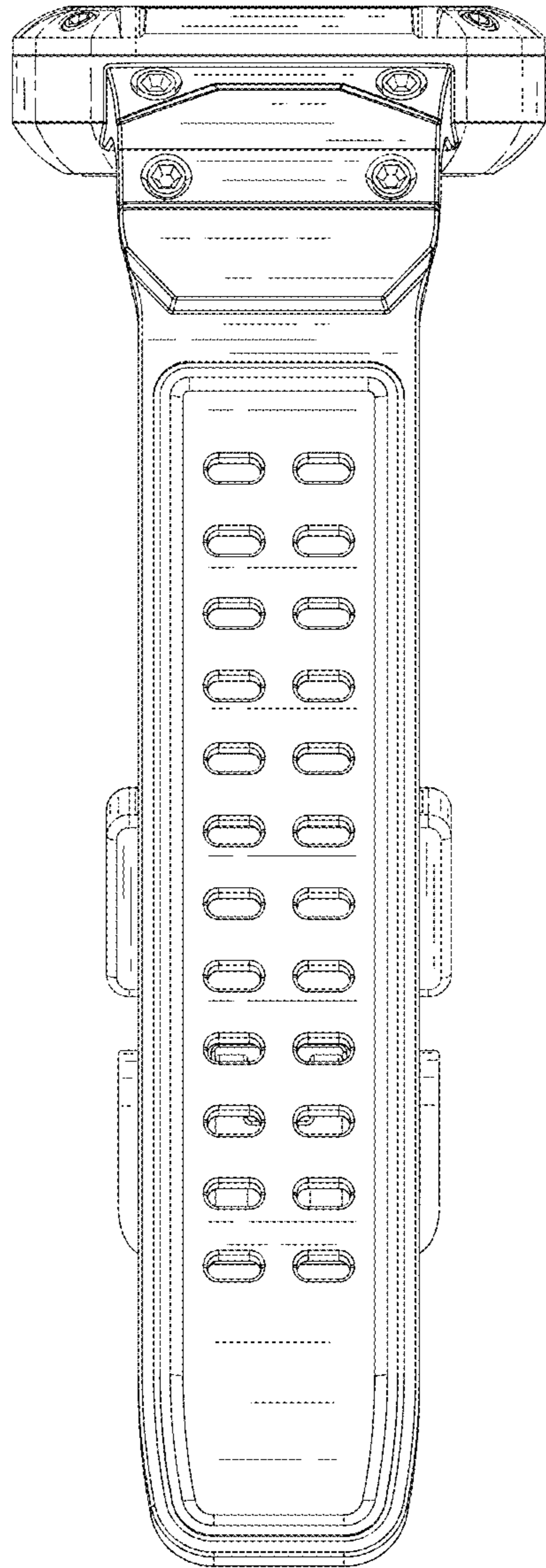


FIG. 6

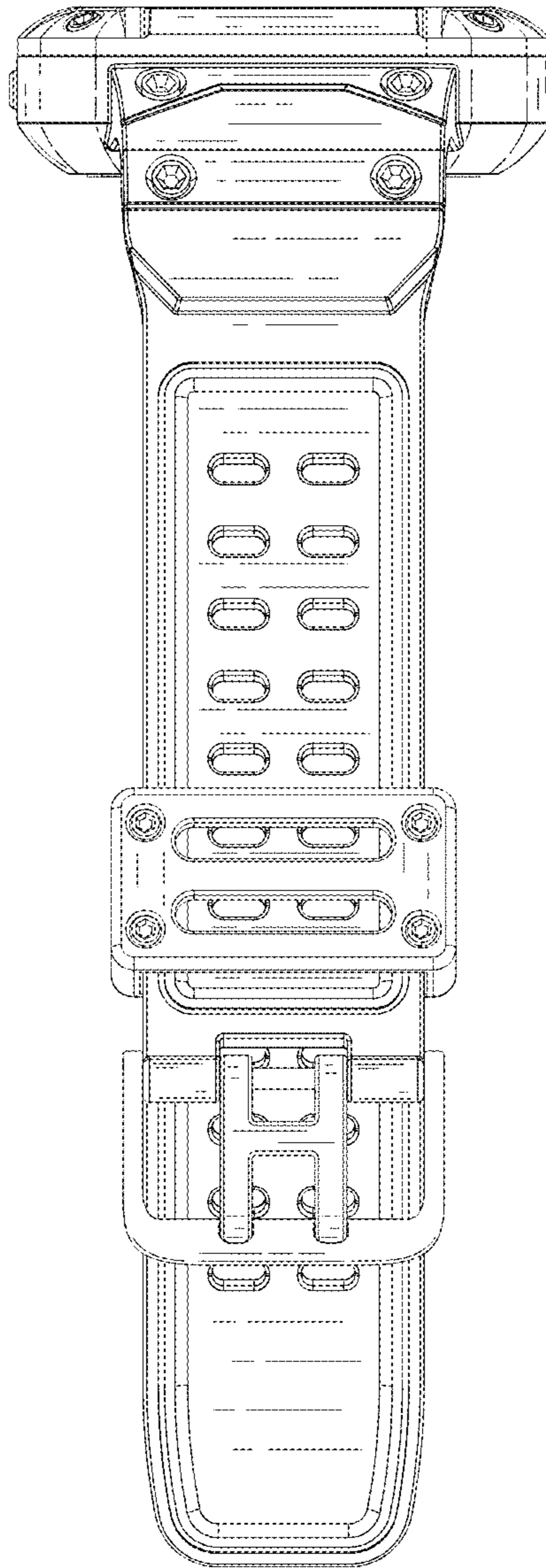


FIG. 7

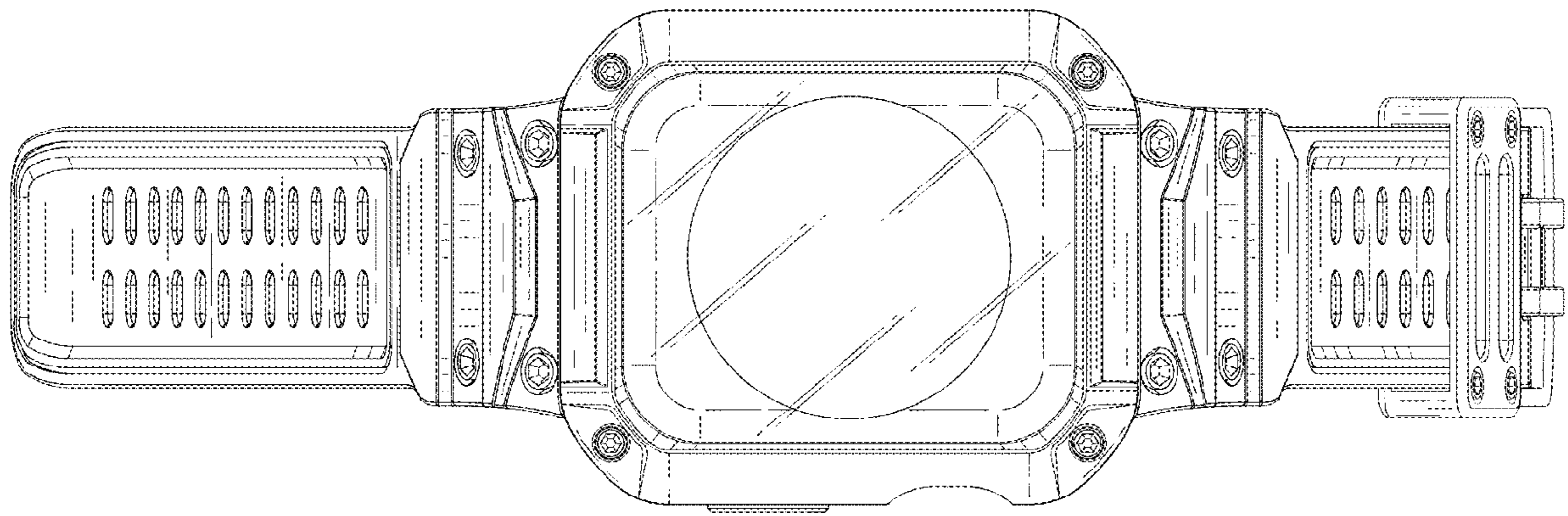


FIG. 8

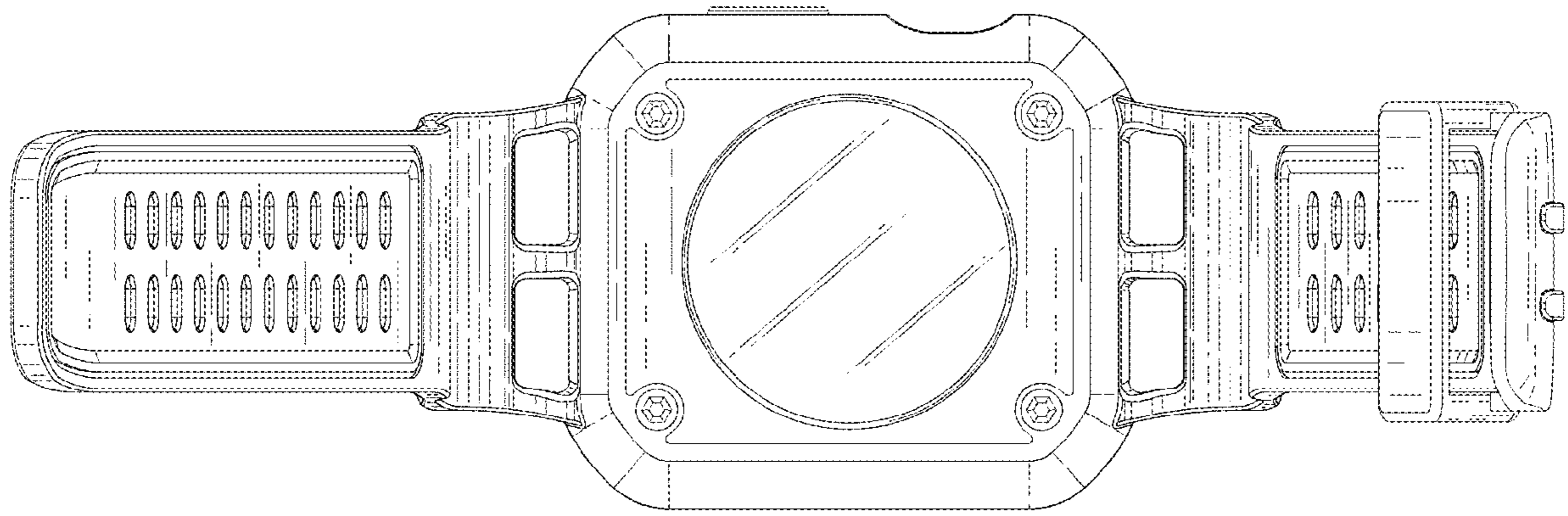


FIG. 9