



US00D971028S

(12) **United States Design Patent** (10) **Patent No.:** **US D971,028 S**
Lee (45) **Date of Patent:** **** Nov. 29, 2022**

(54) **PROTECTIVE SMART WATCH COVER**

(71) Applicant: **ELAGO CO. LTD**, Goyang-si (KR)

(72) Inventor: **Chanwoo Lee**, Goyang-si (KR)

(73) Assignee: **elago CO. LTD**, Goyang-si (KR)

(**) Term: **15 Years**

(21) Appl. No.: **29/818,382**

(22) Filed: **Dec. 8, 2021**

(51) **LOC (13) Cl.** **10-02**

(52) **U.S. Cl.**
USPC **D10/30**

(58) **Field of Classification Search**
USPC D14/138 R, 344; D10/30-32, 38, 70;
D11/3; D24/167
CPC G04G 17/00; G04G 17/06; G04G 17/08;
G04G 17/083; G04G 17/045; G04G
21/00; G04G 21/02; G04G 21/025; G04G
21/06; G04G 21/08; G04G 99/006; G06F
1/163; A44C 5/00; A44C 5/0007; A44C
5/0015; A44C 5/0045; A44C 5/0053;
A44C 5/2052; A44C 5/2071
See application file for complete search history.

(56) **References Cited**

U.S. PATENT DOCUMENTS

- D752,044 S * 3/2016 Akana D14/344
- D766,905 S 9/2016 Lee
- D766,906 S 9/2016 Kim
- D769,879 S * 10/2016 Kim D14/440
- D780,740 S 3/2017 Kim
- D786,879 S 5/2017 Kim
- D795,089 S * 8/2017 Wright D10/32
- D845,810 S 4/2019 Peng

(Continued)

FOREIGN PATENT DOCUMENTS

CN 208013679 U 10/2018
CN 305503352 12/2019

(Continued)

OTHER PUBLICATIONS

Black Apple Watch Case (38mm/40mm), www.casetify.com, 161 Jan. 2019. <https://www.casetify.com/product/apple-watch-protective-case#/1033400> (Year: 2019).*

(Continued)

Primary Examiner — Llorelys Martinez

Assistant Examiner — Kwabena A. Ankobiah

(74) *Attorney, Agent, or Firm* — Paratus Law Group, PLLC

(57) **CLAIM**

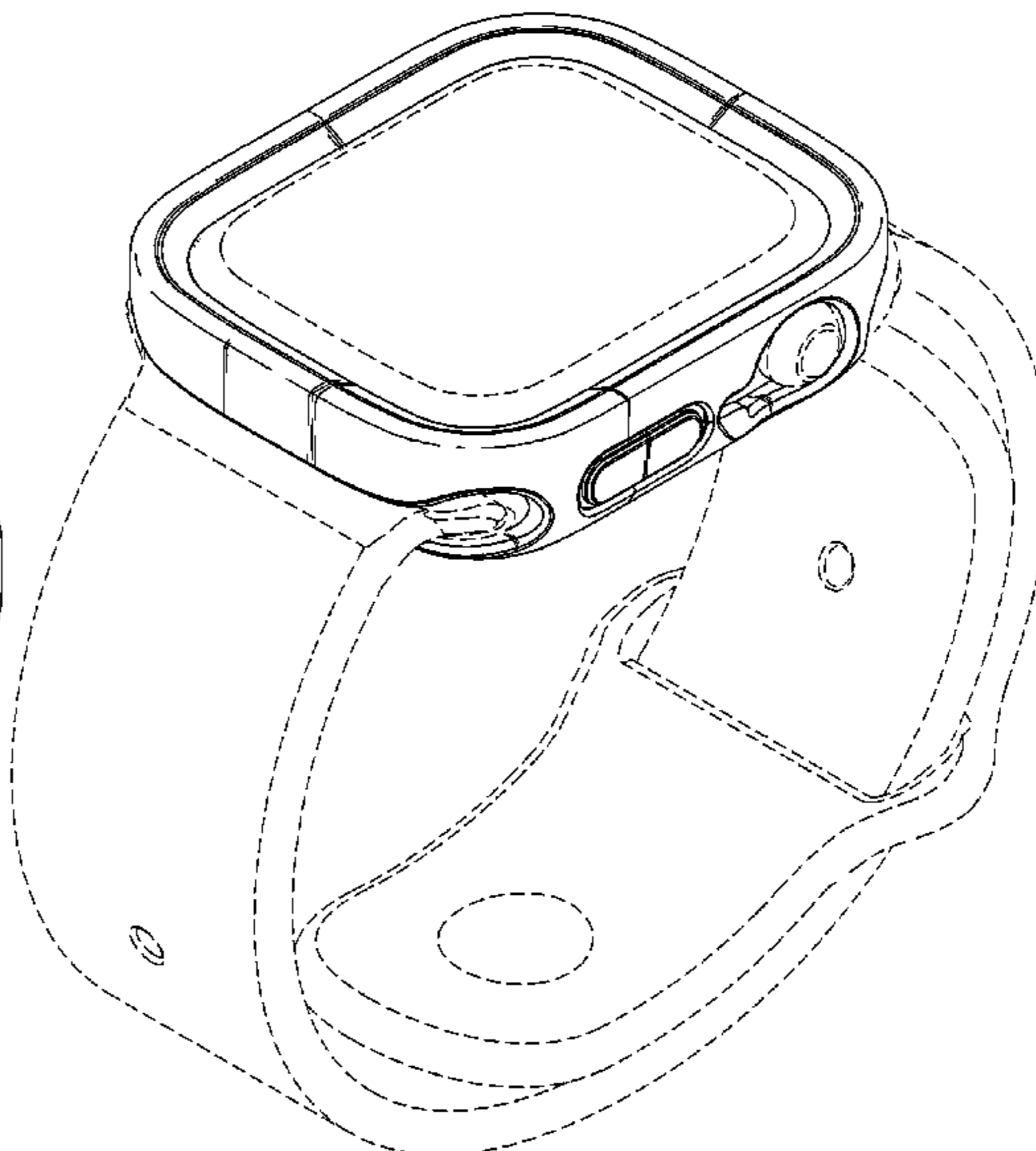
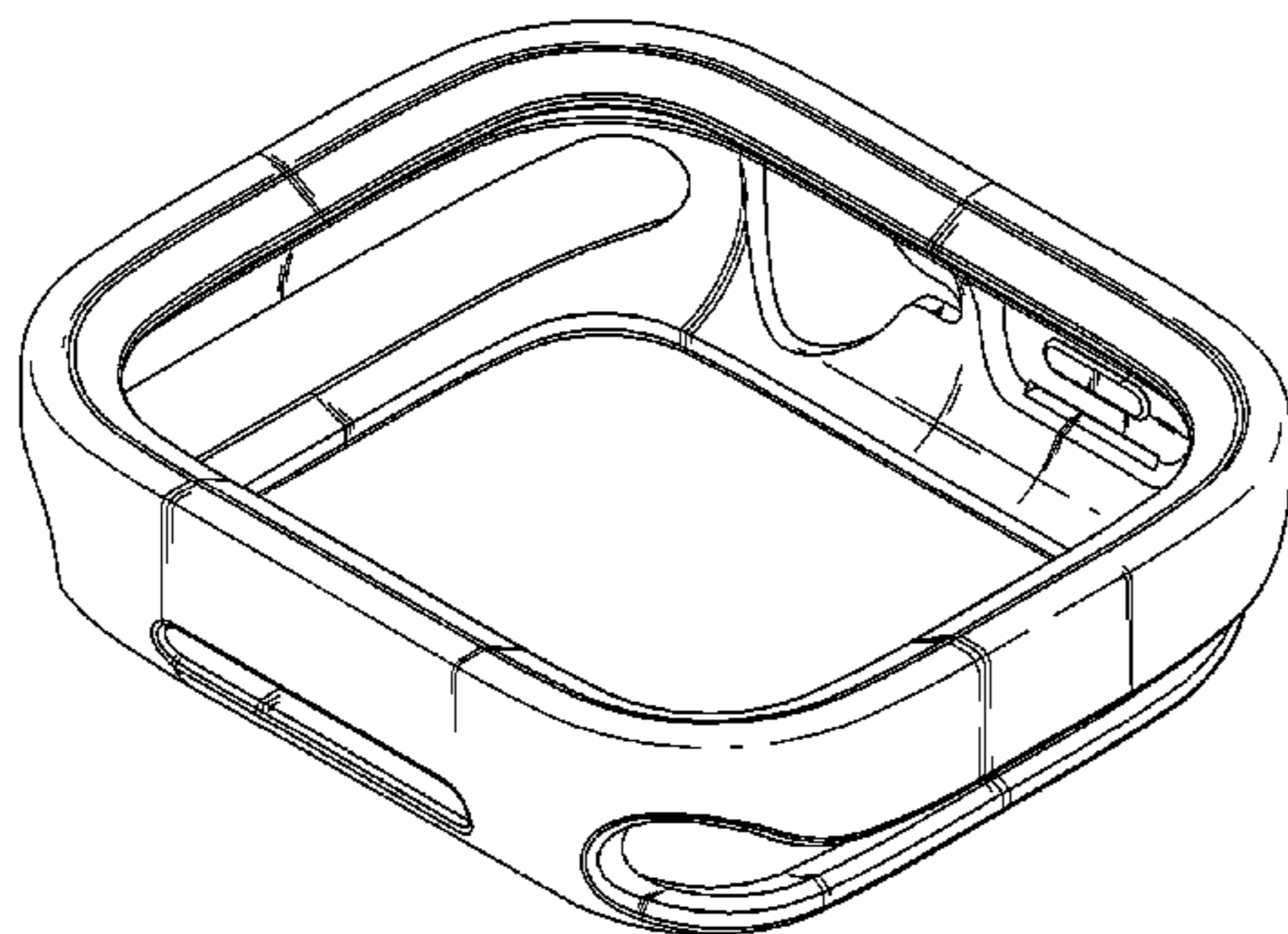
The ornamental design for a protective smart watch cover, as shown and described.

DESCRIPTION

FIG. 1 is a front, top, and right-side perspective view of a protective smart watch cover, showing my new design; FIG. 2 is a front view thereof; FIG. 3 is a back view thereof; FIG. 4 is a left-side view thereof; FIG. 5 is a right-side view thereof; FIG. 6 is a top view thereof; FIG. 7 is a bottom view thereof; FIG. 8 is a front, top, and left-side perspective view thereof; and, FIG. 9 is a front, top, and right-side perspective view thereof, showing the protective smart watch cover in a configuration of use.

The broken lines shown in FIGS. 1, 5, and 7 illustrate portions of the protective smart watch cover that form no part of the claimed design. The broken lines shown in FIG. 9 depict environmental subject matter only and form no part of the claimed design.

1 Claim, 7 Drawing Sheets



(56)

References Cited

U.S. PATENT DOCUMENTS

D850,968 S	6/2019	Zhang	
D874,458 S *	2/2020	Akana	D14/344
D874,968 S	2/2020	Weng	
D888,710 S	6/2020	Yun et al.	
D897,350 S	9/2020	Wang	
D898,745 S	10/2020	Ye	
D902,768 S	11/2020	Lin	
D903,508 S	12/2020	Zhang	
D905,051 S *	12/2020	Akana	D14/344
D913,138 S	3/2021	Maile et al.	
D913,139 S	3/2021	Ren	
D920,147 S	5/2021	Liu	
D925,385 S	7/2021	Lin	
D949,038 S *	4/2022	Hu	D10/132
D951,124 S *	5/2022	Deng	D10/32
D952,496 S *	5/2022	Yu	H05K 5/03
			D10/30
D955,910 S *	6/2022	Deng	D10/32
D960,893 S *	8/2022	Zhou	D14/440
2017/0248922 A1	8/2017	Hynecek	
2019/0045642 A1 *	2/2019	Prest	H05K 5/03

2020/0363773 A1	11/2020	Wang et al.	
2021/0364992 A1	11/2021	Yang et al.	
2022/0163925 A1 *	5/2022	You	G04B 37/005
2022/0291639 A1 *	9/2022	Zhuang	G04G 17/08

FOREIGN PATENT DOCUMENTS

CN	113534645 A	10/2021
CN	306891562	10/2021
CN	306933385	11/2021
CN	306933386	11/2021
CN	306949046	11/2021
TW	I685310 B	2/2020
WO	WO 2020/224162 A1	11/2020

OTHER PUBLICATIONS

Elago Duo Case Compatible with Apple Watch 7/SE/6/5/4, www.amazon.com, Feb. 23, 2022. <https://www.amazon.com/elago-Compatible-Protection-Material-Included/dp/B09QKT2XV3?th=1> (Year: 2022).*

* cited by examiner

FIG. 1

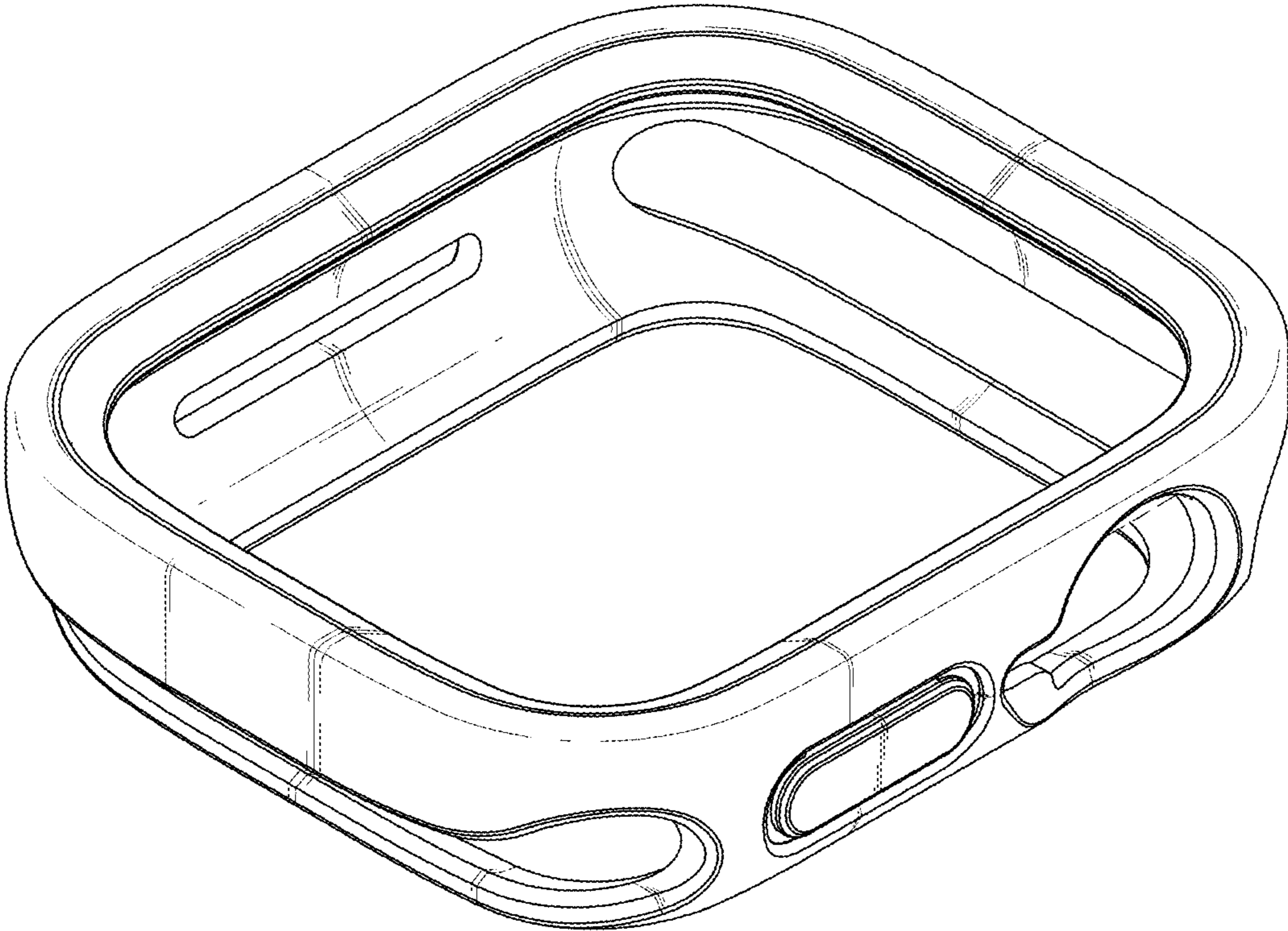


FIG. 2

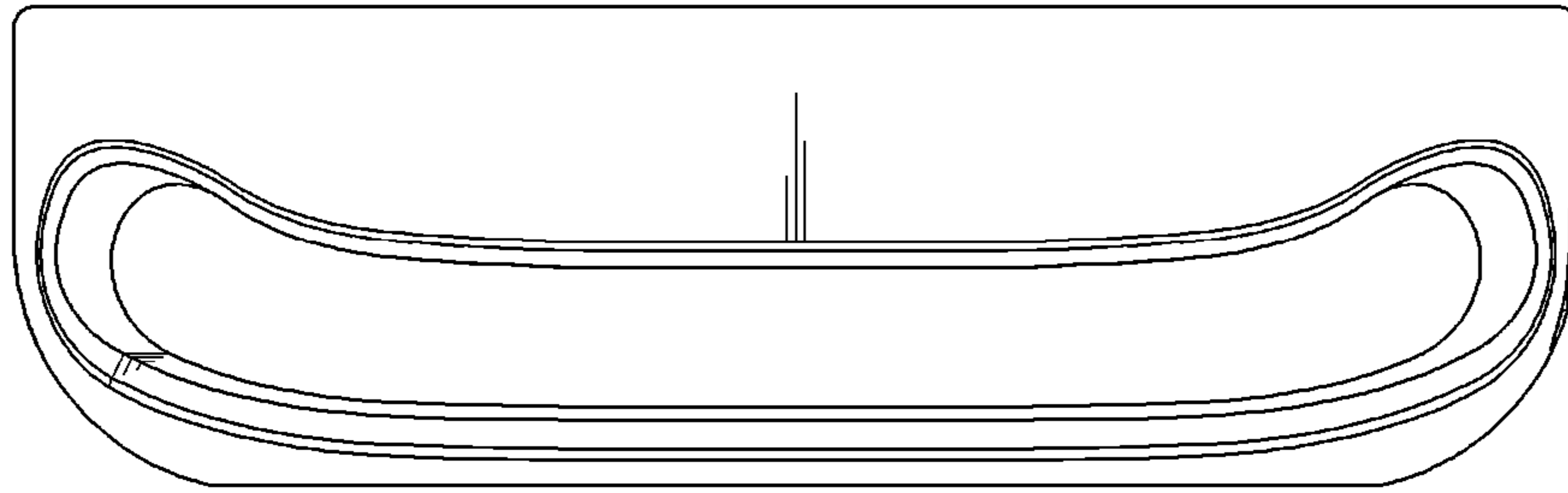


FIG. 3

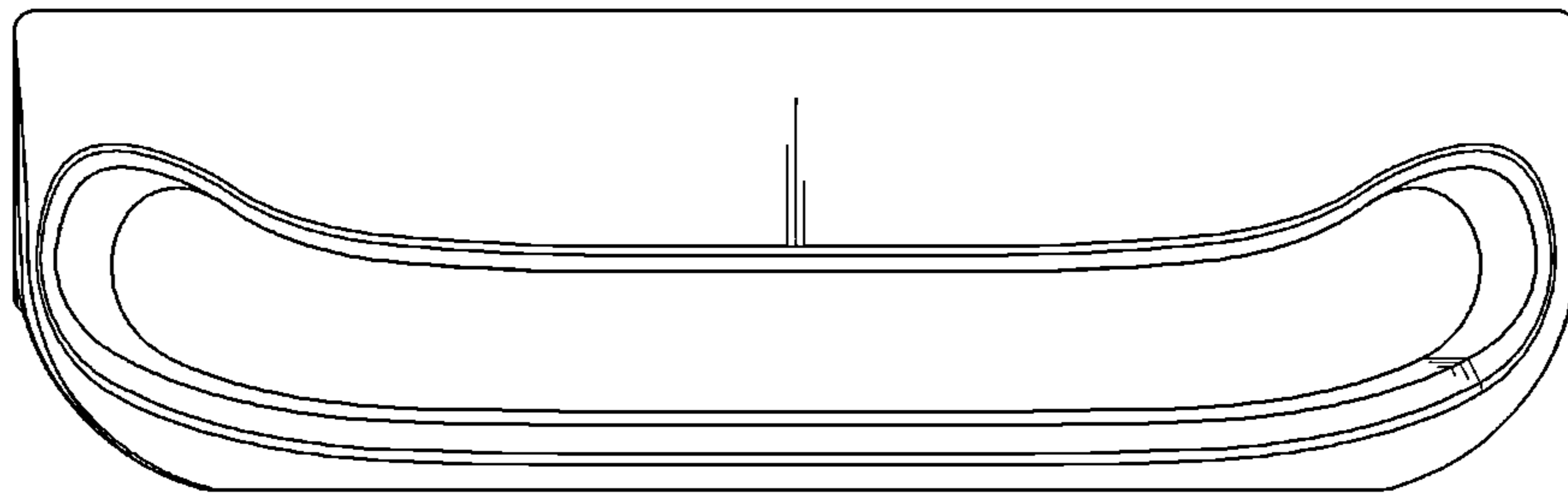


FIG. 4

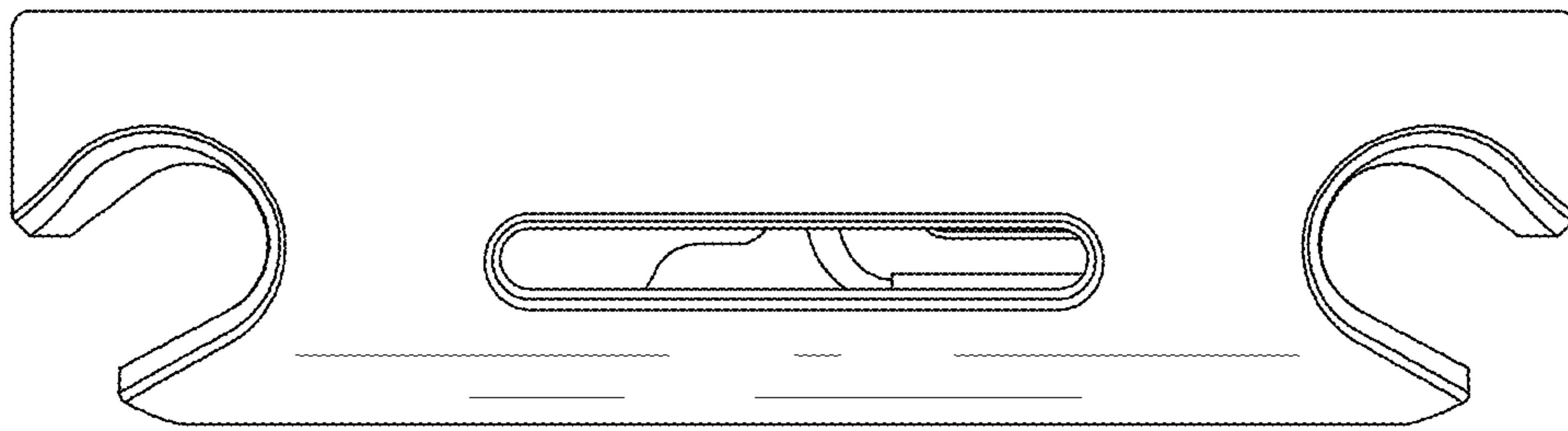


FIG. 5

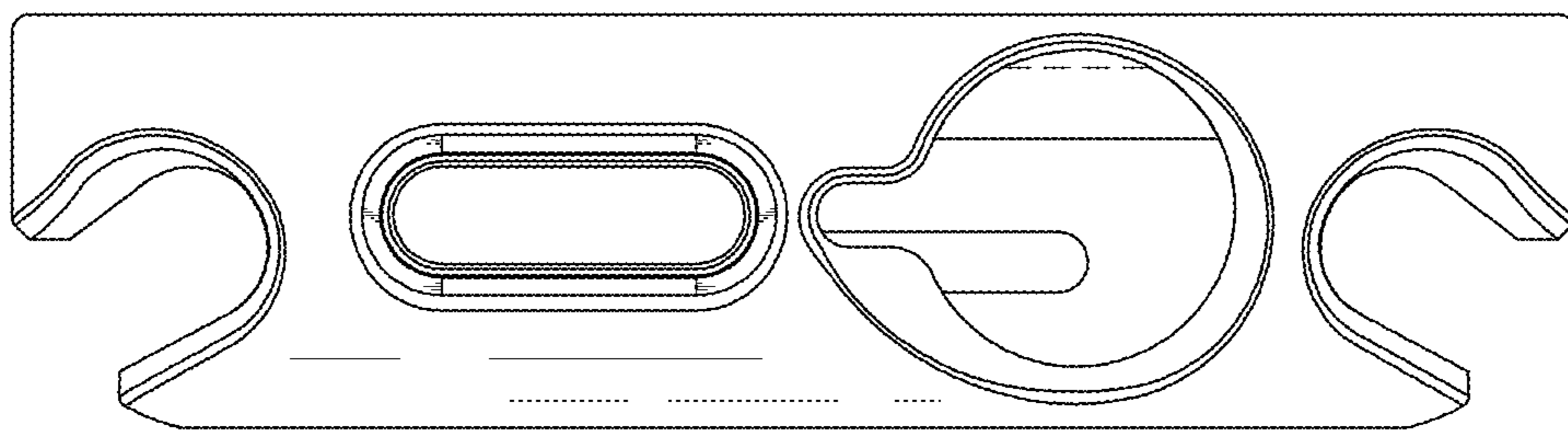


FIG. 6

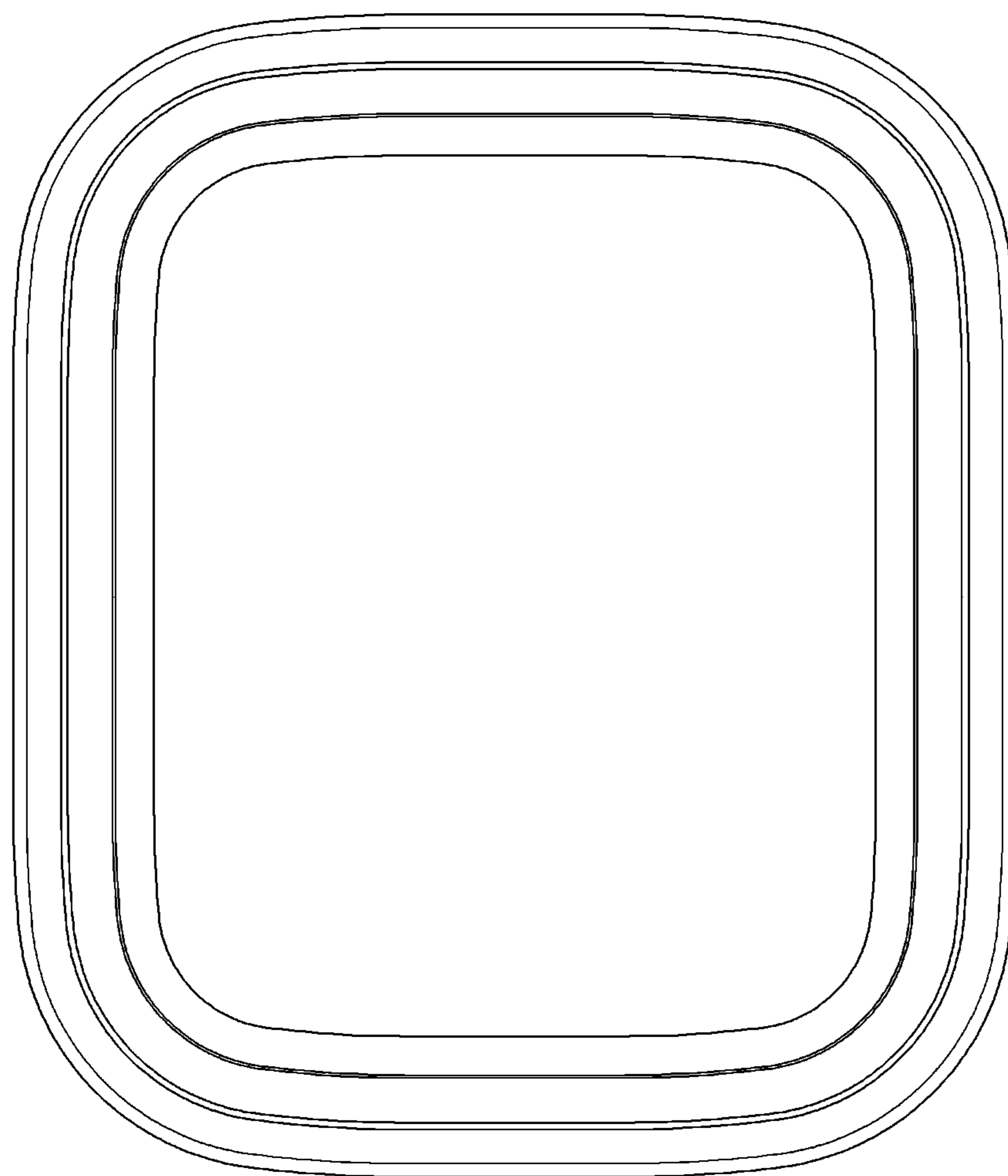


FIG. 7

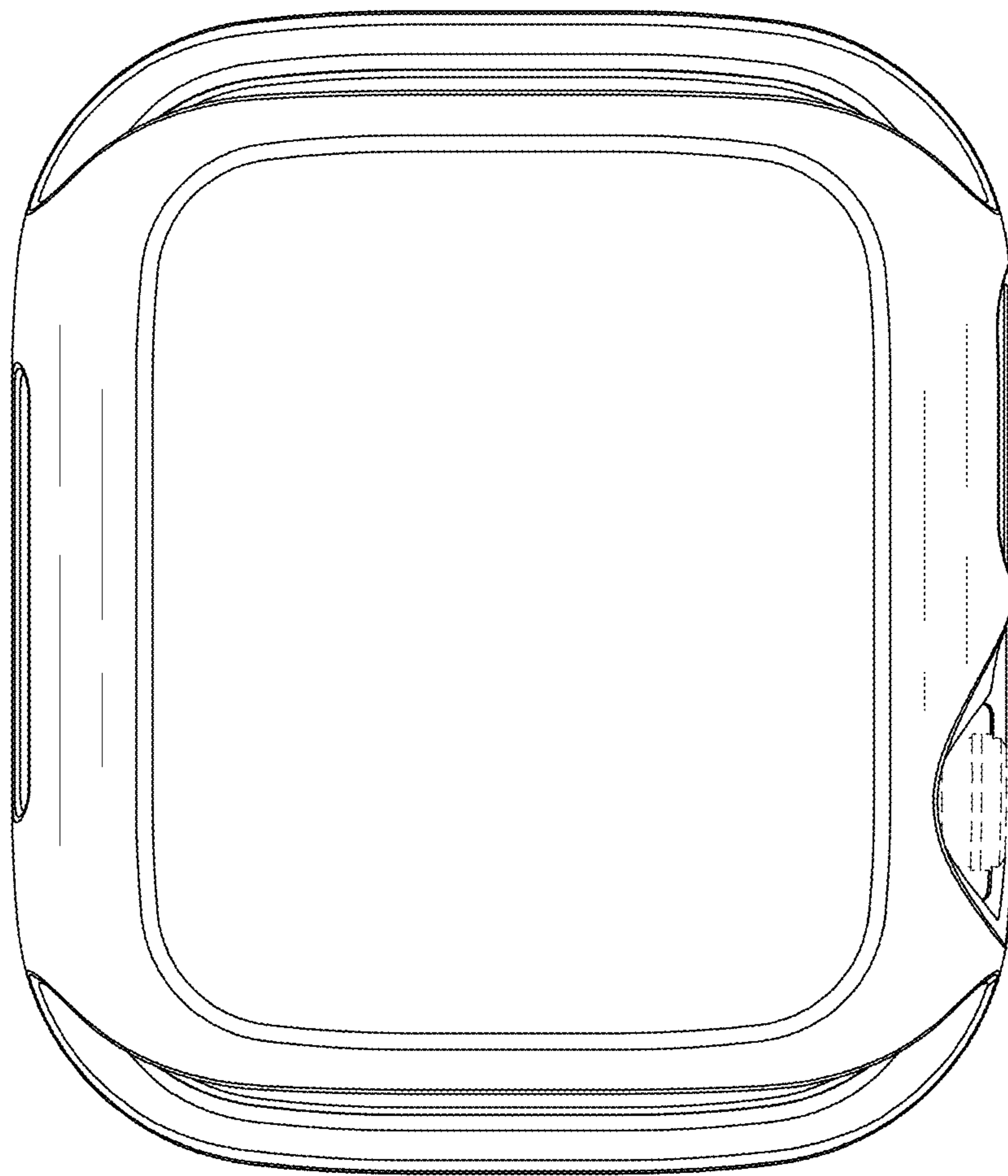


FIG. 8

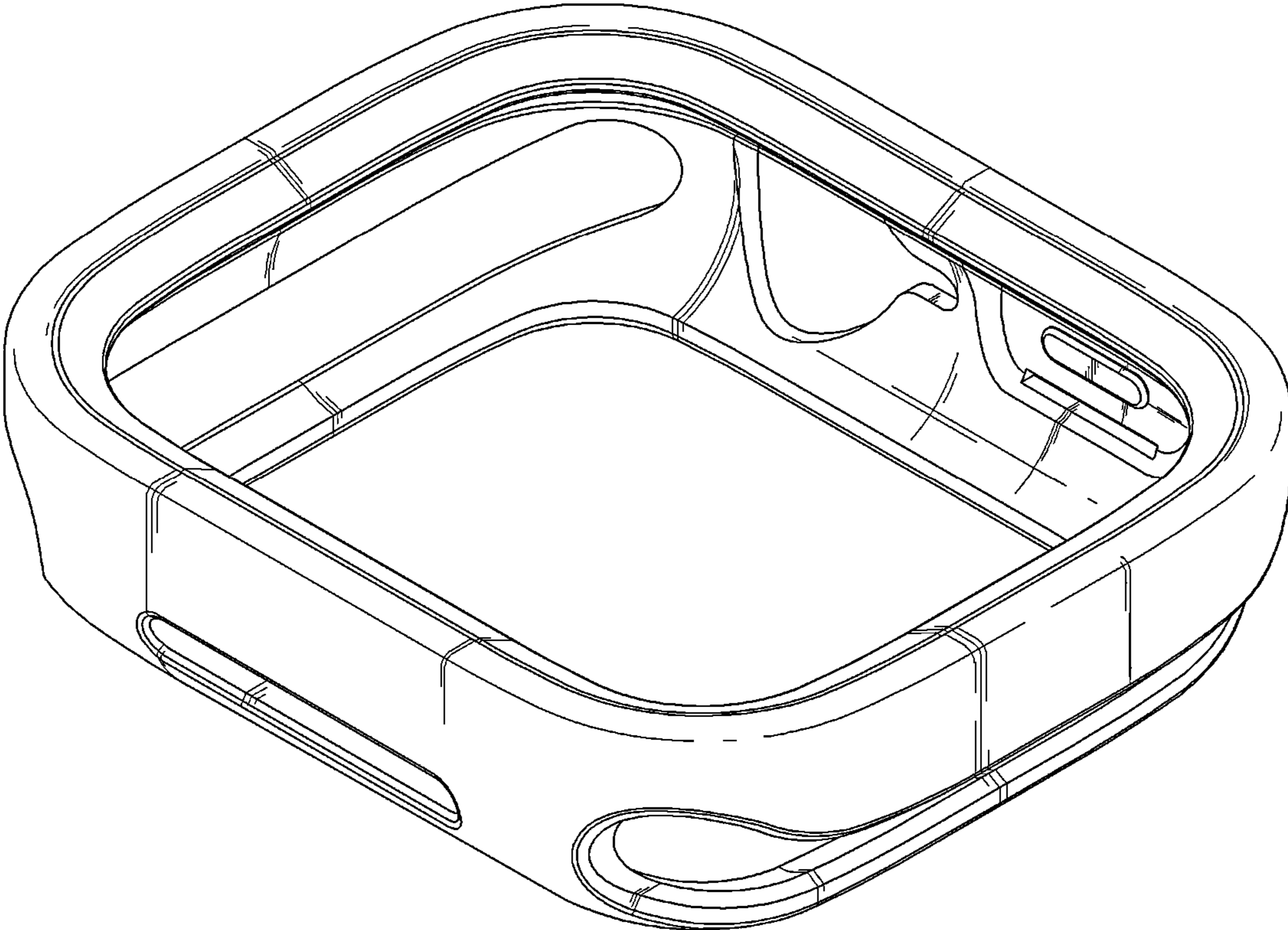


FIG. 9

