



US00D971027S

(12) **United States Design Patent** (10) **Patent No.:** **US D971,027 S**
Berg (45) **Date of Patent:** **** Nov. 29, 2022**

(54) **CONTAINER**

D605,040 S * 12/2009 Fry D9/500
D631,758 S * 2/2011 Alvares D9/772
D796,345 S * 9/2017 Hirsberg D9/503

(71) Applicant: **Montana Whiskey Company LLC**,
Missoula, MT (US)

(72) Inventor: **Todd Berg**, Missoula, MT (US)

(73) Assignee: **Montana Whiskey Company LLC**,
Missoula, MT (US)

(**) Term: **15 Years**

(21) Appl. No.: **29/741,659**

(22) Filed: **Jul. 15, 2020**

(51) **LOC (13) Cl.** **09-01**

(52) **U.S. Cl.**
USPC **D9/772**

(58) **Field of Classification Search**
USPC D9/500, 763-783, 503, 504
CPC B21D 51/26; B21D 51/383; B29C 66/71;
B65D 1/00; B65D 1/02; B65D 1/12;
B65D 1/14; B65D 1/40; B65D 1/44;
B65D 1/023; B65D 1/0223; B65D 1/165;
B65D 1/238; B65D 1/246; B65D 1/253;
B65D 7/04; B65D 21/0209; B65D
21/0233; B65D 25/00; B65D 25/28;
B65D 41/0457; B65D 41/17; B65D
53/06; B65D 75/56; B65D 79/005; B65D
2501/0036; B65D 2543/00064; B65D
2543/00074; B65D 2543/00083; B65D
2543/00092; B65D 2543/00101; B65D
2543/00111; Y10T 29/49826

See application file for complete search history.

(56) **References Cited**

U.S. PATENT DOCUMENTS

D436,538 S * 1/2001 Lang D9/764
D441,657 S * 5/2001 Brown, III D9/764
D442,865 S * 5/2001 Lang D9/503

OTHER PUBLICATIONS

Facebook.com; Vine and Vat; “Blackfoot River Bourbon’s 304 stainless steel bottle . . . ”; [online] ‘https://www.facebook.com/VineandVat/photos/pcb.440485641237118/440482754570740/?type=3&theater’; dated May 31, 2022; accessed Aug. 21, 2022; 1 pg. (Year: 2022).*

* cited by examiner

Primary Examiner — Keli L Hill

(74) *Attorney, Agent, or Firm* — Berkeley Law & Technology Group, LLP

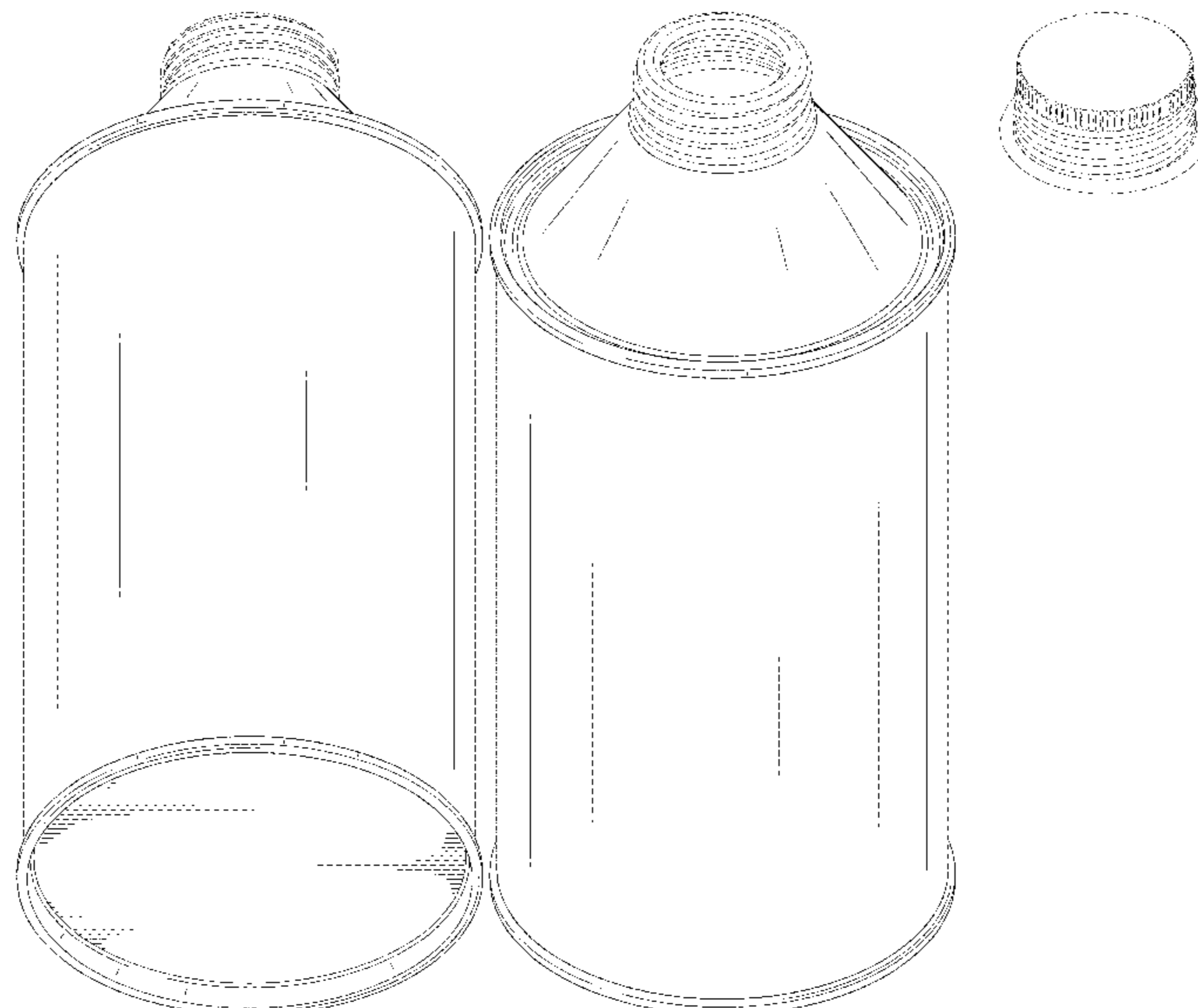
(57) **CLAIM**

The ornamental design for a container, as shown and described.

DESCRIPTION

FIG. 1 is a front perspective view of the container;
FIG. 2 is a front elevation view of the container;
FIG. 3 is a rear elevation view of the container;
FIG. 4 is a right side view of the container;
FIG. 5 is a left side view of the container;
FIG. 6 is a top view of the container;
FIG. 7 is a bottom view of the container;
FIG. 8 is a bottom perspective view of the container;
FIG. 9 is a front perspective view of the container;
FIG. 10 is a front elevation view of FIG. 9;
FIG. 11 is a rear elevation view of FIG. 9;
FIG. 12 is a right side view of FIG. 9;
FIG. 13 is a left side view of FIG. 9;
FIG. 14 is a top view of FIG. 9;
FIG. 15 is a bottom view of FIG. 9;
FIG. 16 is a bottom perspective view of FIG. 9; and,
FIG. 17 is an exploded view of FIG. 9.
Broken lines form no part of the claimed design.

1 Claim, 15 Drawing Sheets



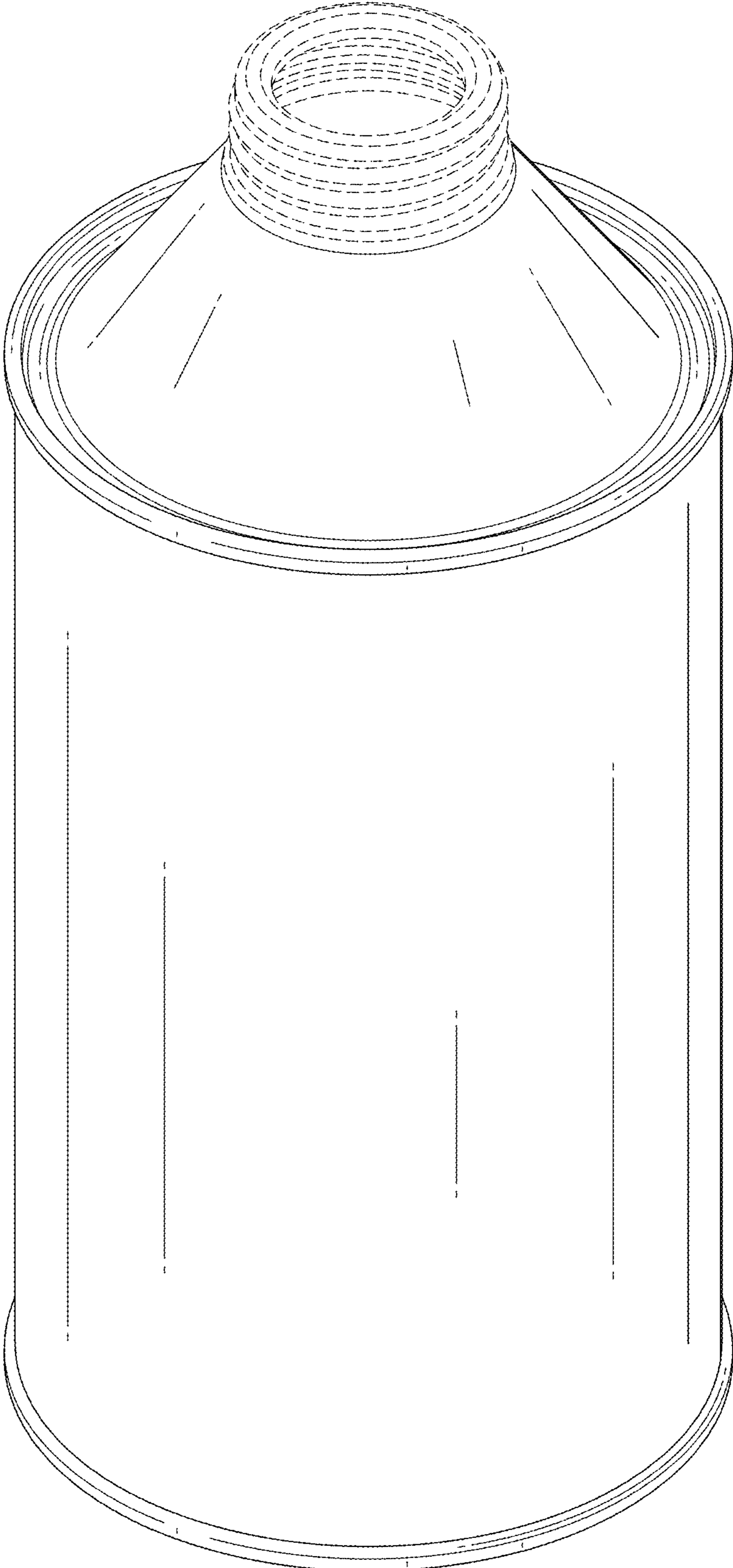


FIG. 1

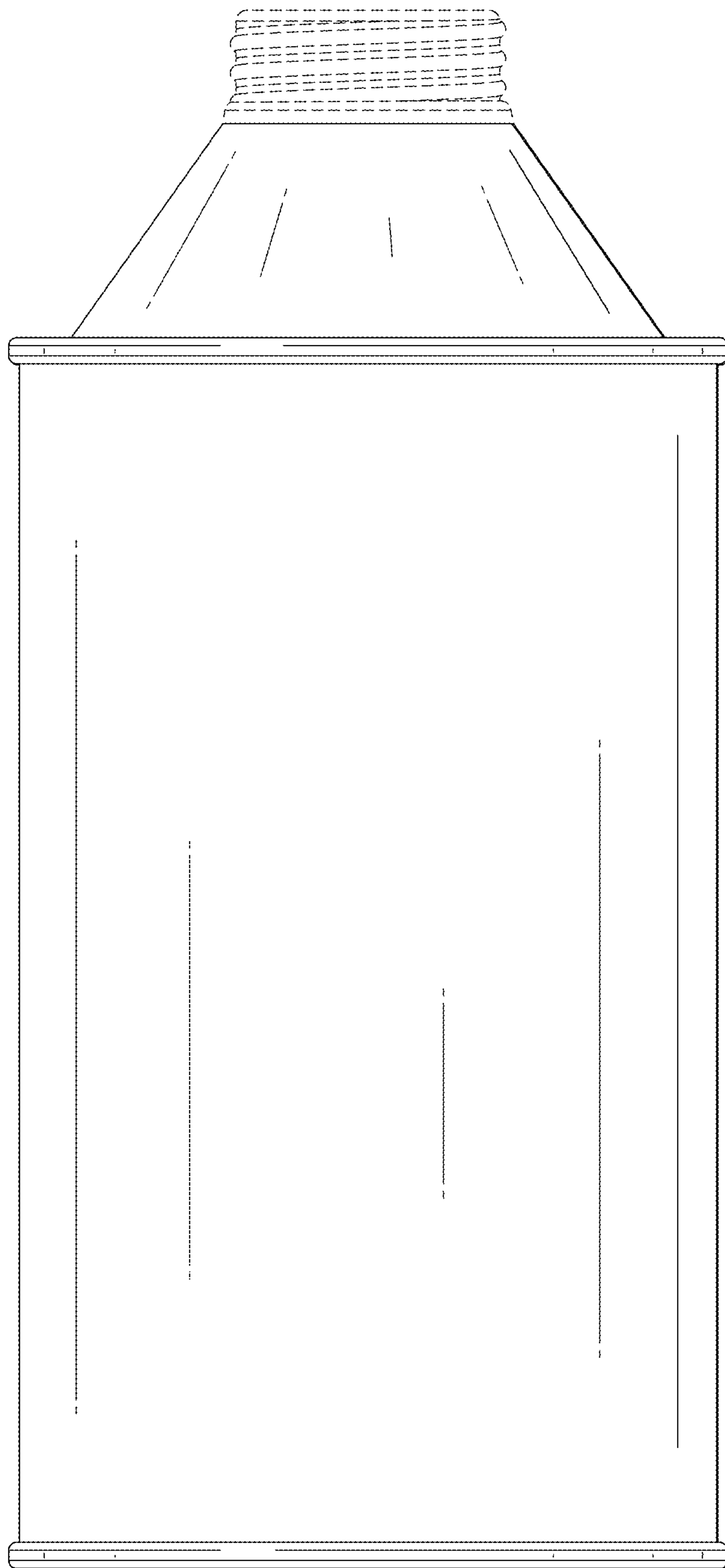


FIG. 2

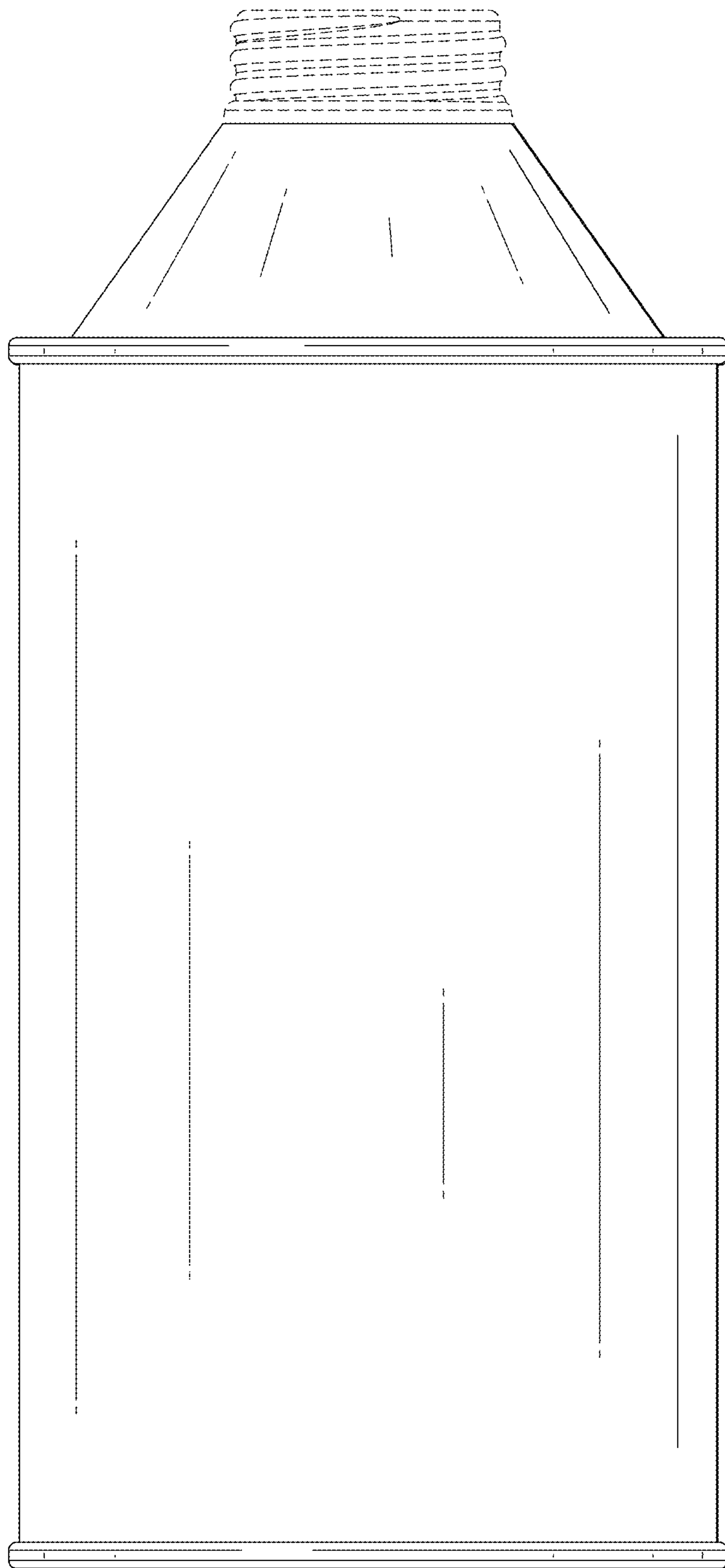


FIG. 3

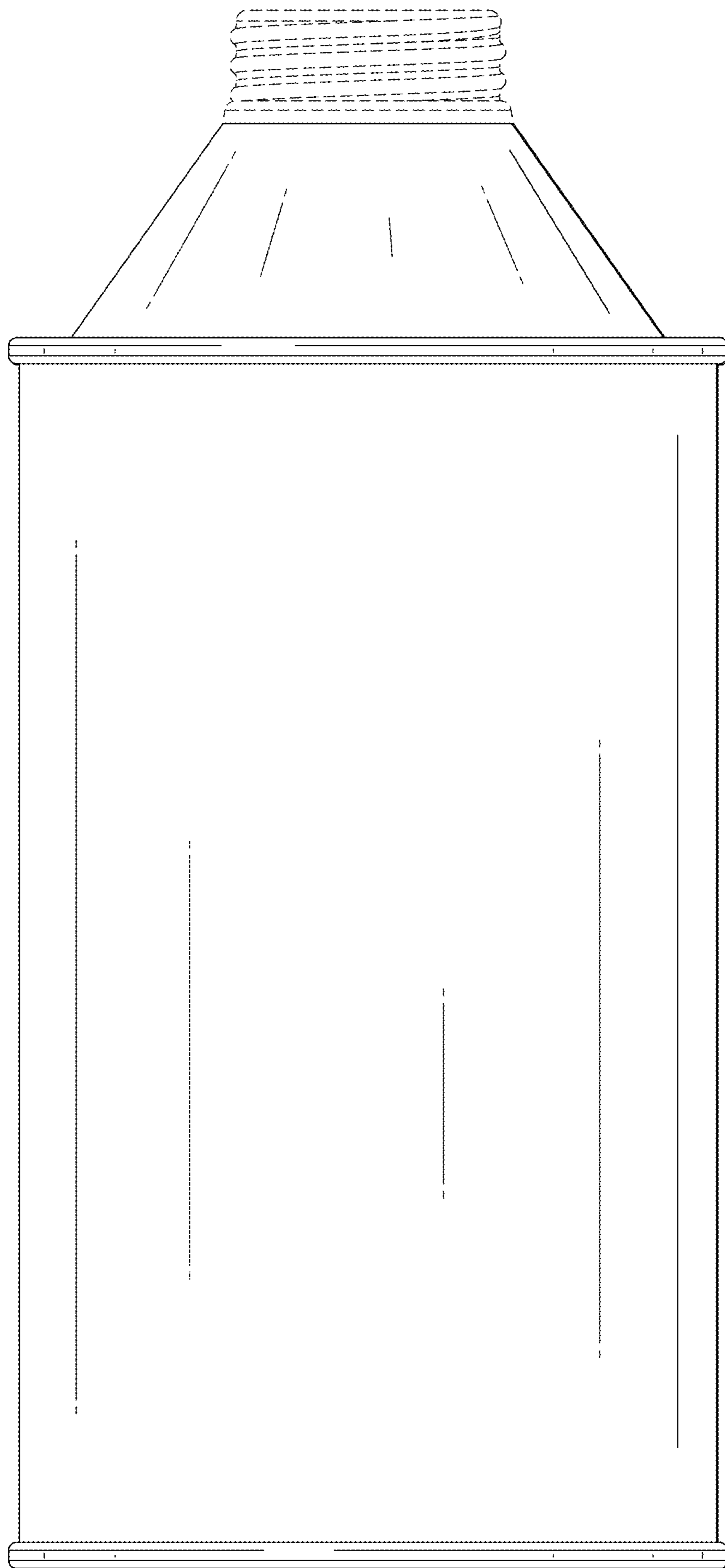


FIG. 4

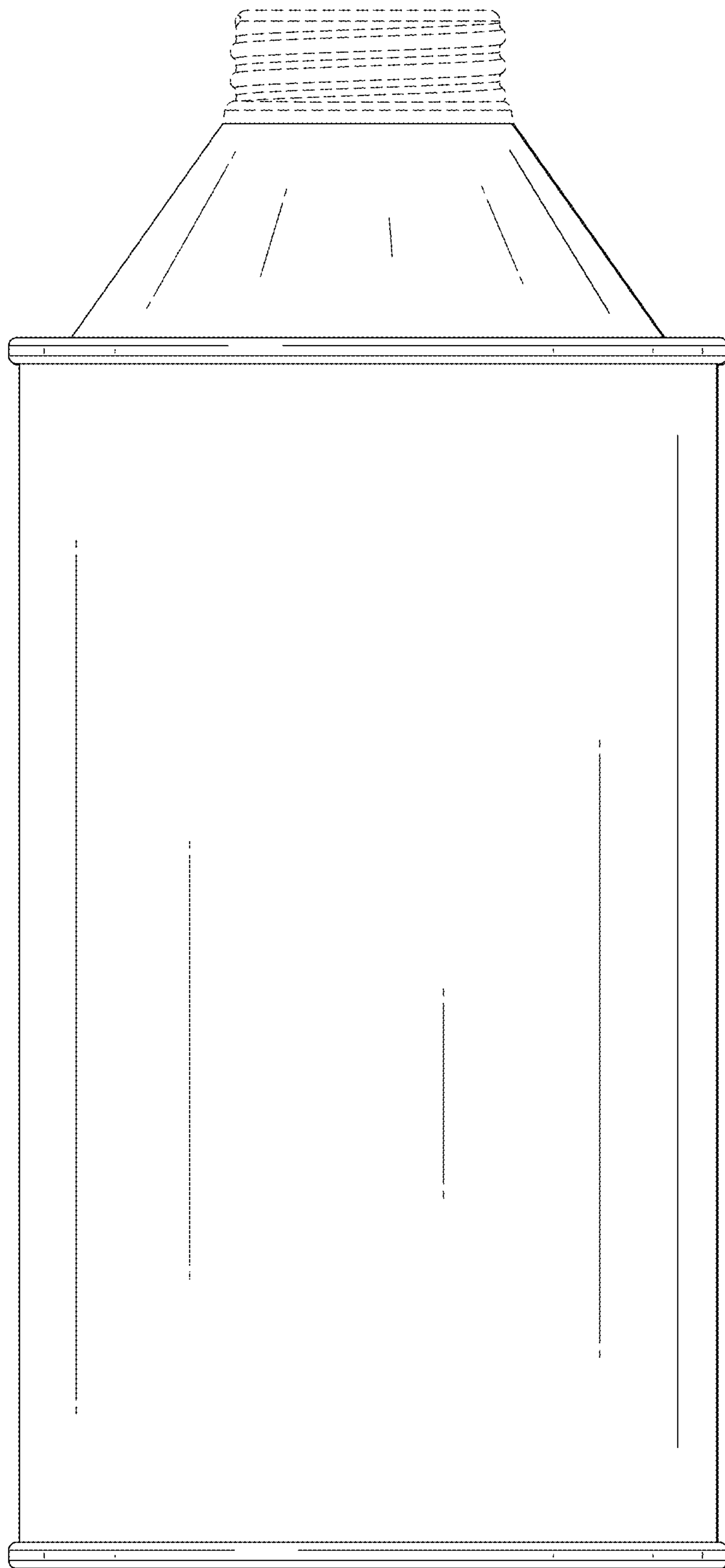


FIG. 5

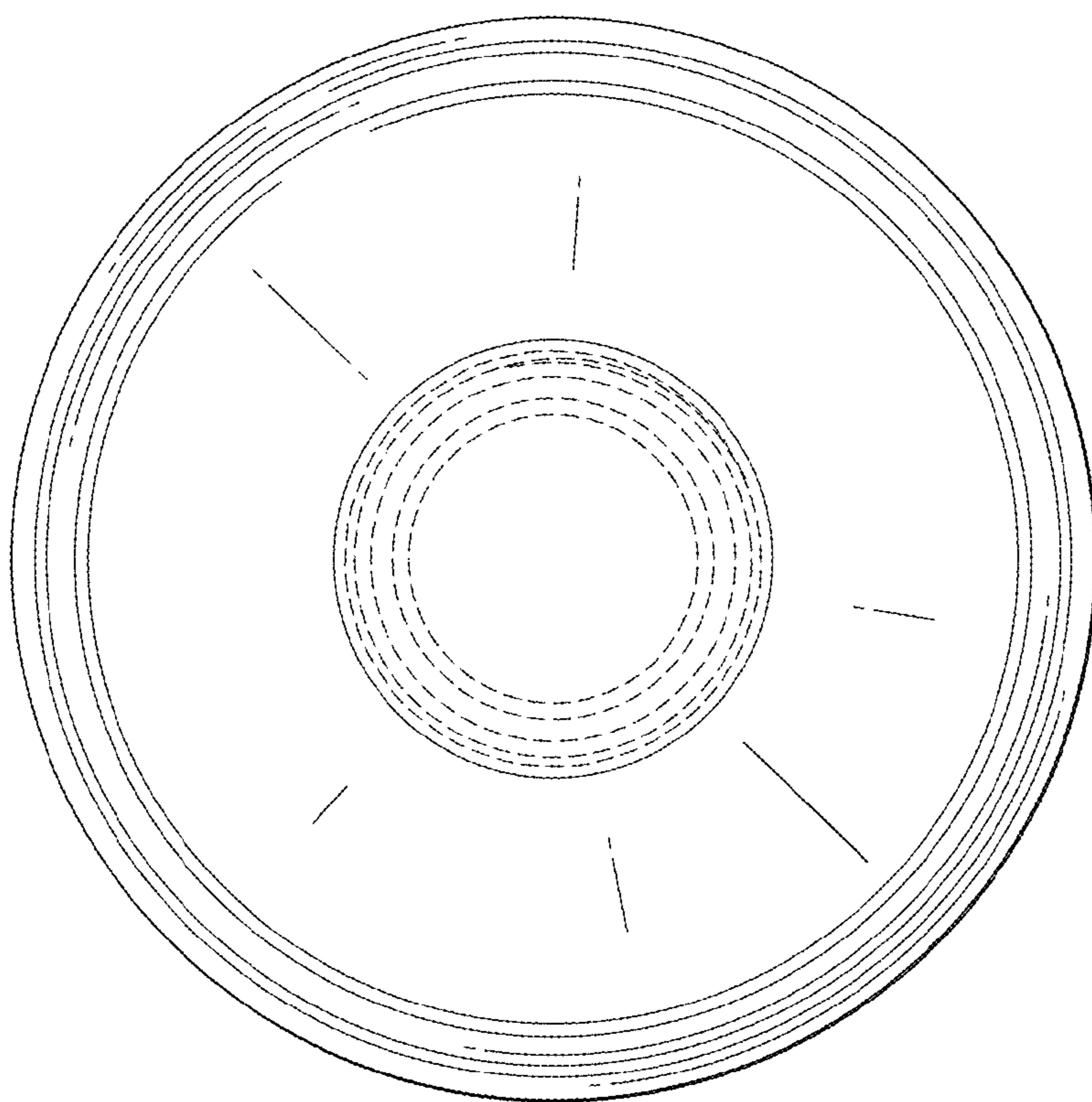


FIG. 6

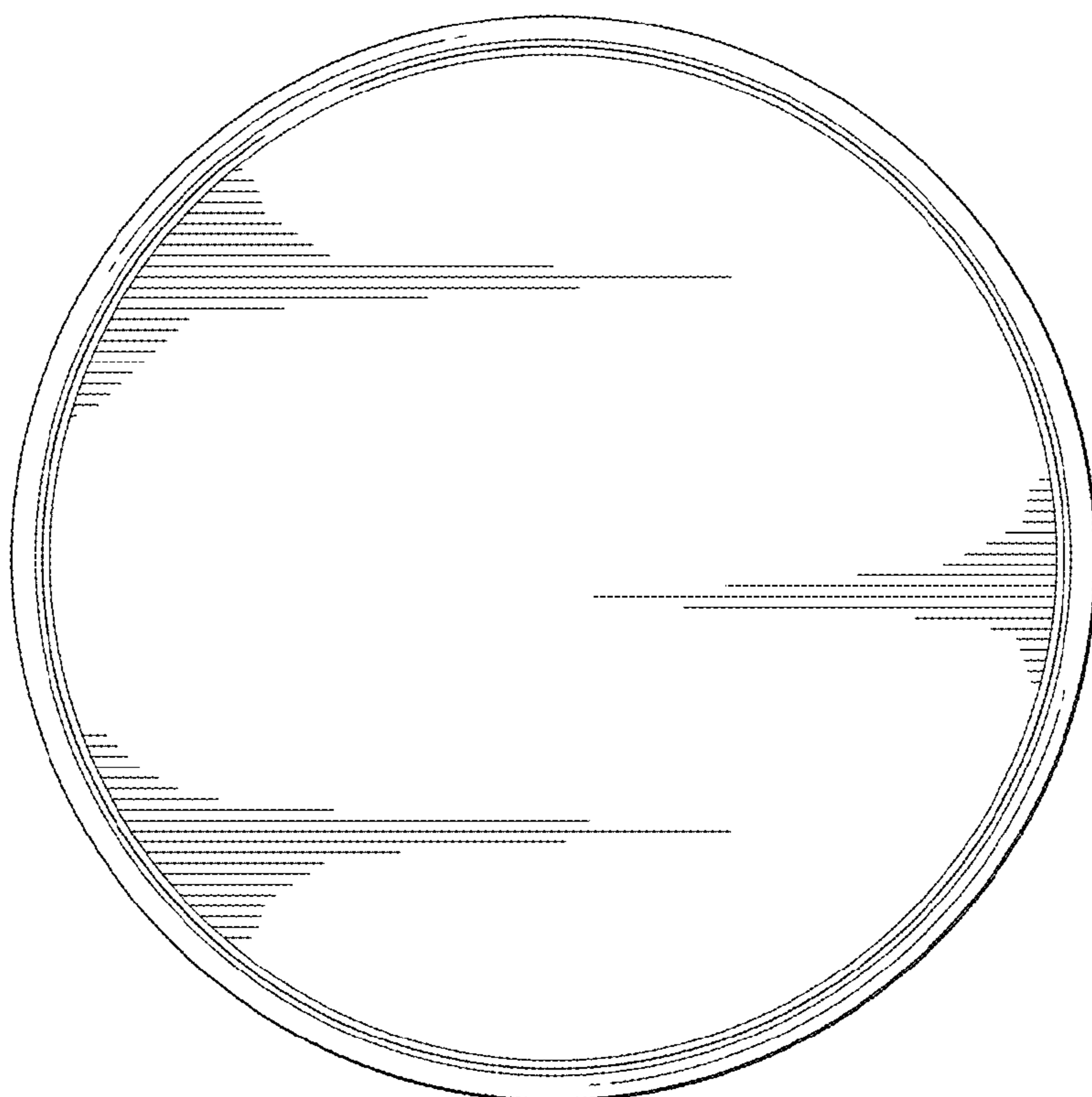


FIG. 7

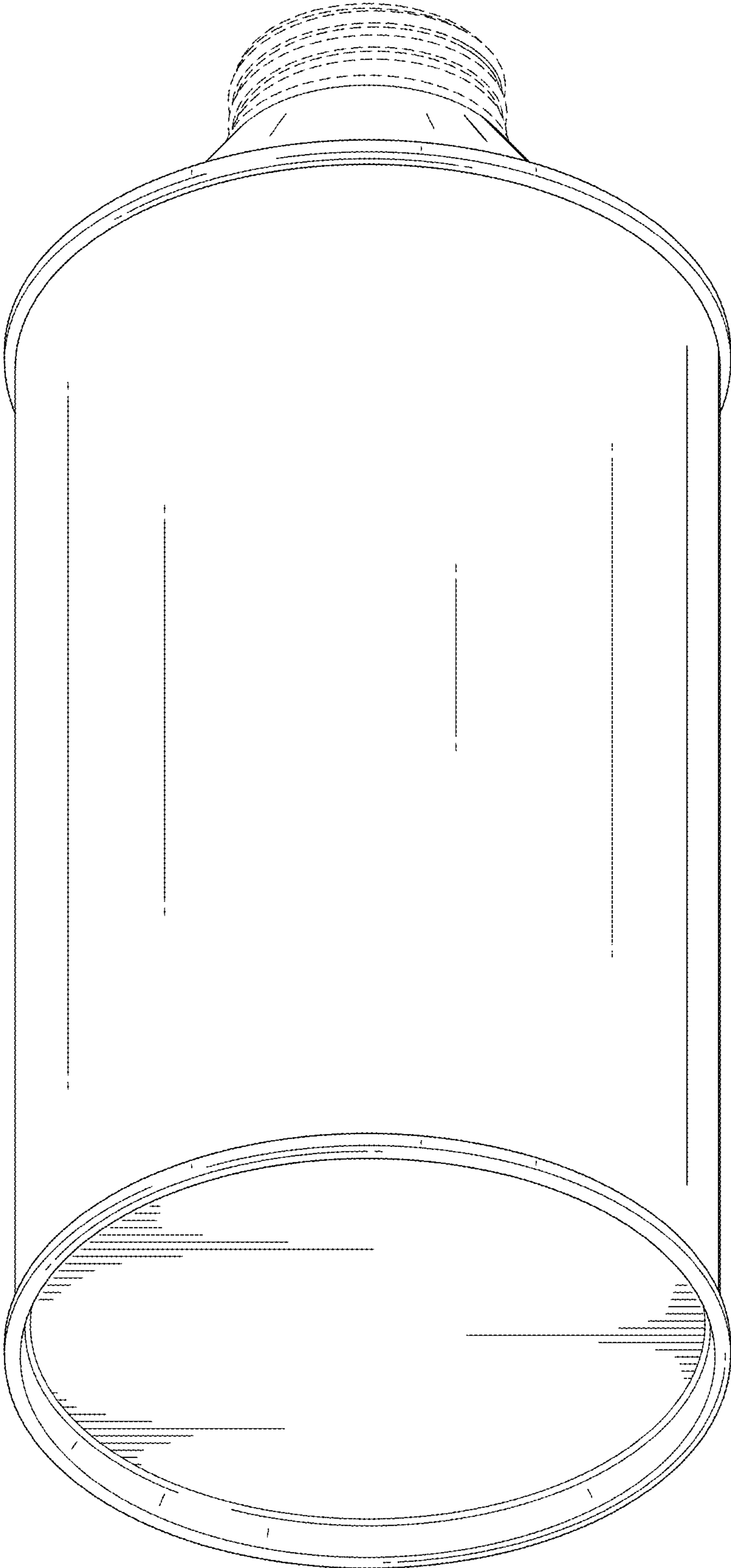


FIG. 8

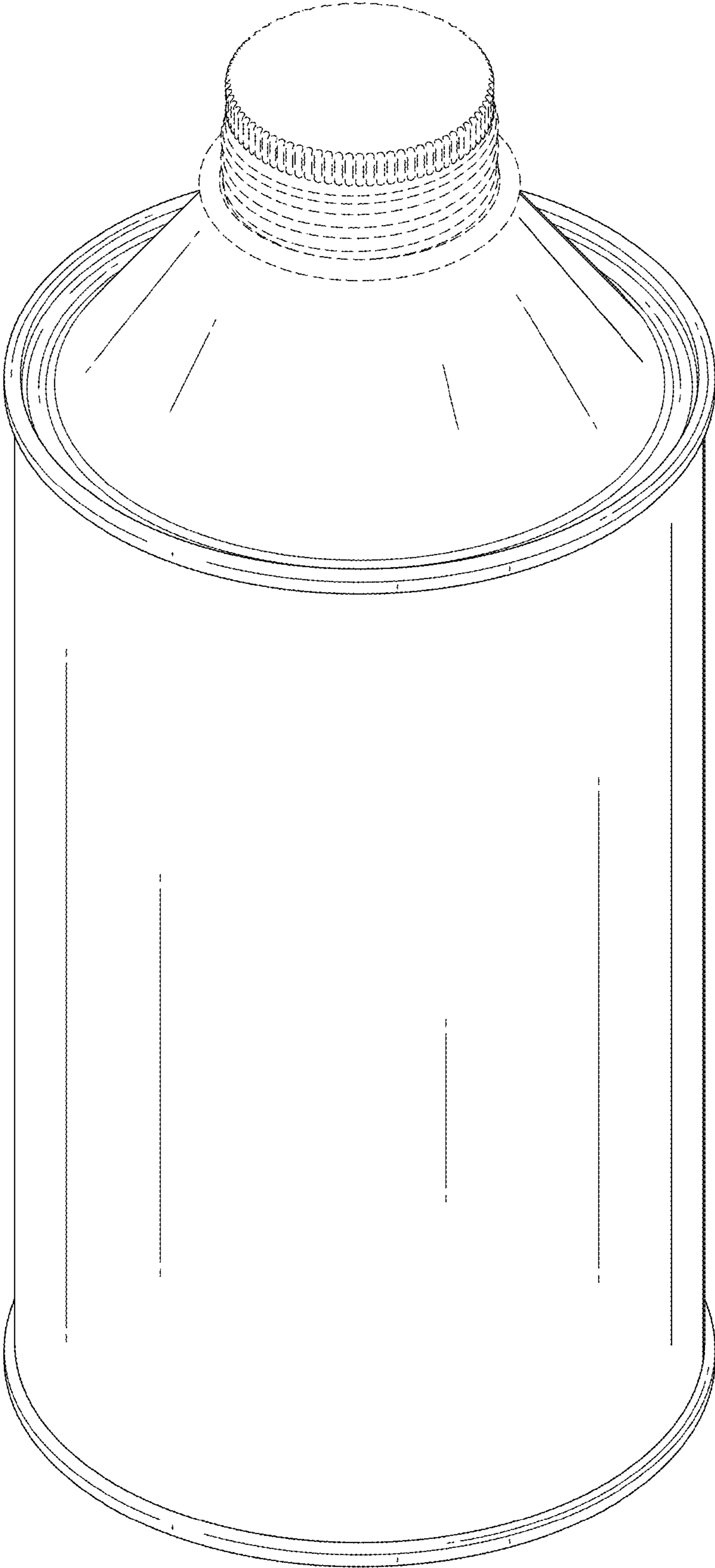


FIG. 9

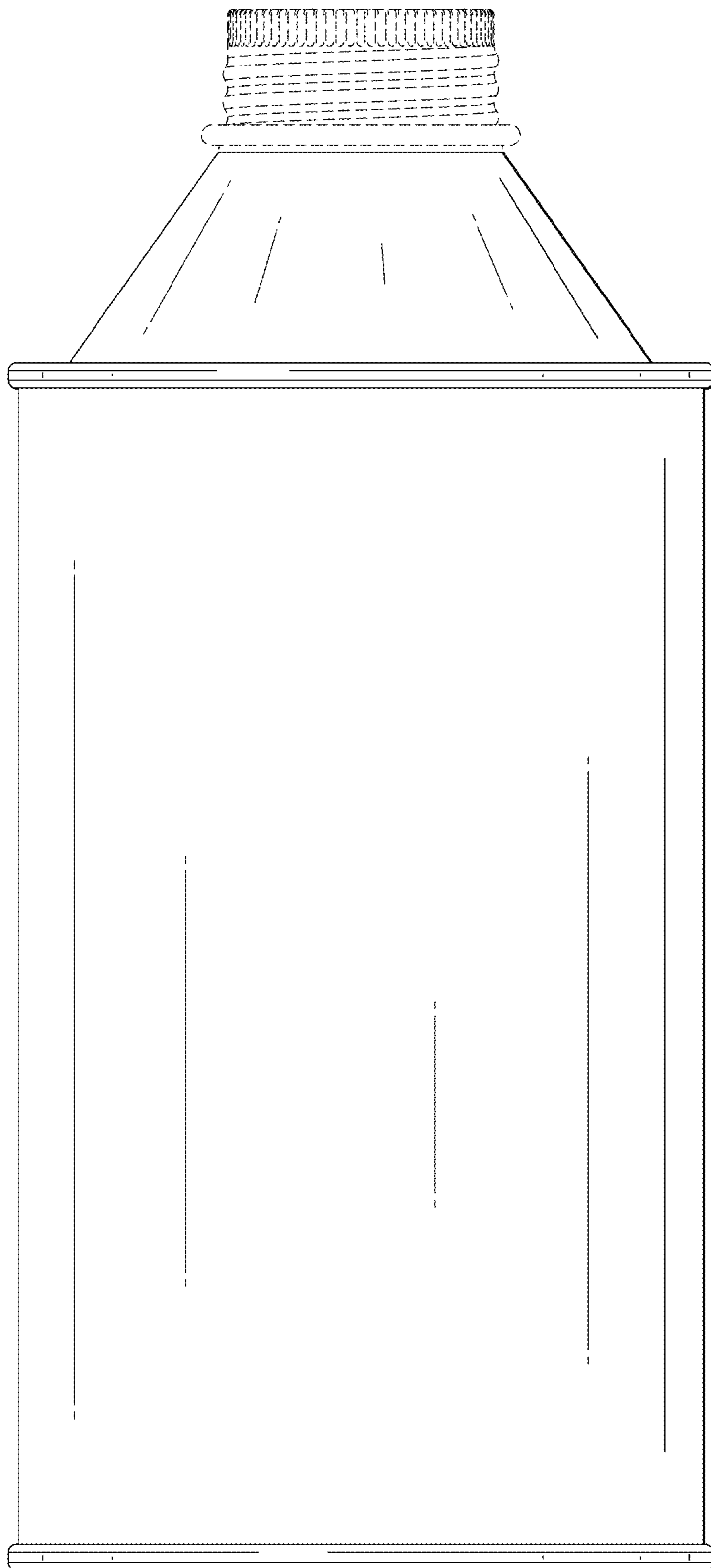


FIG. 10

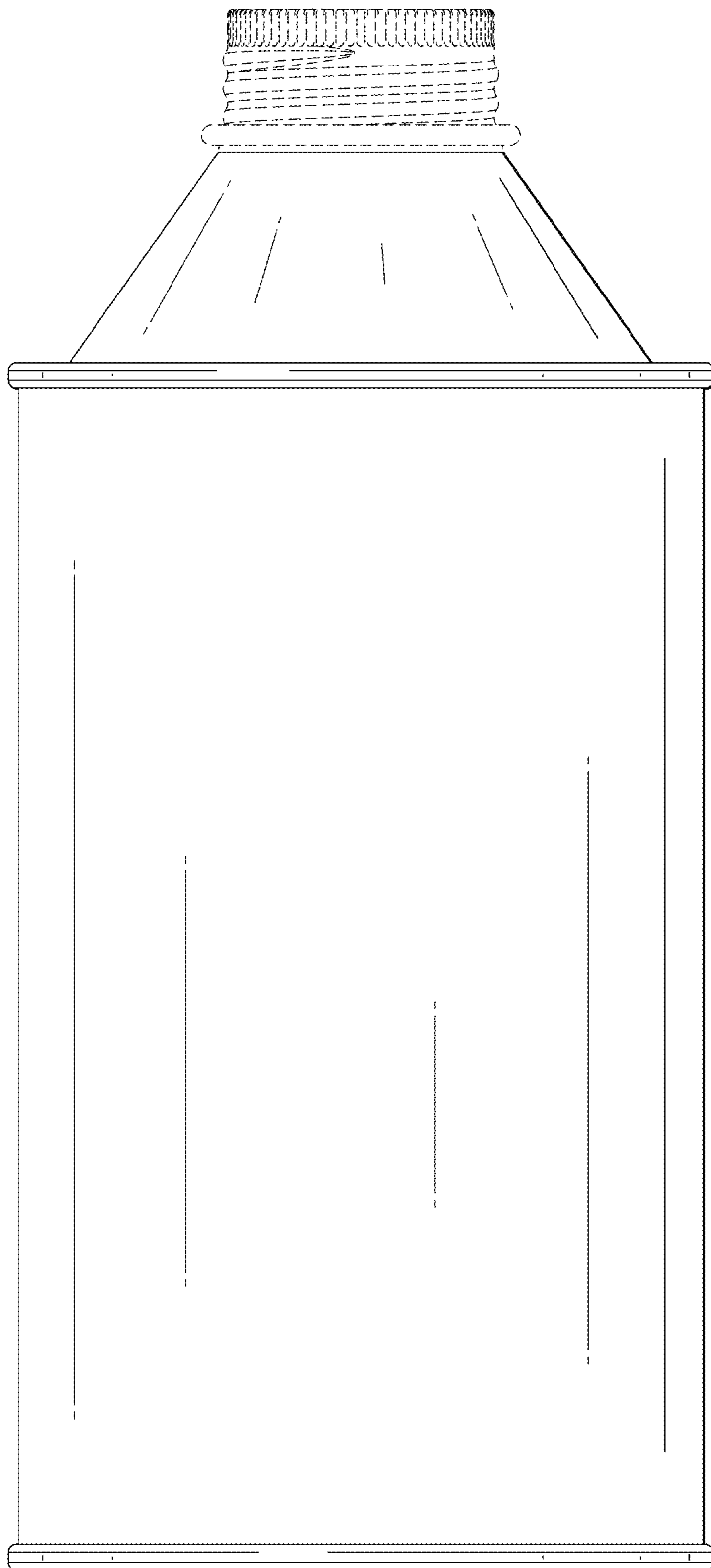


FIG. 11

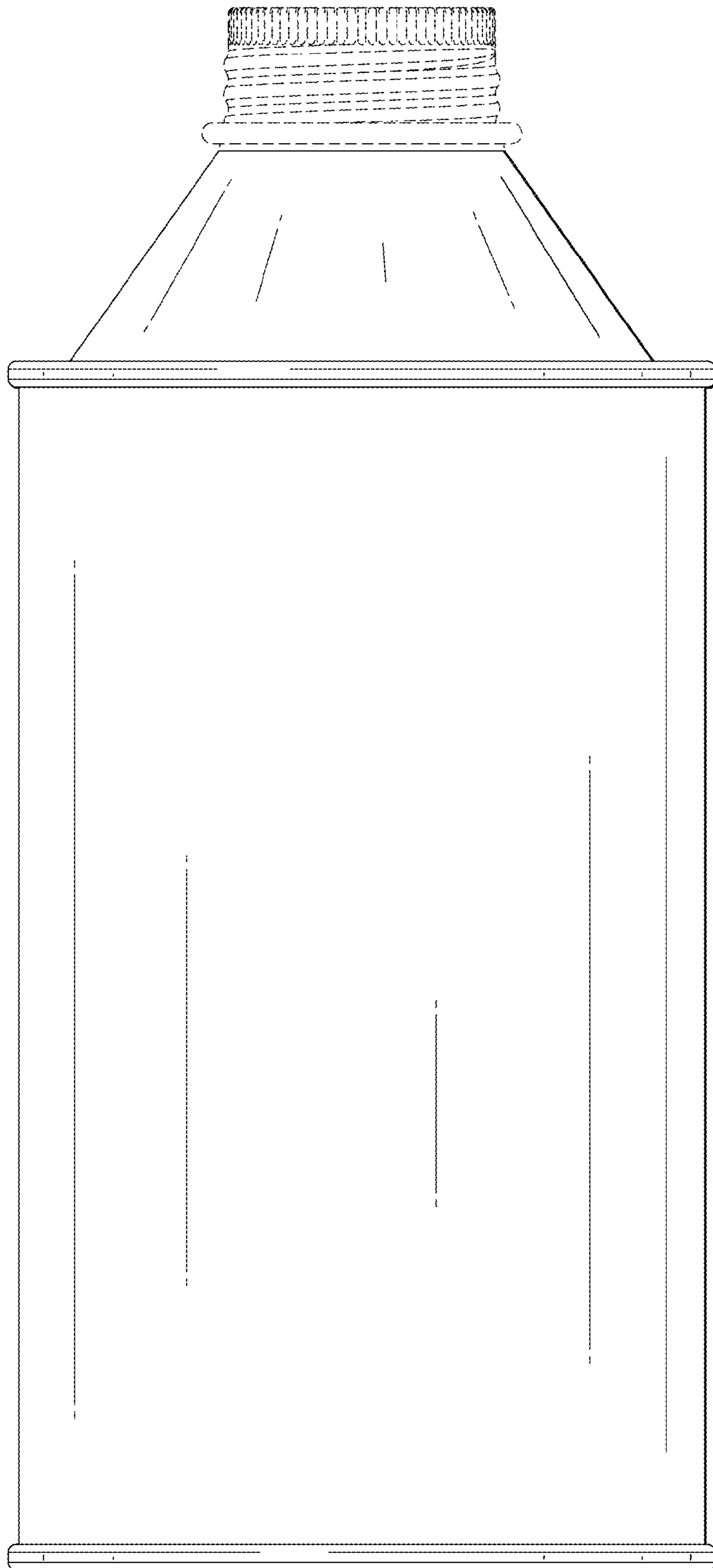


FIG. 12

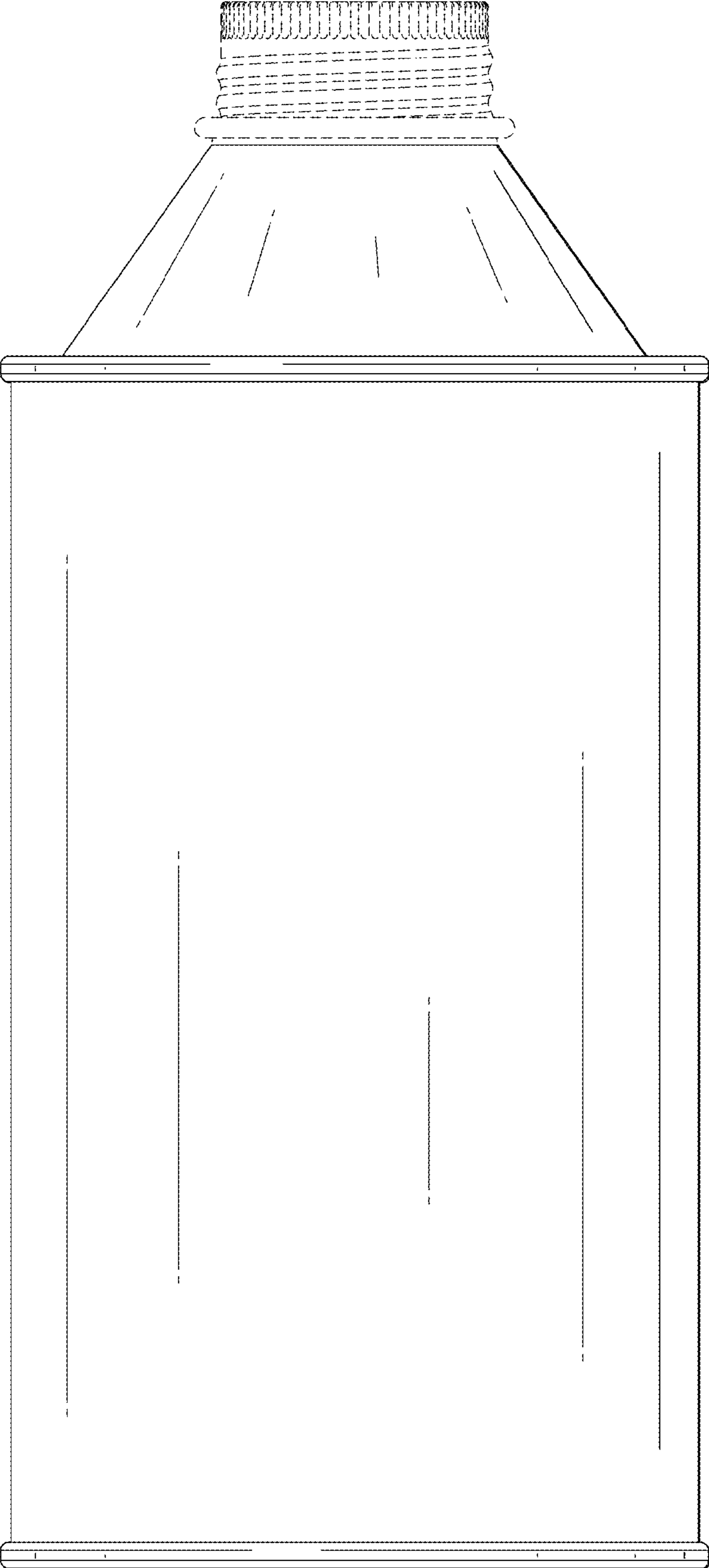


FIG. 13

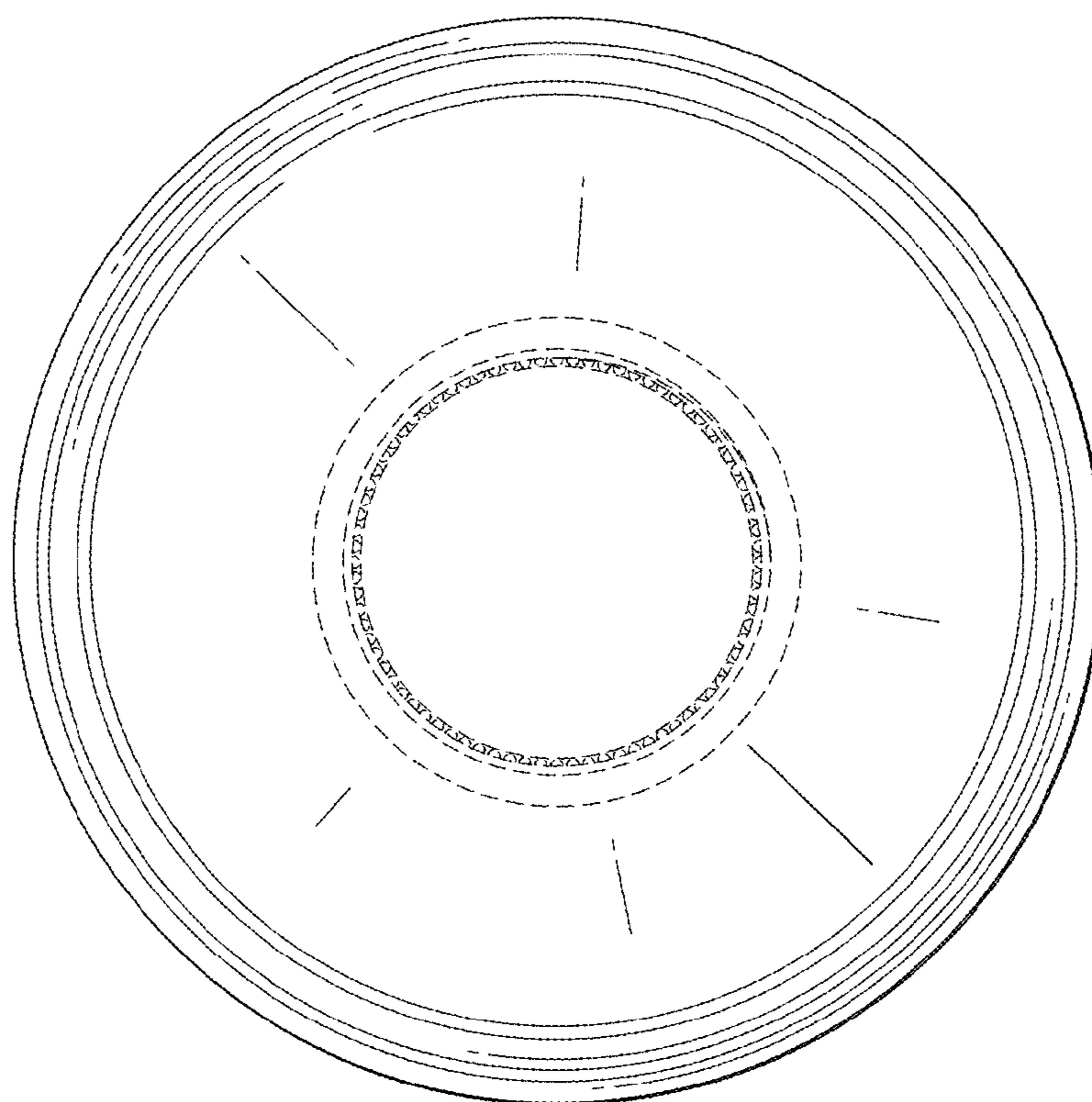


FIG. 14

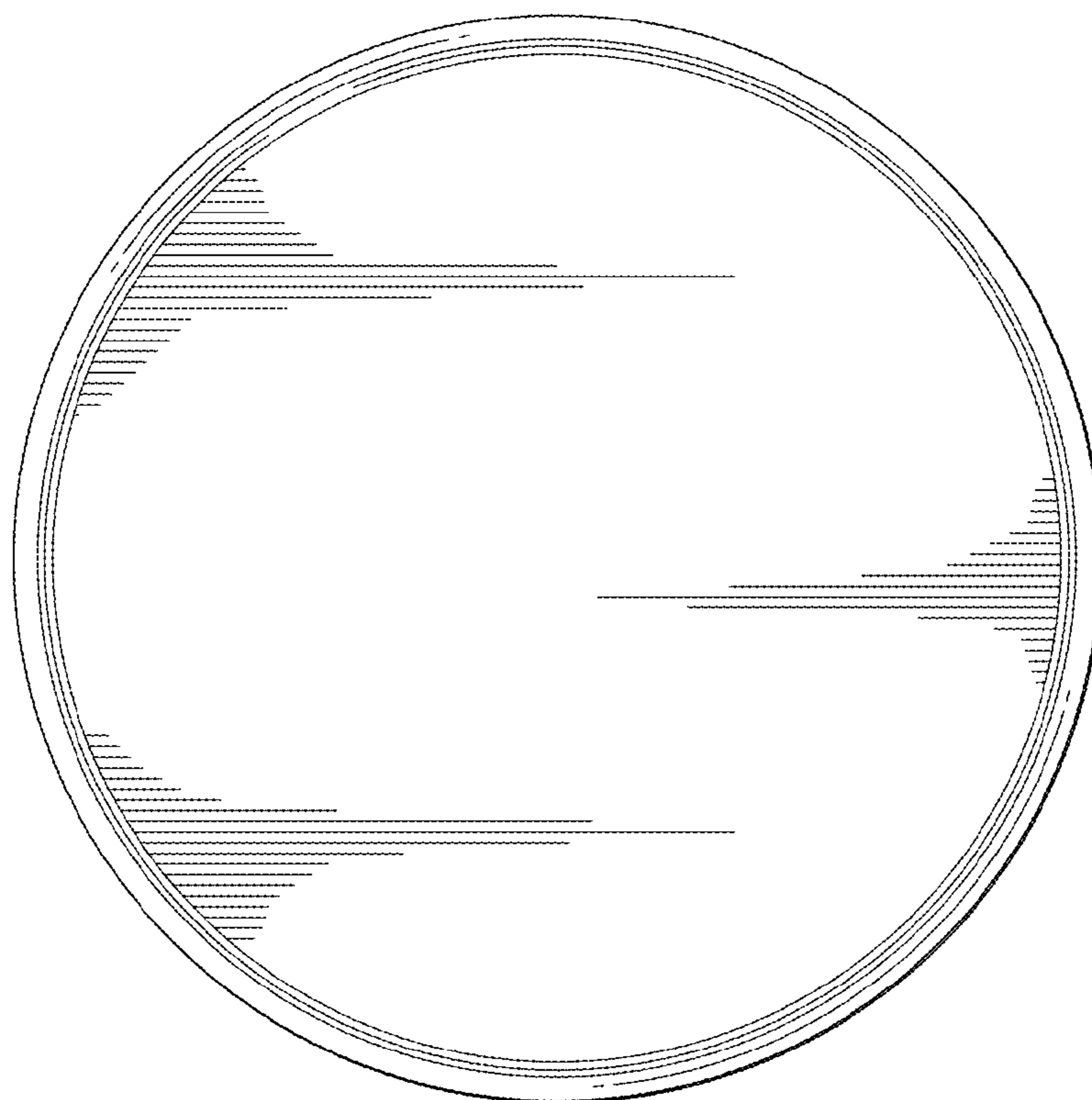


FIG. 15

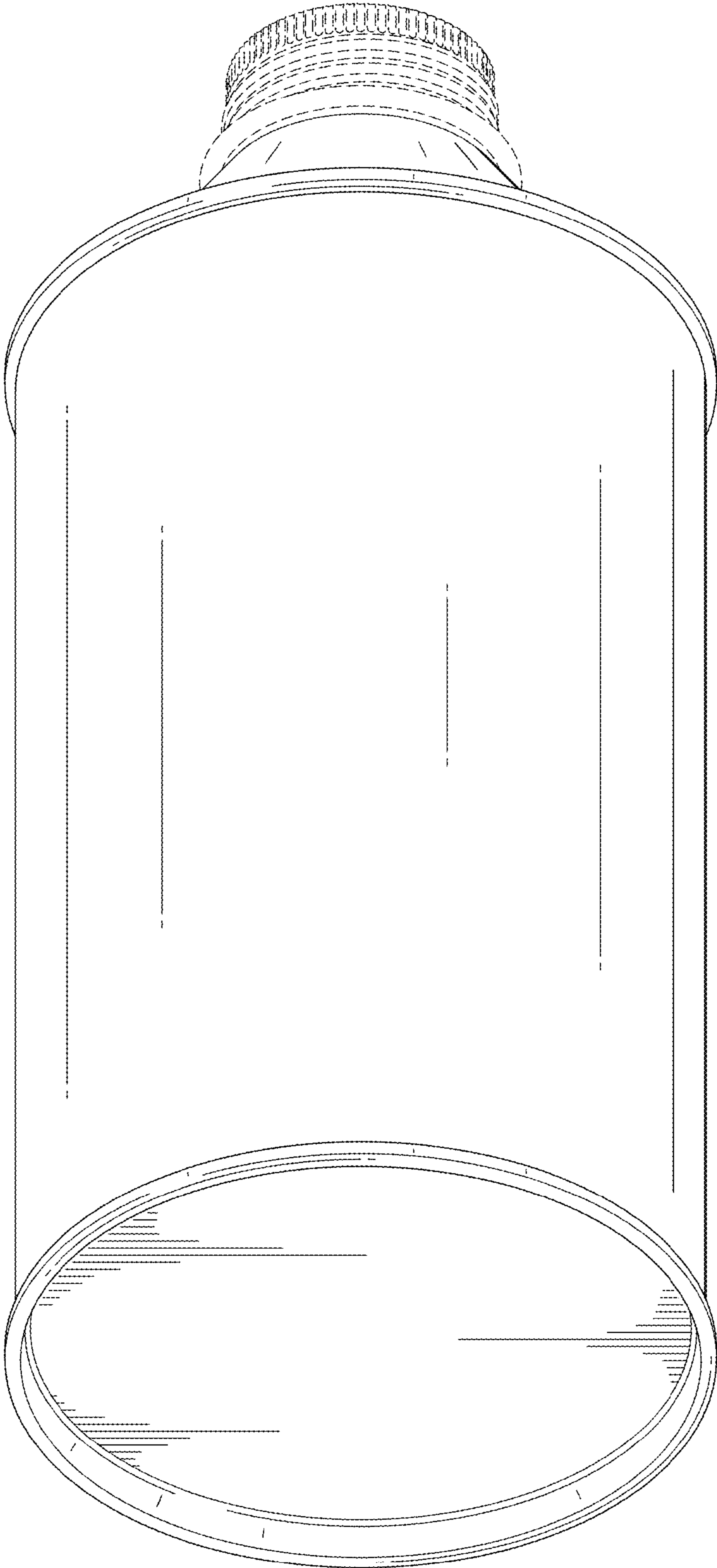


FIG. 16

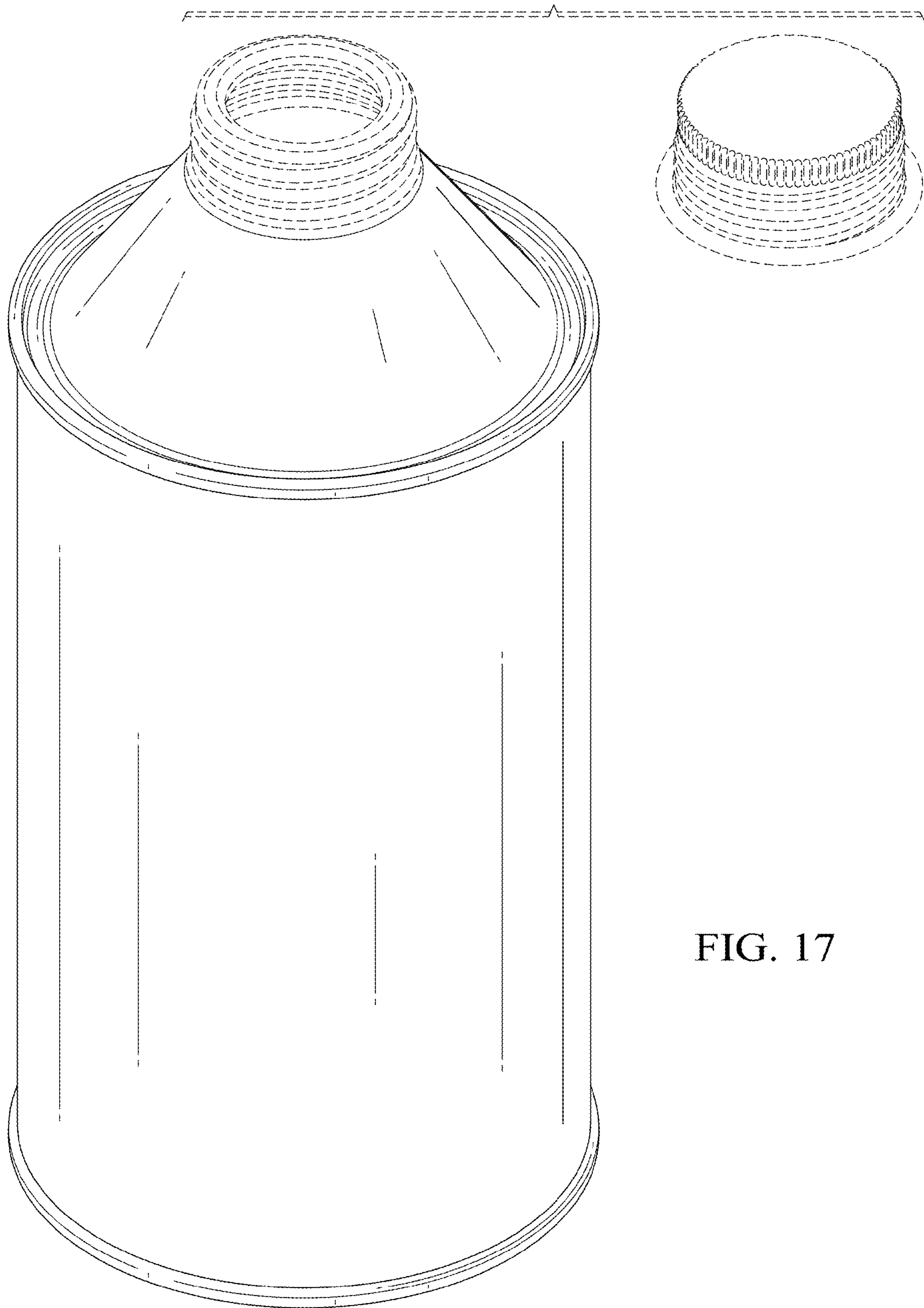


FIG. 17