



US00D971026S

(12) **United States Design Patent**  
**Dai**

(10) **Patent No.:** **US D971,026 S**

(45) **Date of Patent:** **\*\* Nov. 29, 2022**

(54) **EGG CONTAINER**

(71) Applicant: **ShenZhen YiHong Technology Co., LTD**, Guangdong (CN)

(72) Inventor: **Yi Dai**, ShenZhen (CN)

(73) Assignee: **ShenZhen YiHong Technology CO., LTD**, ShenZhen (CN)

(\*\*) Term: **15 Years**

(21) Appl. No.: **29/842,231**

(22) Filed: **Jun. 10, 2022**

(51) **LOC (13) Cl.** ..... **09-03**

(52) **U.S. Cl.**  
USPC ..... **D9/757; D7/611**

(58) **Field of Classification Search**  
USPC ..... D7/601, 602, 609, 611, 503, 614, 703,  
D7/624.3; D9/499, 737, 740, 750, 756,  
D9/757, 758, 761, 762, 414, 418, 419,  
D9/424, 425, 426, 428, 429, 432, 456,  
D9/741, 743, 744, 745  
CPC ..... A47G 19/02; B65D 1/24; F25D 11/00;  
F25C 1/00  
See application file for complete search history.

(56) **References Cited**

**U.S. PATENT DOCUMENTS**

1,631,554	A *	6/1927	Schinscholl	.....	B65D 85/32 206/521.1
D148,824	S *	2/1948	Shepard	.....	206/427
2,634,039	A *	4/1953	Schwertfeger	.....	B65D 85/324 206/521.1
3,191,844	A *	6/1965	Comstock	.....	B65D 85/324 206/521.1
D208,275	S *	8/1967	Pearl	.....	D9/757
D214,022	S *	5/1969	Ringlen	.....	D9/456
3,510,049	A *	5/1970	Donovan	.....	B65D 85/324 47/87
3,601,306	A *	8/1971	Martens	.....	B65D 85/324 206/521.1
3,664,574	A *	5/1972	Pearl	.....	B65D 85/324 206/521.1

(Continued)

**OTHER PUBLICATIONS**

Amazon. YIHONG Clear Pantry Storage Organizer Bins. First available Dec. 28, 2021. Visited Sep. 13, 2022. <https://www.amazon.com/YIHONG-Storage-Organizer-Refrigerator-Organization/dp/B08R9P9CJL?th=1> (Year: 2021).\*

(Continued)

*Primary Examiner* — Darcey E Gottschalk

*Assistant Examiner* — Vanessa M. Pursley

(74) *Attorney, Agent, or Firm* — iPA & iPM

(57) **CLAIM**

The ornamental design for an egg container, as shown and described.

**DESCRIPTION**

FIG. 1 is an exploded perspective view of an egg container with a lid elevated above a bottom portion showing my new design;

FIG. 2 is a perspective view of the egg container with the lid fitted onto the bottom portion thereof;

FIG. 3 is a perspective bottom view thereof;

FIG. 4 is a front view thereof;

FIG. 5 is a back view thereof;

FIG. 6 is a left side view thereof;

FIG. 7 is a right side view thereof;

FIG. 8 is a top view thereof;

FIG. 9 is a bottom view thereof;

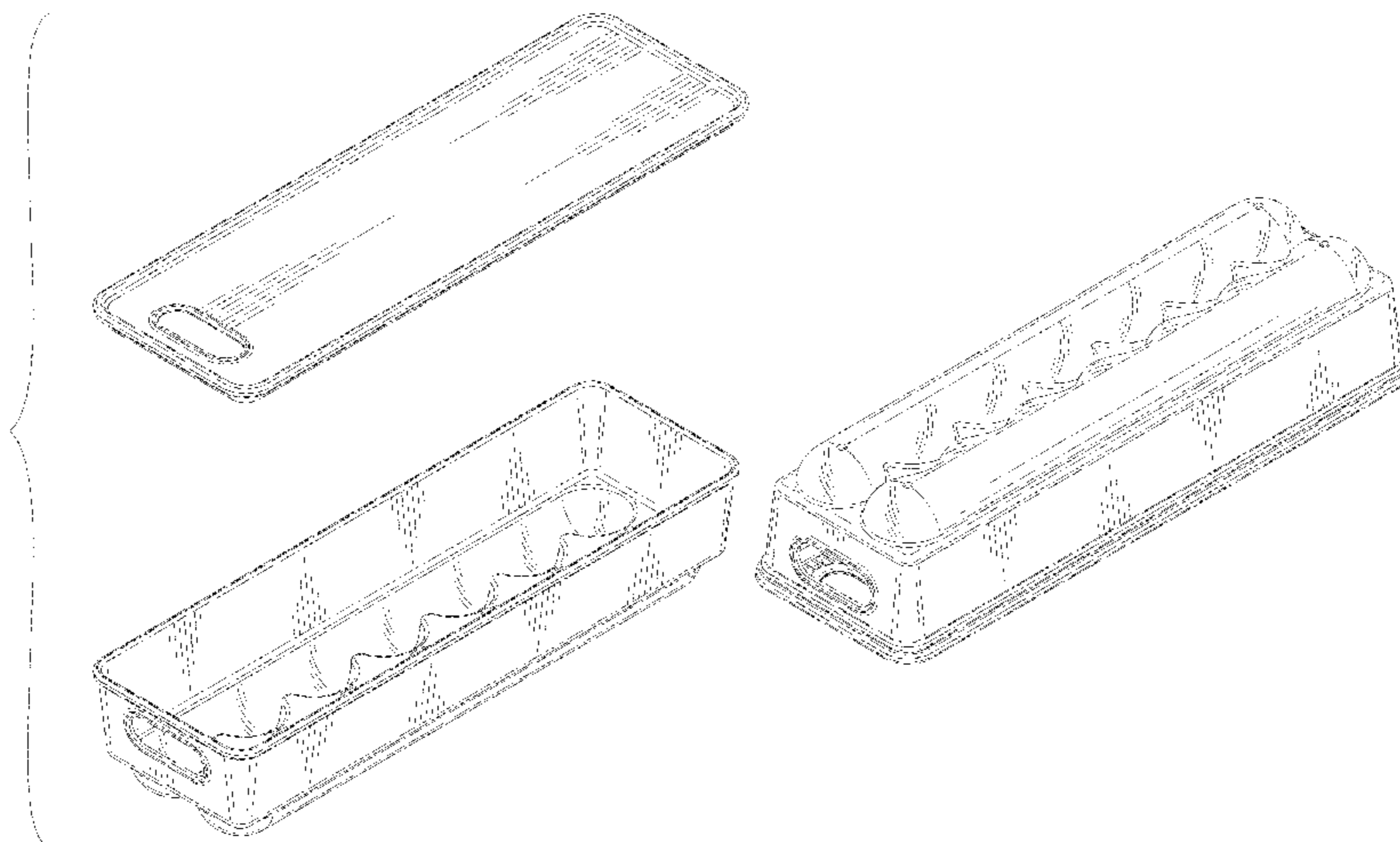
FIG. 10 is a perspective inside view of the lid;

FIG. 11 is a top view of the bottom portion; and,

FIG. 12 is an enlarged view of area 12 from FIG. 10.

In FIGS. 10 and 12, the dash-dot-dash broken lines represent the bounds of the enlarged view that forms no part of the claim.

**1 Claim, 8 Drawing Sheets**



(56)

References Cited

U.S. PATENT DOCUMENTS

D224,518 S \* 8/1972 Pearl ..... B65D 85/324  
206/521.1  
D239,875 S \* 5/1976 Armstrong ..... D15/89  
D244,258 S \* 5/1977 Petersen ..... D9/757  
D256,667 S \* 9/1980 Congleton ..... D9/757  
5,344,023 A 9/1994 Cox et al.  
D380,349 S \* 7/1997 Indekeu ..... D7/553.7  
D415,022 S \* 10/1999 Gaudet ..... D9/756  
D416,482 S \* 11/1999 McCann ..... D9/757  
6,325,691 B1 \* 12/2001 Witte, Jr. .... B65D 85/32  
446/76  
D504,325 S \* 4/2005 Vovan ..... D9/425  
D530,921 S \* 10/2006 Snell ..... D3/304  
D587,452 S \* 3/2009 Bisson ..... B65D 85/324  
D3/273  
D606,421 S \* 12/2009 Krummenacher ..... D9/757  
D615,396 S \* 5/2010 Changpan ..... D9/425  
D637,483 S \* 5/2011 Snedden ..... D9/425  
D659,551 S 5/2012 Ramirez et al.  
D679,863 S \* 4/2013 Sunder ..... D9/425  
D682,120 S \* 5/2013 Attard ..... D9/757  
D688,572 S \* 8/2013 Marin ..... D9/425  
D694,126 S \* 11/2013 Blanchette ..... D9/757  
D698,612 S 2/2014 Kraemer  
D719,019 S \* 12/2014 Avis ..... D9/432  
D719,849 S \* 12/2014 Buckley ..... D9/757  
D724,900 S \* 3/2015 Kraemer ..... D7/611  
D732,401 S \* 6/2015 Blanchette ..... D9/757  
D739,767 S \* 9/2015 Schleining ..... D9/757  
D750,443 S \* 3/2016 Kraemer ..... D7/611  
D763,104 S \* 8/2016 Akana ..... D9/756  
9,617,060 B1 4/2017 Hanna  
D789,217 S \* 6/2017 Antons ..... D9/755  
D799,211 S \* 10/2017 Li ..... D3/302  
D828,759 S \* 9/2018 Caly ..... D9/644  
D834,952 S 12/2018 Kuruvilla et al.  
D836,454 S \* 12/2018 Caly ..... D9/644  
D857,463 S 8/2019 Cavalier et al.  
D864,652 S 10/2019 Lindsay et al.  
D875,552 S 2/2020 Tayara  
D882,344 S \* 4/2020 Lin ..... D7/609  
D918,741 S 5/2021 Laflamme  
D919,701 S 5/2021 Liu  
D940,572 S 1/2022 Mraz

D945,771 S \* 3/2022 Dai ..... D3/304  
D962,459 S \* 8/2022 Wang ..... B65D 85/324  
D24/209  
D966,904 S \* 10/2022 Bergeron ..... D9/757  
2010/0191677 A1 \* 7/2010 Honig ..... A47J 29/06  
220/508  
2011/0226656 A1 9/2011 Archambault  
2013/0212981 A1 \* 8/2013 Chait ..... B65D 85/322  
53/443  
2013/0264243 A1 \* 10/2013 Aardema ..... B65D 85/32  
206/521.1  
2013/0306641 A1 \* 11/2013 Hunsaker ..... B65D 1/36  
220/508  
2021/0371191 A1 \* 12/2021 Veenje ..... B65D 85/324

OTHER PUBLICATIONS

Amazon. JAMOR 12 Grid Egg Storage Box. First available Mar. 6, 2021. Visited Sep. 13, 2022. <https://www.amazon.com/JAMOR-Refrigerator-Stackable-Transparent-BPA-Free/dp/B08Y6B435T> (Year: 2021).\*

Amazon. Kitchen Clear Plastic Egg Holder. First available Aug. 24, 2021. Visited Sep. 13, 2022. <https://www.amazon.com/Egg-Refrigerator-Stackable-GLSOGL-Containers/dp/B096MGP5K5/> (Year: 2021).\*

Amazon. Utopia Home Egg Container for Refrigerator. First available Aug. 11, 2021. Visited Sep. 13, 2022. <https://www.amazon.com/Utopia-Home-Egg-Container-Refrigerator/dp/B09CD69XSW/> (Year: 2021).\*

Firefly Buys. Cuisinart Egg Holder with Lid and Handle. Publication date unavailable. Visited Sep. 13, 2022. <https://tinyurl.com/2bb6wrhw> (Year: 0).\*

Find This Best. Best Refrigerator Egg Trays. Published Sep. 2, 2022 by Mark Greer. Visited Sep. 13, 2022. <https://www.findthisbest.com/best-refrigerator-egg-trays> (Year: 2022).\*

Amazon. Copco Square Fridge Bin. First available Oct. 1, 2021. Visited Sep. 14, 2022. [https://www.amazon.com/Copco-Fridge-16-5-4-2-Inch-Clear/dp/B09HN6X2XZ/ref=asc\\_df\\_B09HN6JHSQ?th=1](https://www.amazon.com/Copco-Fridge-16-5-4-2-Inch-Clear/dp/B09HN6X2XZ/ref=asc_df_B09HN6JHSQ?th=1) (Year: 2021).\*

“Totally Kitchen Egg Holder for Refrigerator, Fridge Organizers and Storage Clear, BPA-Free Plastic Storage Container with Lid & Handles, 14 Eggs Tray Bins” Manufacturer: Totally Kitchen. First Available on Nov. 15, 2017. Site visited on Jun. 7, 2022 Available link as follows: <https://www.amazon.com/dp/B0764M3MZ9>.

\* cited by examiner

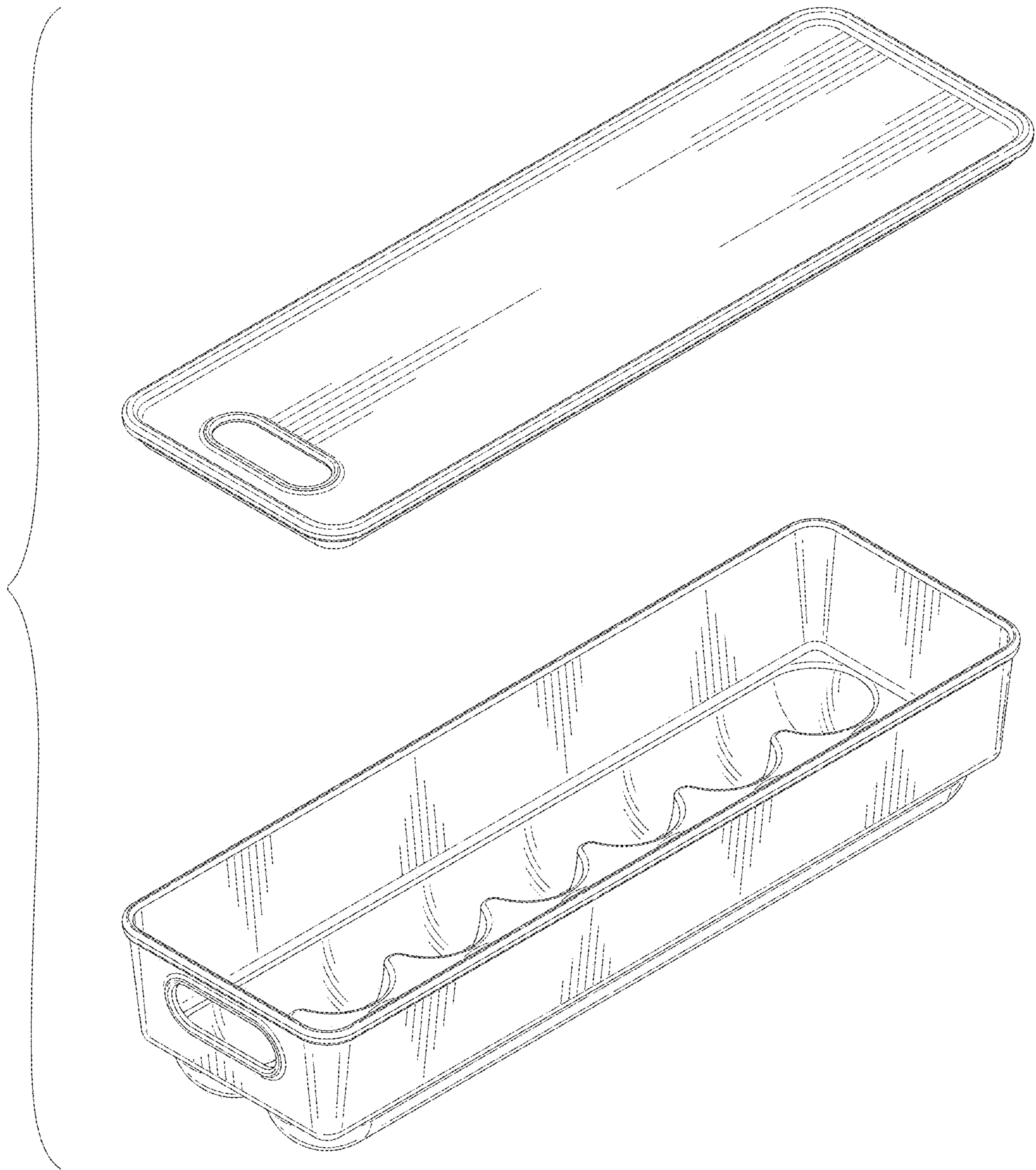


FIG. 1

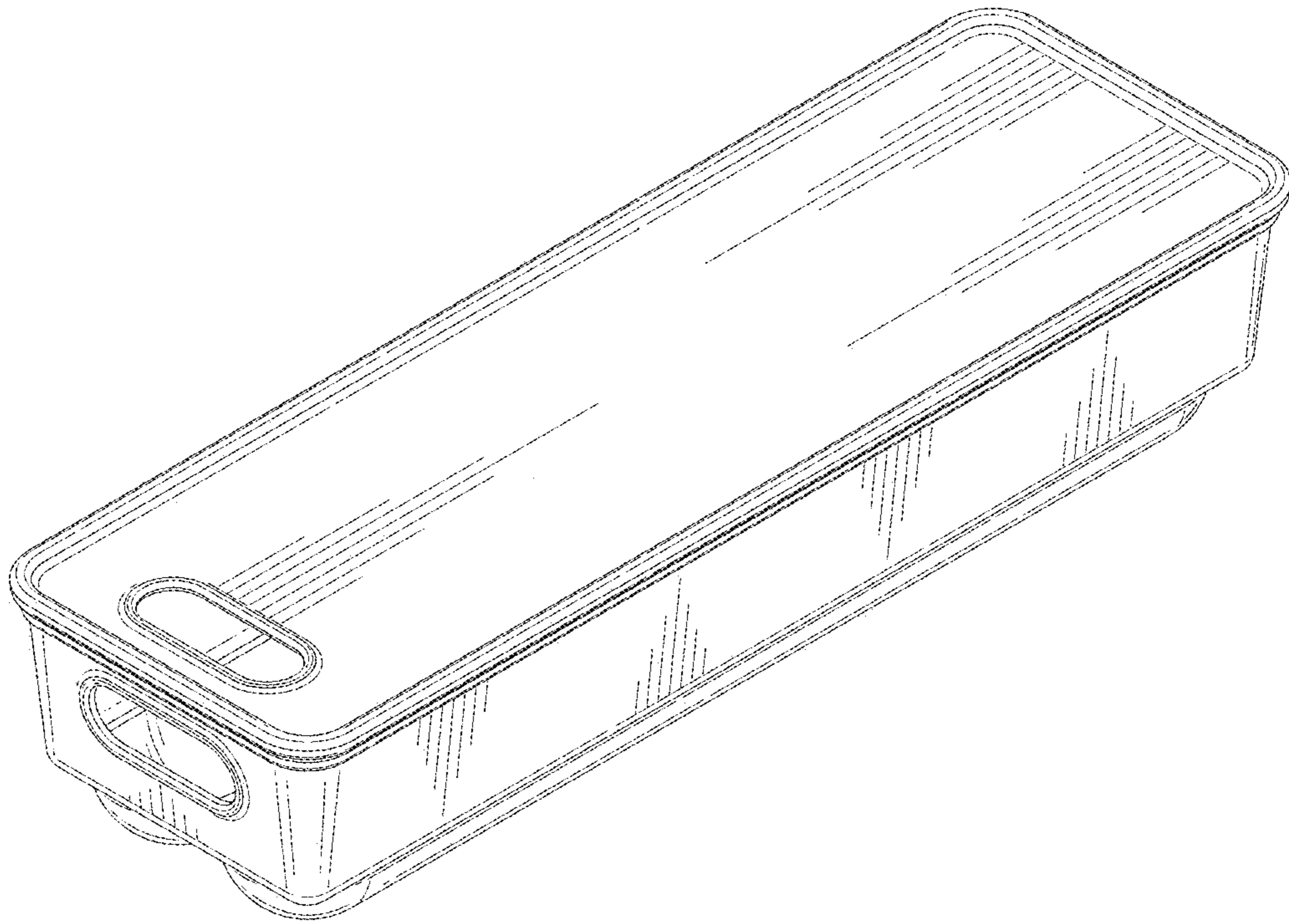


FIG. 2

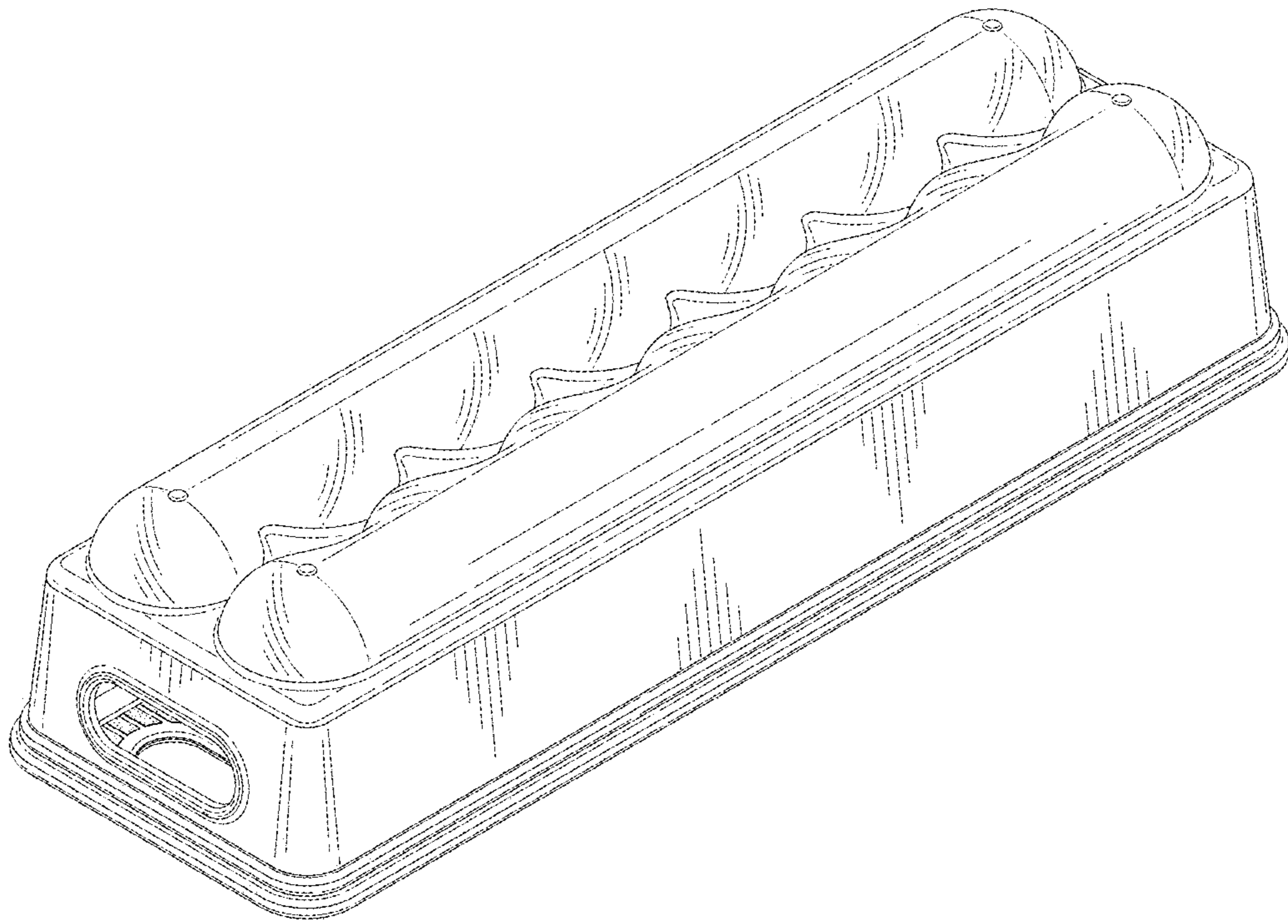


FIG. 3

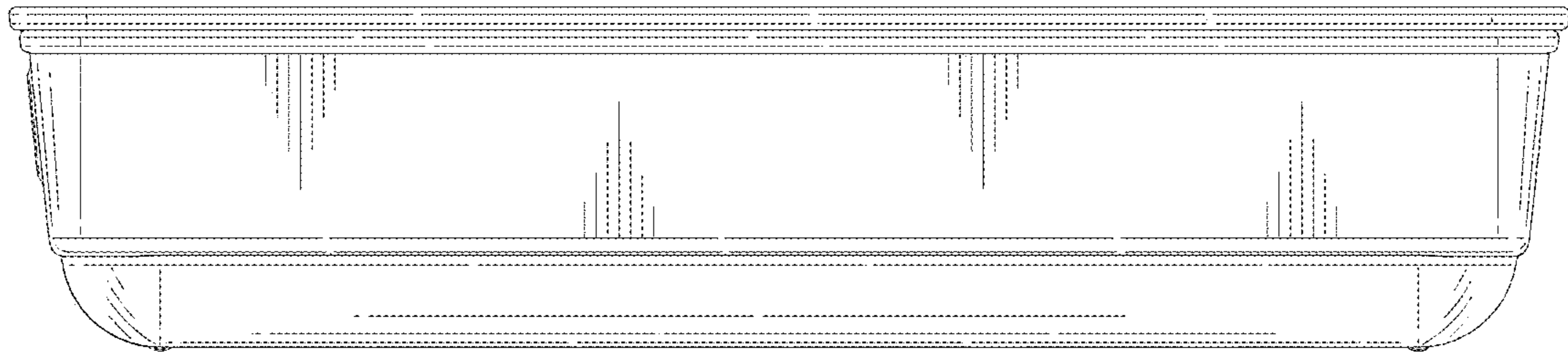


FIG. 4

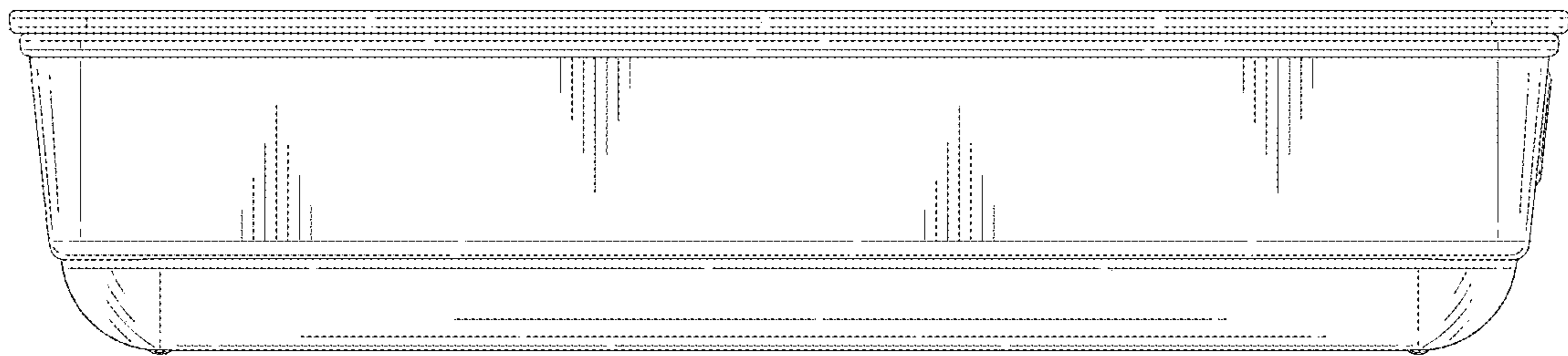


FIG. 5

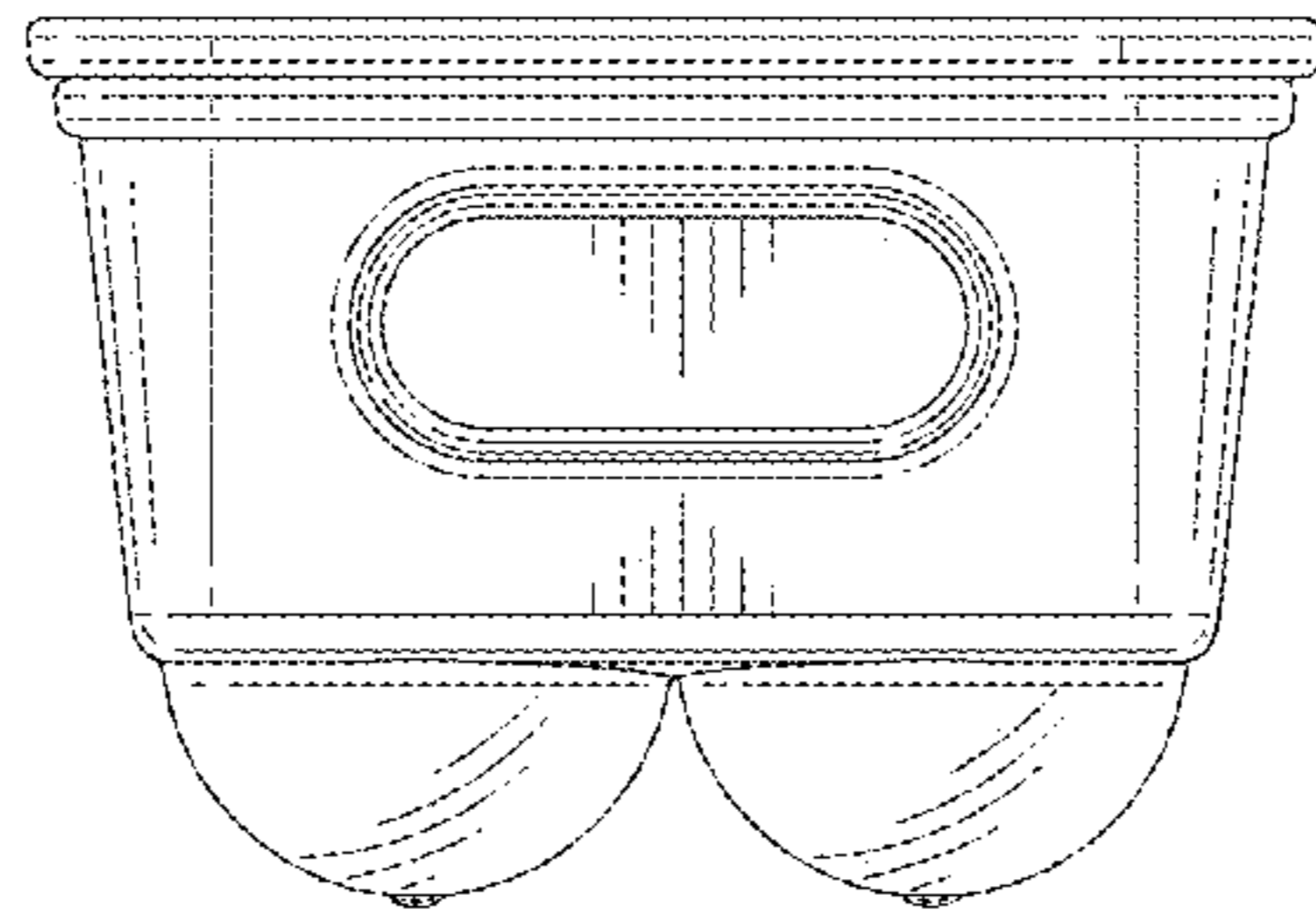


FIG. 6

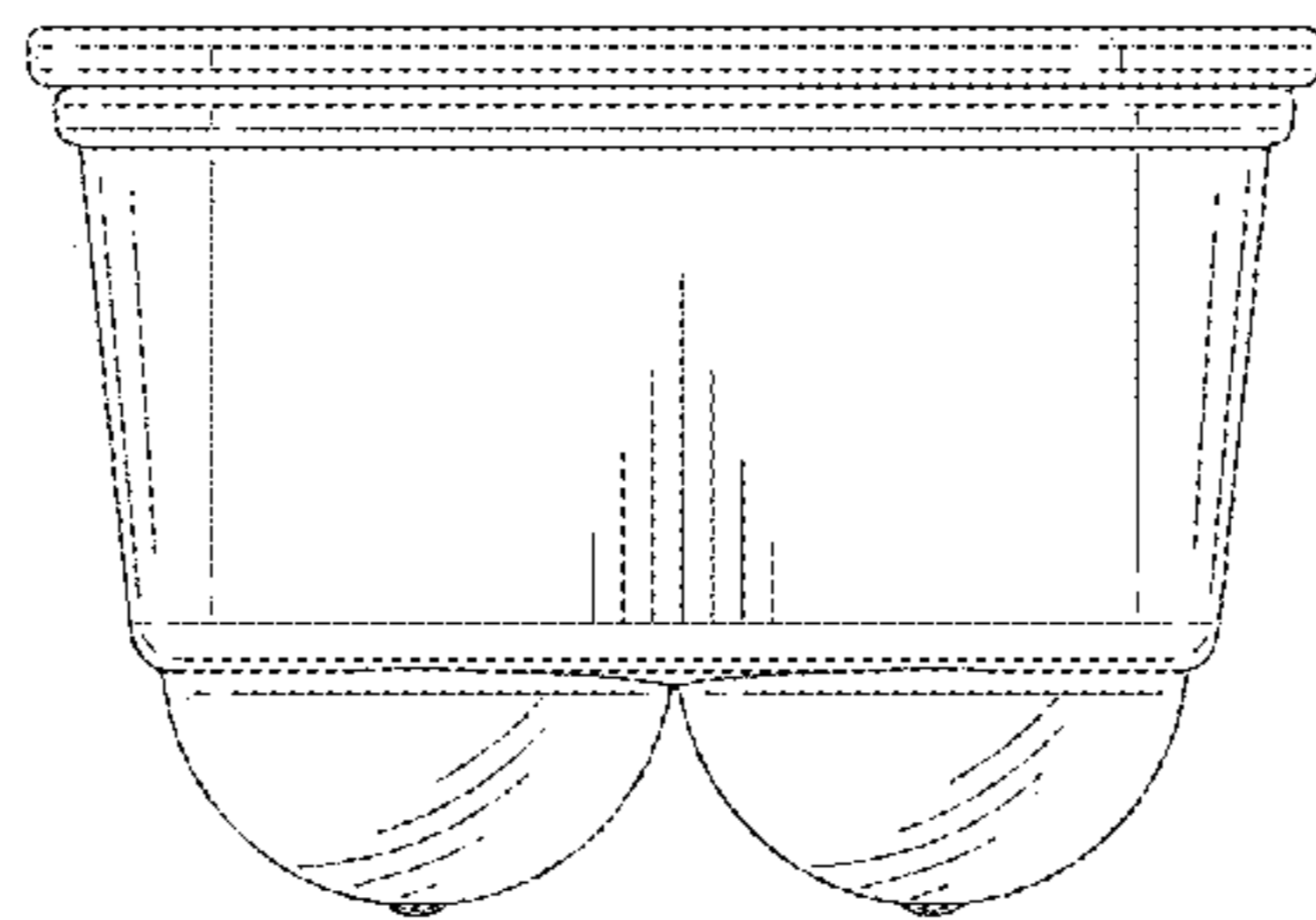


FIG. 7

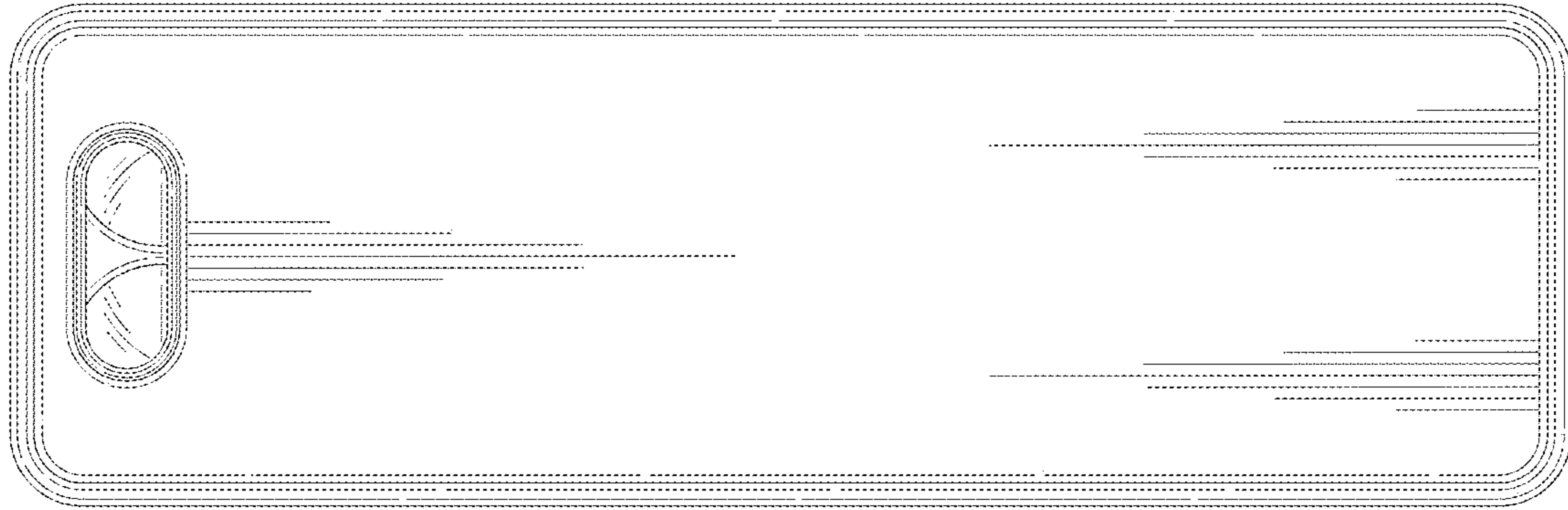


FIG. 8

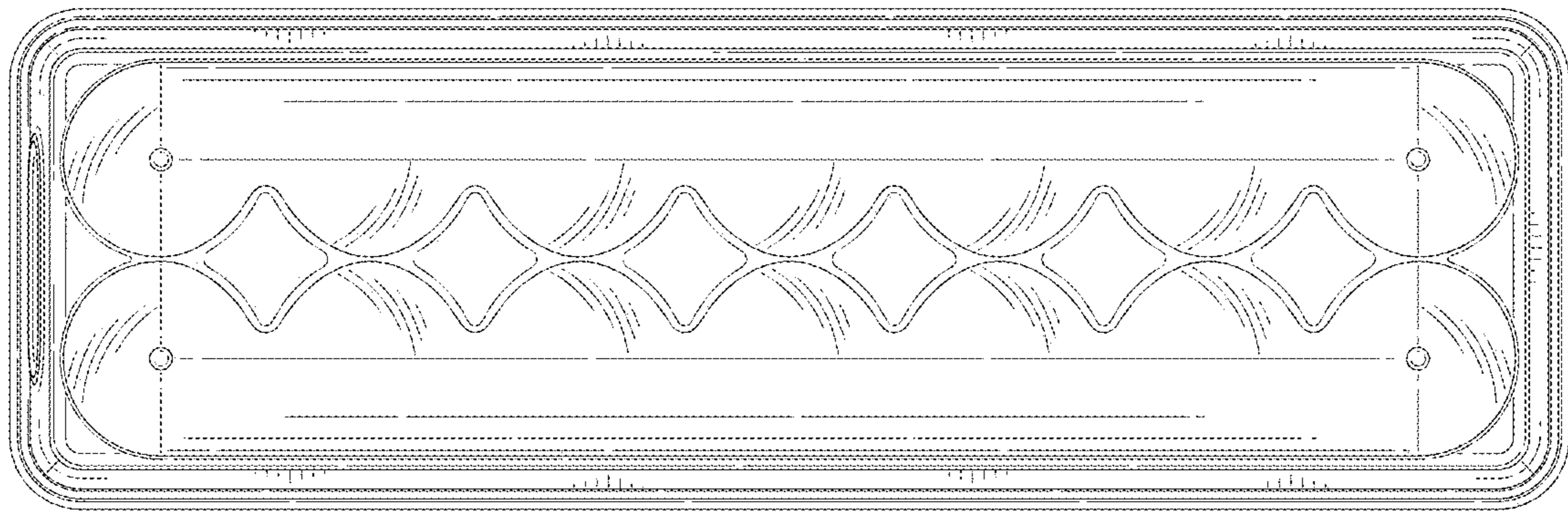


FIG. 9



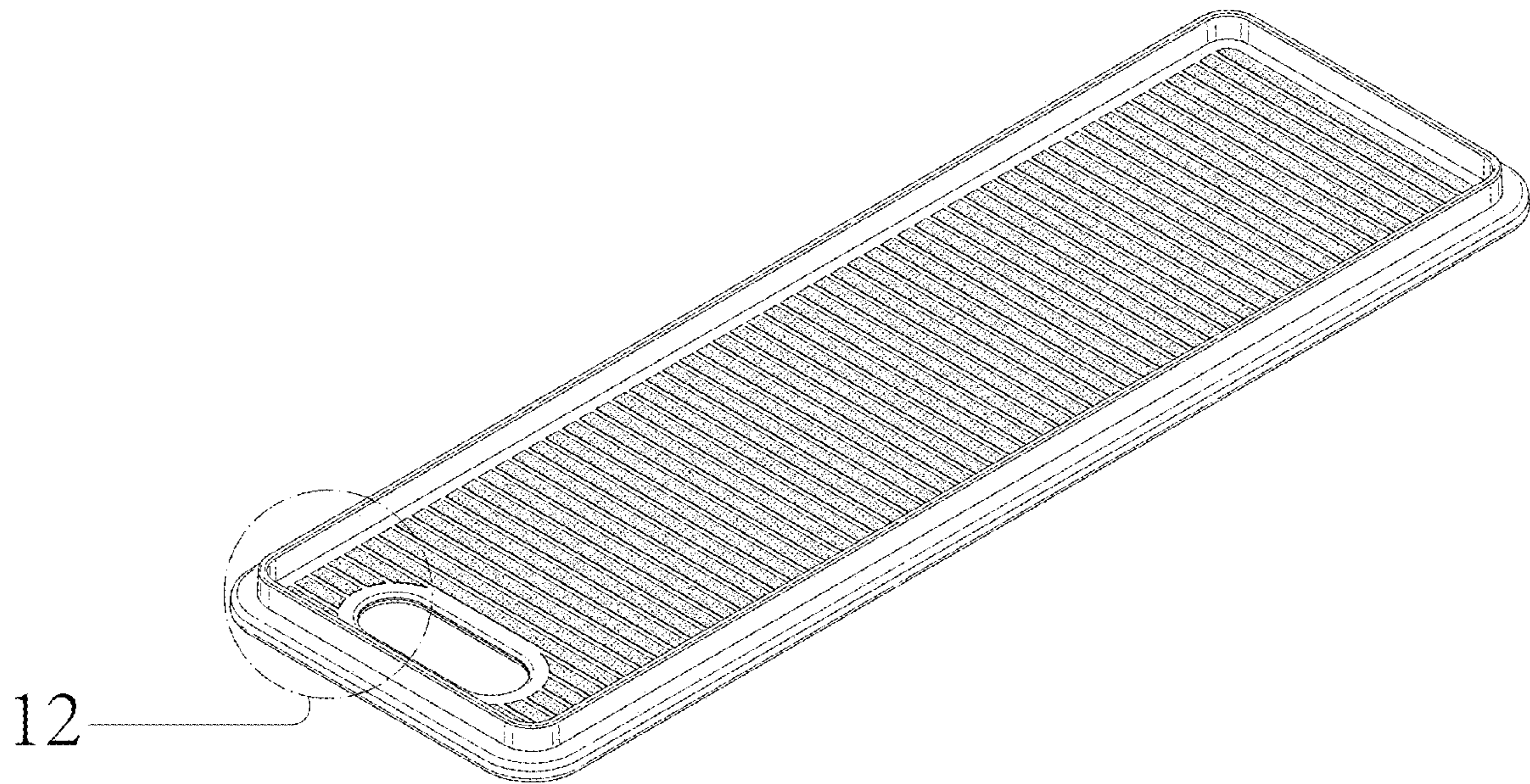


FIG.10

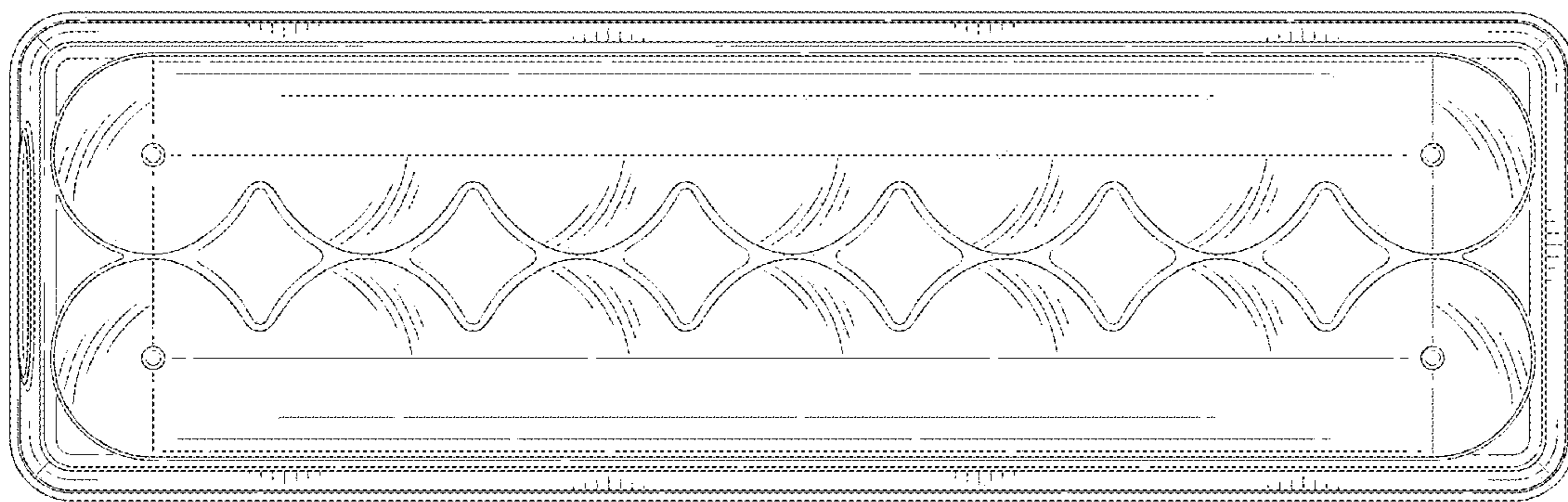


FIG.11

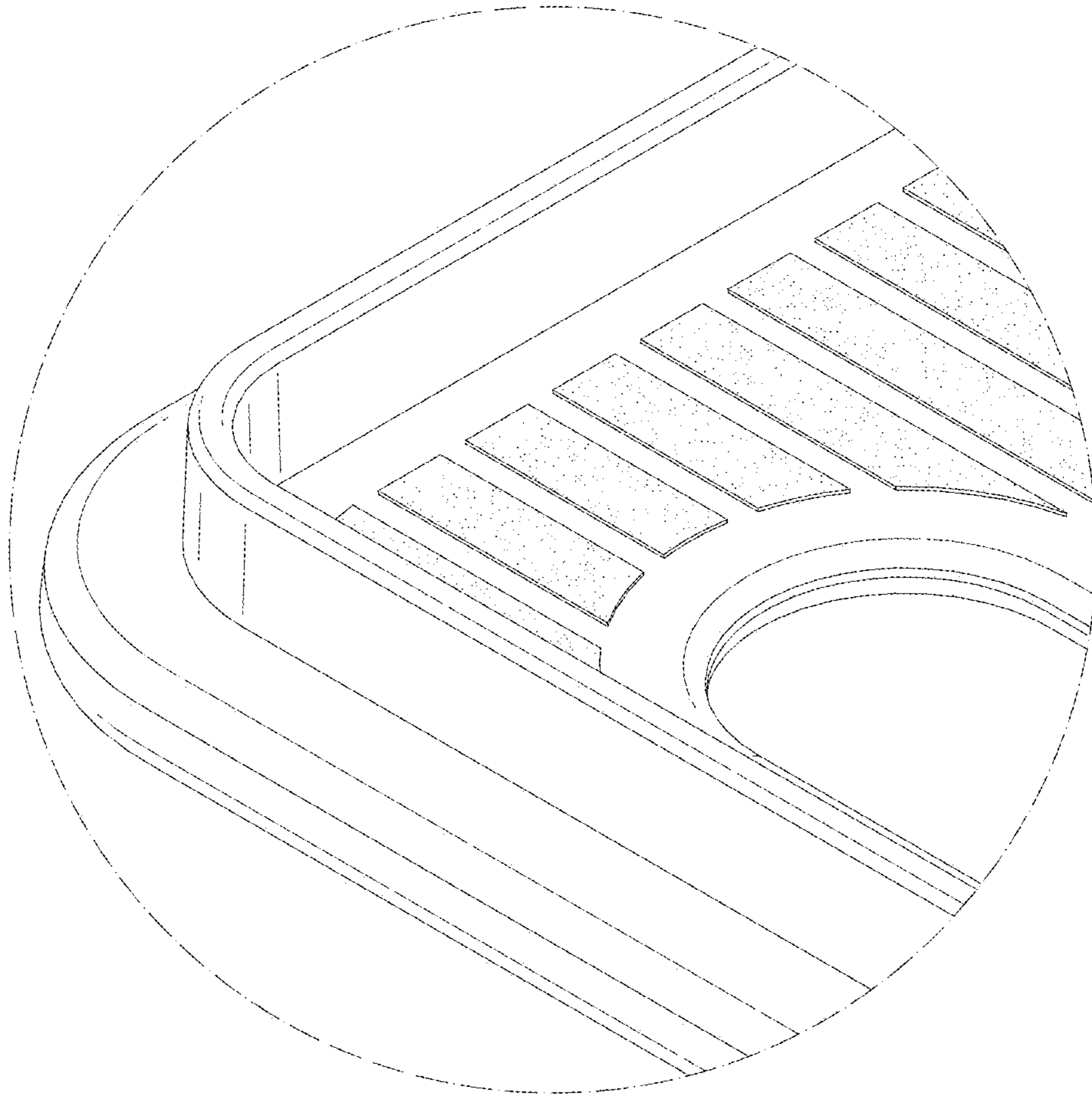


FIG.12