

US00D971025S

(12) **United States Design Patent**
Moss

(10) **Patent No.:** **US D971,025 S**

(45) **Date of Patent:** **** Nov. 29, 2022**

(54) **SPRAY BOTTLE**

(71) Applicant: **Cheryl Glenda Moss**, Brisbane (AU)

(72) Inventor: **Cheryl Glenda Moss**, Brisbane (AU)

(**) Term: **15 Years**

(21) Appl. No.: **29/691,062**

(22) Filed: **May 14, 2019**

(51) **LOC (13) Cl.** **09-01**

(52) **U.S. Cl.**

USPC **D9/682**; D9/694; D9/531; D9/559;
D23/225

(58) **Field of Classification Search**

USPC D9/651, 682, 685, 687, 694, 546, 559,
D9/448; D23/224, 225, 231; D6/542;
D8/2; D7/300.1, 313, 590, 398; 215/4, 5
CPC A01G 25/145; B65D 1/0223; B65D
2501/0081; B05B 11/0037; B05B 11/30;
B05B 11/3001; B05B 11/3046; B05B
11/3061

See application file for complete search history.

(56) **References Cited**

U.S. PATENT DOCUMENTS

- 1,292,188 A * 1/1919 Wheeler A63H 33/16
446/85
- D78,936 S * 7/1929 Norton et al. D28/91.1
- D86,584 S * 3/1932 Smith D9/546
- D97,681 S * 12/1935 Larsen D9/651
- D204,517 S * 4/1966 Macnaughton D9/448
- 3,381,844 A * 5/1968 Sieve B65D 43/169
220/837
- D246,004 S * 10/1977 Goff D21/373

- D282,770 S * 2/1986 Tada D23/224
- D429,544 S * 8/2000 Terry, III 30/2
- D632,027 S * 2/2011 Johnston D30/121
- D711,236 S * 8/2014 Friesen D9/519
- 2011/0011394 A1* 1/2011 Edwards A23G 1/305
128/200.18
- 2012/0308357 A1* 12/2012 Friesen B65D 1/0223
414/802

FOREIGN PATENT DOCUMENTS

EP 2674391 A1 * 12/2013 B67D 3/0067

OTHER PUBLICATIONS

Dodecahedron image shown on webpage: <https://commons.wikimedia.org/wiki/File:Dodecahedron.stl> Publication date: Feb. 24, 2018 [Accessed Sep. 29, 2020] (Year: 2018).*

Brass plant mister displayed on web page: <https://www.amazon.com/Birchwood-Moss-Geometric-Terrarium-Succulents/dp/B07QK5G96Q> [Accessed Sep. 30, 2020] (Year: 2020).*

* cited by examiner

Primary Examiner — Catherine A Tuttle

(57) **CLAIM**

The ornamental design for spray bottle, as shown and described.

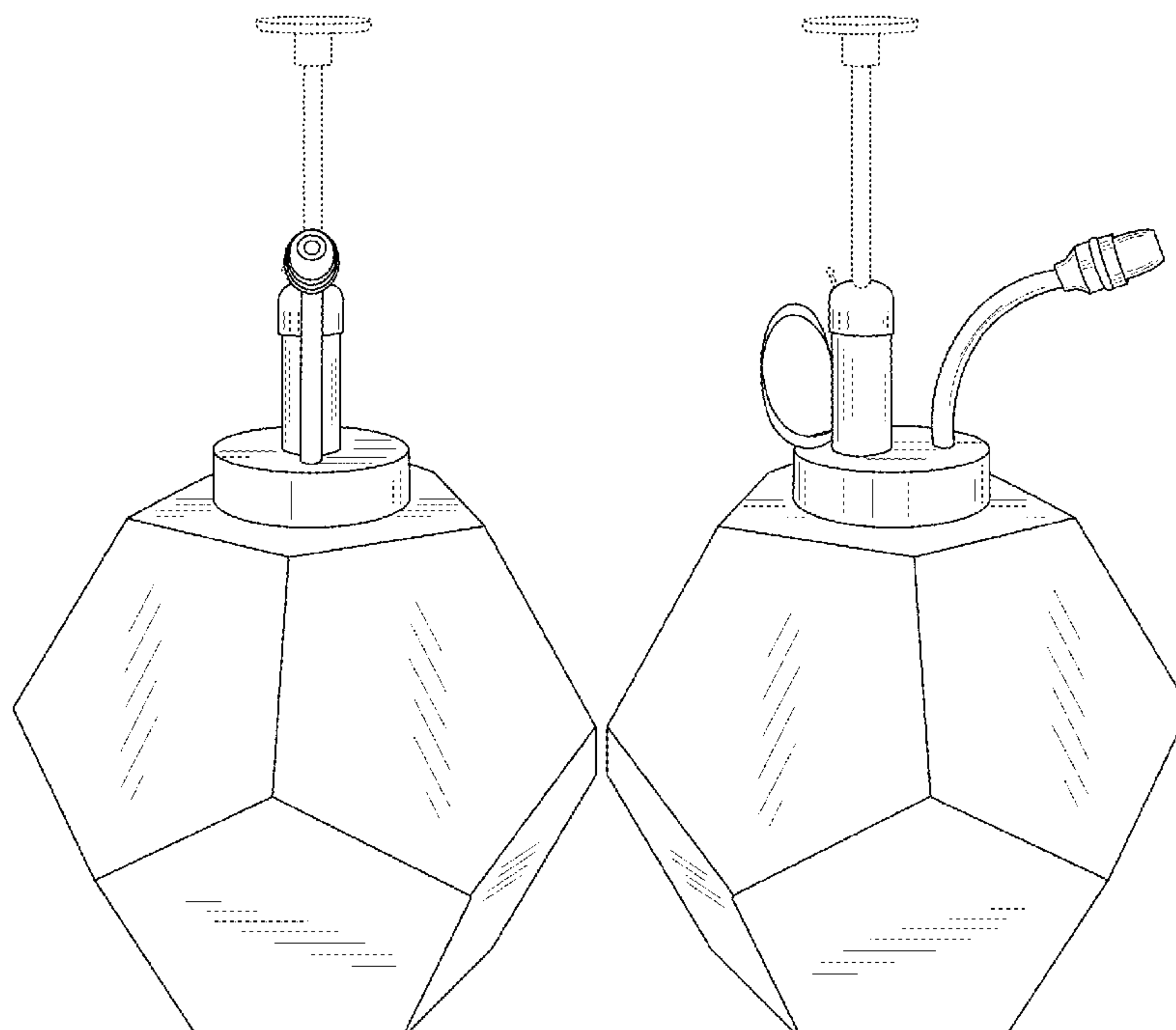
DESCRIPTION

FIG. 1 is a top front perspective view of the spray bottle showing my new design;

FIG. 2 is a top and left-rear perspective view thereof; and, FIG. 3 is a top and right perspective view thereof.

The broken lines depict the portions of the spray bottle that form no part of the claimed design.

1 Claim, 3 Drawing Sheets



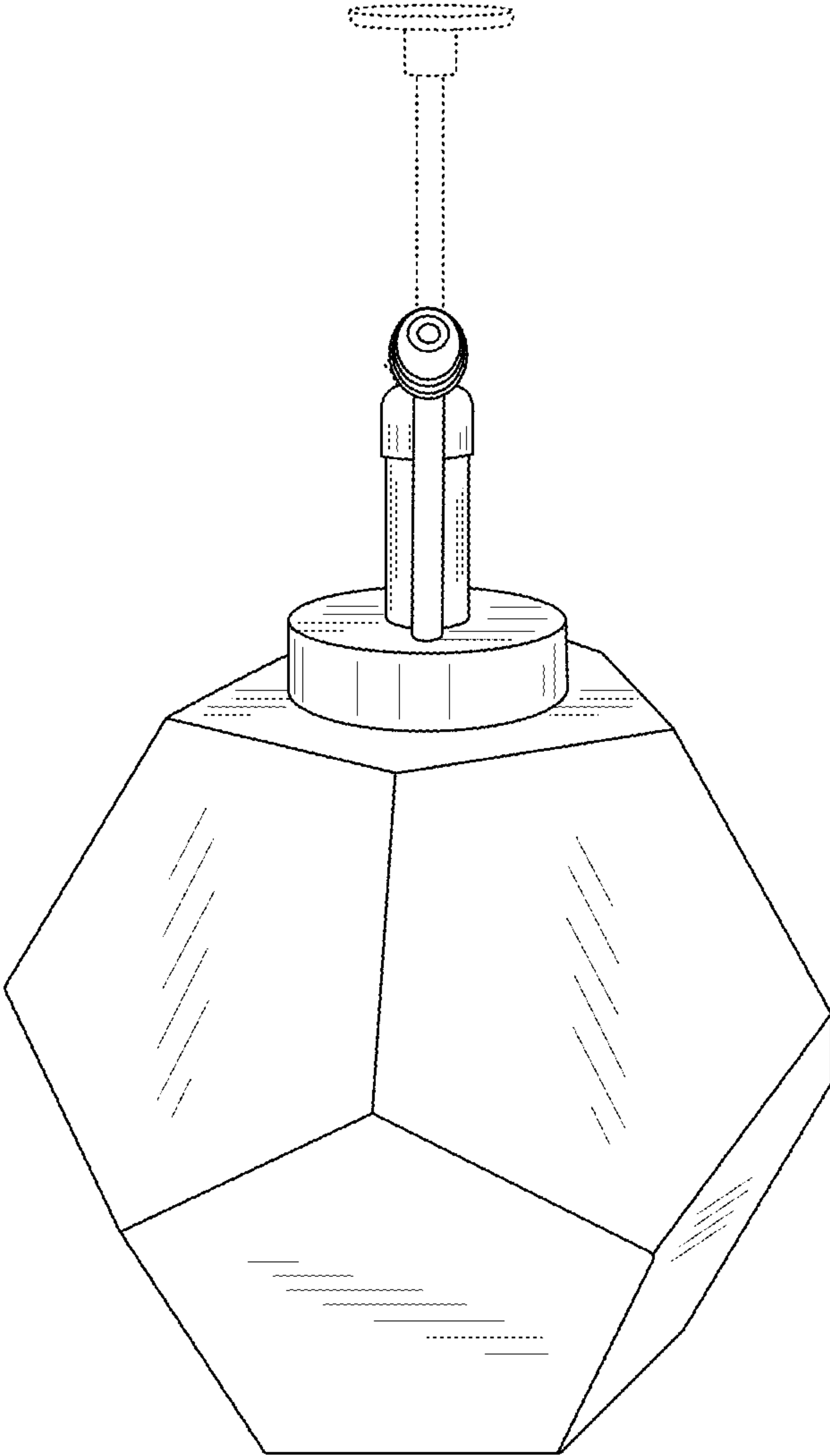


FIG. 1

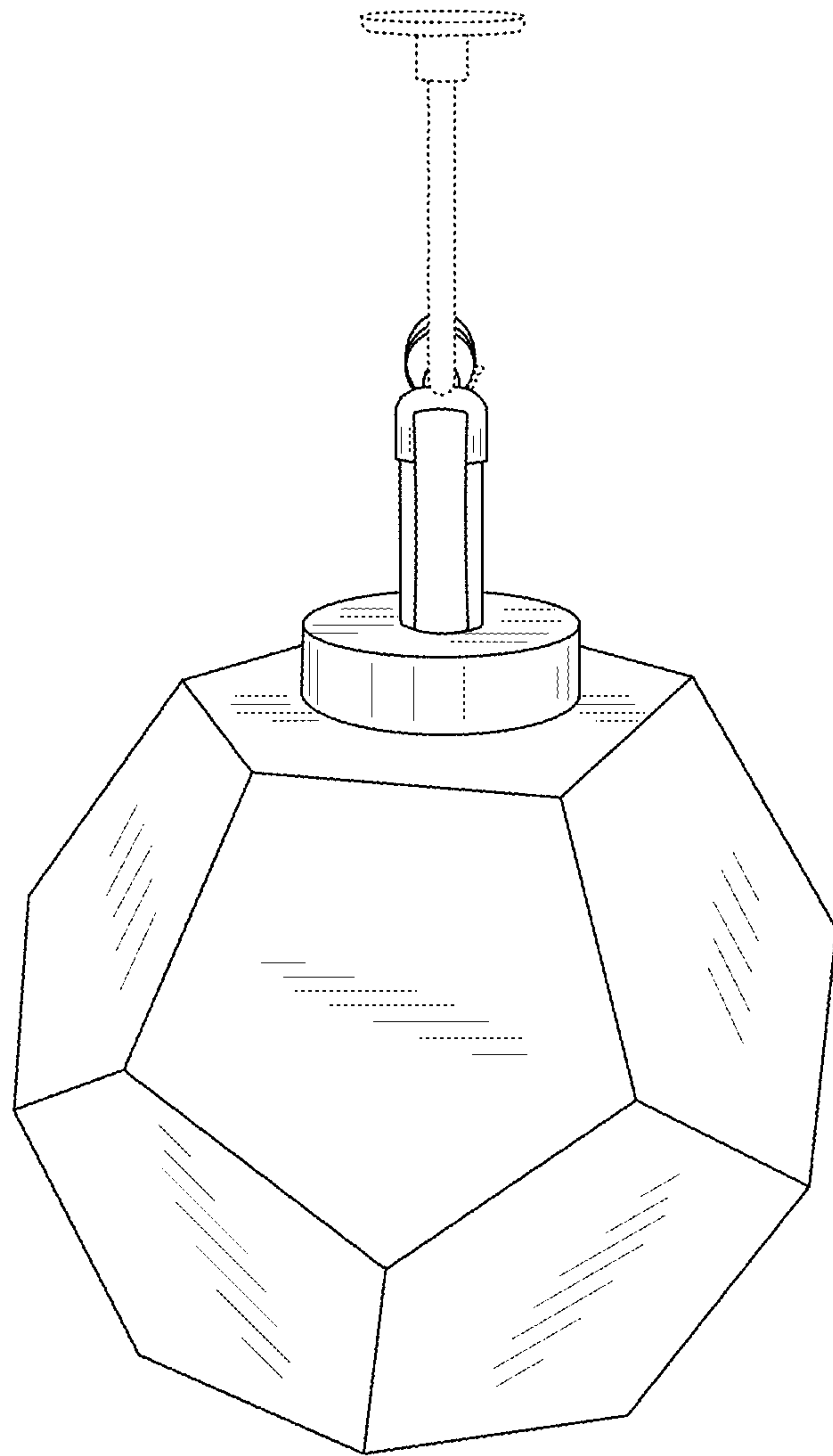


FIG. 2

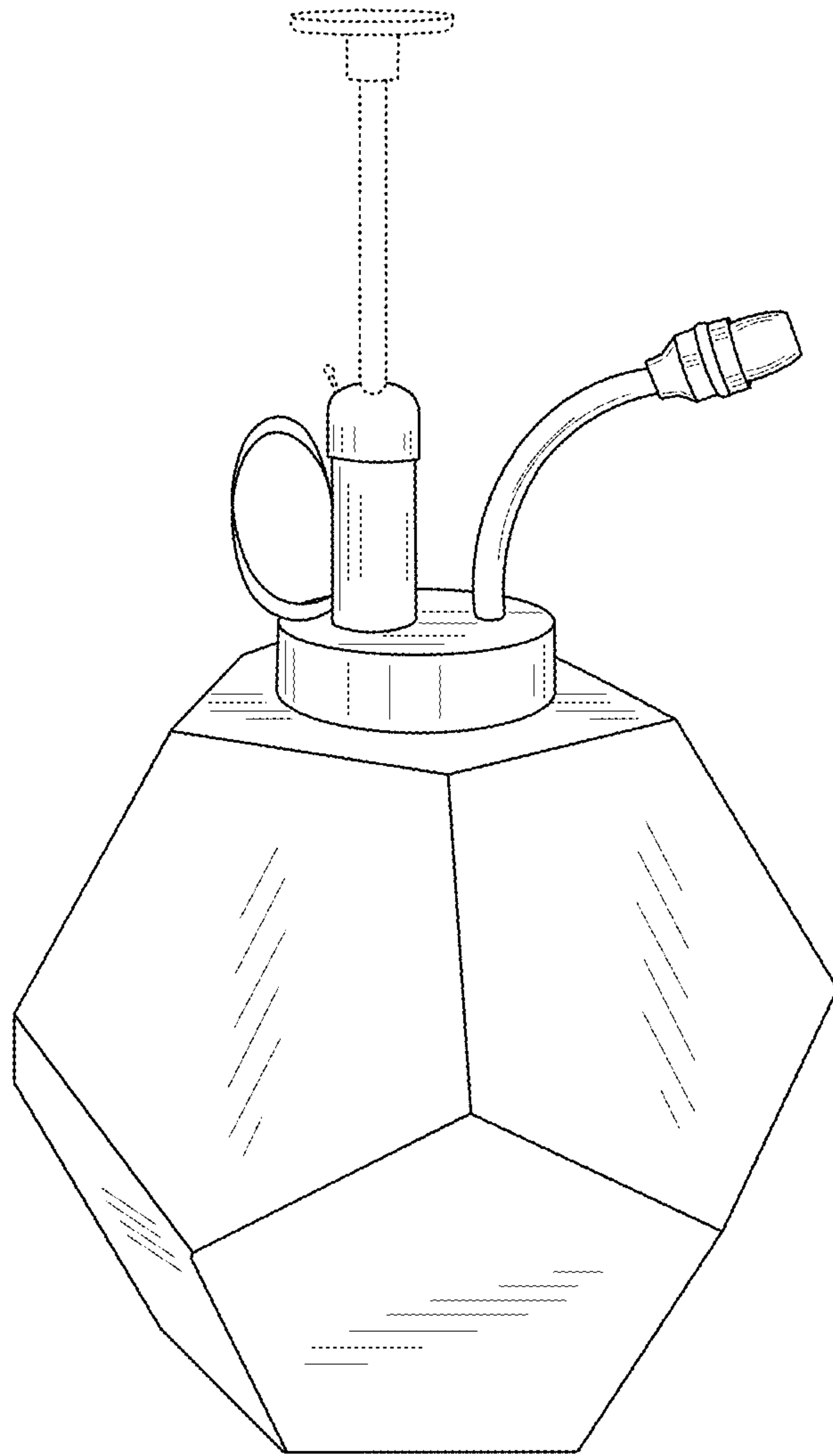


FIG. 3