

US00D971024S

(12) **United States Design Patent** (10) **Patent No.:** **US D971,024 S**
Okonma (45) **Date of Patent:** **** Nov. 29, 2022**

(54) **BOTTLE CAP**
(71) Applicant: **Flower Boy Trademarks, LLC**, Culver City, CA (US)
(72) Inventor: **Tyler Okonma**, Culver City, CA (US)
(73) Assignee: **Flower Boy Trademarks, LLC**, Culver City, CA (US)

D303,213 S * 9/1989 Mansau D9/544
D310,030 S * 8/1990 Mansau D9/439
D318,232 S * 7/1991 Mansau D9/439
D337,266 S * 7/1993 Martine D9/451
D423,312 S * 4/2000 Hames D8/40
D427,074 S * 6/2000 Harkness D9/520
D445,322 S * 7/2001 Hames D8/40

(Continued)

(**) Term: **15 Years**
(21) Appl. No.: **29/776,929**
(22) Filed: **Apr. 1, 2021**

(51) **LOC (13) Cl.** **09-07**
(52) **U.S. Cl.**
USPC **D9/661**; D9/435; D9/451
(58) **Field of Classification Search**
USPC D9/434-436, 439, 441, 447, 451, 499,
D9/600, 601, 655, 661, 662, 443, 449;
D11/157, 158; D7/392.1, 396.2, 599,
D7/604; D3/270, 271.1, 271.8; D28/4,
D28/6, 79, 87
CPC B65D 67/00; B65D 81/36; B65D 81/365;
B65D 81/366; B65D 81/368; B65D
41/00; B65D 41/02; B65D 51/245; A63H
33/16
See application file for complete search history.

OTHER PUBLICATIONS

Youtube. Golf Le Fleur "French Waltz" Fragrance. Published Dec. 15, 2021 by "Addictive News". Visited Jul. 25, 2022. <https://www.youtube.com/watch?v=CqP7TUHcATI> (Year: 2021).*

(Continued)

Primary Examiner — Darcey E Gottschalk
Assistant Examiner — Vanessa M. Pursley
(74) *Attorney, Agent, or Firm* — Fross Zelnick Lehrman & Zissu, P.C.; Lawrence E. Apolzon, Esq.

(57) **CLAIM**

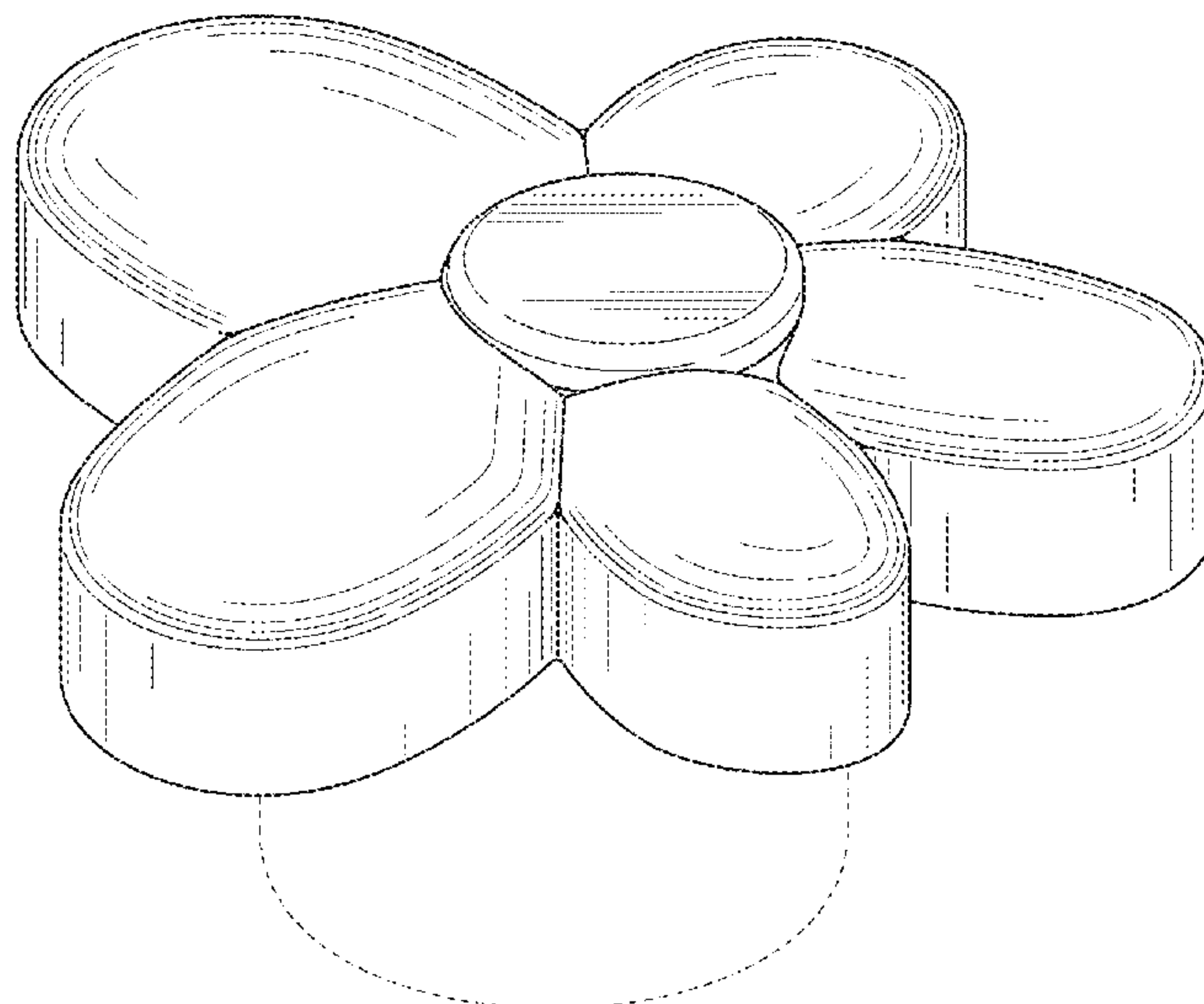
The ornamental design for a bottle cap, as shown and described.

DESCRIPTION

FIG. 1 is a top perspective view of a bottle cap showing my new design with the neck of the cap disclaimed;
FIG. 2 is a front view thereof;
FIG. 3 is a back view thereof;
FIG. 4 is a left side view thereof;
FIG. 5 is right side view thereof;
FIG. 6 is a top view thereof;
FIG. 7 is a bottom view thereof;
FIG. 8 is another top perspective view thereof; and,
FIG. 9 is a top perspective view therefore in the environment of a bottle.
In FIGS. 1-8, the broken lines show portions of a bottle cap that form no part of the claim; In FIG. 9, the broken lines depict a bottle that forms no part thereof.

(56) **References Cited**
U.S. PATENT DOCUMENTS
D16,992 S * 11/1886 Wirz D9/441
D24,577 S * 8/1895 Gault D9/441
D128,366 S * 7/1941 Derham D9/451
D130,837 S * 12/1941 Grunberg D9/441
D149,065 S * 3/1948 Herbst D9/441
D171,887 S * 4/1954 Goldschmidt D7/672
3,481,463 A * 12/1969 Pavlow B65D 67/00
428/33
D224,657 S * 8/1972 Fisher D20/43
D271,817 S * 12/1983 Collin D32/40
D277,160 S * 1/1985 Antone 81/3.4

1 Claim, 7 Drawing Sheets



(56)

References Cited

U.S. PATENT DOCUMENTS

D470,194 S *	2/2003	Manville	D21/496
D499,334 S *	12/2004	Murray, Jr.	D9/673
D506,673 S *	6/2005	Grant	D9/451
D508,403 S *	8/2005	Grant	D9/451
D537,358 S *	2/2007	Donegan	D9/661
D548,076 S *	8/2007	Matsumura	D9/435
D595,591 S *	7/2009	Andiano	D9/546
D637,087 S *	5/2011	Eisenberger	D9/661
D685,267 S *	7/2013	Stout	D24/224
D699,903 S *	2/2014	Singer	D4/124
D721,962 S *	2/2015	Skaggs	D9/451
D763,073 S *	8/2016	Romero Salido	D9/451
D793,025 S *	8/2017	Slusarczyk	D1/115
D838,168 S *	1/2019	Glanzer	D9/441
D884,474 S *	5/2020	Pinard	D9/452
D926,034 S *	7/2021	Bravman	D9/452

OTHER PUBLICATIONS

Twitter, “french waltz by le Fleur*”: Dec. 13”. Published Dec. 8, 2021 by “@tylerthecreator”. Visited Jul. 25, 2022. <https://twitter.com/tylerthecreator/status/1468629630756081667/photo/1> (Year: 2021).*

Kohl’s. Dolce&Gabbana Dolce Garden. Publication date unavailable. Visited Jul. 25, 2022. <https://www.kohls.com/product/prd-5084533/dolce-gabbana-dolce-garden.jsp?> (Year: 0).*

Made-in-China. Cosmetic Packaging Flower Lid Glass Perfume Bottle Personal Perfume Glass Bottle. Publication date unavailable. Visited Jul. 25, 2022. <https://m.made-in-china.com/product/Cosmetic-Packaging-Flower-Lid-Glass-Perfume-Bottle-Personal-Perfume-Glass-Bottle-1943345635.html> (Year: 0).*

Justia. Golf Le Fleur—Trademark Details. Published Apr. 3, 2018. Visited Jul. 25, 2022. <https://trademarks.justia.com/876/33/golf-le-87633723.html> (Year: 2018).*

Amazon. Marc Jacobs Daisy Love Eau de Toilette 1 oz. Review published Jul. 12, 2019 by “Anabelle R.” Visited Jul. 26, 2022. <https://www.amazon.com/Marc-Jacobs-Daisy-Toilette-Spray/dp/B07CBJMD5B> (Year: 2019).*

Amazon. Marc Jacobs Daisy by Marc Jacobs 1.7 oz. First available Jan. 17, 2011. Visited Jul. 26, 2022. <https://www.amazon.com/JACOBS-DAISY-Marc-Jacobs-DAISY-EDT/dp/B00GLP37CQ/> (Year: 2011).*

Trademark—Flower Boy Trademarks, LLC—U.S. Registration No. 5496162,—published at least one year earlier than Apr. 1, 2021.

Trademark—Flower Boy Trademarks, LLC—U.S. Appl. No. 87/346,269 (now abandoned),—published at least one year earlier than Apr. 1, 2021.

Flower Logos—Published at least one year earlier than Apr. 1, 2021.

Flower Boy Trademarks, LLC—Design U.S. Appl. No. 29/780,294, filed Apr. 23, 2021.

* cited by examiner

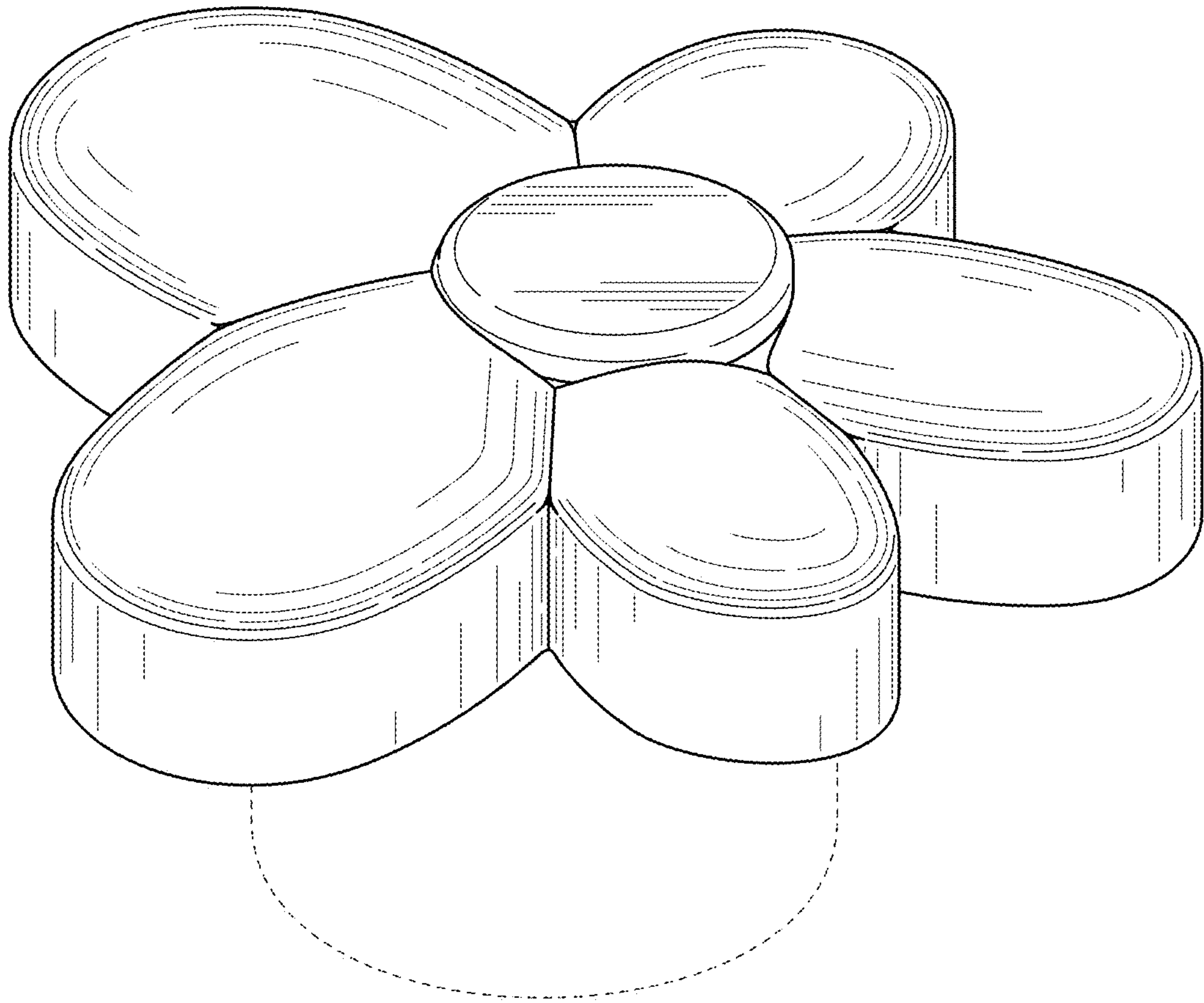


FIG. 1

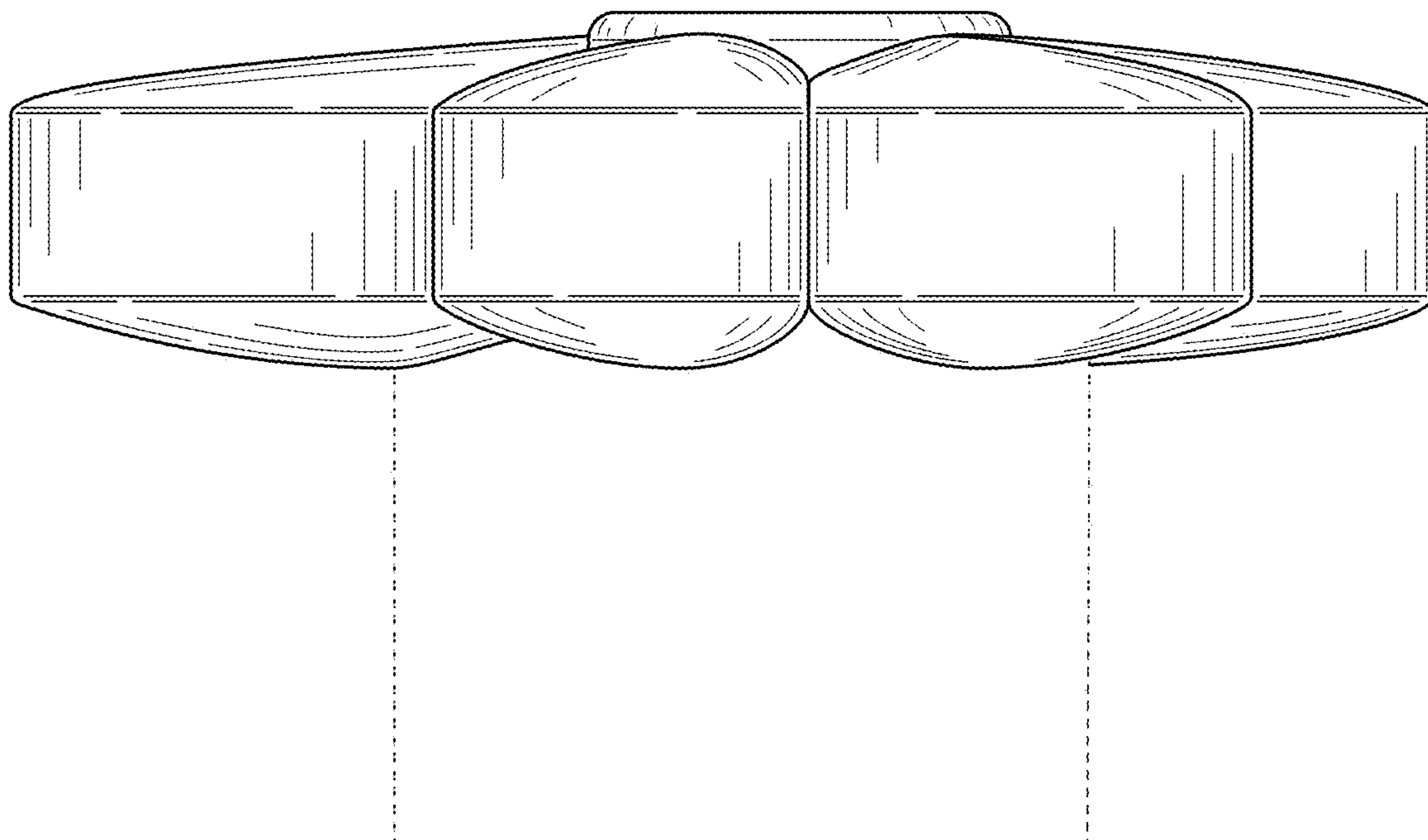


FIG. 2

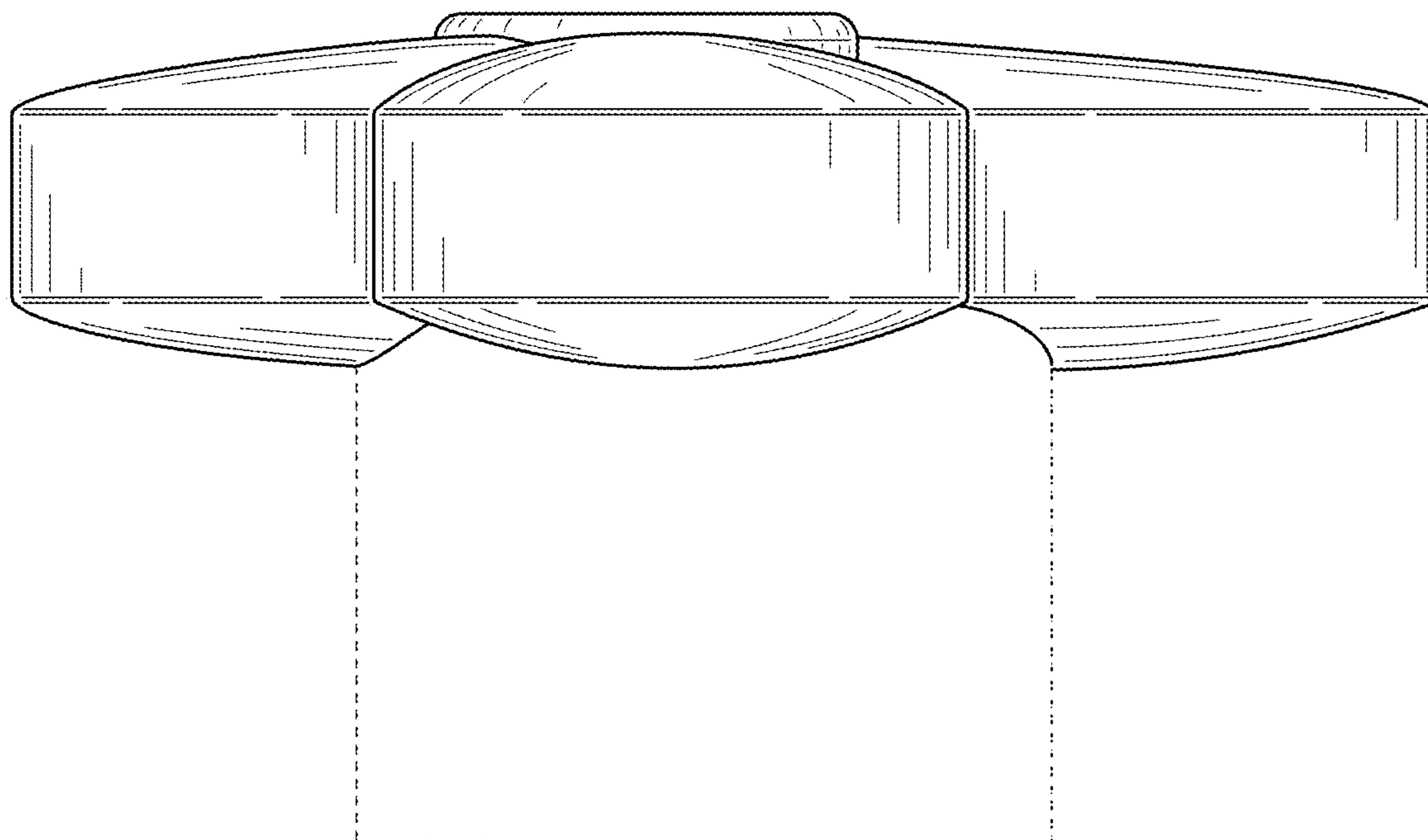


FIG. 3

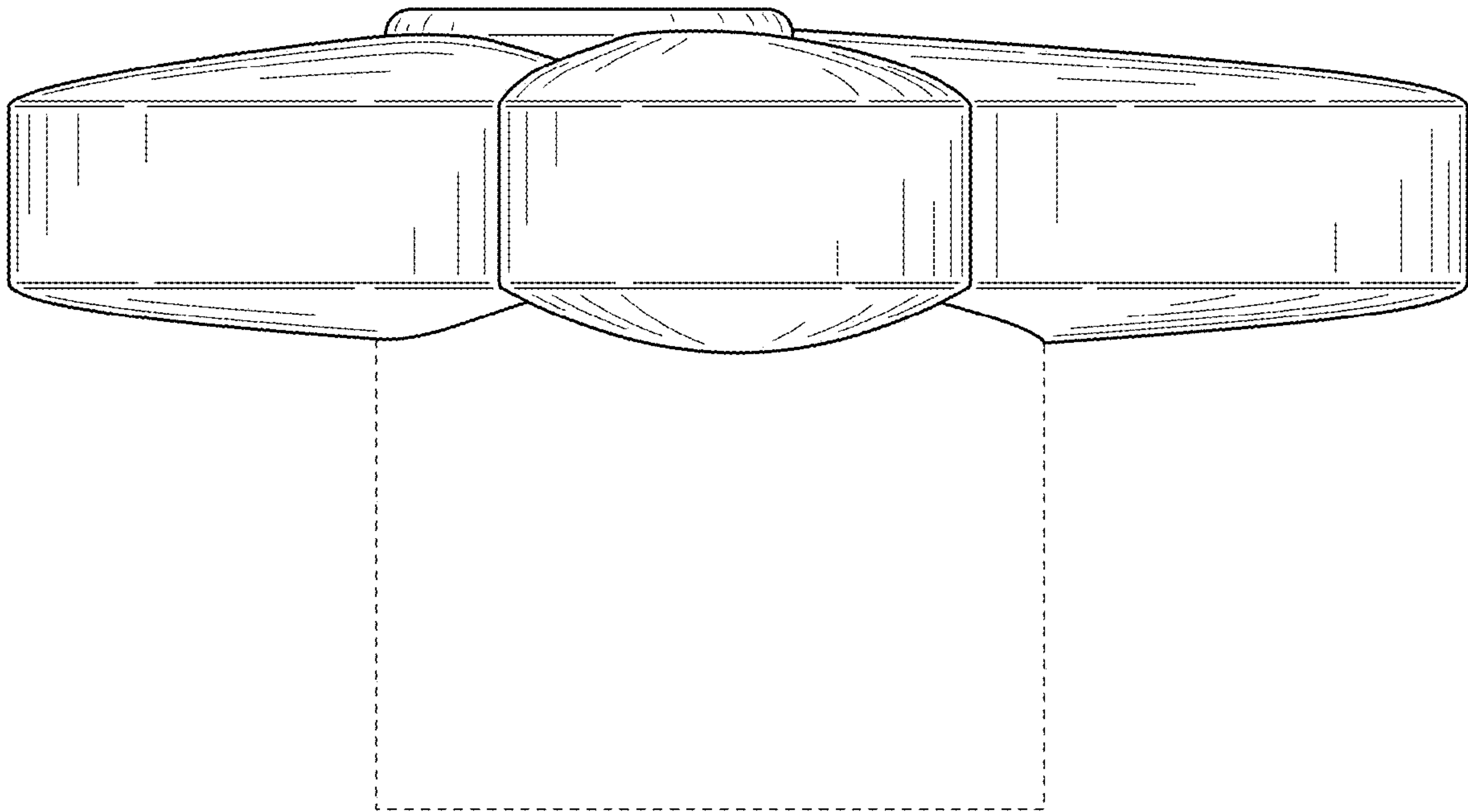


FIG. 4

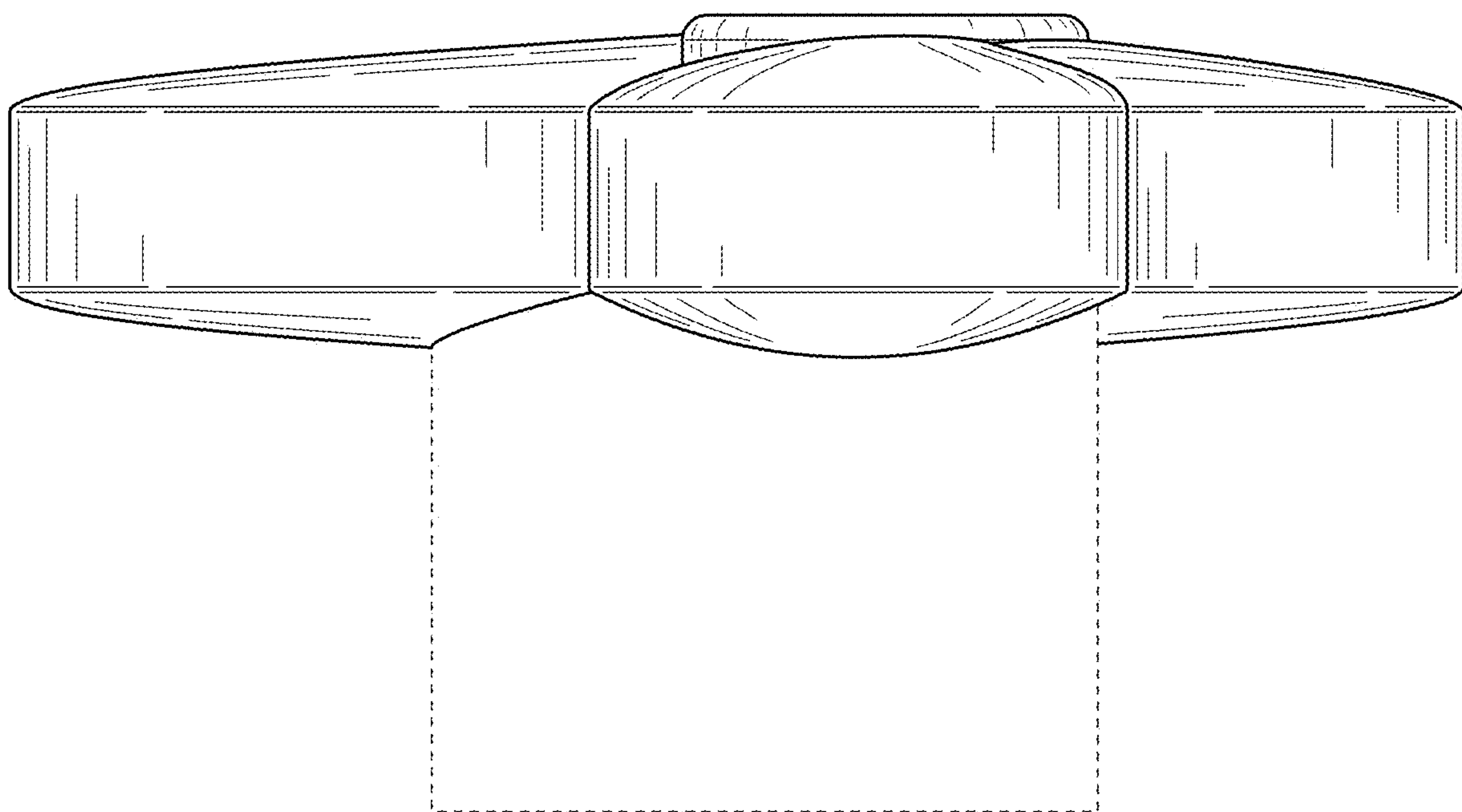


FIG. 5

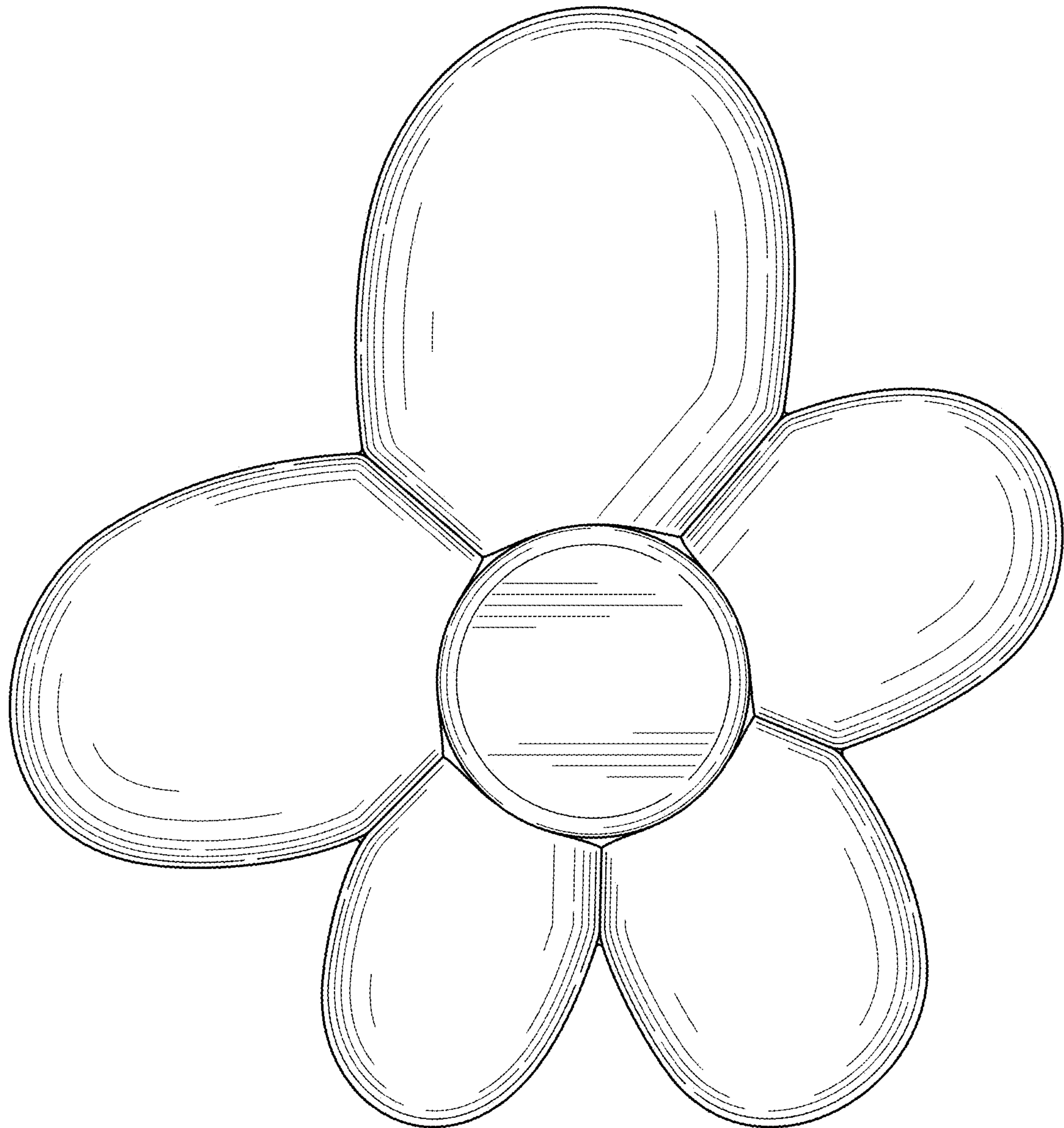


FIG. 6

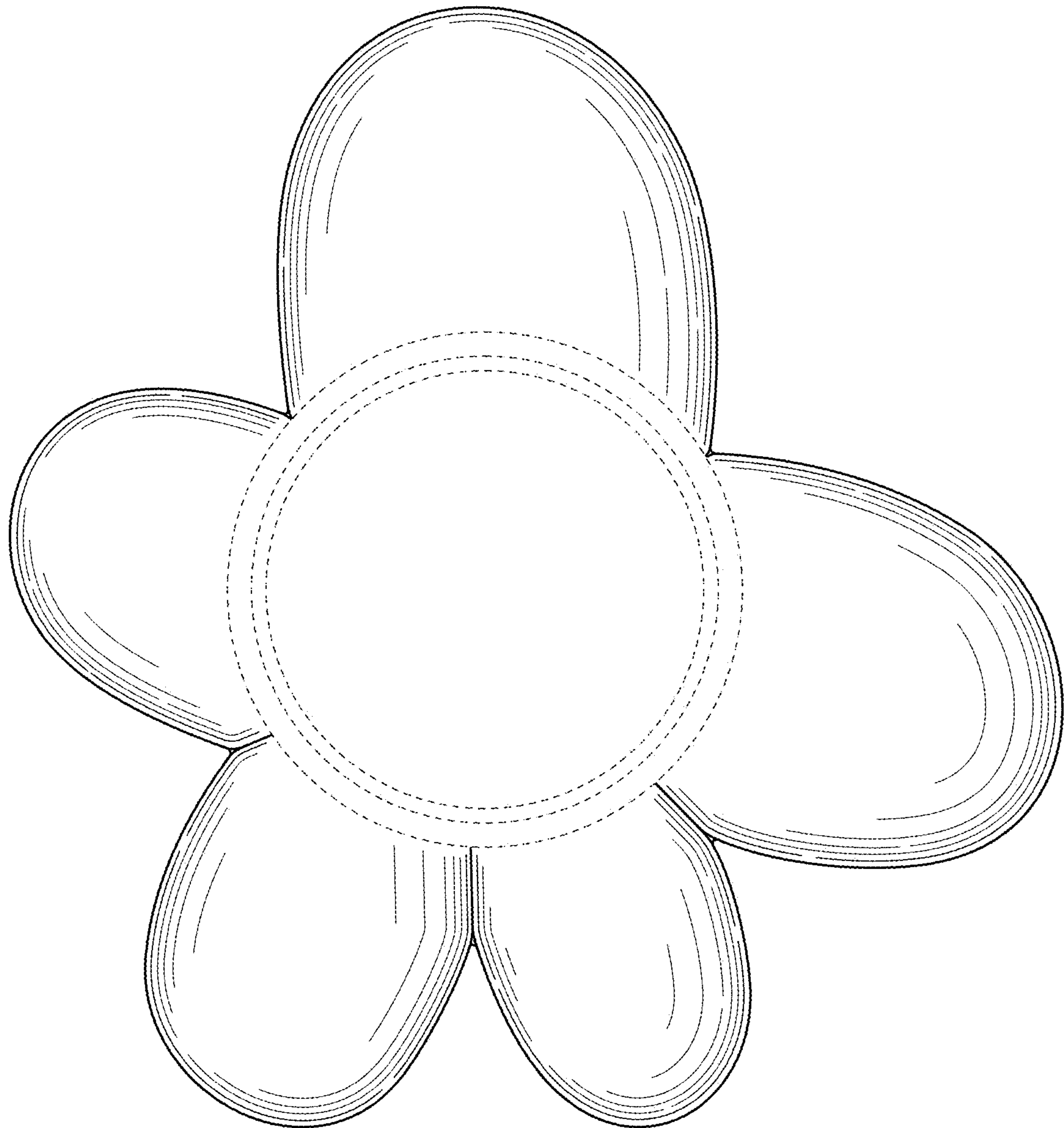


FIG. 7

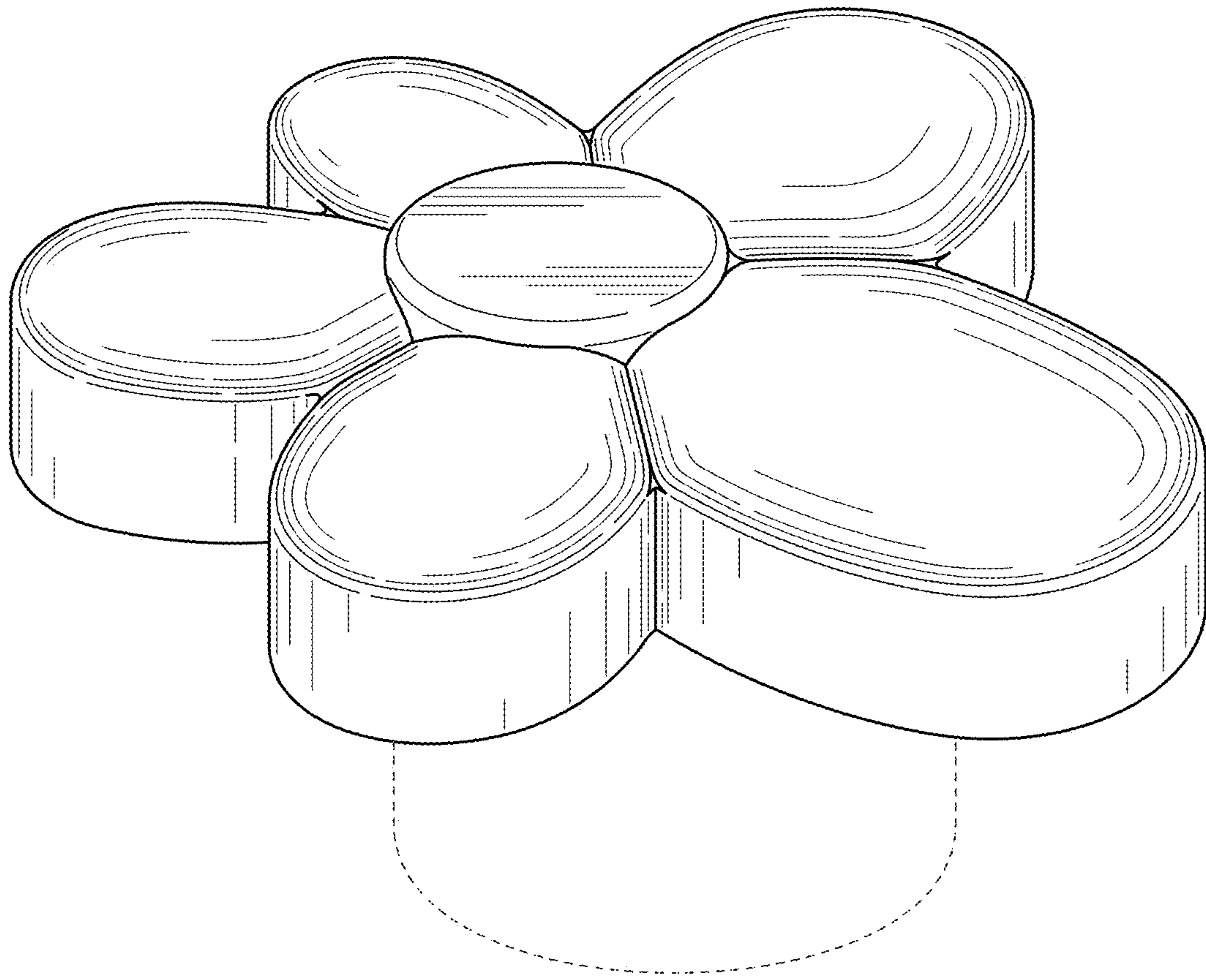


FIG. 8

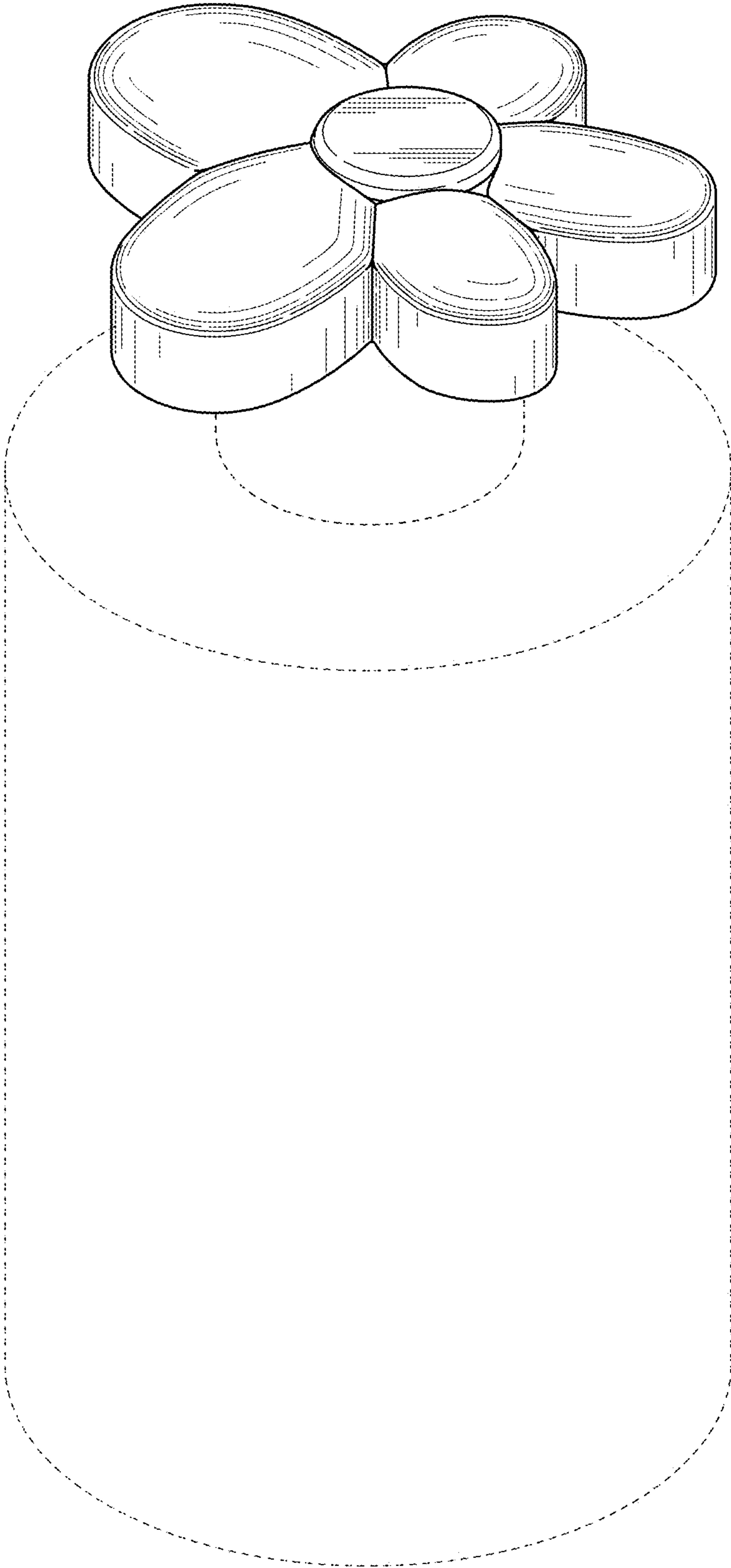


FIG. 9