



US00D971021S

(12) **United States Design Patent** (10) **Patent No.:** **US D971,021 S**
Kansburg et al. (45) **Date of Patent:** **** Nov. 29, 2022**

(54) **BOTTLE**

FOREIGN PATENT DOCUMENTS

(71) Applicant: **Bayer HealthCare LLC**, Whippany, NJ (US)

EM 000016522 4/2003
ES 10123911 9/1991

(Continued)

(72) Inventors: **Mark Kansburg**, Hewitt, NJ (US);
Graham Hufton, New York, NY (US)

OTHER PUBLICATIONS

(73) Assignee: **Bayer Healthcare LLC**, Whippany, NJ (US)

1.7 oz (50ml) Deluxe Triangle-Shaped Clear Glass Bottle (Heavy Base Bottom) by Scentsational Shoppe Online, published date N/A. Retrieved on Aug. 12, 2022 from URL:https://www.bulkperfumebottles.com/1.7-oz-50ml-bottles/1.7-oz-50ml-deluxe-triangle-shaped-clear-glass-bottle-heavy-base-bottom/?gclid=EAIALQobChMI-bjtwrbB.*

(Continued)

(**) Term: **15 Years**

(21) Appl. No.: **29/732,251**

Primary Examiner — Shannon W Morgan

(22) Filed: **Apr. 22, 2020**

Assistant Examiner — Royner Mendoza

(51) **LOC (13) Cl.** **09-01**

(74) *Attorney, Agent, or Firm* — Lowenstein Sandler LLP

(52) **U.S. Cl.**

(57) **CLAIM**

USPC **D9/561**; D24/110

The ornamental design for a bottle, as shown and described.

(58) **Field of Classification Search**

DESCRIPTION

USPC D9/434–435, 439, 447, 449, 450,
D9/452–454, 516, 524, 528–531,
D9/541–544, 549–551, 558–560, 563,
D9/565, 566, 571–575, 605, 611, 626,
D9/632, 645, 649, 682, 686, 687, 693,
D9/694, 715, 719, 523, 552, 561;
D24/110

CPC B65D 1/46; B65D 1/0223; B65D 21/0202;
B65D 21/0205; B65D 23/00; B65D
23/0864; B65D 23/102; B65D 71/508;
B65D 2501/0027; B65D 2501/0045;
B65D

(Continued)

FIG. 1 is a perspective view for a bottle showing our new design in accordance with a first embodiment of the invention;

FIG. 2 is a front elevation view thereof;

FIG. 3 is a rear elevation view thereof;

FIG. 4 is a left side elevation view thereof;

FIG. 5 is a right side elevation view thereof;

FIG. 6 is a top plan view thereof; and

FIG. 7 is a bottom plan view thereof.

FIG. 8 is a perspective view for a bottle showing our new design in accordance with a second embodiment of the invention;

FIG. 9 is a front elevation view thereof;

FIG. 10 is a rear elevation view thereof;

FIG. 11 is a left side elevation view thereof;

FIG. 12 is a right side elevation view thereof;

FIG. 13 is a top plan view thereof; and,

FIG. 14 is a bottom plan view thereof.

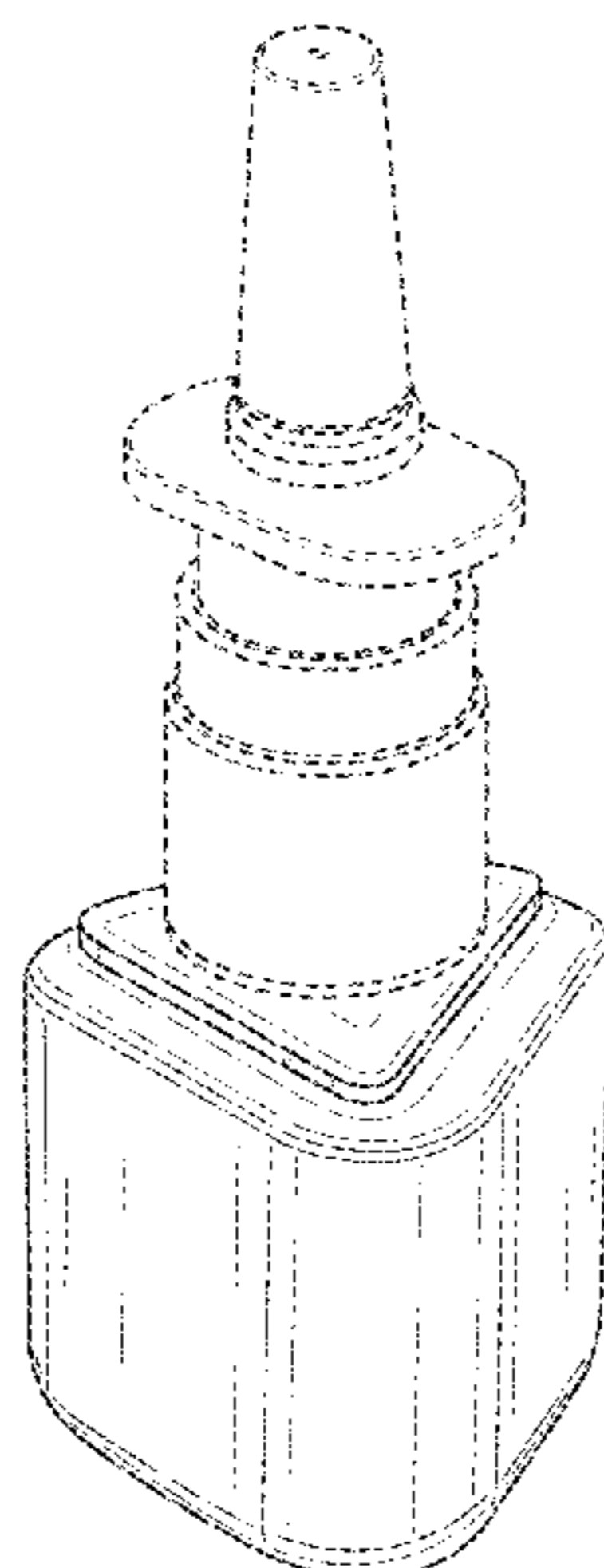
(Continued)

(56) **References Cited**

U.S. PATENT DOCUMENTS

D253,032 S * 10/1979 White D28/76
D347,066 S * 5/1994 Malcolm D24/197

(Continued)



Broken lines in the drawings illustrate portions for a bottle that form no part of the claimed design.

1 Claim, 8 Drawing Sheets

(58) **Field of Classification Search**

CPC 2501/0081; Y10T 428/13; Y10T 428/139; Y10T 428/1352; A61M 31/00; A61M 25/00; A61M 11/008; A61F 9/0008

See application file for complete search history.

(56)

References Cited

U.S. PATENT DOCUMENTS

D415,023	S	10/1999	Snyder	
D459,229	S	6/2002	Paul	
D463,976	S	10/2002	Sipinen et al.	
D468,646	S *	1/2003	Joubert	D9/561
D471,973	S *	3/2003	Gillissen	D24/110
D489,271	S *	5/2004	Soomar	D9/572
D526,211	S *	8/2006	Blasko	D9/561
D526,908	S *	8/2006	Blasko	D9/561
D527,277	S *	8/2006	Blasko	D9/561
D544,368	S *	6/2007	Blasko	D9/561
D558,057	S *	12/2007	De Baschmakoff	D9/454
D582,292	S *	12/2008	Short	D9/571
D594,345	S *	6/2009	Short	D9/571
D624,641	S *	9/2010	Boclet	D9/686
D627,657	S *	11/2010	Vogler	D9/520
D631,751	S	2/2011	Fox et al.	
D649,472	S *	11/2011	Bakalis	D9/544
D653,960	S *	2/2012	Fox	D9/566

D686,312	S *	7/2013	Allsop	D24/110
D695,130	S	12/2013	Revivo	
D712,750	S	9/2014	Glenn	
D718,149	S	11/2014	Glenn	
D756,227	S	5/2016	Goswell	
D776,545	S	1/2017	Wiggins	
D859,162	S *	9/2019	Patel	D9/575
D921,723	S *	6/2021	Smith	D13/184
D923,483	S *	6/2021	O'Donnell	D9/560
2002/0029501	A1 *	3/2002	Braun	G09F 3/0292 40/310
2006/0217658	A1 *	9/2006	Tsutsui	A61M 15/0038 604/275

FOREIGN PATENT DOCUMENTS

TW	RGN 109098-0001	*	11/2004
WO	DM/059649		11/2001
WO	DM/085574		2/2015

OTHER PUBLICATIONS

- <https://www.indiamart.com/proddetail/triangle-bottle-for-capsules-150cc-21419960155.html> (last visited Apr. 11, 2020).
- <https://www.exportersindia.com/samkinindustries/130-ml-triangle-tablet-jar-3185123.htm> (last visited Apr. 11, 2020).
- <https://www.indiamart.com/pragatipolymers/pharma-bottles.html> (last visited Apr. 11, 2020).
- <https://www.indiamart.com/proddetail/plastic-triangle-bottles-13434469573.html> (last visited Apr. 11, 2020).
- https://www.alibaba.com/product-detail/30ml-Plastic-E-Juice-Dropper-triangle_60668527885.html (last visited Apr. 11, 2020).

* cited by examiner

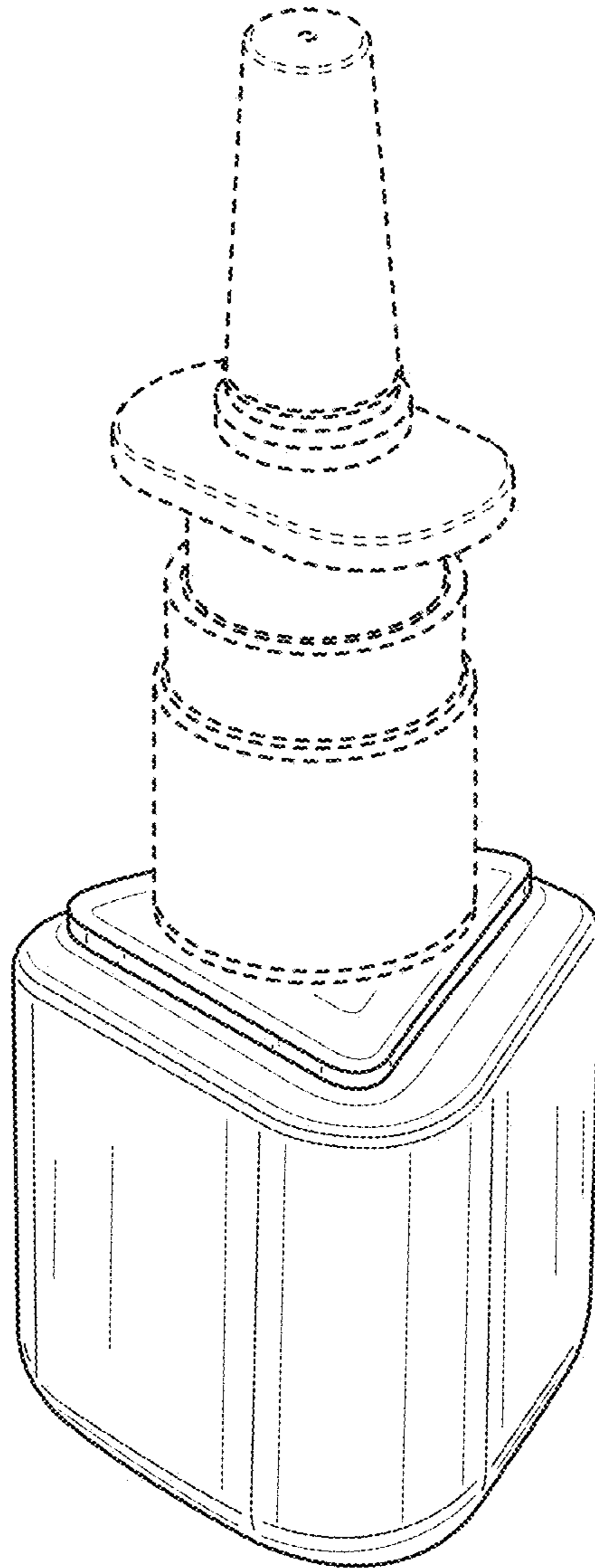


FIG. 1

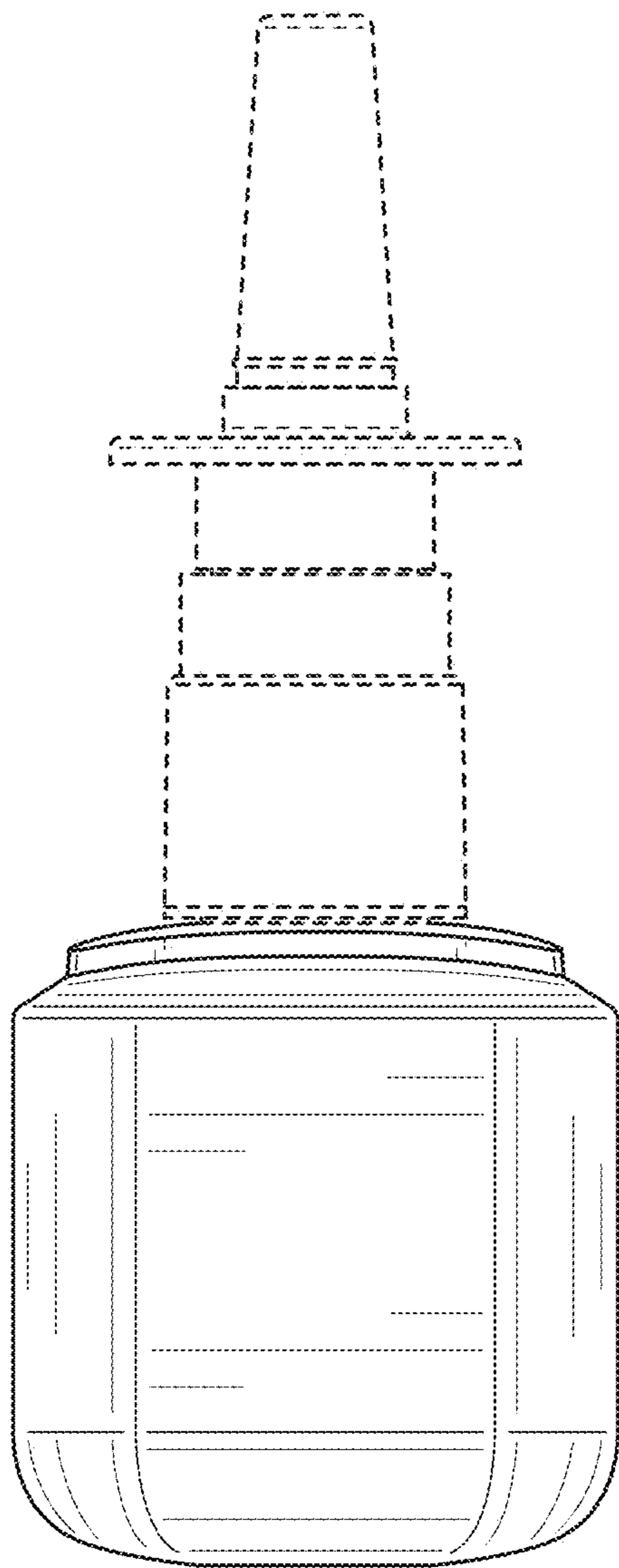


FIG. 2

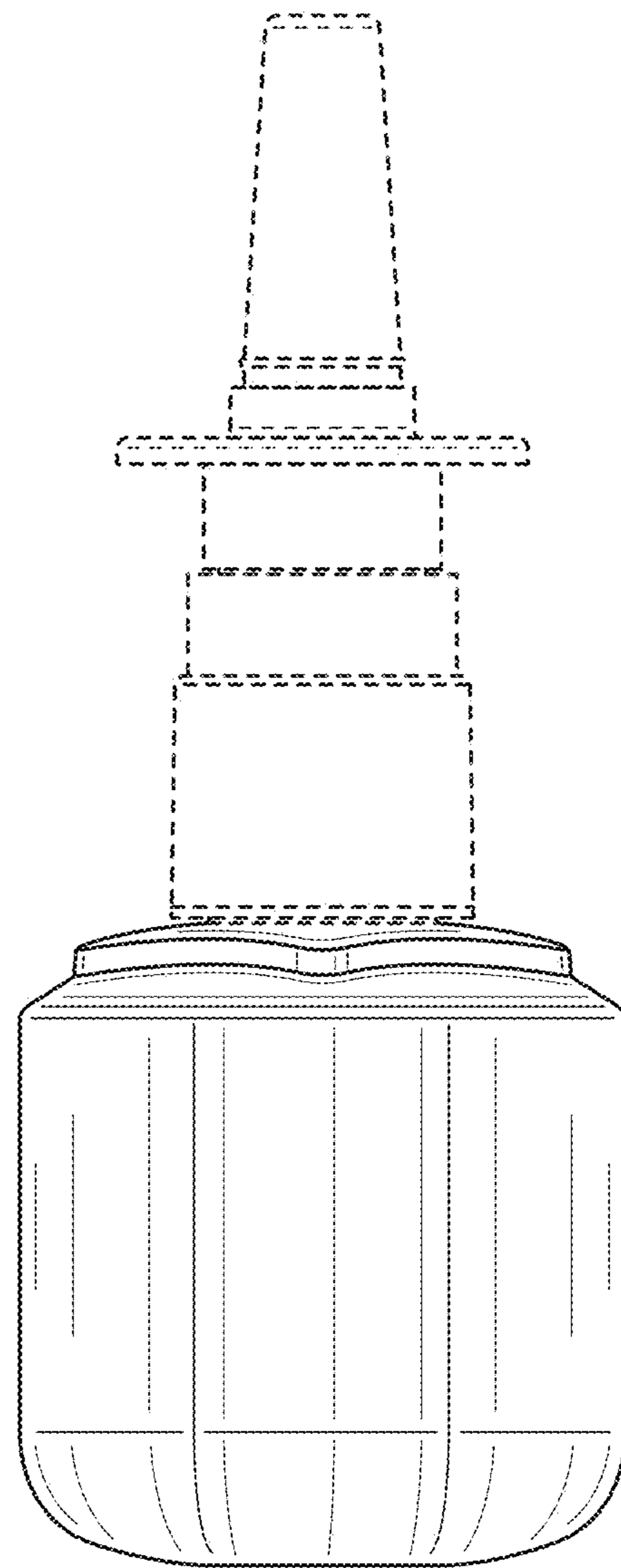


FIG. 3

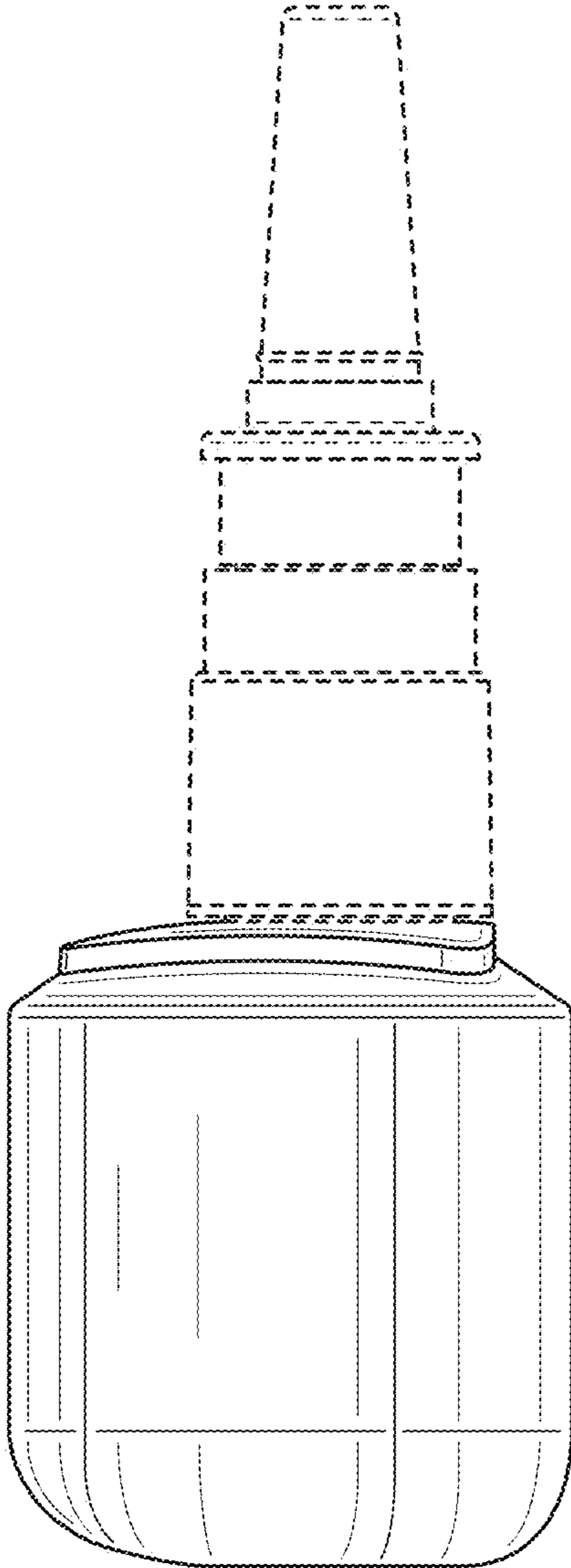


FIG. 4

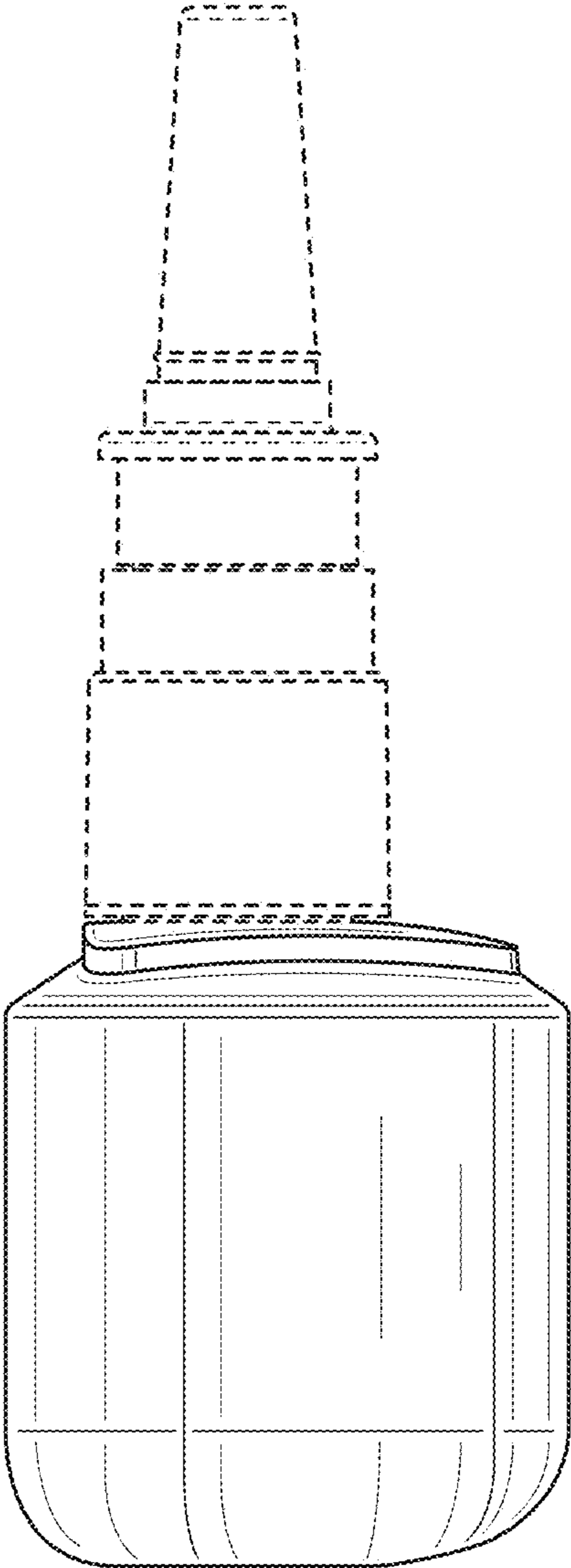


FIG. 5

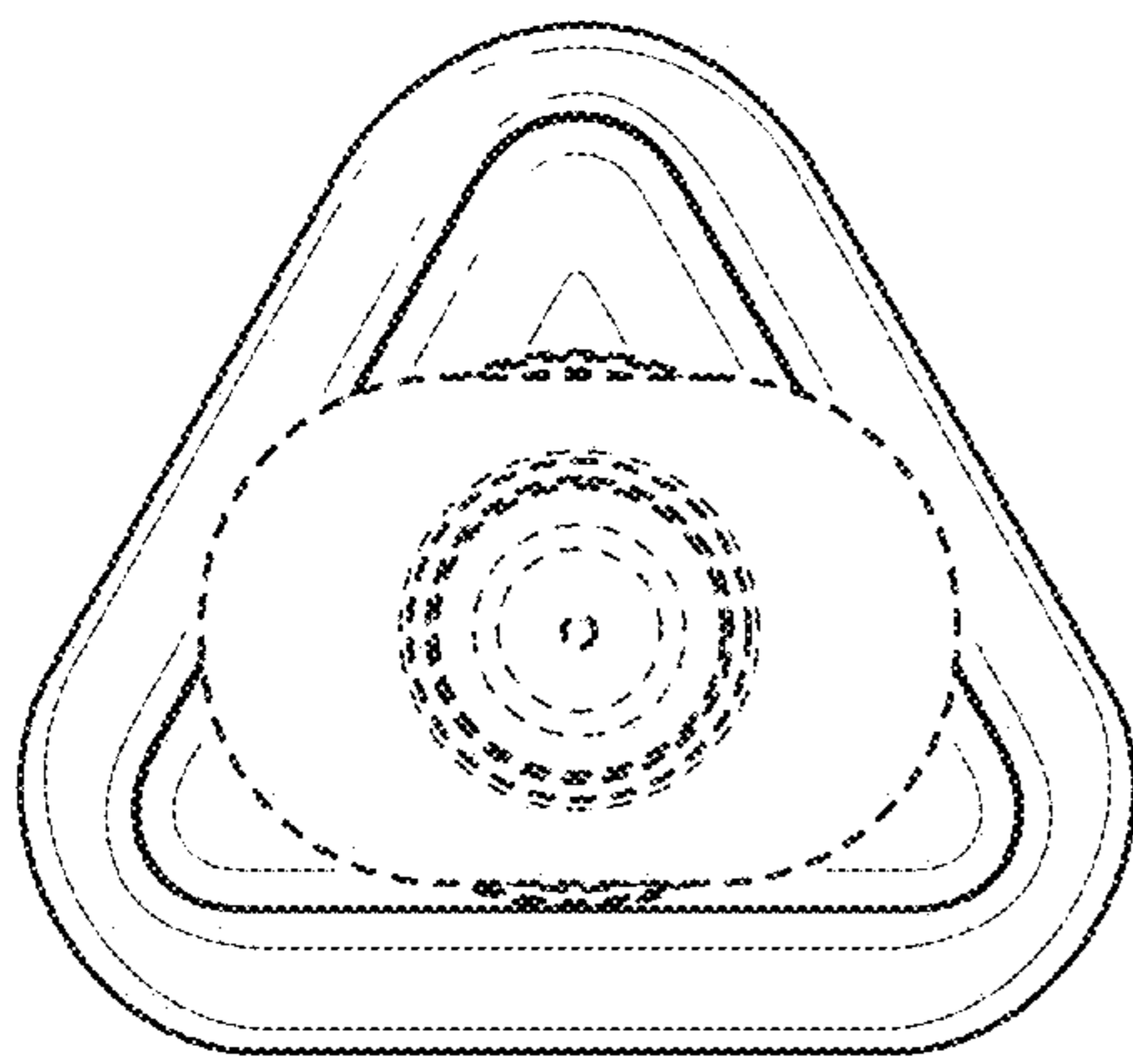


FIG. 6

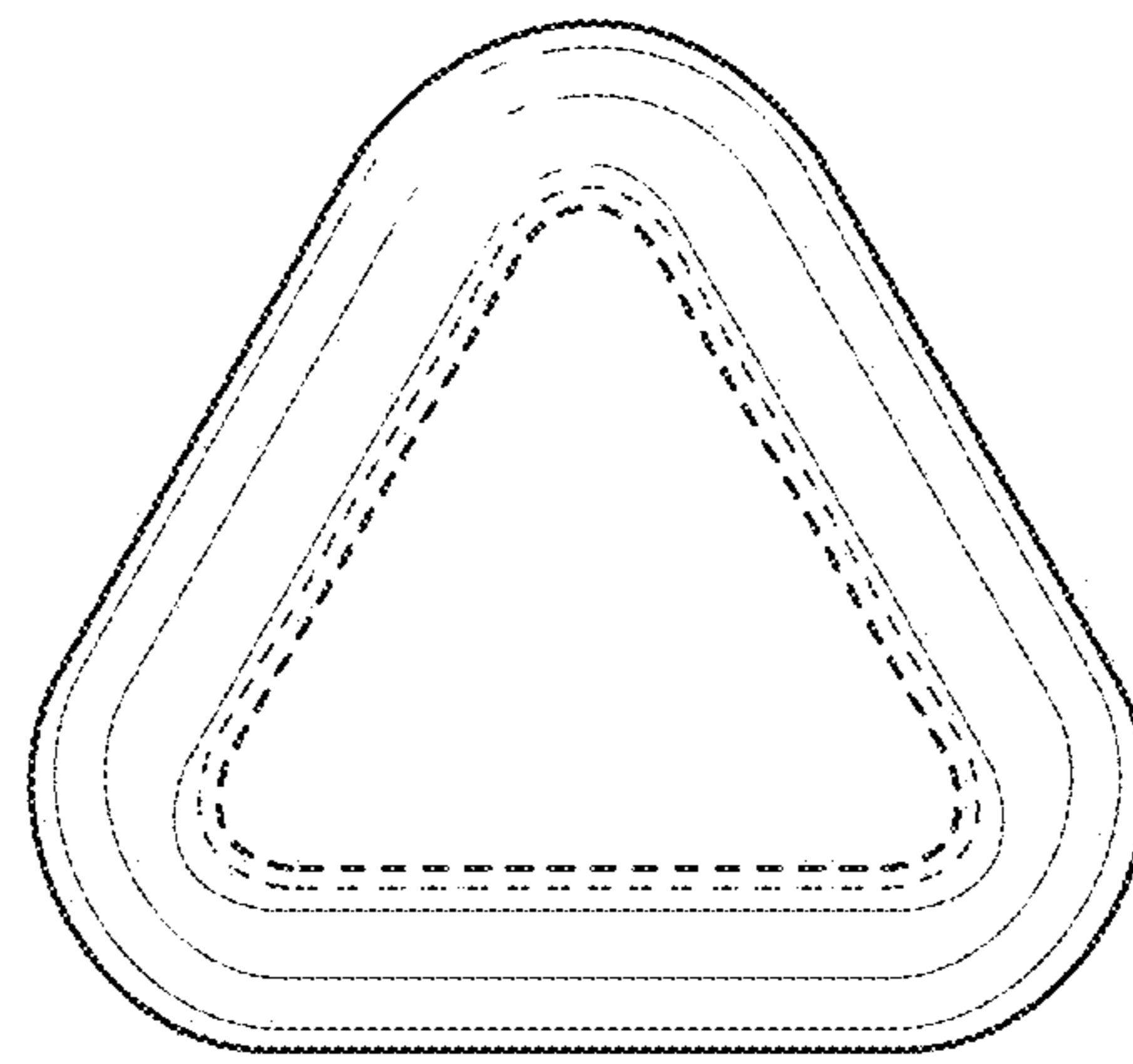


FIG. 7

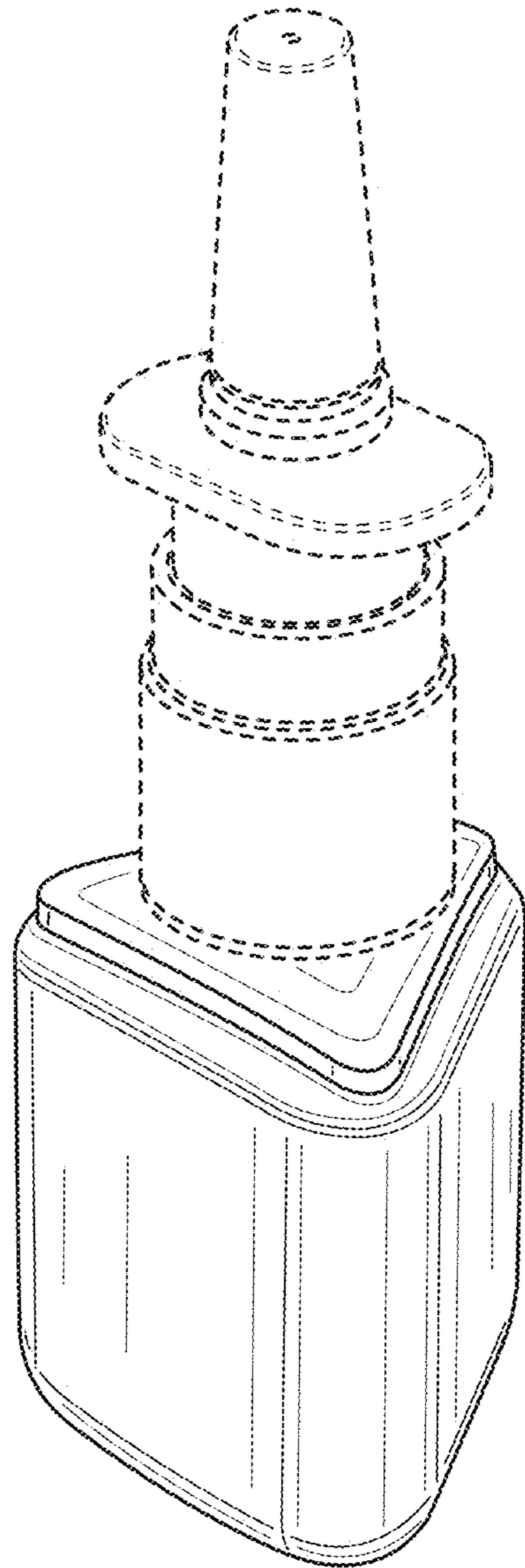


FIG. 8

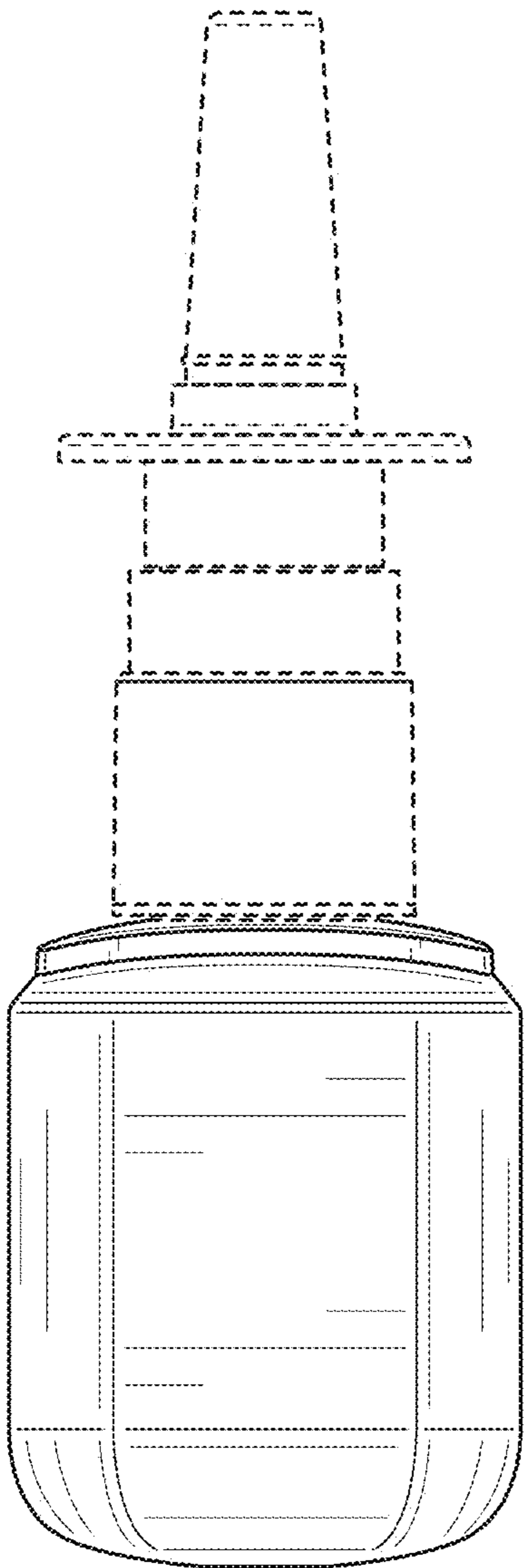


FIG. 9

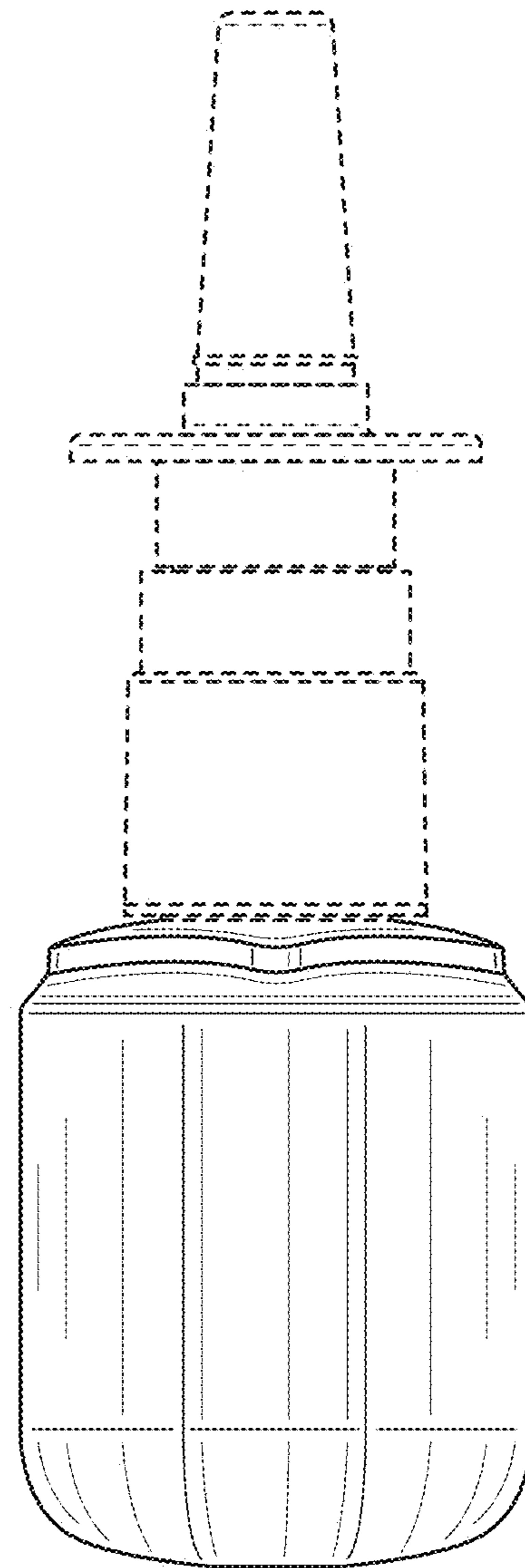


FIG. 10

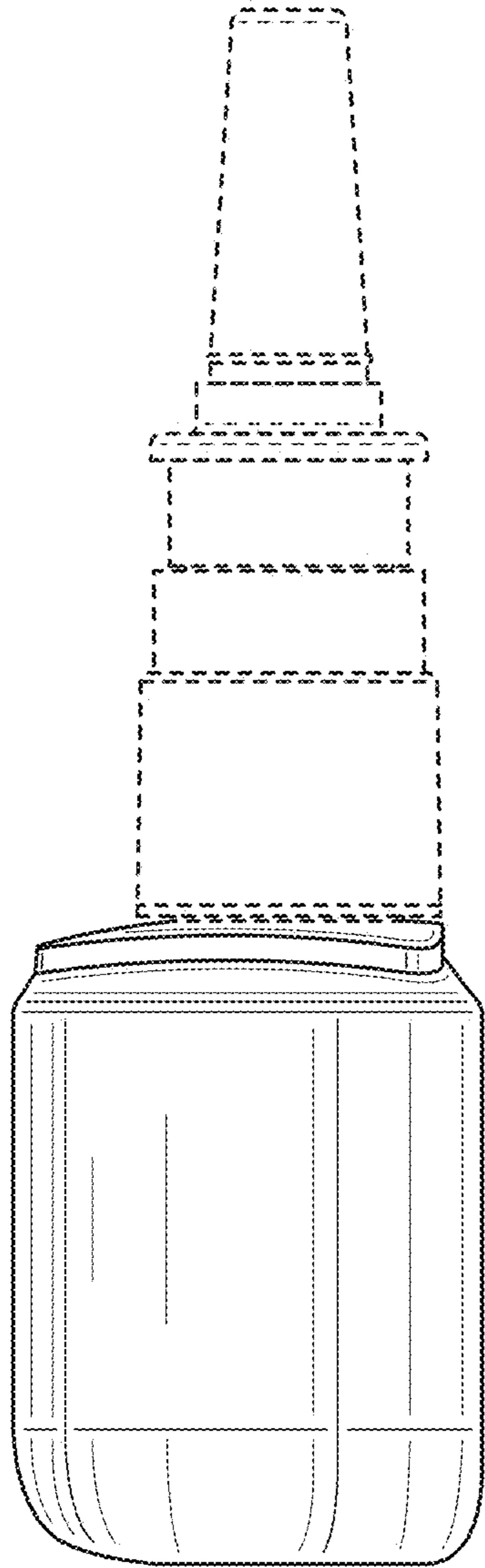


FIG. 11

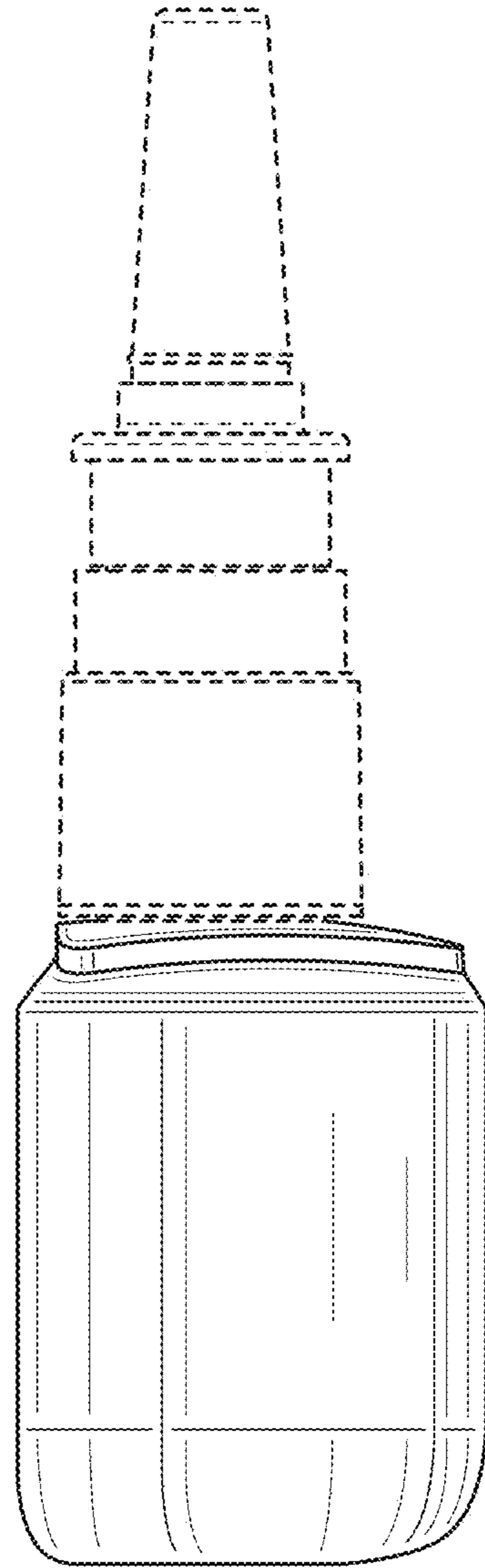


FIG. 12

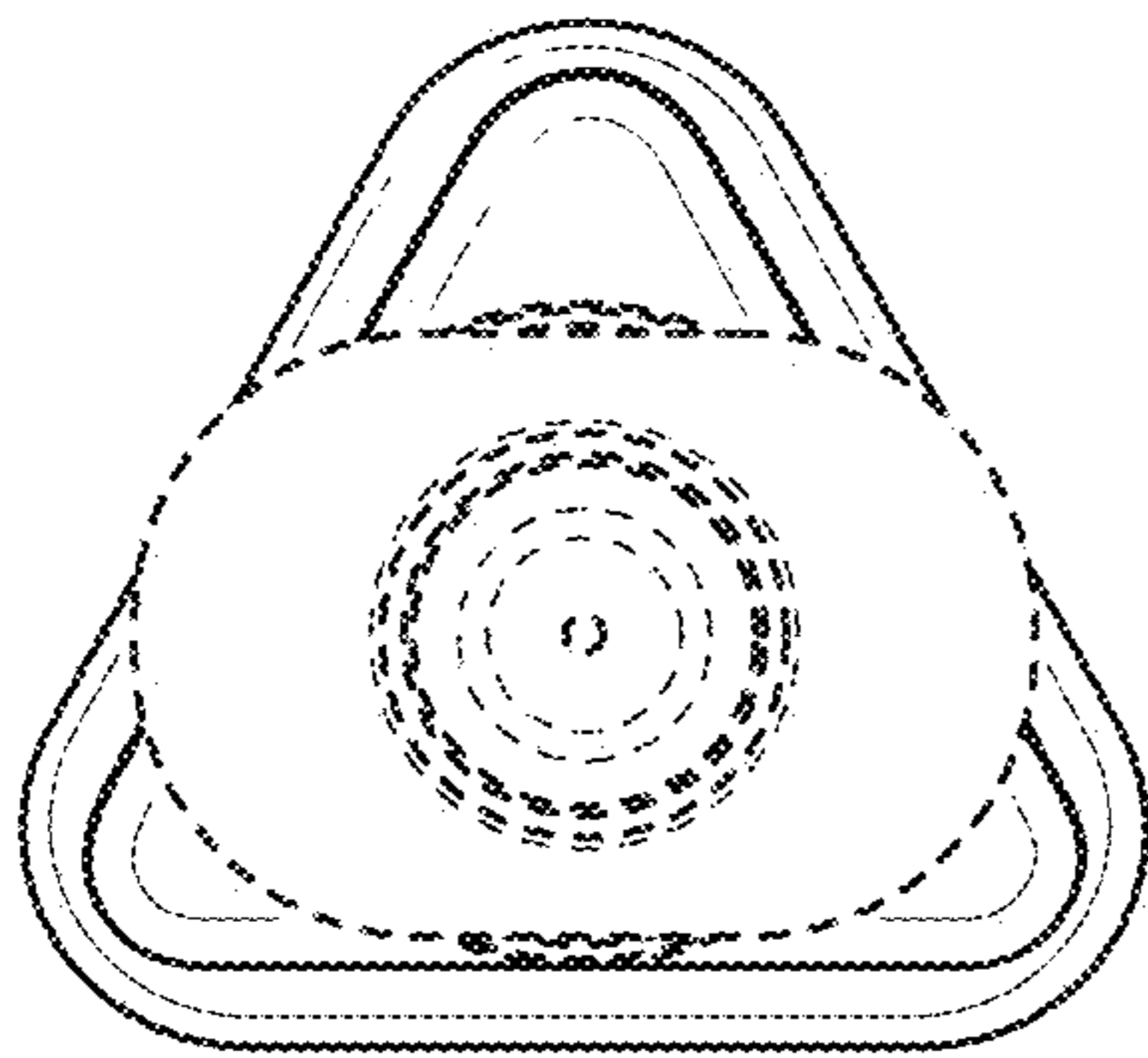


FIG. 13

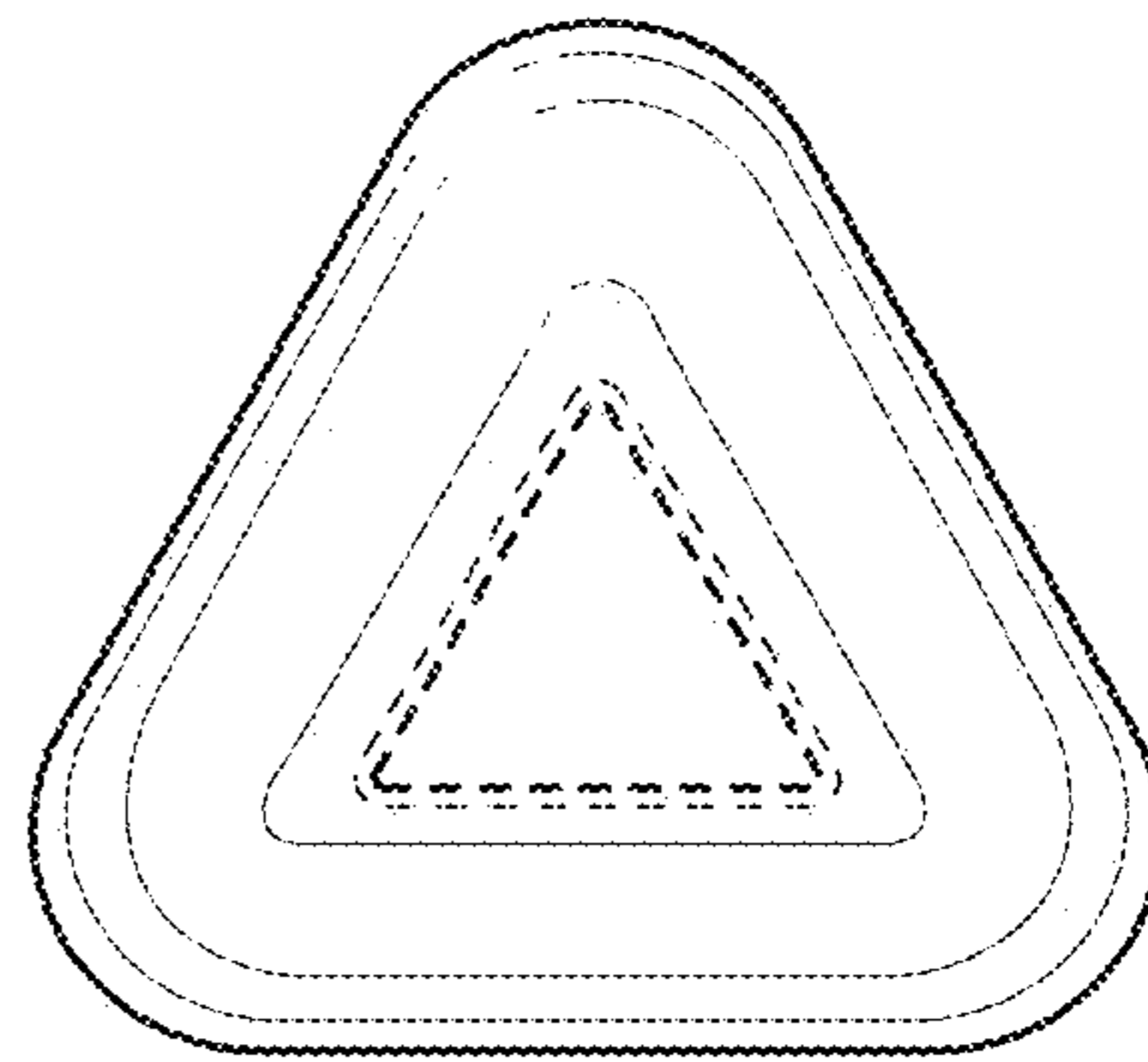


FIG. 14