



US00D971013S

(12) **United States Design Patent**
Rubinstein

(10) **Patent No.:** **US D971,013 S**

(45) **Date of Patent:** **** Nov. 29, 2022**

(54) **BEVERAGE POD**

(71) Applicant: **David Rubinstein**, Antwerp (BE)

(72) Inventor: **David Rubinstein**, Antwerp (BE)

(**) Term: **15 Years**

(21) Appl. No.: **29/756,246**

(22) Filed: **Oct. 27, 2020**

(30) **Foreign Application Priority Data**

Oct. 27, 2020 (EM) 008213649-0002

(51) **LOC (13) Cl.** **09-03**

(52) **U.S. Cl.**
USPC **D9/414**

(58) **Field of Classification Search**
USPC D9/414-418, 428, 503, 425, 429, 500,
D9/720, 434, 454; D7/400, 610;
D27/167

CPC B65D 43/02; B65D 85/8064; B65D
85/8043; A23F 5/36; A23F 5/262; A47J
31/4492

See application file for complete search history.

(56) **References Cited**

U.S. PATENT DOCUMENTS

- 7,444,925 B2 * 11/2008 Mahlich A47J 31/4492
99/289 P
- D710,156 S * 8/2014 Wagner D7/610
- D733,554 S * 7/2015 Rubinstein D9/416
- 9,072,402 B2 * 7/2015 Ryser B65D 85/8064
- D745,386 S * 12/2015 Covey D9/416
- D745,824 S * 12/2015 Ritter D9/416
- 9,260,239 B2 * 2/2016 Amrein A47J 31/407
- D751,385 S * 3/2016 Rapparini D9/500
- D761,121 S * 7/2016 Graham D9/720
- D770,088 S * 10/2016 Abadi D27/167
- D796,898 S * 9/2017 Robotti D7/400
- 9,751,666 B2 * 9/2017 Brannock B65D 43/02

(Continued)

Primary Examiner — Rhea Shields

(74) *Attorney, Agent, or Firm* — Leason Ellis LLP

(57) **CLAIM**

The ornamental design for a beverage pod, as shown and described.

DESCRIPTION

FIG. 1 is a bottom-side perspective view of a beverage pod according to my new design;

FIG. 2 is a front elevation view thereof, the rear, left and right sides being mirror images thereof; and,

FIG. 3 is a bottom plan view thereof.

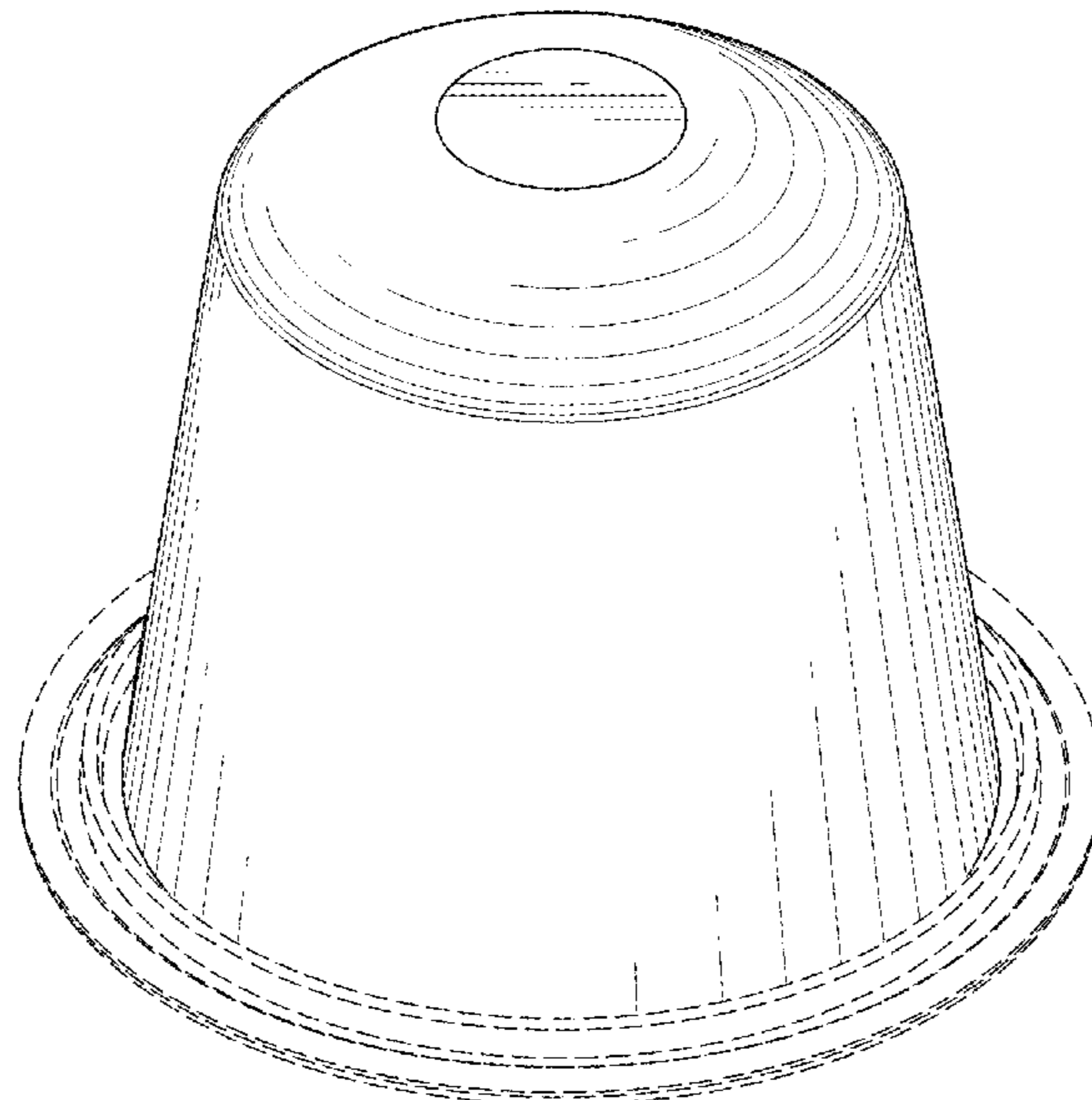
Conventional shading is illustrated for purposes of highlighting the line drawings, but forms no part of the claimed design.

In the drawings, the broken lines are for the purpose of illustrating portions of the beverage pod that form no part of the claimed design.

Any combination of the illustrated features, including claimed features and unclaimed features, may be claimed in this application or a continuing application claiming priority to this application by converting any portion of the broken lines to solid lines, any portion of the solid lines to broken lines, or both. For example, the bottom of the beverage pod is spherical (dome shaped) and includes a flat top, as shown, and Applicant reserves the right to pursue protection of only this spherical shaped bottom with the side wall and upper lip of the beverage pod being disclaimed and shown in broken lines.

My design is not limited to the exact details shown in the drawings, since equivalents and colorable imitations thereof will be evident to a person of ordinary skill in the art. Within the scope of the appended claim, in which I intend to cover only the ornamental and novel elements shown in the drawings, my invention may be practiced otherwise than as specifically shown and described herein.

1 Claim, 3 Drawing Sheets



(56)

References Cited

U.S. PATENT DOCUMENTS

D815,925 S * 4/2018 Rapparini D7/400
D823,051 S * 7/2018 Sharma D9/503
D874,264 S * 2/2020 Maurizio D9/429
D884,475 S * 5/2020 Rapparini D9/500
D886,582 S * 6/2020 Harif D9/425
D889,907 S * 7/2020 Braukmann D7/400
D920,097 S * 5/2021 Rapparini D9/428
D935,317 S * 11/2021 Oh D7/400
D953,108 S * 5/2022 Krüger D7/400
2015/0230493 A1 * 8/2015 Rodriguez Rodriguez
A23F 5/36
426/77
2015/0298897 A1 * 10/2015 Kay B65D 85/8043
426/115
2016/0362246 A1 * 12/2016 Garcin A23F 5/262
2021/0347556 A1 * 11/2021 Behrmann B65D 85/8064

* cited by examiner

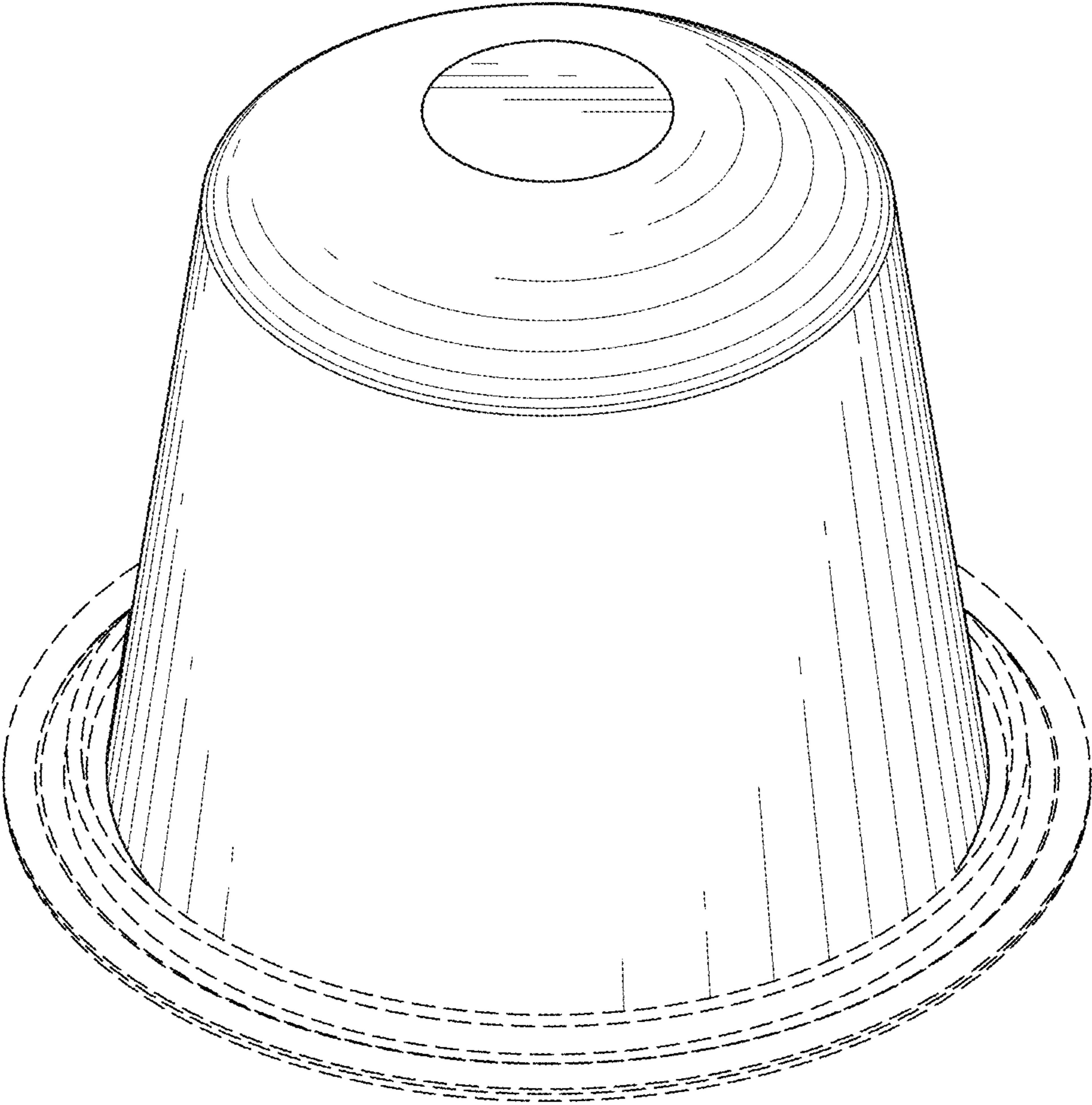


Fig. 1

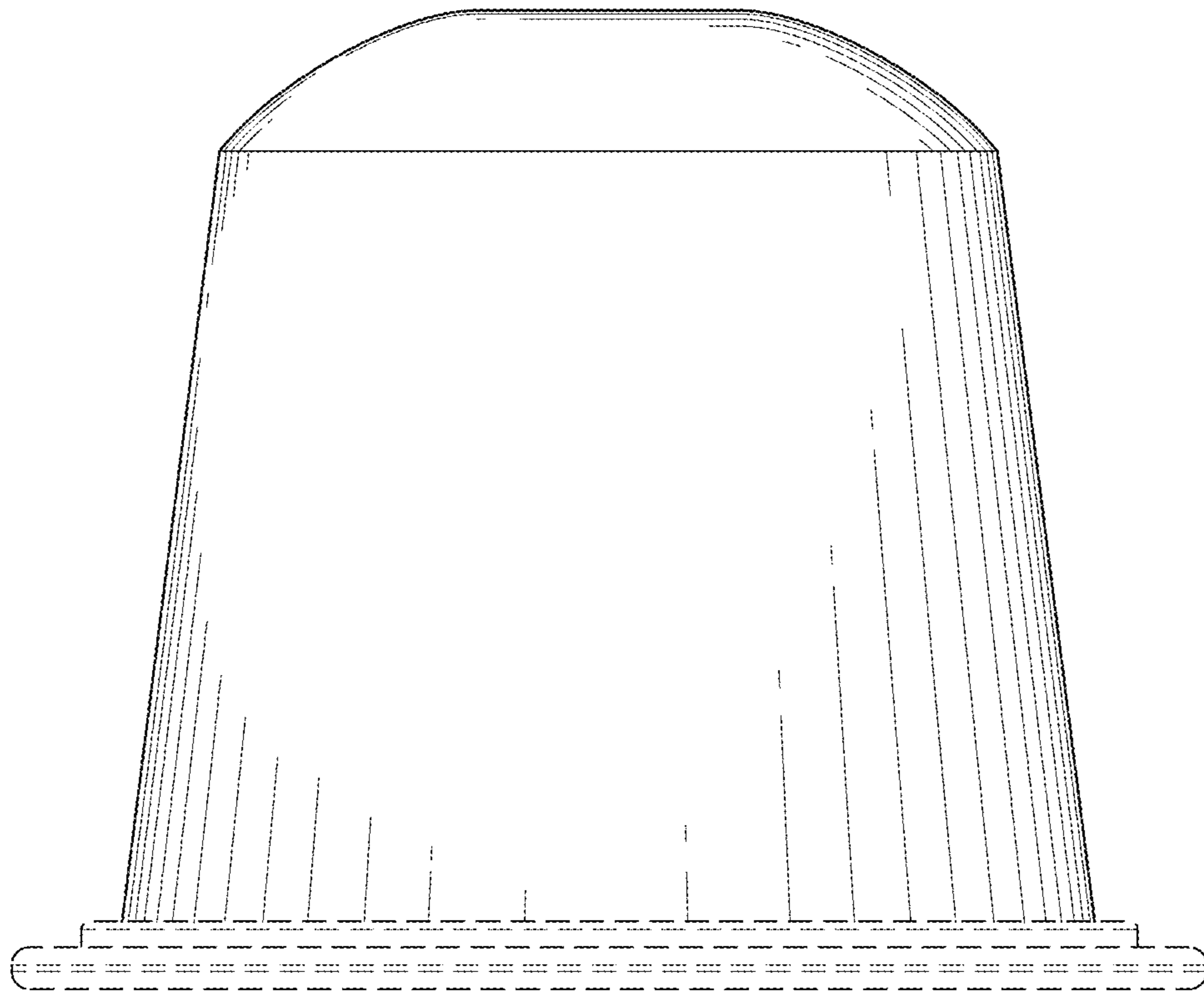


Fig. 2

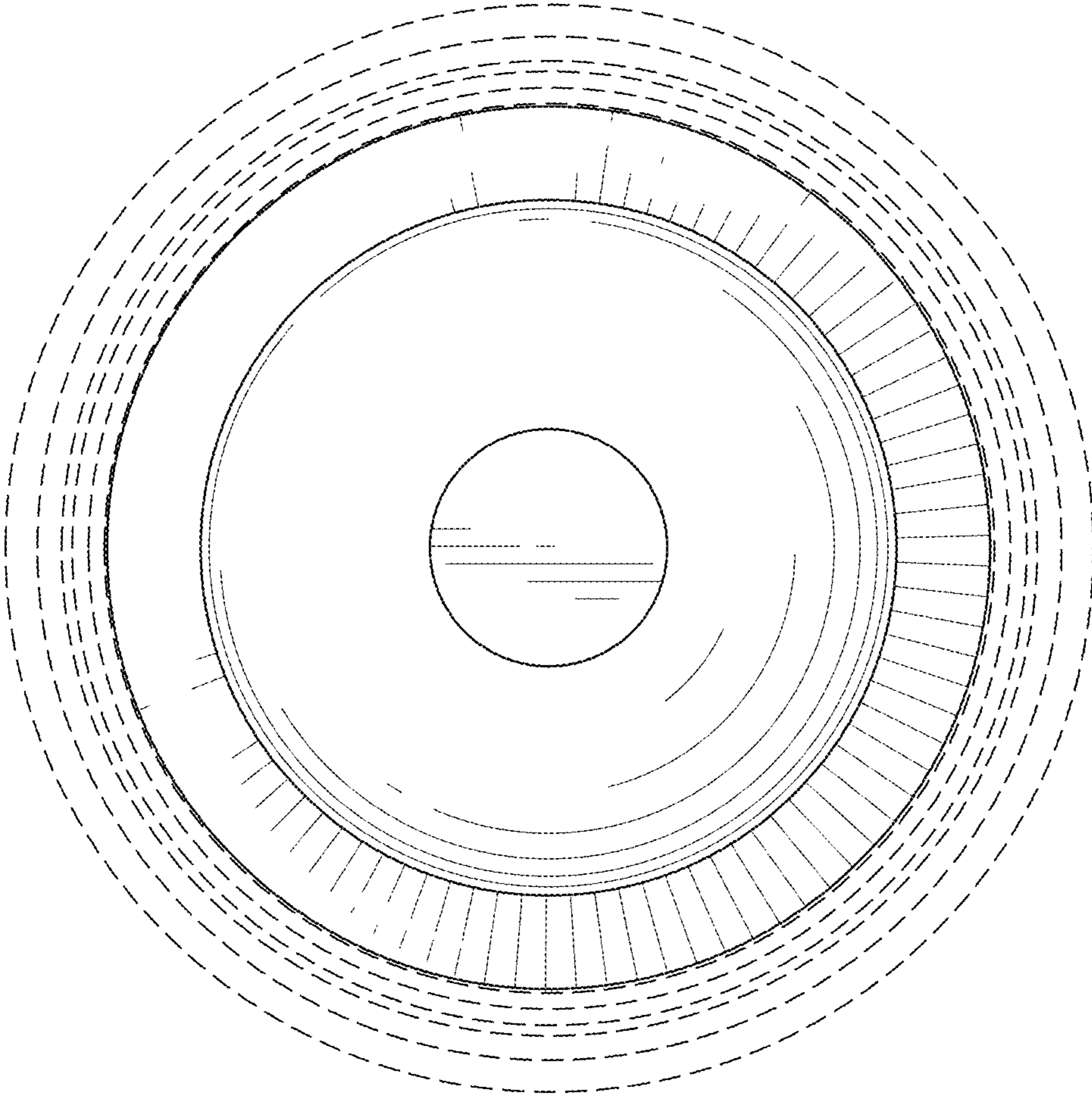


Fig. 3