



US00D971012S

(12) **United States Design Patent**
Weitsman et al.

(10) **Patent No.:** **US D971,012 S**

(45) **Date of Patent:** **** Nov. 29, 2022**

(54) **MARKING APPARATUS**

(71) Applicant: **CW Consulting Associates, LLC**,
Saratoga, CA (US)

(72) Inventors: **Kevin L. Weitsman**, Saratoga, CA
(US); **Ronald L. Johnson**, San Jose,
CA (US); **Yugen Patrick Lockhart**,
Palo Alto, CA (US)

(73) Assignee: **CW Consulting Associates, LLC**,
Saratoga, CA (US)

(**) Term: **15 Years**

(21) Appl. No.: **29/842,628**

(22) Filed: **Jun. 14, 2022**

Related U.S. Application Data

(63) Continuation of application No. 17/589,870, filed on
Jan. 31, 2022, now Pat. No. 11,399,642, which is a
continuation of application No. 17/425,938, filed as
application No. PCT/US2020/015469 on Jan. 28,
2020, now Pat. No. 11,291,317.

(51) **LOC (13) Cl.** **08-05**

(52) **U.S. Cl.**
USPC **D8/380**

(58) **Field of Classification Search**
USPC D8/380, 381
CPC A47G 1/205; B25H 7/045; B25H 7/04;
B43K 23/001; B43K 23/016; F16B
19/109; F16B 21/09; F16M 11/041;
F16M 13/00; F16M 13/02
See application file for complete search history.

(56) **References Cited**

U.S. PATENT DOCUMENTS

2,343,499 A 3/1944 Edwards
4,202,108 A 5/1980 Adams, Jr. et al.
4,382,337 A 5/1983 Bendick

4,392,425 A 7/1983 Capezzuto et al.
4,466,193 A 8/1984 Astle
4,512,084 A 4/1985 Lieberman
4,794,857 A 1/1989 Waters, Sr.
4,837,942 A 6/1989 Watts
5,477,620 A 12/1995 Barnett
5,927,919 A 7/1999 Blankenship et al.
6,360,661 B1 3/2002 Cheung
6,574,880 B2 6/2003 Lombardo
6,848,192 B2 2/2005 Partin
6,908,270 B1 6/2005 Iwata
6,952,887 B2 10/2005 Muchnik

(Continued)

FOREIGN PATENT DOCUMENTS

WO 2017053636 A1 3/2017

OTHER PUBLICATIONS

Oct. 24, 2014 Internet Archive screen capture of Home Depot web
page for 20 lb. Large Keyhole Hangers, Model #50236.

(Continued)

Primary Examiner — Antoine Duval Davis

(74) *Attorney, Agent, or Firm* — Lance M. Pritikin

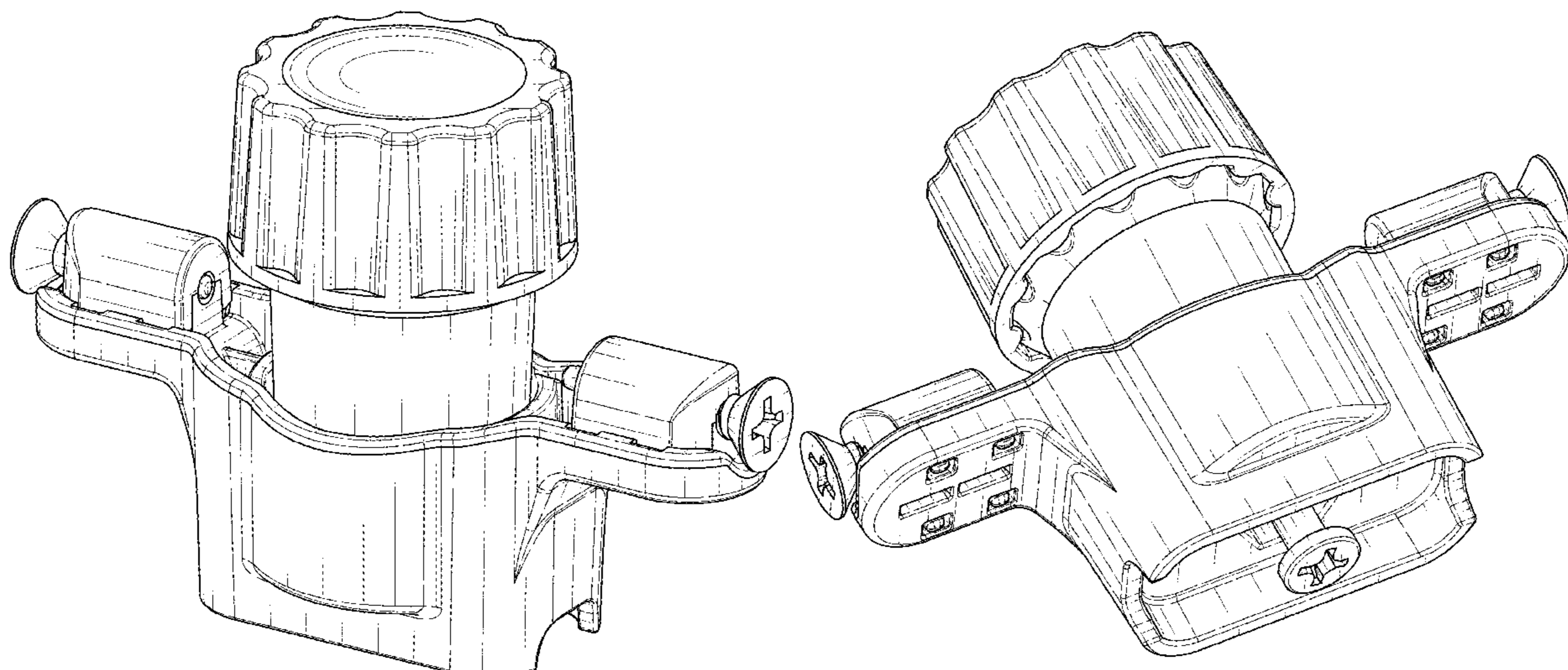
(57) **CLAIM**

The ornamental design for a marking apparatus, as shown
and described.

DESCRIPTION

FIG. 1 is a front perspective view of a marking apparatus,
showing my new design;
FIG. 2 is a front elevational view thereof, the rear elevational
view being a mirror image thereof;
FIG. 3 is a left side elevational view thereof, the right side
elevational view being a mirror image thereof;
FIG. 4 is a top plan view thereof;
FIG. 5 is a bottom plan view thereof; and,
FIG. 6 is a bottom perspective view thereof.

1 Claim, 4 Drawing Sheets



(56)

References Cited

U.S. PATENT DOCUMENTS

| | | | | |
|--------------|-----|---------|----------------|------------------|
| 6,971,184 | B2 | 12/2005 | Prevost | |
| 6,978,551 | B2 | 12/2005 | Krake et al. | |
| 6,983,691 | B2 | 1/2006 | Shih | |
| 7,032,872 | B2 | 4/2006 | Sullivan | |
| 7,185,442 | B2 | 3/2007 | Grillo | |
| 7,293,925 | B1 | 11/2007 | Sanseviero | |
| 7,350,312 | B1 | 4/2008 | Grillo | |
| 7,497,028 | B2 | 3/2009 | Nevers et al. | |
| 8,458,979 | B2 | 6/2013 | Ebner et al. | |
| 9,555,540 | B1 | 1/2017 | Weitsman | |
| 2002/0083612 | A1 | 7/2002 | Prather | |
| 2004/0098875 | A1 | 5/2004 | Gould | |
| 2006/0075650 | A1 | 4/2006 | Tatum | |
| 2007/0119068 | A1 | 5/2007 | Horst | |
| 2007/0283588 | A1 | 12/2007 | Gardner et al. | |
| 2008/0315063 | A1 | 12/2008 | Gallien | |
| 2009/0193674 | A1 | 8/2009 | Megahed | |
| 2011/0174953 | A1 | 7/2011 | Ruiz et al. | |
| 2015/0034794 | A1 | 2/2015 | Durante | |
| 2015/0144756 | A1 | 5/2015 | Miller | |
| 2017/0008161 | A1* | 1/2017 | Weitsman | B25H 7/045 |
| 2017/0273479 | A1 | 9/2017 | Snyder | |
| 2017/0303709 | A1 | 10/2017 | Ulloa et al. | |
| 2018/0370017 | A1* | 12/2018 | Weitsman | F16M 13/02 |
| 2019/0070877 | A1 | 3/2019 | Flores | |
| 2022/0039567 | A1* | 2/2022 | Weitsman | A47G 1/205 |

OTHER PUBLICATIONS

Mar. 12, 2015 Internet Archive screen capture of Parts Express web page for Keyhole Speaker Hanging Kit, Hangman Model KSH4-B.
 Sep. 2, 2013 Internet Archive screen capture of E-VisionUK Hotel Solutions web page for Keyhole Brackets.

* cited by examiner

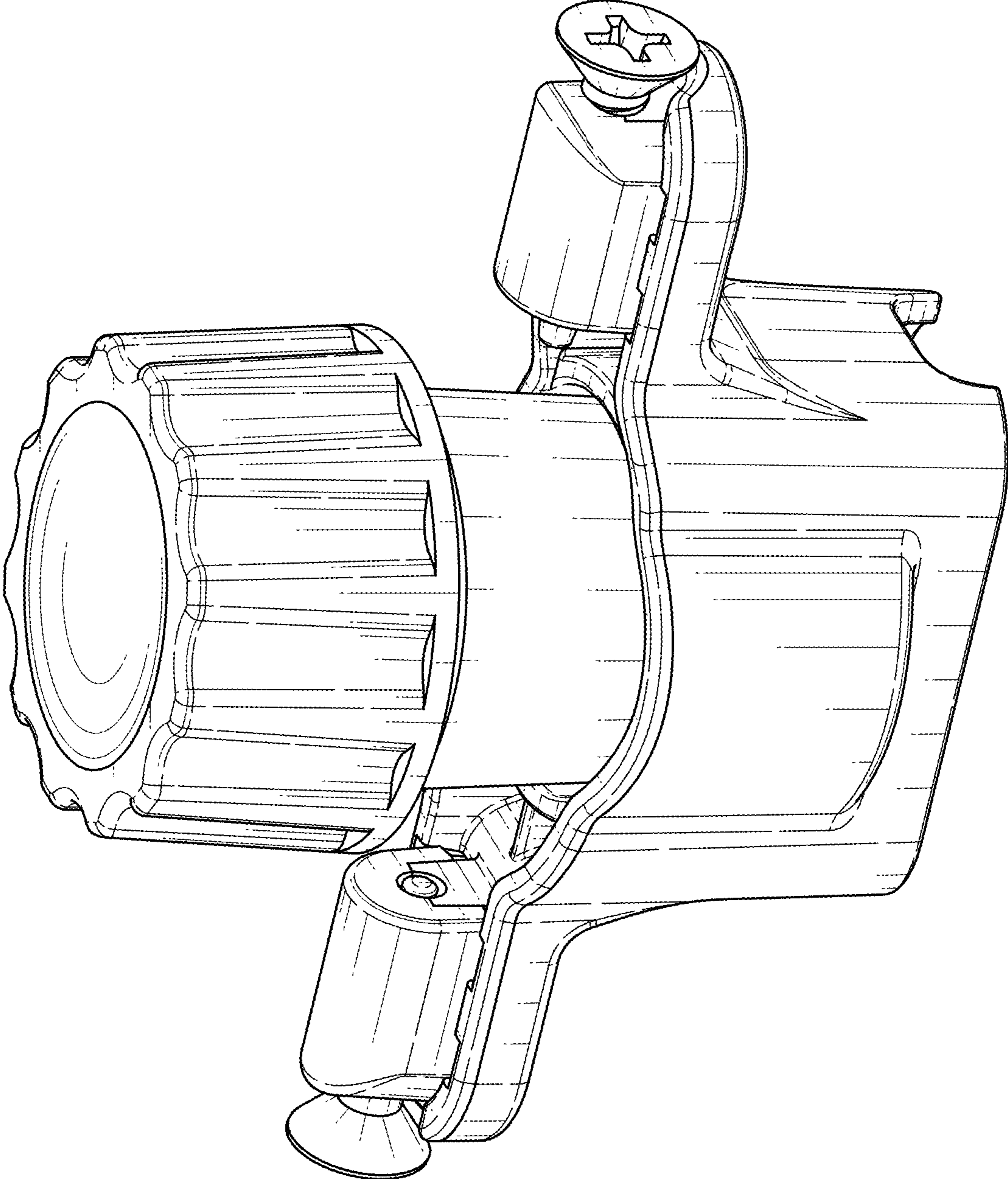


FIG. 1

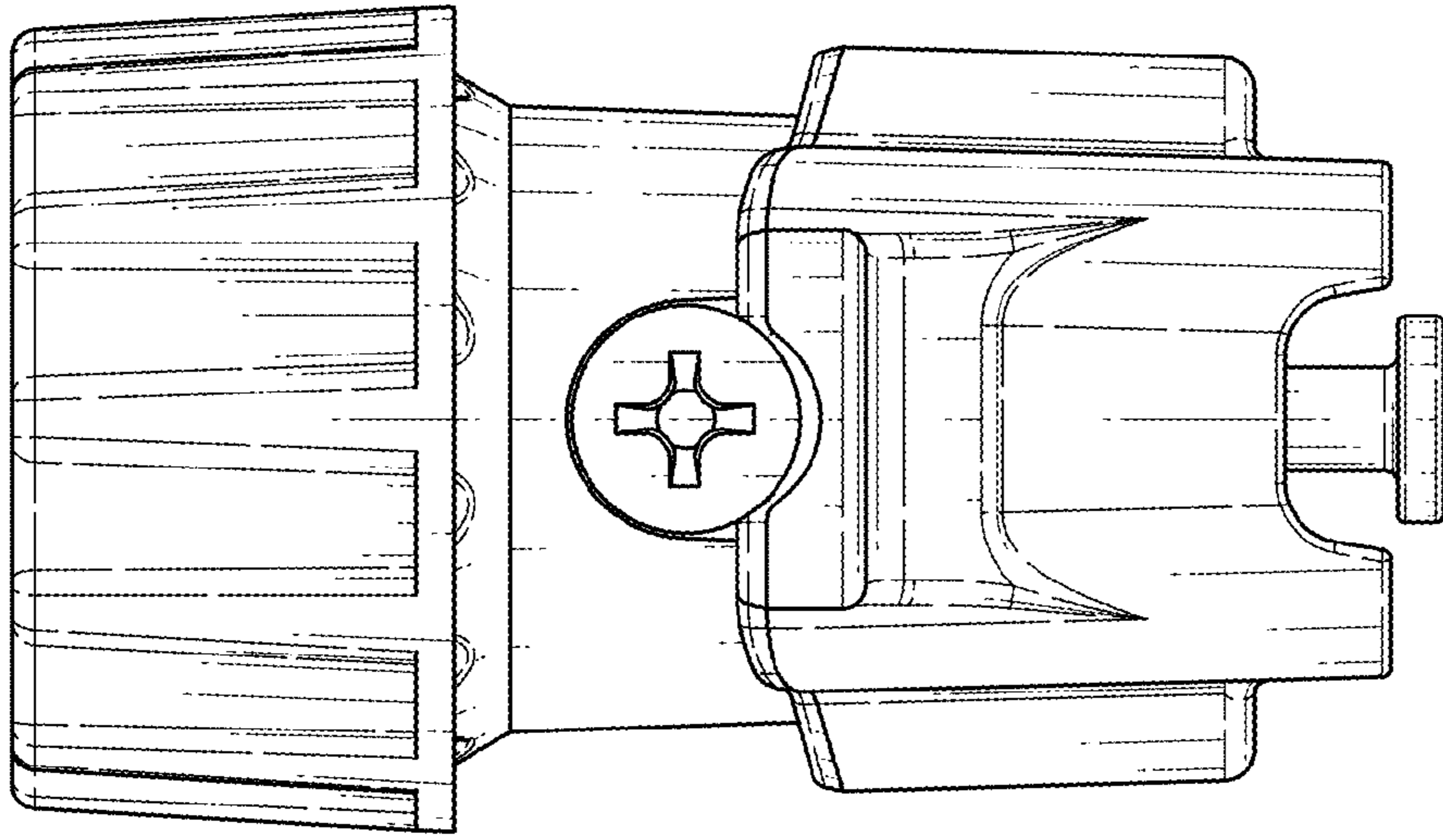


FIG. 3

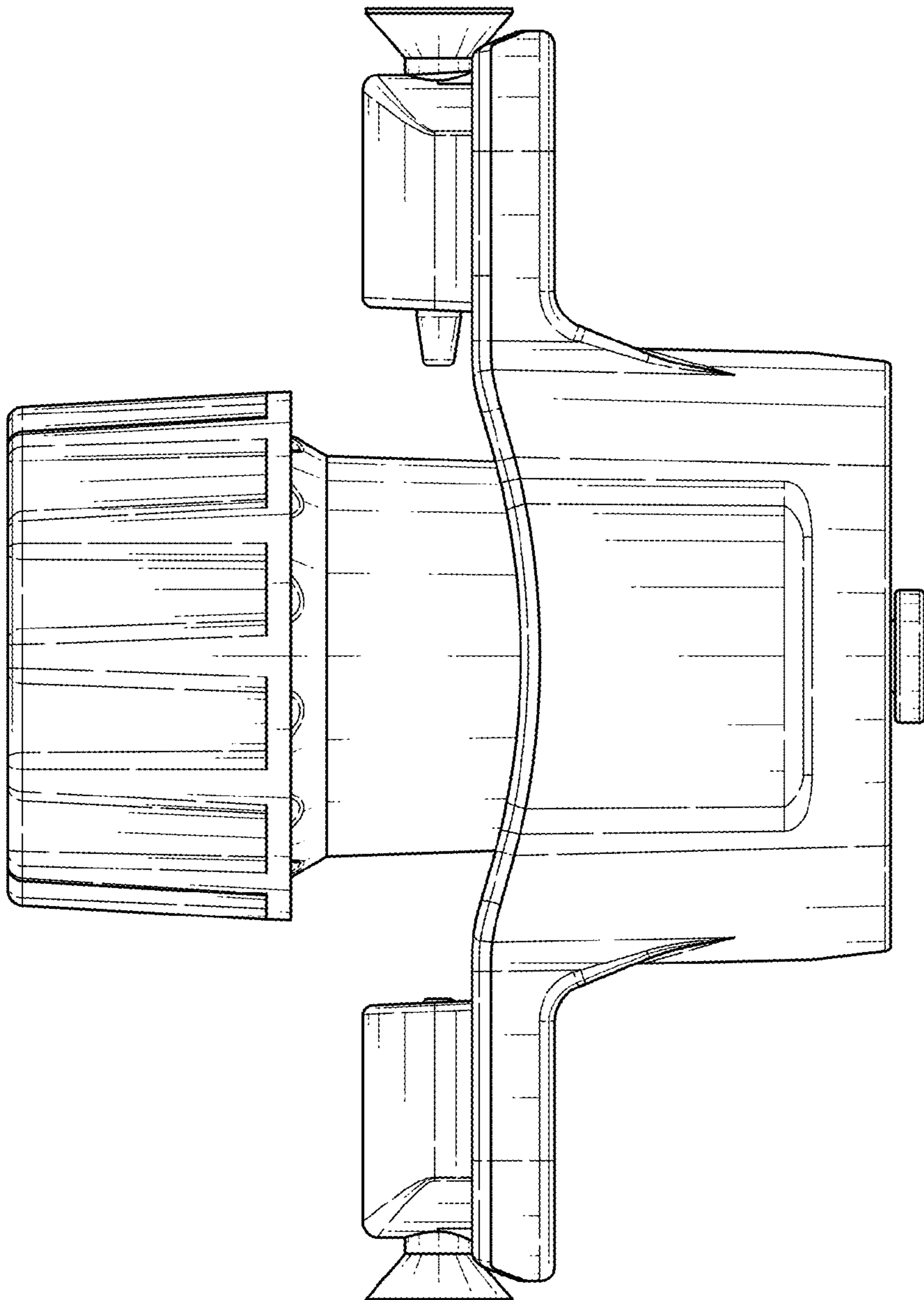


FIG. 2

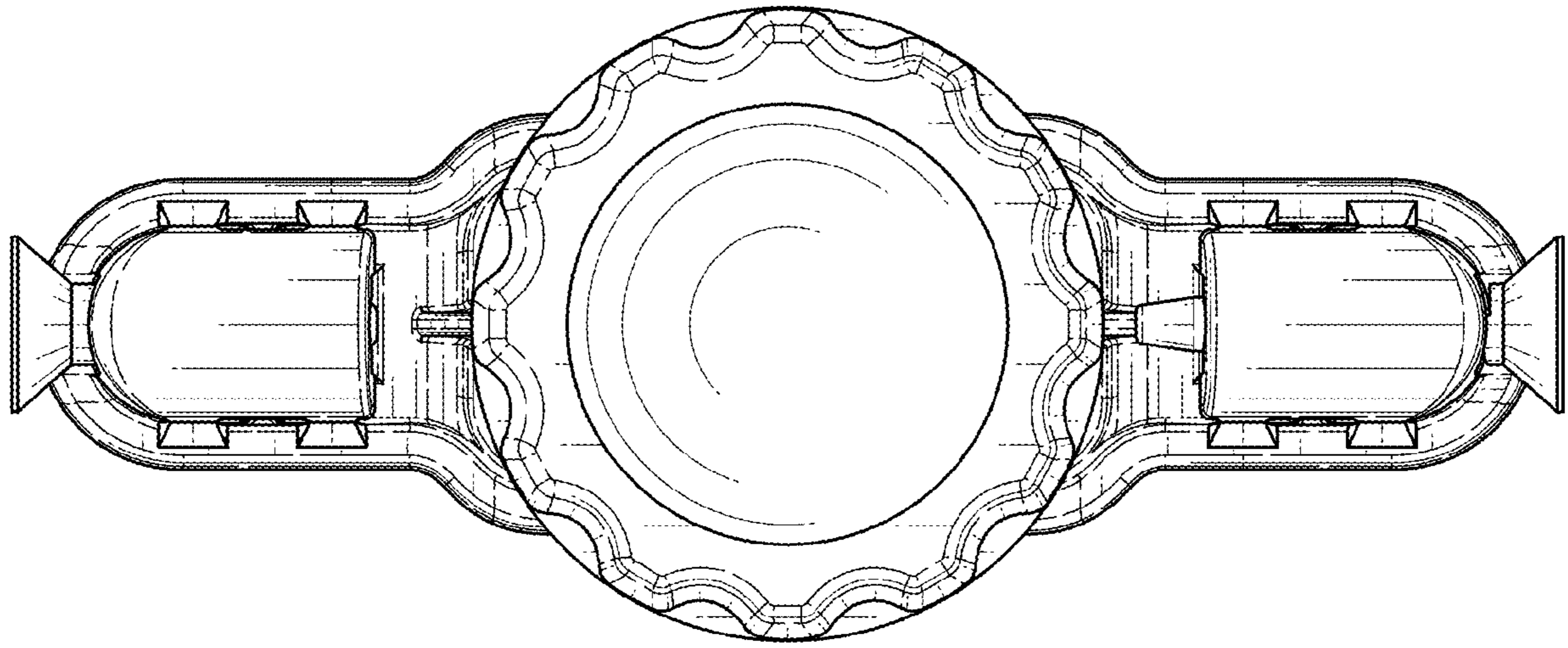


FIG. 4

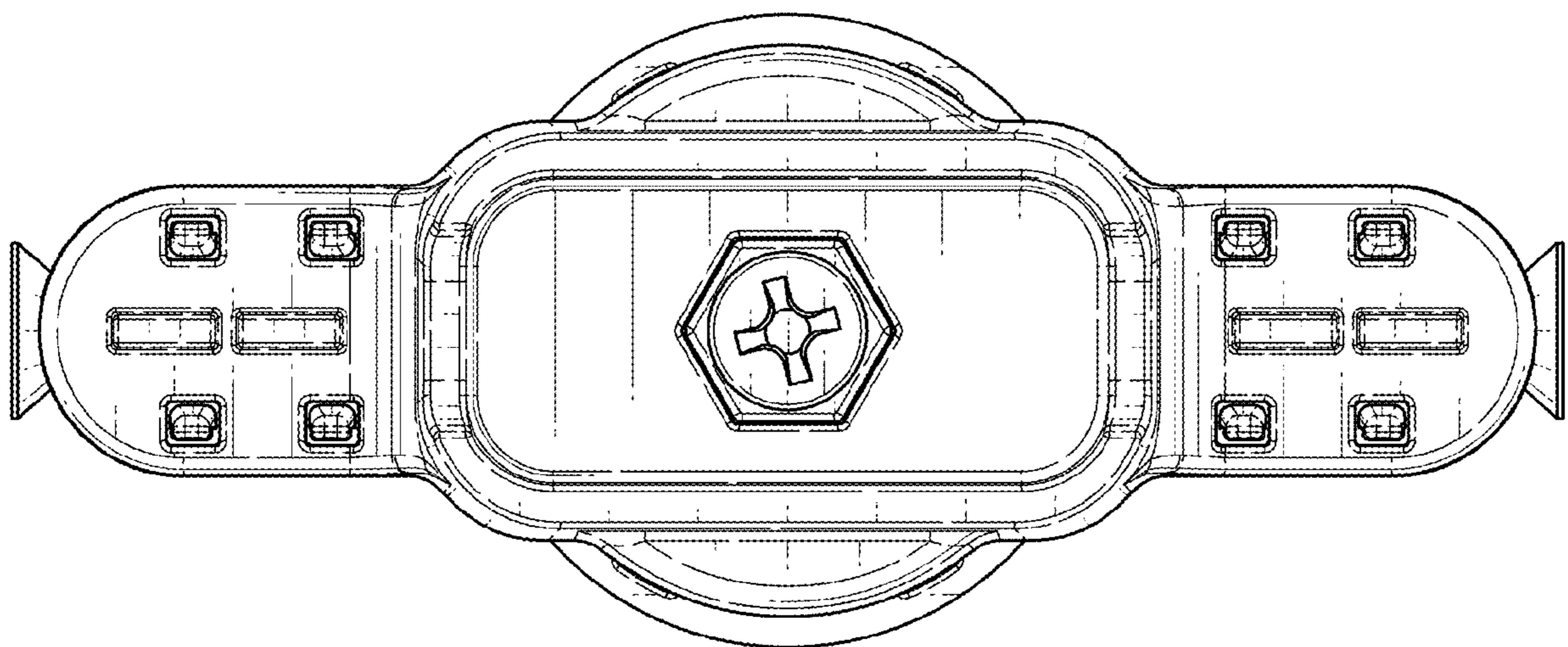


FIG. 5

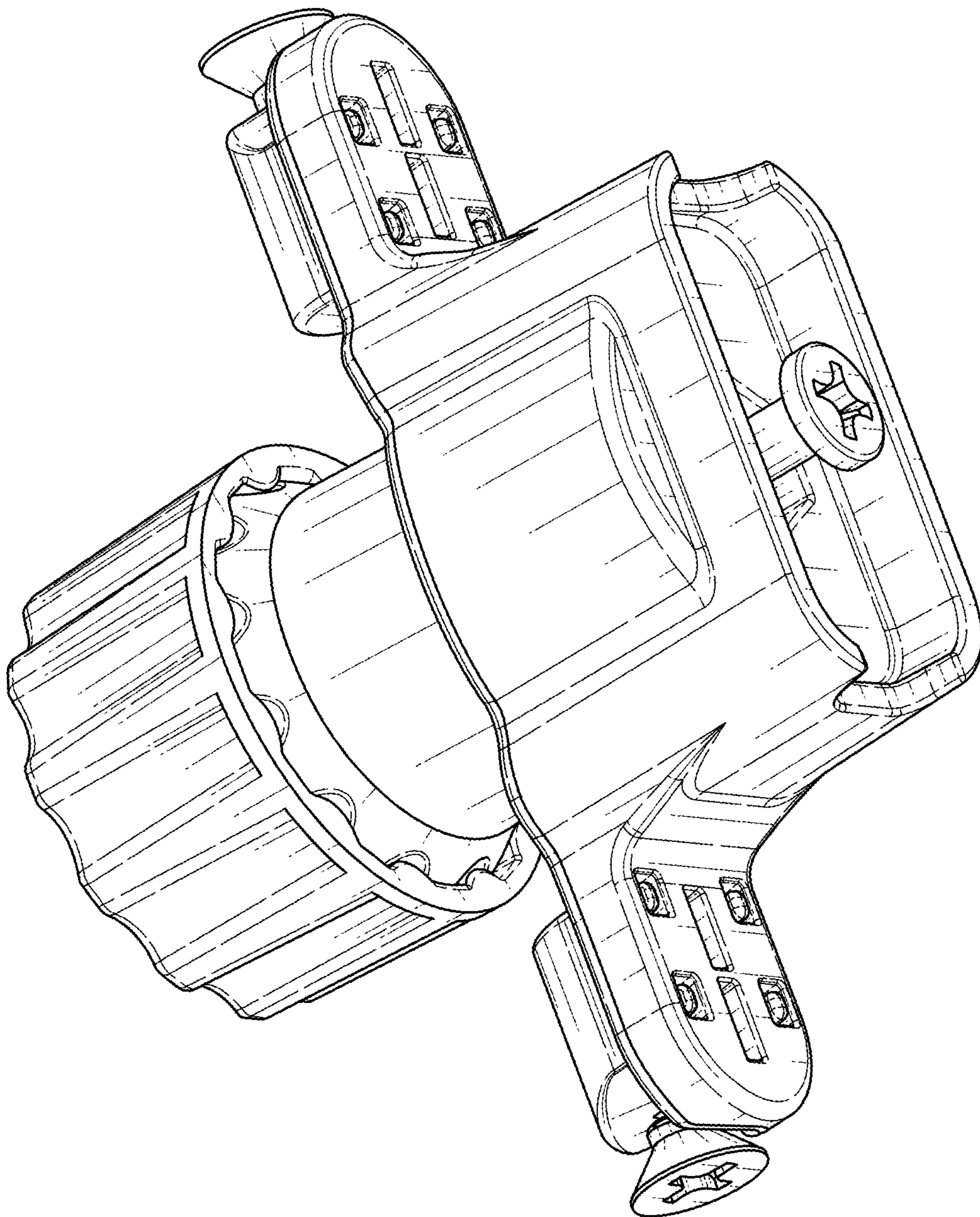


FIG. 6