



US00D971011S

(12) **United States Design Patent**
Chen

(10) **Patent No.:** **US D971,011 S**

(45) **Date of Patent:** **** Nov. 29, 2022**

(54) **CLIP**

(71) Applicant: **Wen Chen**, Ningbo (CN)

(72) Inventor: **Wen Chen**, Ningbo (CN)

(**) Term: **15 Years**

(21) Appl. No.: **29/819,768**

(22) Filed: **Dec. 17, 2021**

(51) **LOC (13) Cl.** **08-11**

(52) **U.S. Cl.**
USPC **D8/367; D8/356**

(58) **Field of Classification Search**
USPC D8/356, 354, 105, 349, 367, 373, 372;
D3/207; 248/301, 302, 303, 304, 339;
24/599.7, 599.9
CPC B65H 57/16; B63B 21/045; A63B 29/08;
A63B 27/02; A47G 1/17; A47G 1/22;
A47G 25/0607; F16B 45/02; F16B
45/021; B66C 1/125; B66C 1/36; A62B
35/0037
See application file for complete search history.

D863,042 S * 10/2019 Jiang D8/367
D868,556 S * 12/2019 Nafso D8/72
D882,378 S 4/2020 Graykowski
D893,286 S * 8/2020 Xu D8/360
D920,083 S * 5/2021 Yu D8/360
D934,060 S 10/2021 Petzl
D934,661 S * 11/2021 Petzl D8/356
D934,662 S * 11/2021 Adelman F16B 45/023
D8/356
D937,665 S * 12/2021 Zhang D8/367
D951,075 S * 5/2022 Zhang D8/367
D964,152 S * 9/2022 Yu D8/356

* cited by examiner

Primary Examiner — Cynthia R Underwood

(57) **CLAIM**

The ornamental design for a clip, as shown and described.

DESCRIPTION

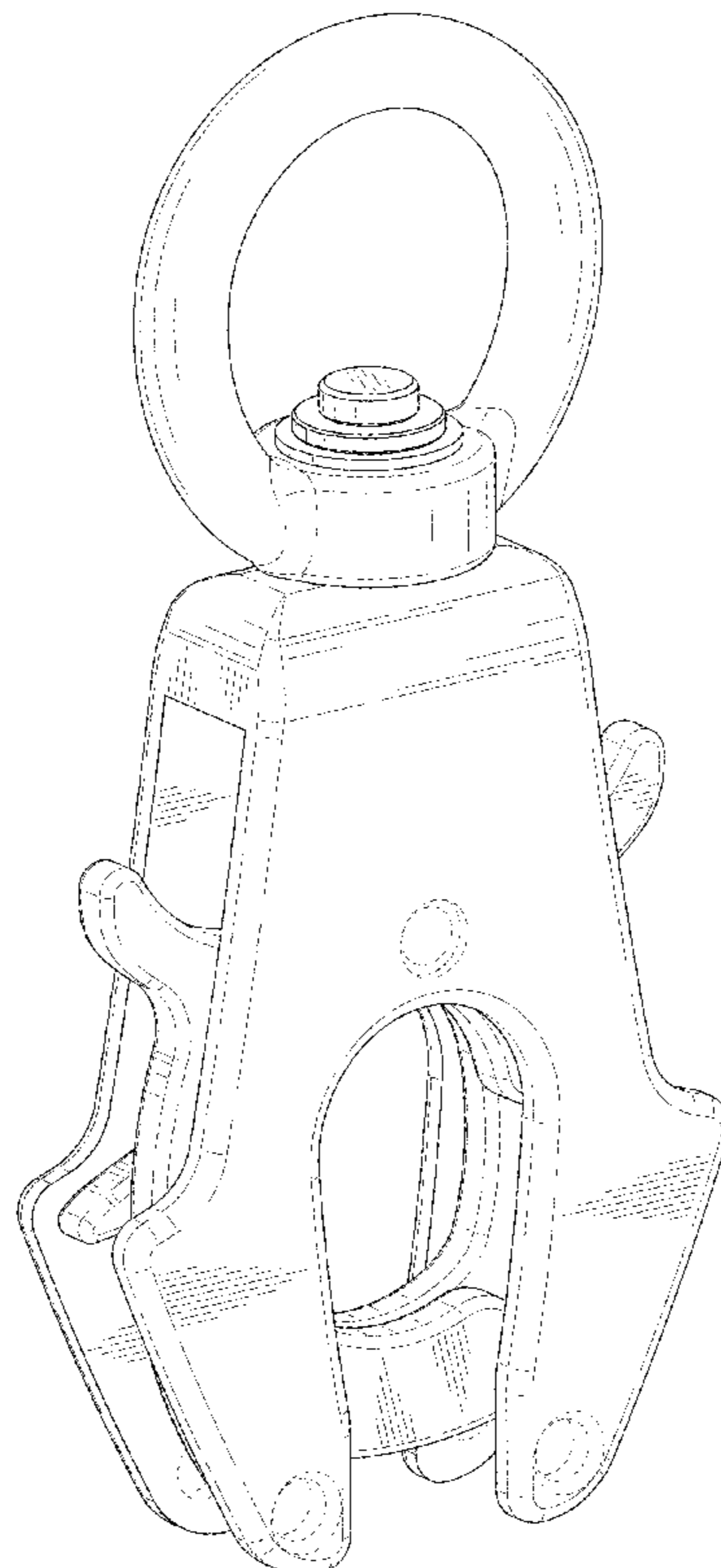
FIG. 1 is a perspective view of a clip showing my new design;
FIG. 2 is another perspective view thereof;
FIG. 3 is a front elevational view thereof;
FIG. 4 is a rear elevational view thereof;
FIG. 5 is a left side elevational view thereof;
FIG. 6 is a right side elevational view thereof;
FIG. 7 is a top plan view thereof;
FIG. 8 is a bottom plan view thereof; and,
FIG. 9 is a perspective view of the clip where the clip is in a configuration of use.
The broken lines in the drawings depict portions of the clip that form no part of the claimed design.

1 Claim, 9 Drawing Sheets

(56) **References Cited**

U.S. PATENT DOCUMENTS

D564,341 S * 3/2008 Kelleghan D8/356
D597,822 S * 8/2009 Olsen D8/356
D626,393 S * 11/2010 Ormsbee D8/18
D773,911 S * 12/2016 Louis D8/356
D819,429 S * 6/2018 Newing D8/356



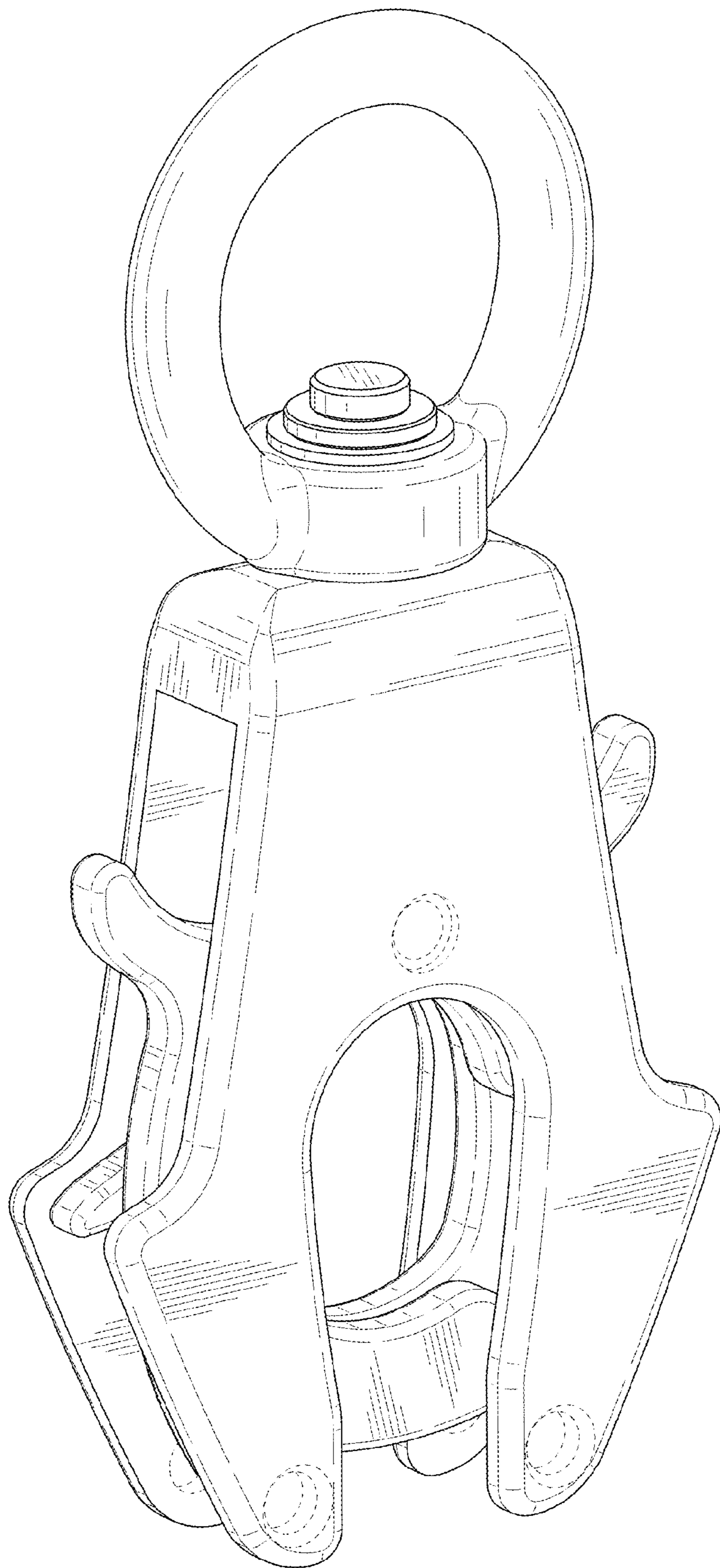


FIG. 1

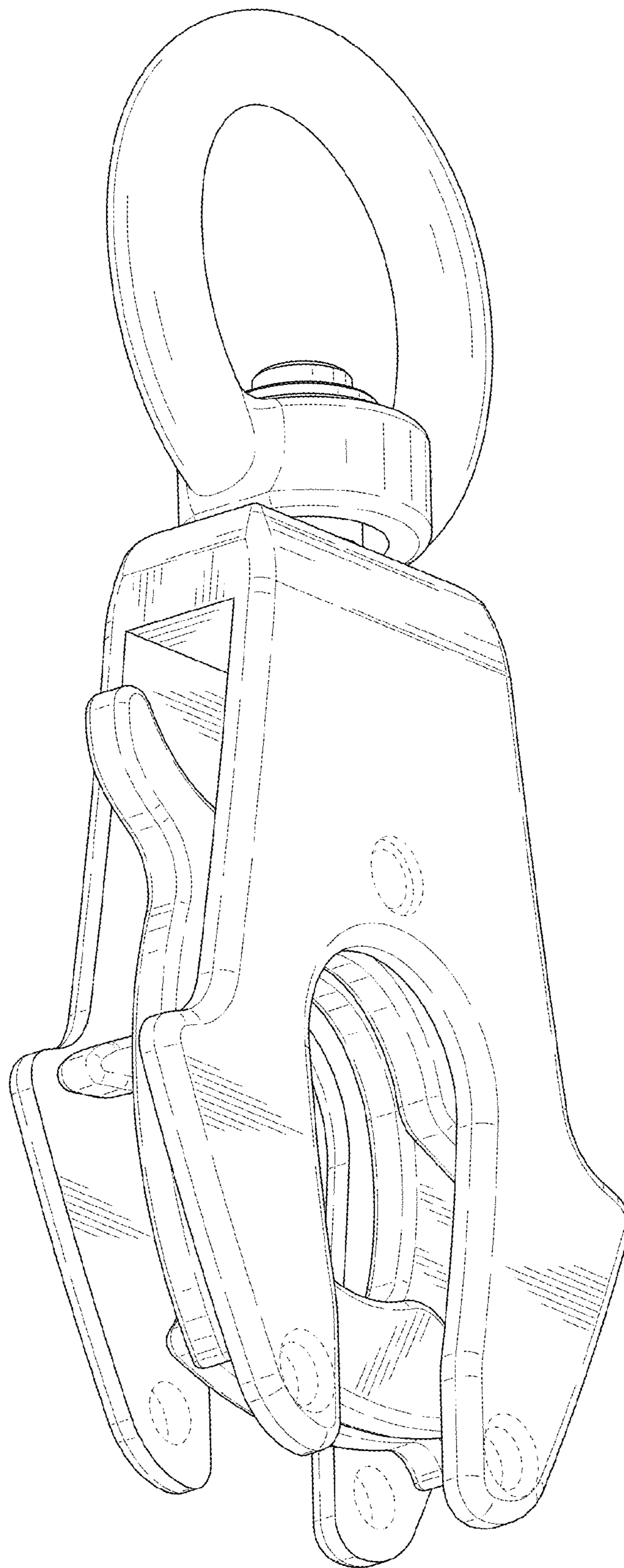


FIG. 2

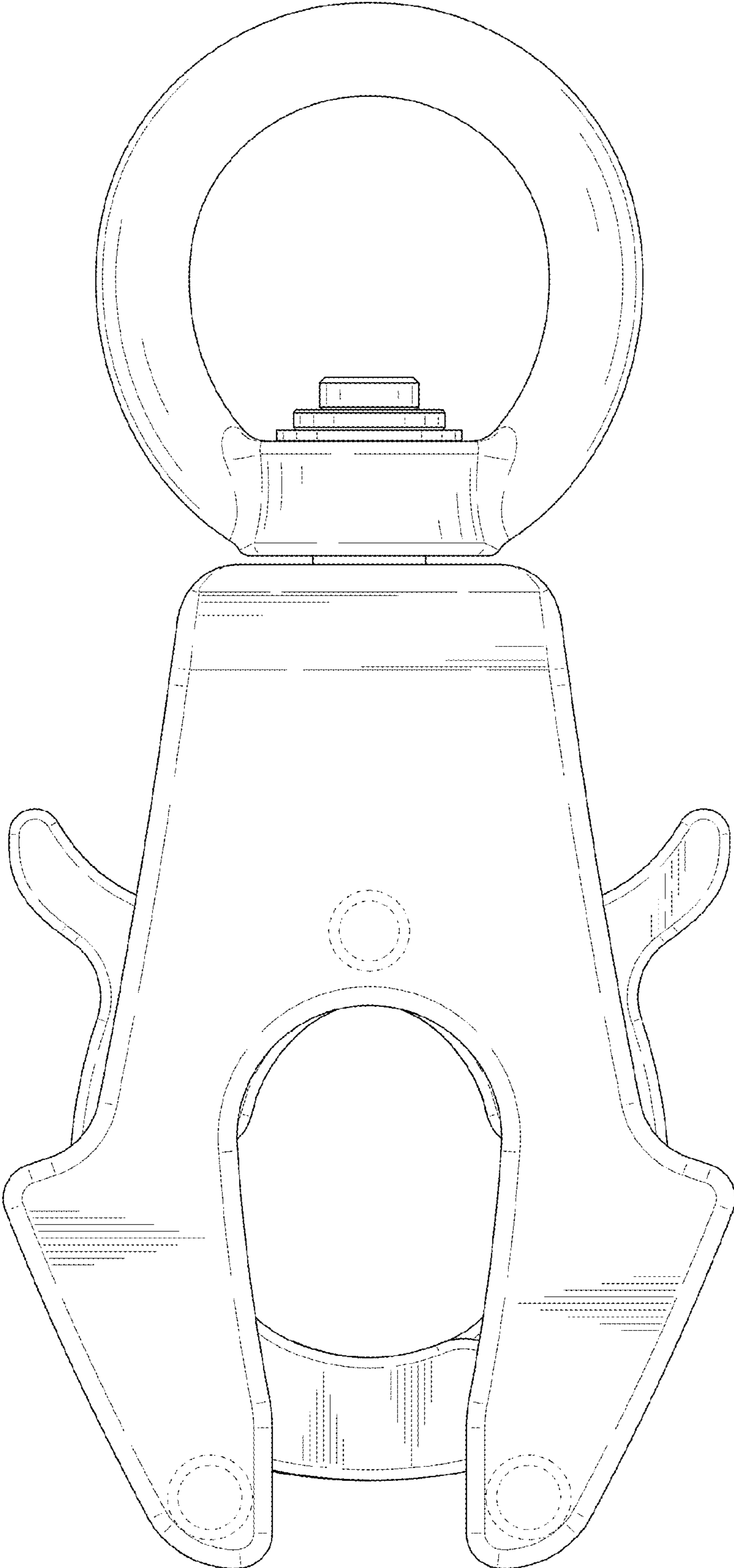


FIG. 3

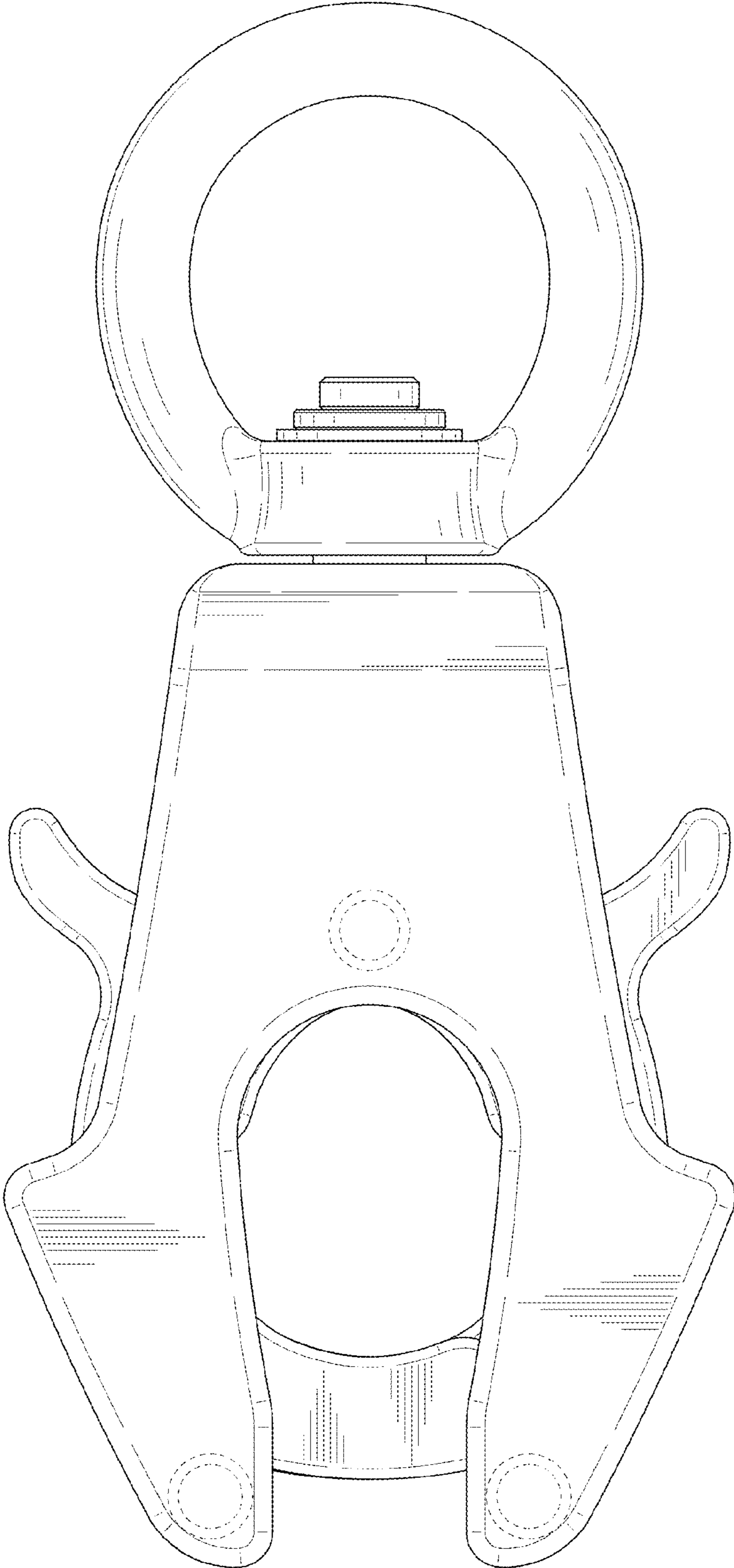


FIG. 4

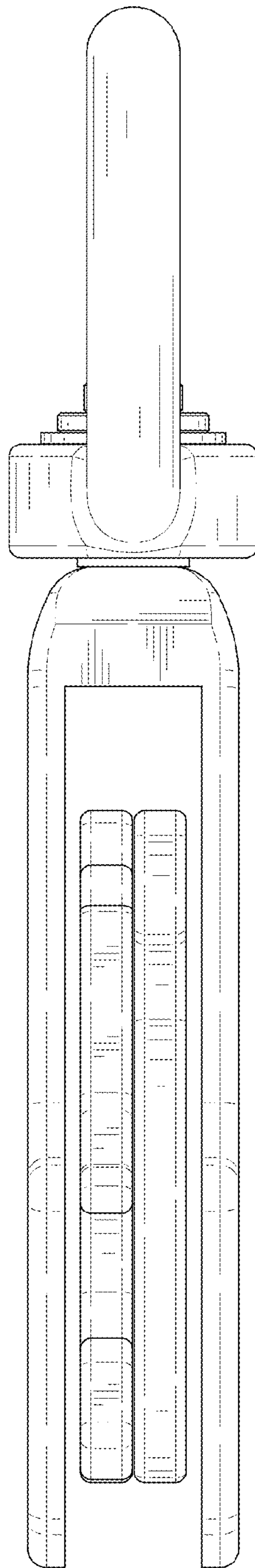


FIG. 5

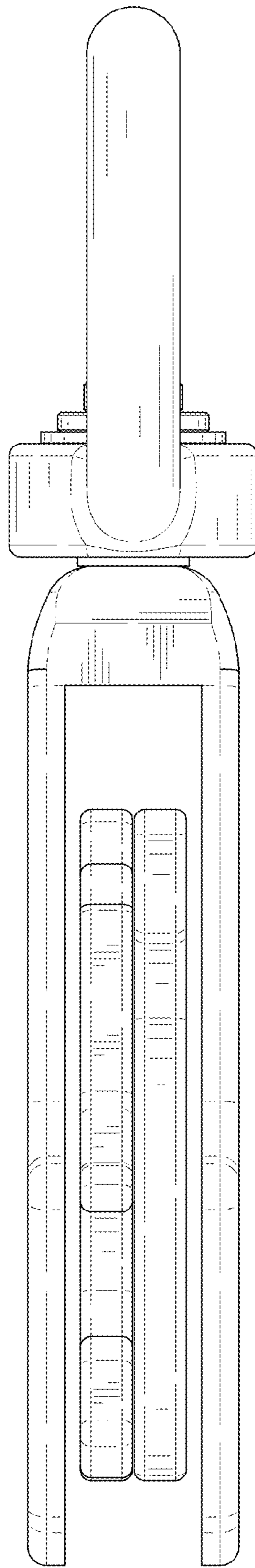


FIG. 6

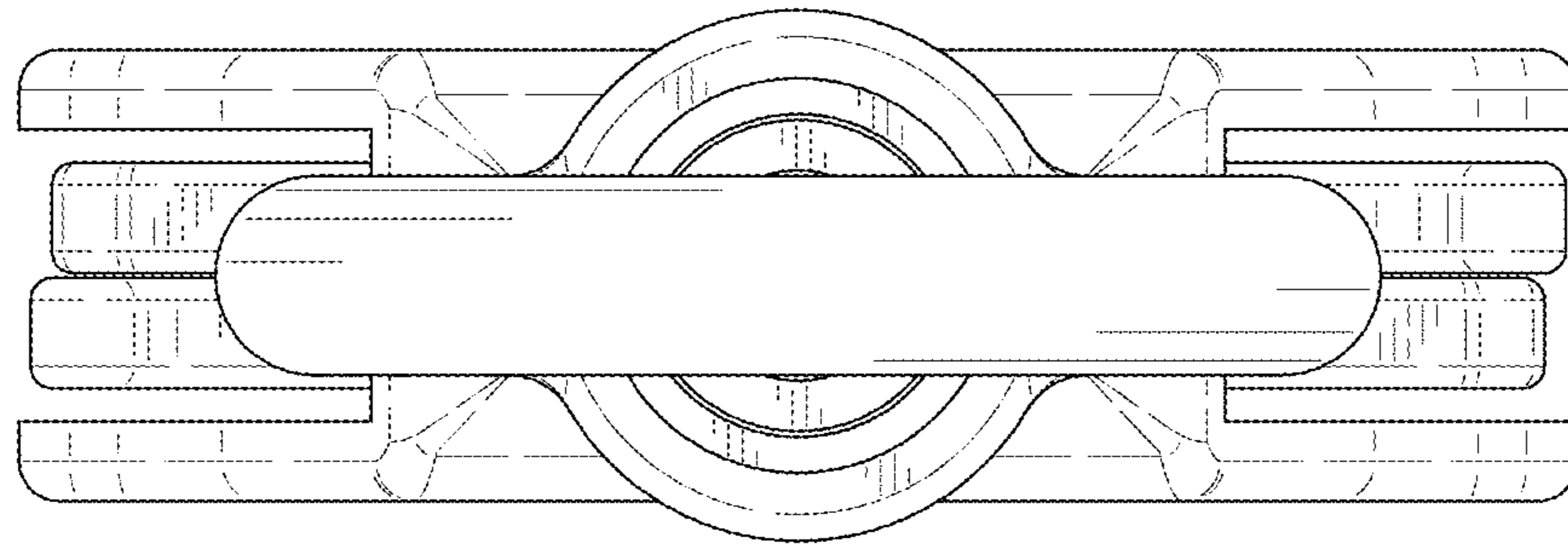


FIG. 7

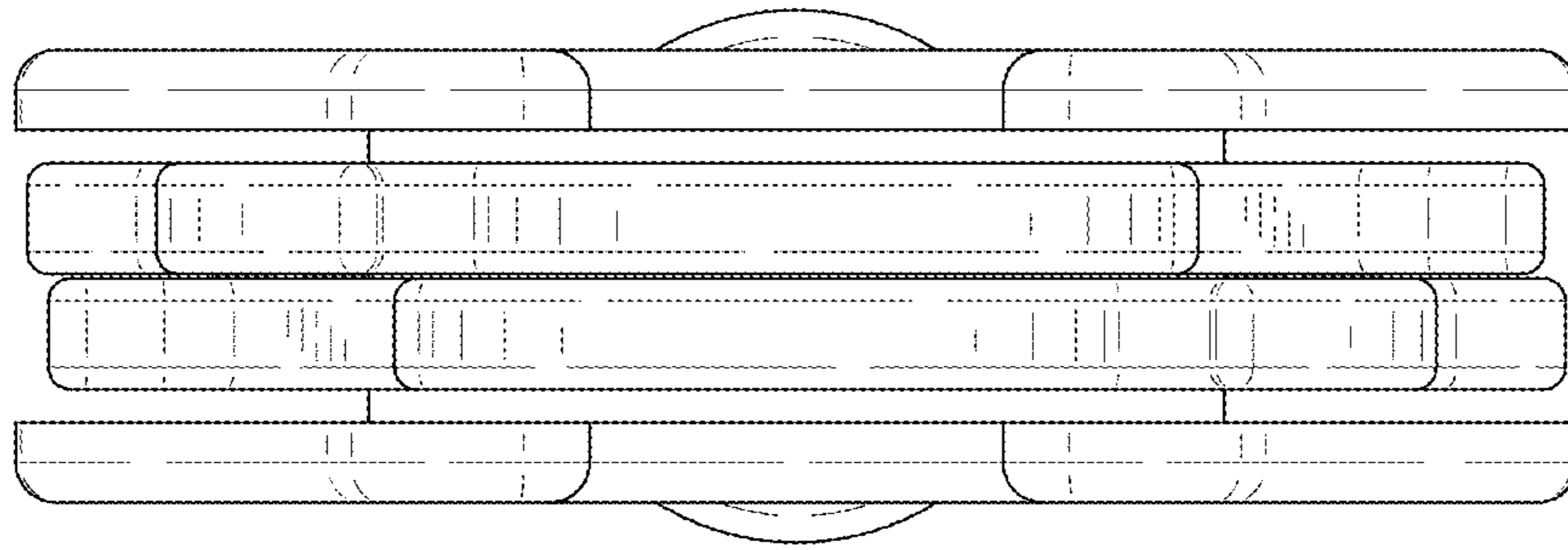


FIG. 8

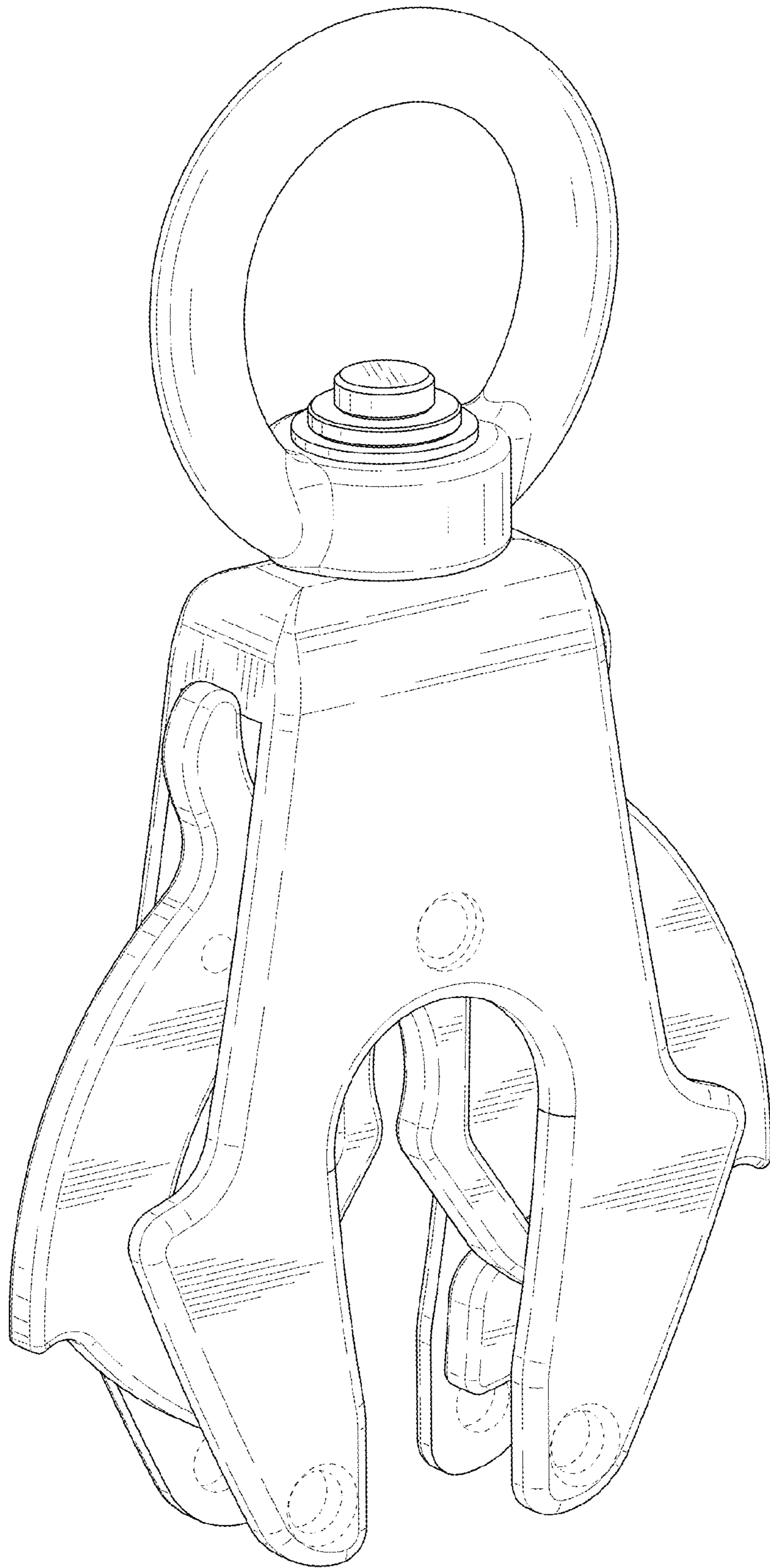


FIG. 9