



US00D971010S

(12) **United States Design Patent** (10) **Patent No.:** **US D971,010 S**
Kott (45) **Date of Patent:** **** Nov. 29, 2022**

(54) **DEVICE MOUNT**

(71) Applicant: **Earth and Blue, LLC**, Biddeford, ME (US)

(72) Inventor: **Vincent Kott**, Biddeford, ME (US)

(**) Term: **15 Years**

(21) Appl. No.: **29/727,853**

(22) Filed: **Mar. 13, 2020**

(51) **LOC (13) Cl.** **08-11**

(52) **U.S. Cl.**
USPC **D8/367**

(58) **Field of Classification Search**
USPC D8/356, 354, 349, 396, 394, 382, 373,
D8/358, 367; D13/155; 248/68.1;
D24/128; D21/797, 796
CPC B65H 57/16; B63B 21/045; F16B 45/00;
H02G 3/30

See application file for complete search history.

(56) **References Cited**

U.S. PATENT DOCUMENTS

D478,630 S *	8/2003	Riggins	D19/83
D541,642 S *	5/2007	Heindl	D8/382
D545,183 S *	6/2007	French	D8/394
D569,712 S *	5/2008	Young, IV	D8/358
D573,448 S *	7/2008	Young, IV	D8/356
D581,255 S *	11/2008	Calvin	D8/356
7,825,337 B2 *	11/2010	Young, IV	H02G 3/30 174/72 A
D646,557 S *	10/2011	Chan	D8/367
D661,570 S *	6/2012	Fox	D8/356
D670,601 S *	11/2012	Paik	D11/218
D724,415 S *	3/2015	Lu	D8/373
D729,046 S *	5/2015	Paik	D8/367
D765,494 S *	9/2016	Chan	D8/356
10,400,471 B2 *	9/2019	Chan	F16B 45/00

D892,959 S *	8/2020	Ji	D21/797
D906,097 S *	12/2020	Krull	D8/367
D949,665 S *	4/2022	Sommer	D8/367
D951,381 S *	5/2022	Wang	D21/797
D953,963 S *	6/2022	Huang	D12/407
D955,206 S *	6/2022	Qiu	D8/367
D958,919 S *	7/2022	Wu	D21/796
D961,069 S *	8/2022	O'Dea	D24/128
D964,053 S *	9/2022	Yu	D6/323
D964,550 S *	9/2022	Hall, Jr.	D24/110.1
2010/0009812 A1 *	1/2010	Pieper Genannt Schmauck	A63B 5/11 482/148
2017/0350154 A1 *	12/2017	Chan	F16B 45/00

* cited by examiner

Primary Examiner — Cynthia R Underwood

(57) **CLAIM**

The ornamental design for a device mount, as shown and described.

DESCRIPTION

FIG. 1 is a perspective view of the first embodiment of the device mount according to the invention, showing the front, top, and side.

FIG. 2 is a perspective view of the first embodiment of the device mount showing the back, bottom, and side

FIG. 3 is front plan view of the device mount.

FIG. 4 is a left side plan view of the device mount.

FIG. 5 is a back plan view of the device mount.

FIG. 6 is a right side plan view of the device mount.

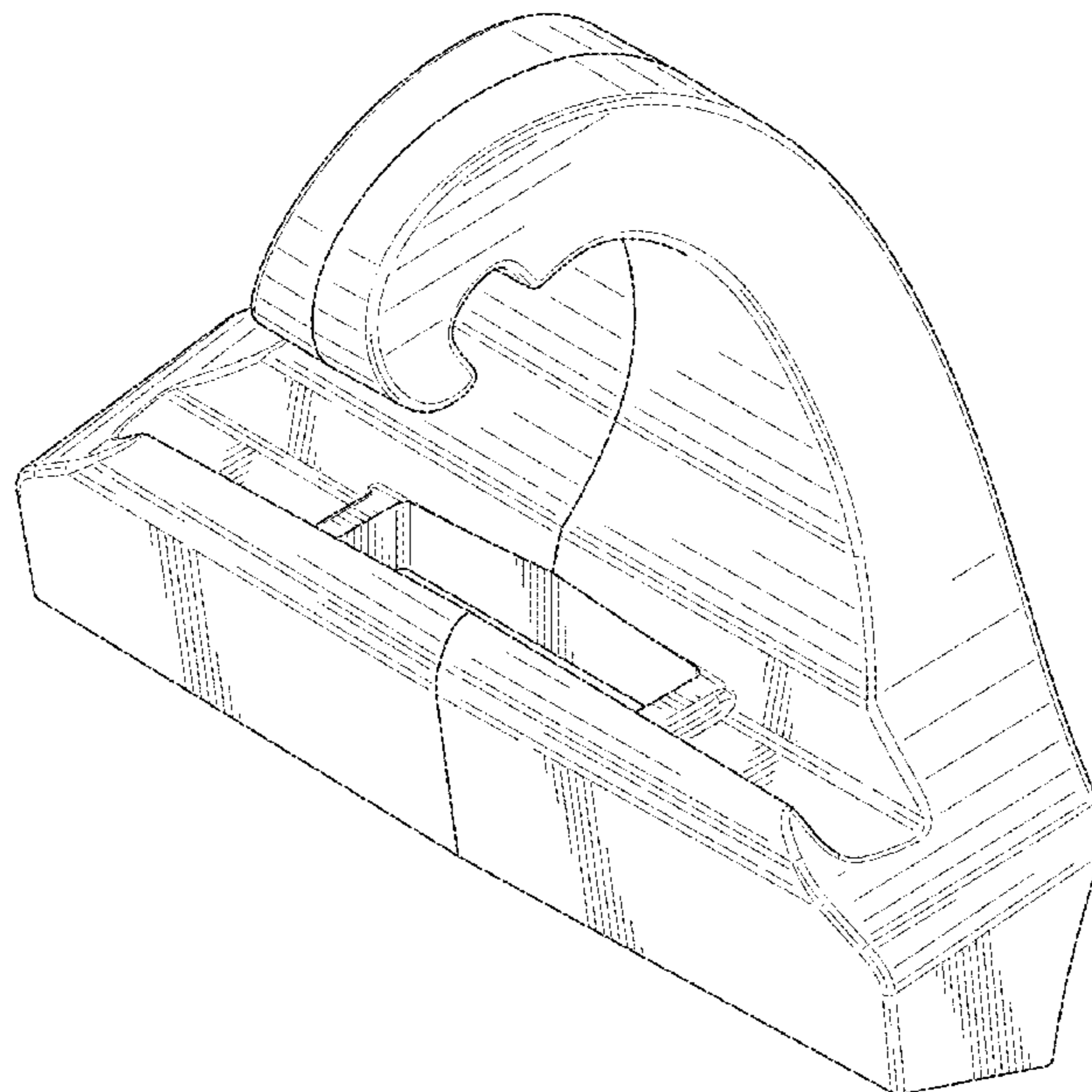
FIG. 7 is a top plan view of the device mount.

FIG. 8 is a bottom plan view of the device mount; and,

FIG. 9 is a cross-sectional view of the device mount taken from line 9-9 in FIG. 7.

The broken lines represent cross-section markers and form no part of the claim.

1 Claim, 8 Drawing Sheets



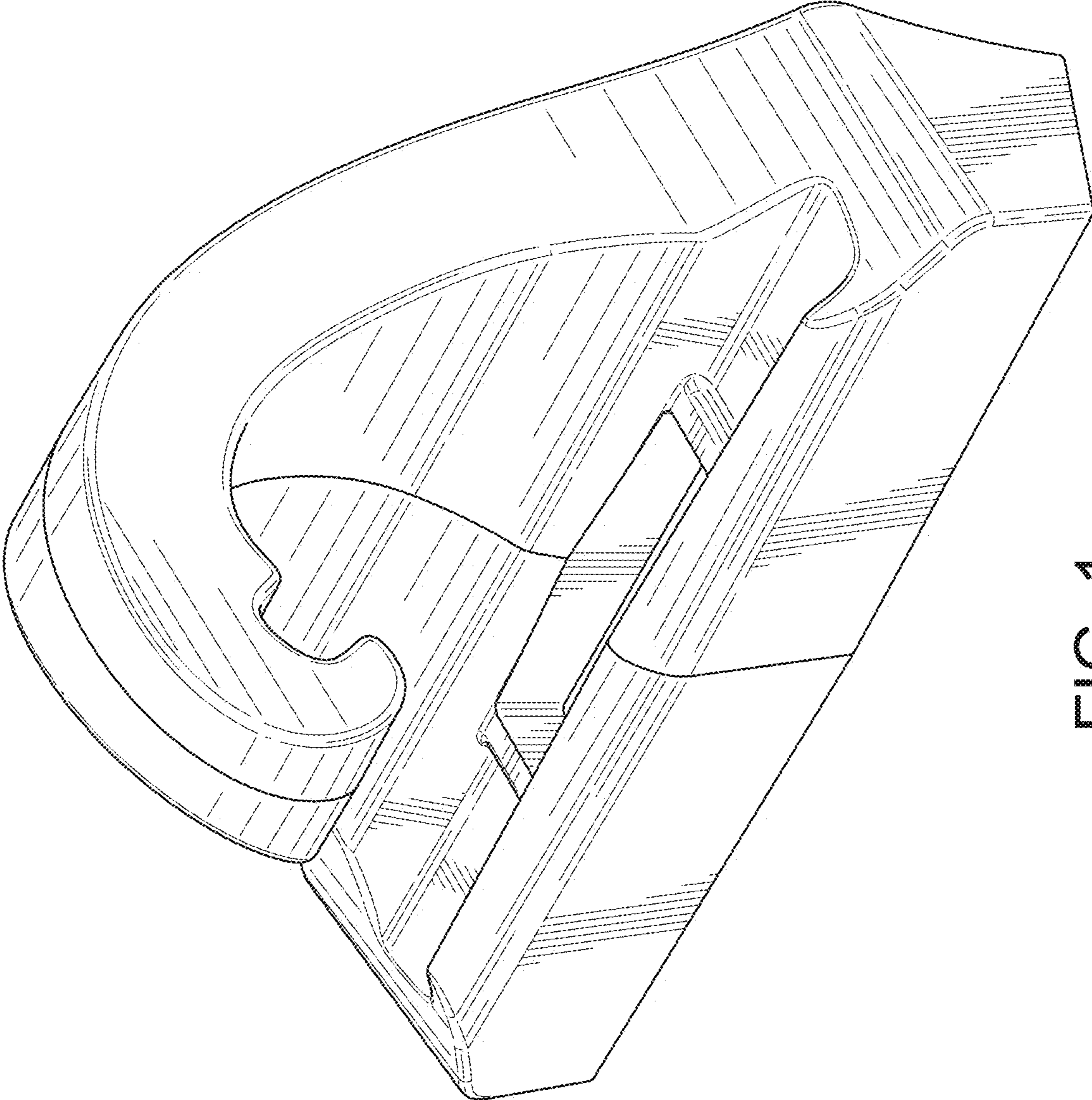


FIG. 1

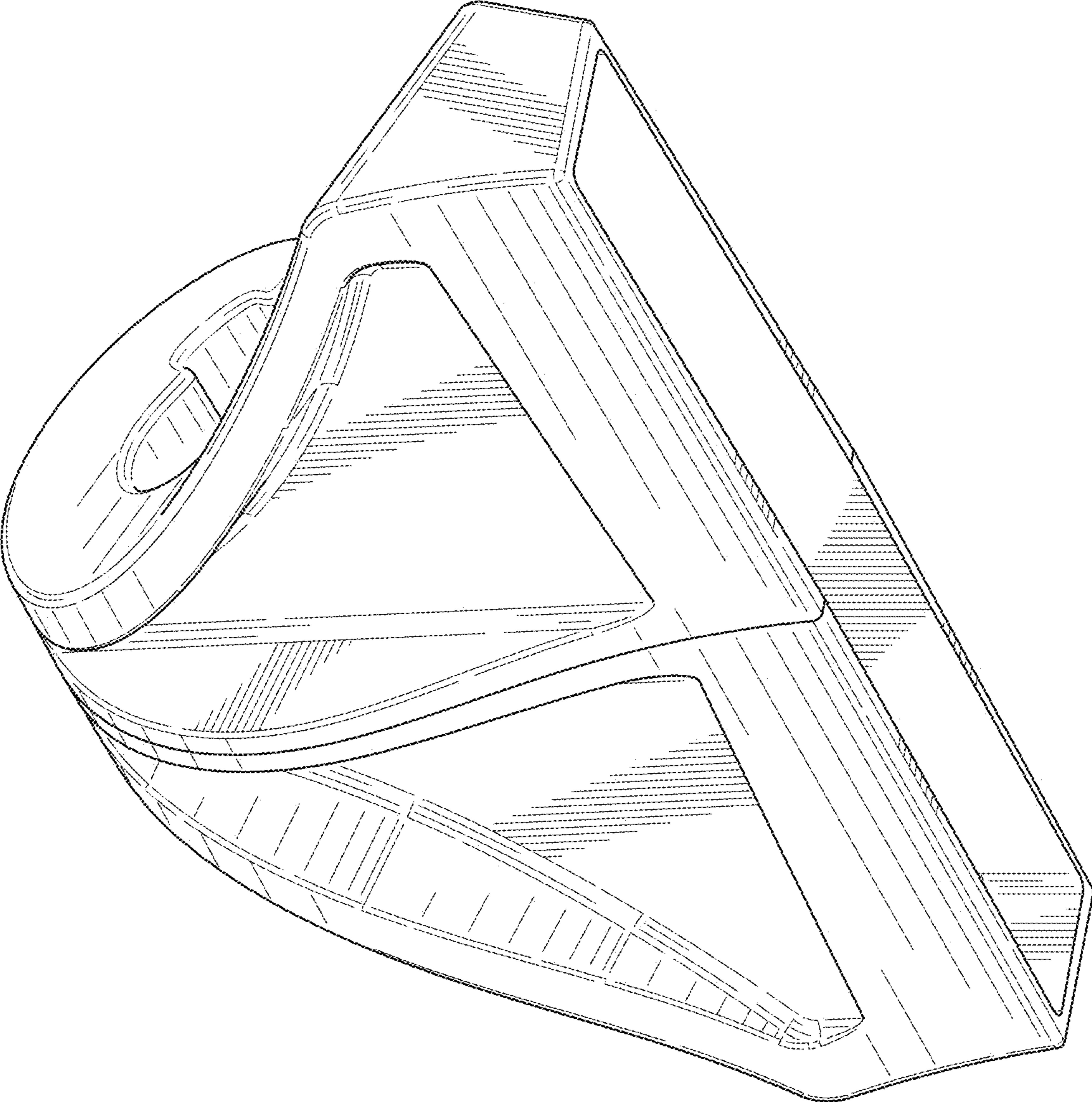


FIG. 2

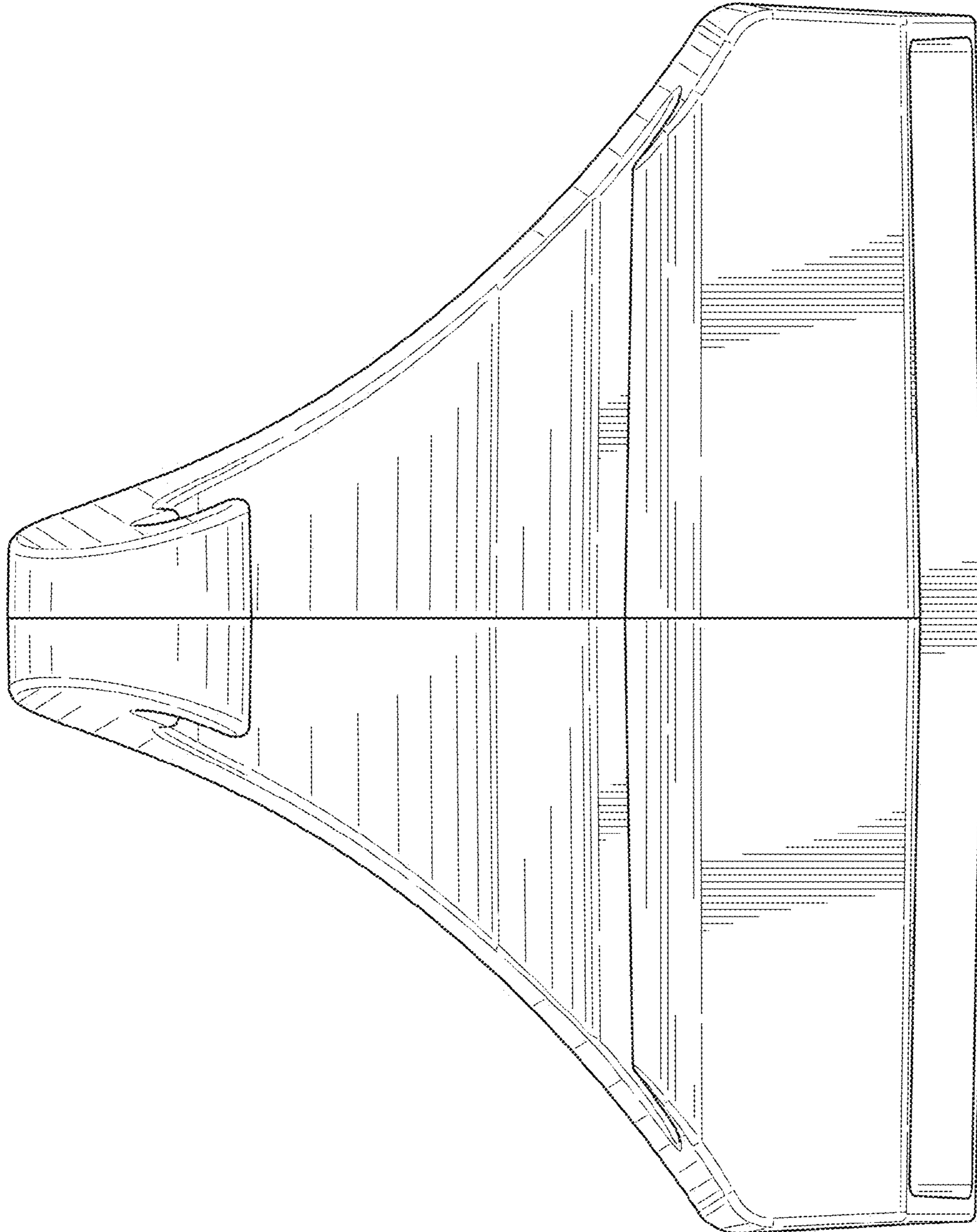


FIG. 3

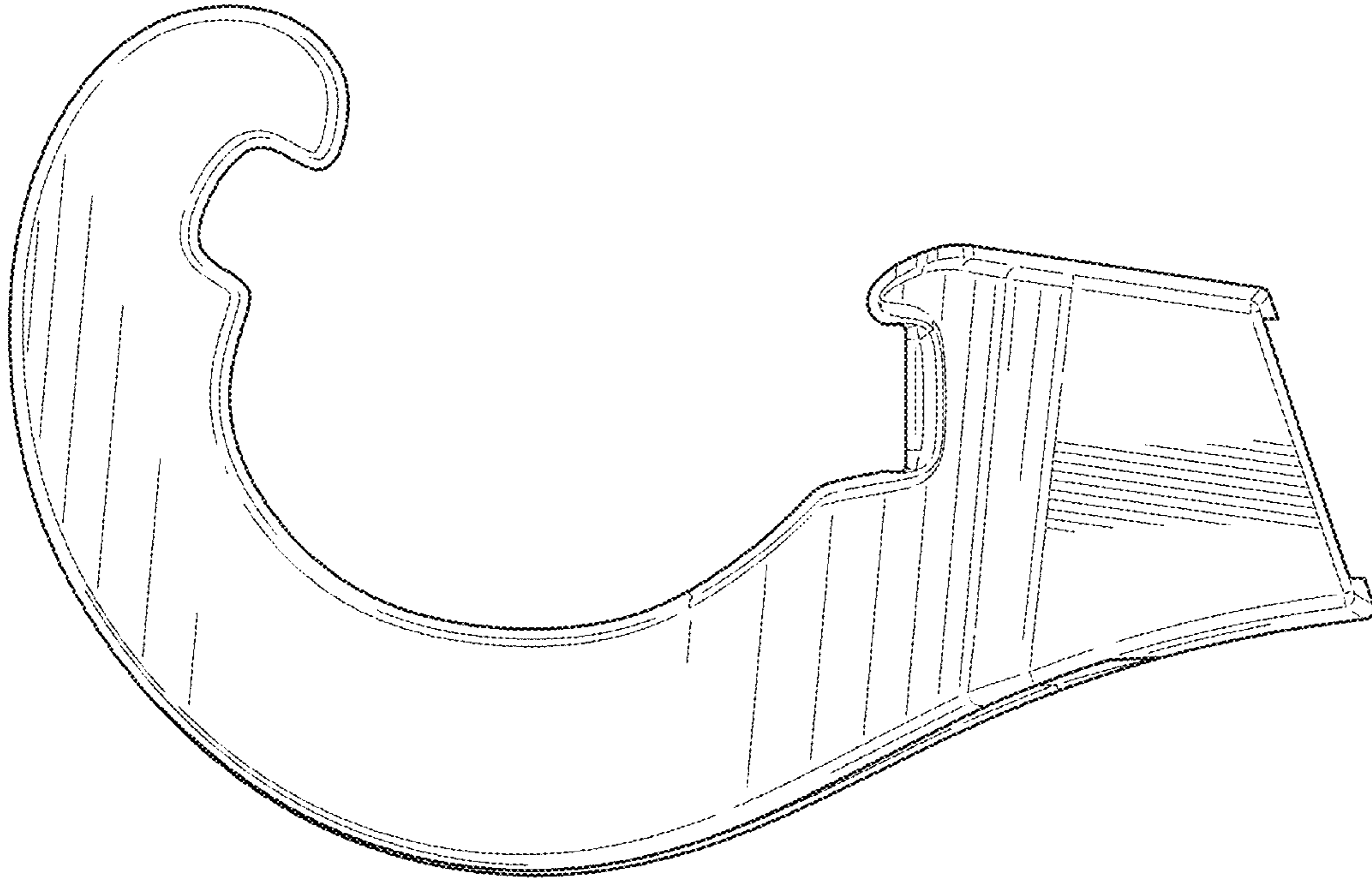


FIG. 6

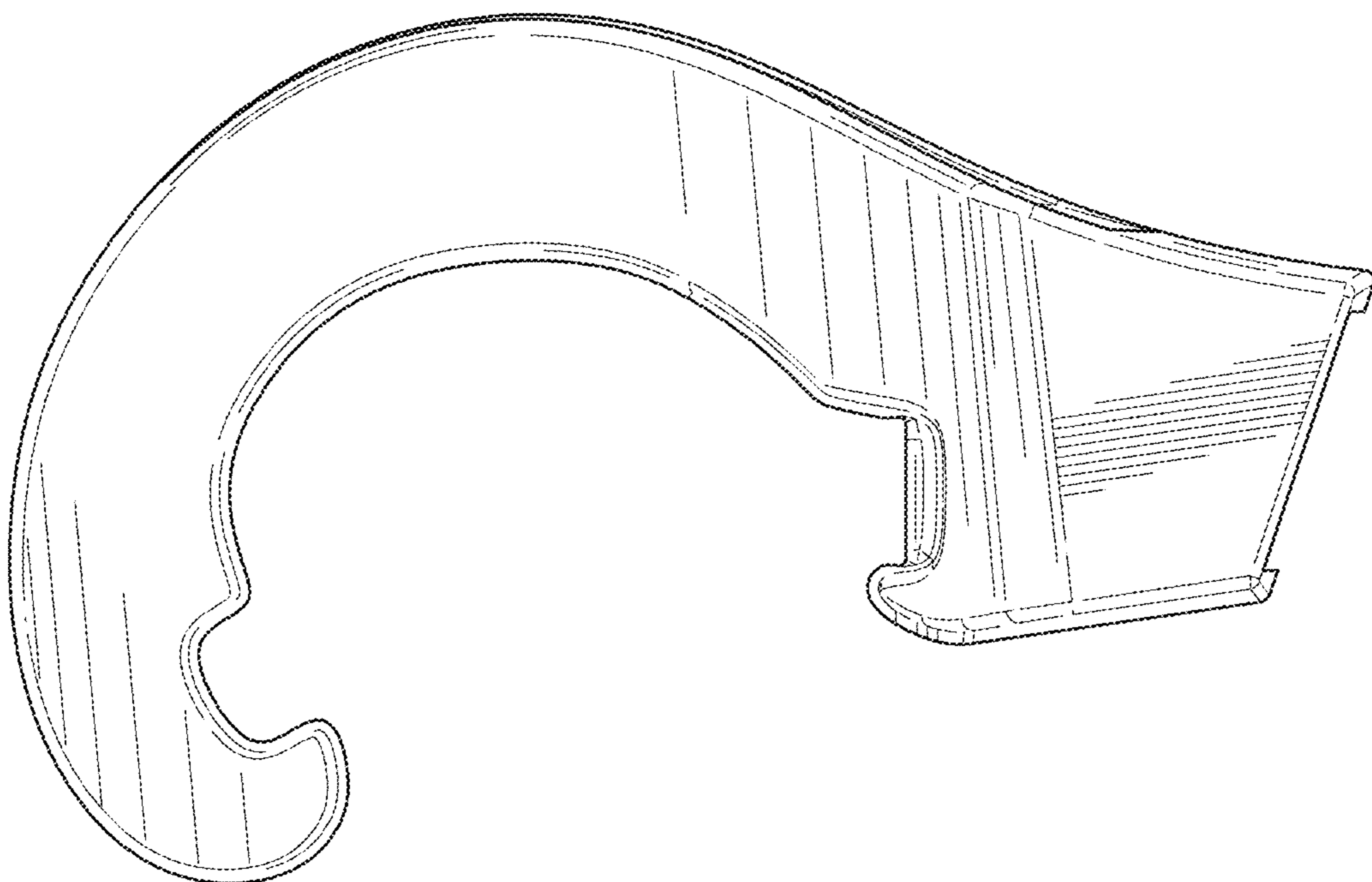


FIG. 4

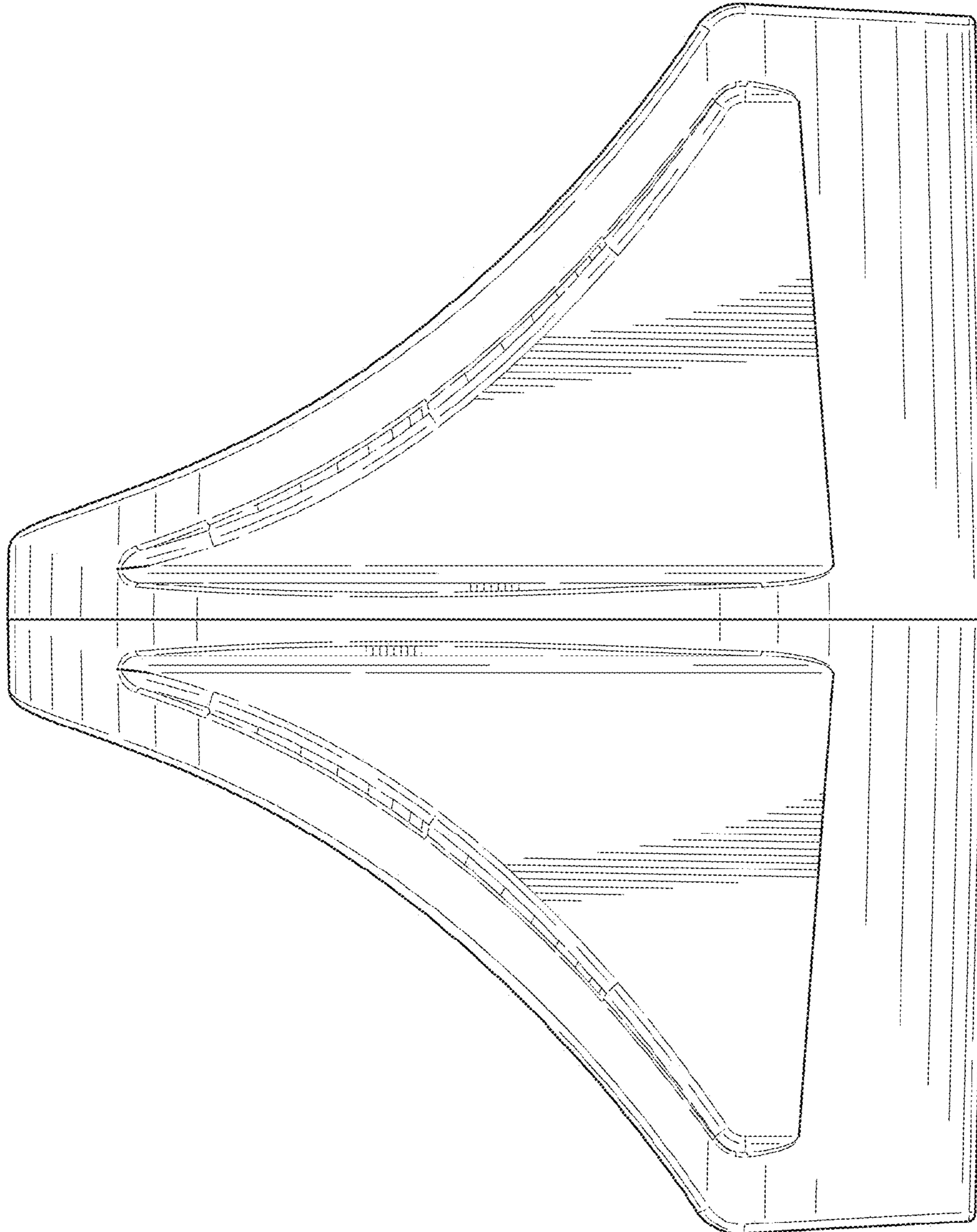


FIG. 5

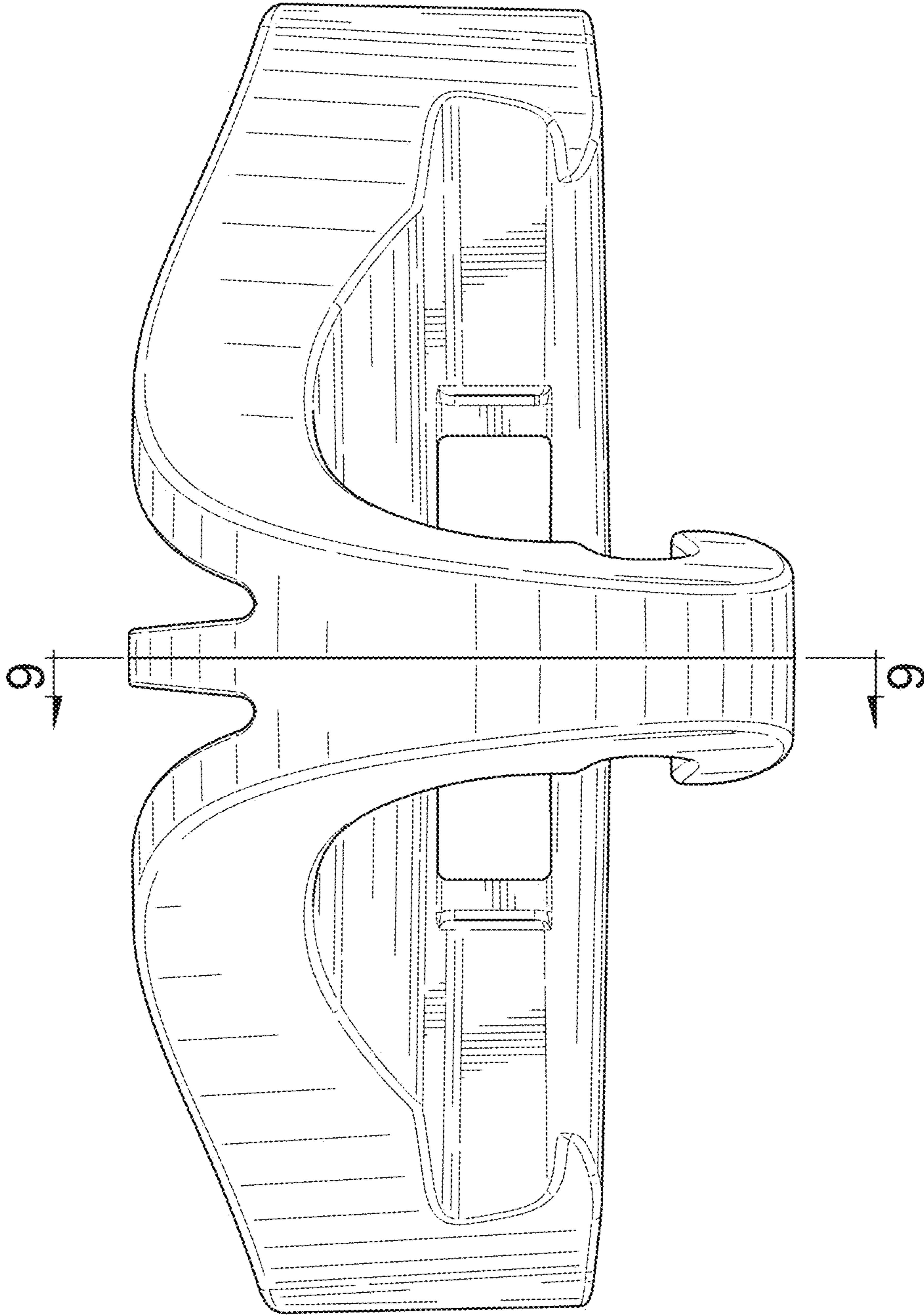


FIG. 7

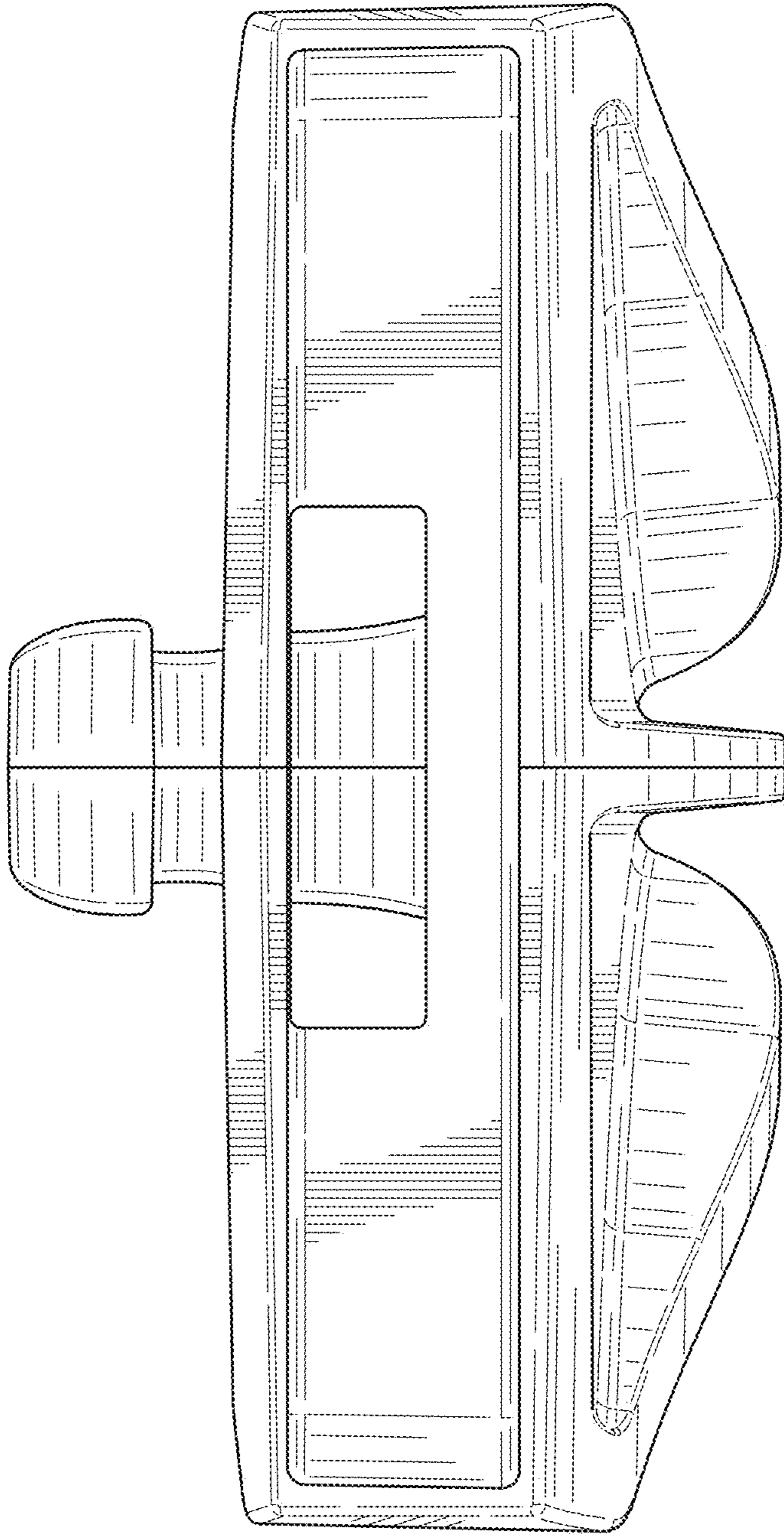


FIG. 8

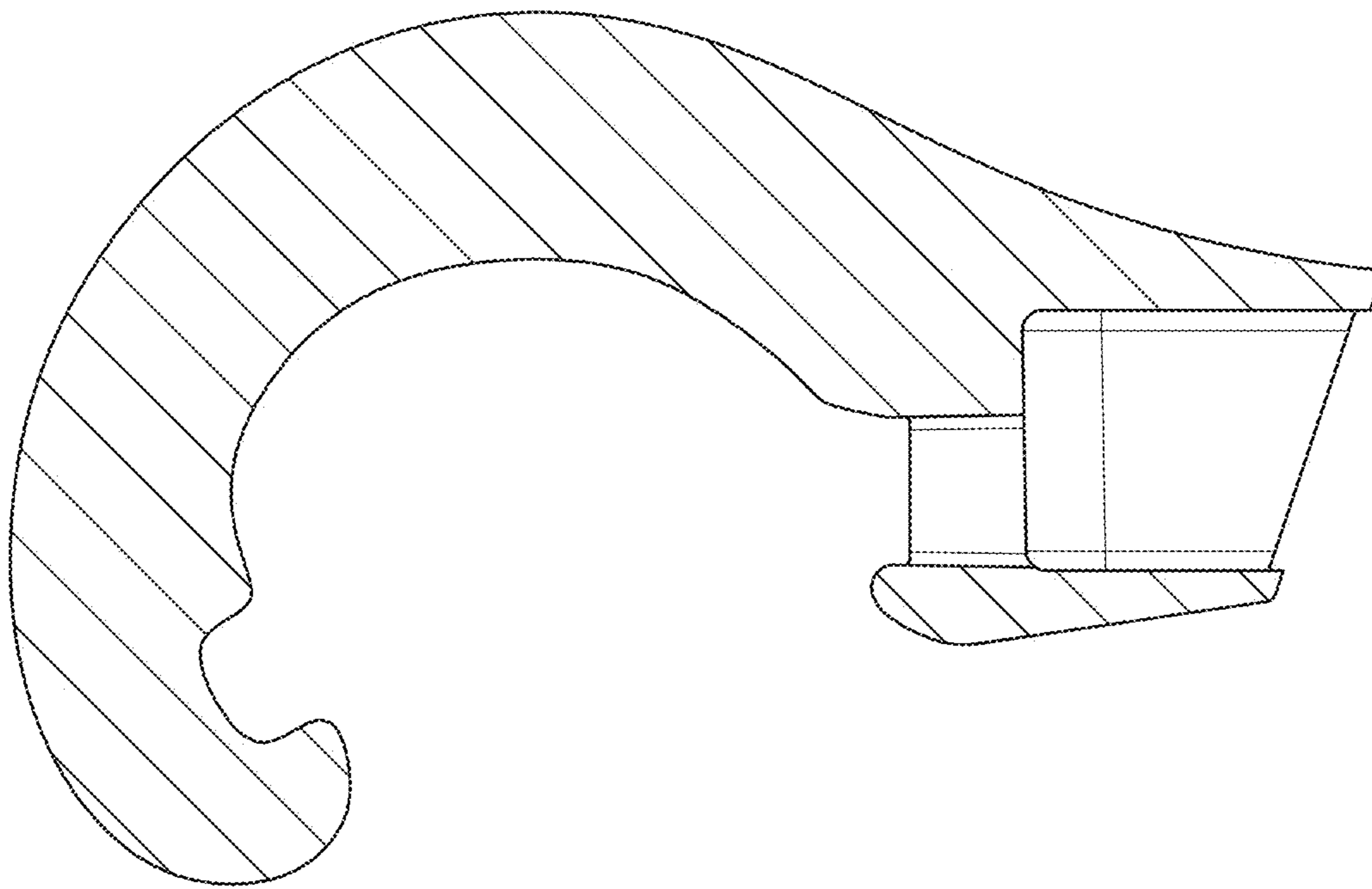


FIG. 9