



US00D971008S

(12) **United States Design Patent** (10) **Patent No.:** **US D971,008 S**
Yamazaki et al. (45) **Date of Patent:** **** Nov. 29, 2022**

(54) **WATER PUMP PULLEY**

(71) Applicant: **YAMADA MANUFACTURING Co., Ltd.**, Kiryu (JP)

(72) Inventors: **Takashi Yamazaki**, Kiryu (JP); **Ichiro Takayama**, Kiryu (JP); **Tomokazu Sato**, Kiryu (JP)

(73) Assignee: **YAMADA MANUFACTURING CO., LTD.**, Kiryu (JP)

(**) Term: **15 Years**

(21) Appl. No.: **29/752,161**

(22) Filed: **Sep. 25, 2020**

(30) **Foreign Application Priority Data**

Mar. 25, 2020 (JP) 2020-005635 D

(51) **LOC (13) Cl.** **08-05**

(52) **U.S. Cl.**
USPC **D8/360**

(58) **Field of Classification Search**
USPC D8/360, 356, 354, 349; 474/176
CPC A63B 29/00; A63B 27/00
See application file for complete search history.

(56) **References Cited**

U.S. PATENT DOCUMENTS

D293,881 S * 1/1988 Hartlmeier D8/360
5,454,760 A * 10/1995 Aranibar F16H 55/44
474/181
D436,023 S * 1/2001 Johnson D8/360
D459,197 S * 6/2002 Hodjat D8/360
D481,615 S * 11/2003 Hodjat D8/360

(Continued)

Primary Examiner — Cynthia R Underwood

(74) *Attorney, Agent, or Firm* — Rankin, Hill & Clark LLP

(57) **CLAIM**

The ornamental design for a water pump pulley, as shown and described.

DESCRIPTION

FIG. 1 is a front isometric view of our new design for a water pump pulley;

FIG. 2 is a bottom perspective view thereof;

FIG. 3 is a front view thereof;

FIG. 4 is a rear view thereof;

FIG. 5 is a left side view thereof;

FIG. 6 is a right side view thereof;

FIG. 7 is plan view thereof;

FIG. 8 is a bottom plan view thereof;

FIG. 9 is a cross sectional view taken along the line 9-9 of FIG. 3;

FIG. 10 is a front isometric view of only the claimed portion thereof;

FIG. 11 is a bottom isometric view of only the claimed portion thereof;

FIG. 12 is a front view of only the claimed portion thereof;

FIG. 13 is a rear view of only the claimed portion thereof;

FIG. 14 is a left side view of only the claimed portion thereof;

FIG. 15 is a right side view of only the claimed portion thereof;

FIG. 16 is a top plan view of only the claimed portion thereof;

FIG. 17 is a bottom plan view of only the claimed portion thereof;

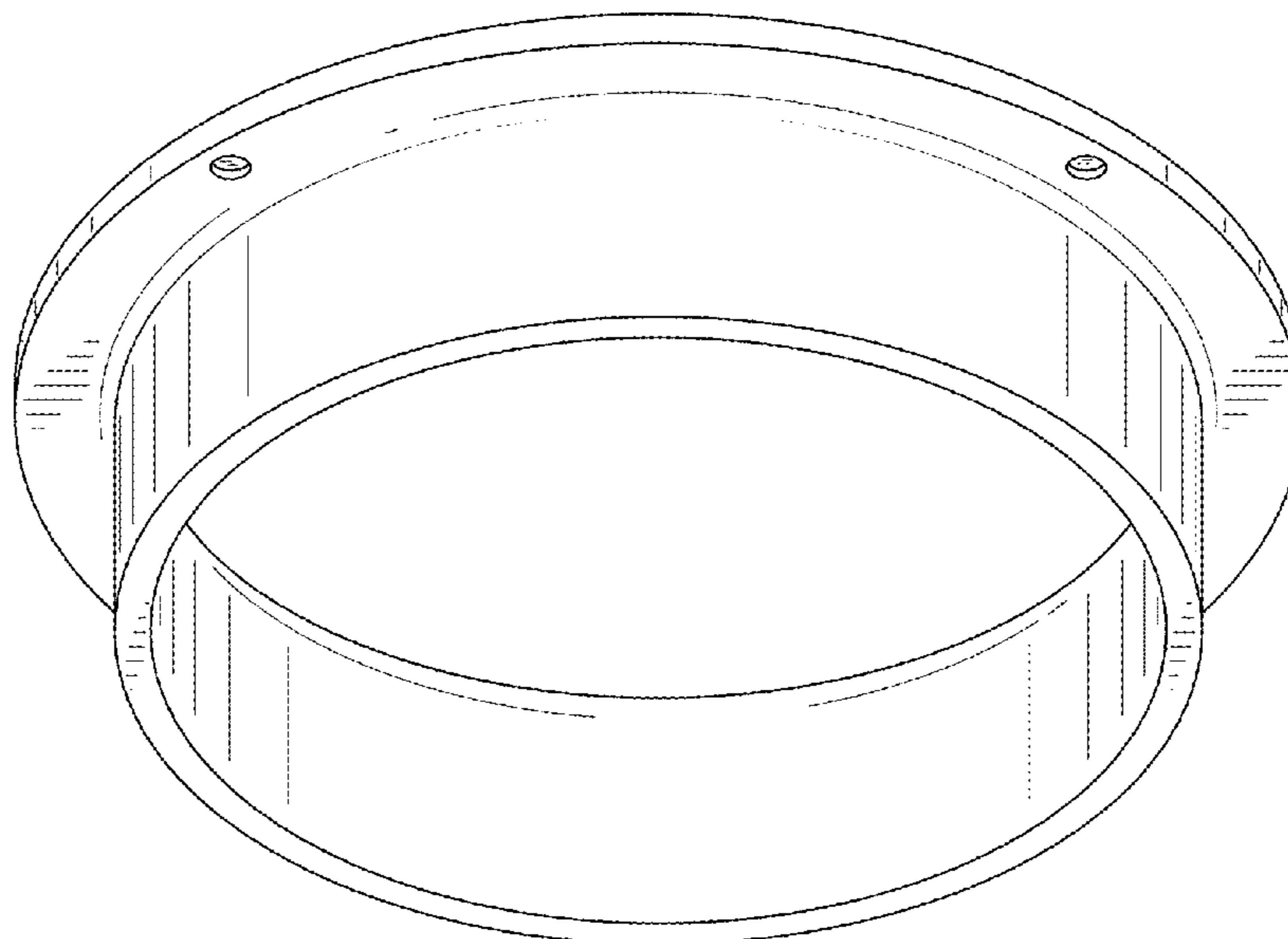
FIG. 18 is a cross sectional view taken along the line 18-18 of FIG. 12;

FIG. 19 is a top view illustrating environmental structure surrounding the water pump pulley; and,

FIG. 20 is a cross sectional view taken along the line 20-20 of FIG. 19.

The broken lines depict an environment of use and form no part of the claim.

1 Claim, 16 Drawing Sheets



(56)

References Cited

U.S. PATENT DOCUMENTS

D533,052 S *	12/2006	Hodjat	D8/360
D534,788 S *	1/2007	Stewart	D8/360
D548,059 S *	8/2007	Dyson	D8/360
D645,334 S *	9/2011	Kanemitsu	D8/360
D708,507 S *	7/2014	Fretz	D8/360
D920,083 S *	5/2021	Yu	D8/360
D950,362 S *	5/2022	Franta	D8/360

* cited by examiner

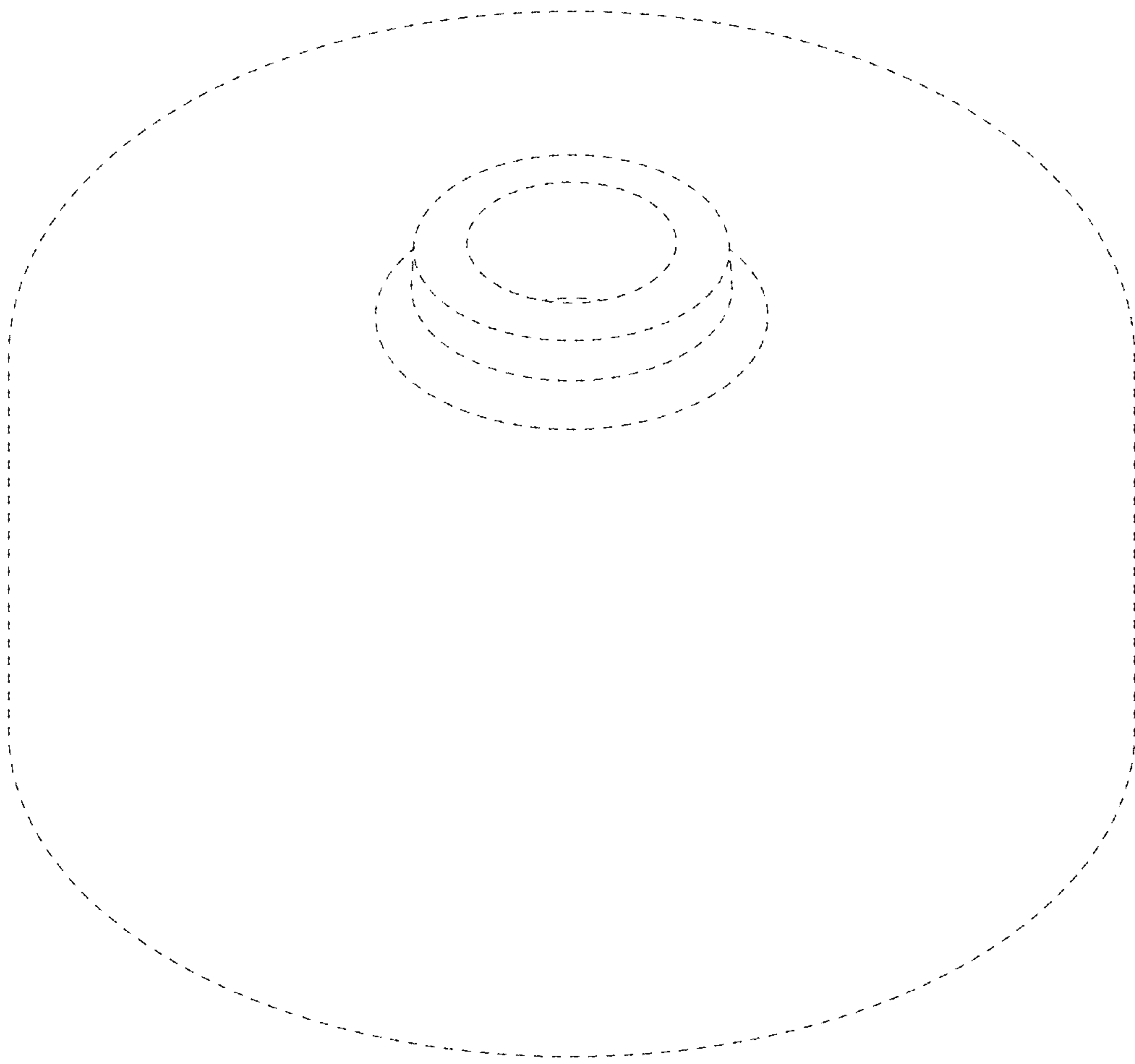


FIG. 1

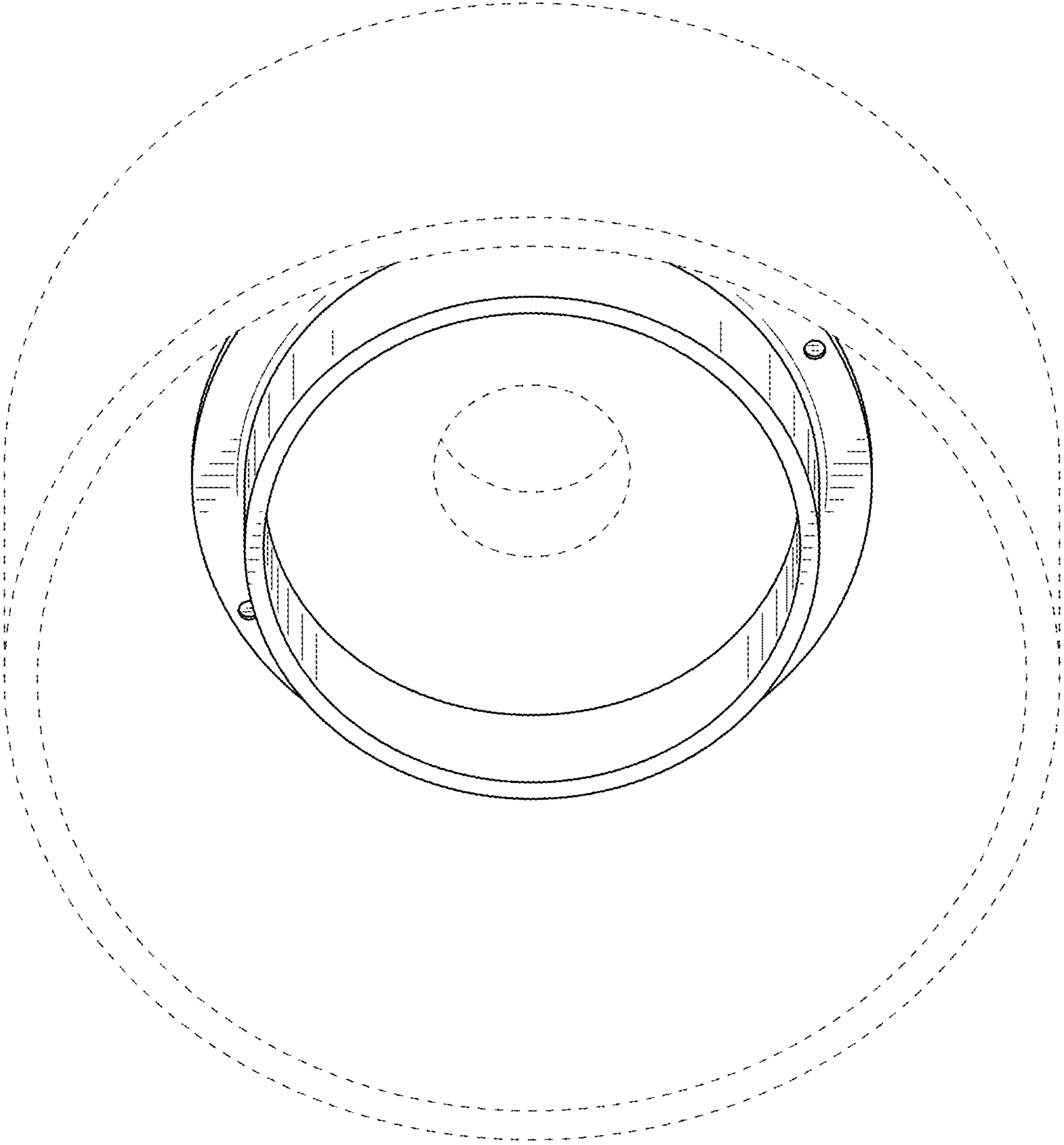


FIG. 2

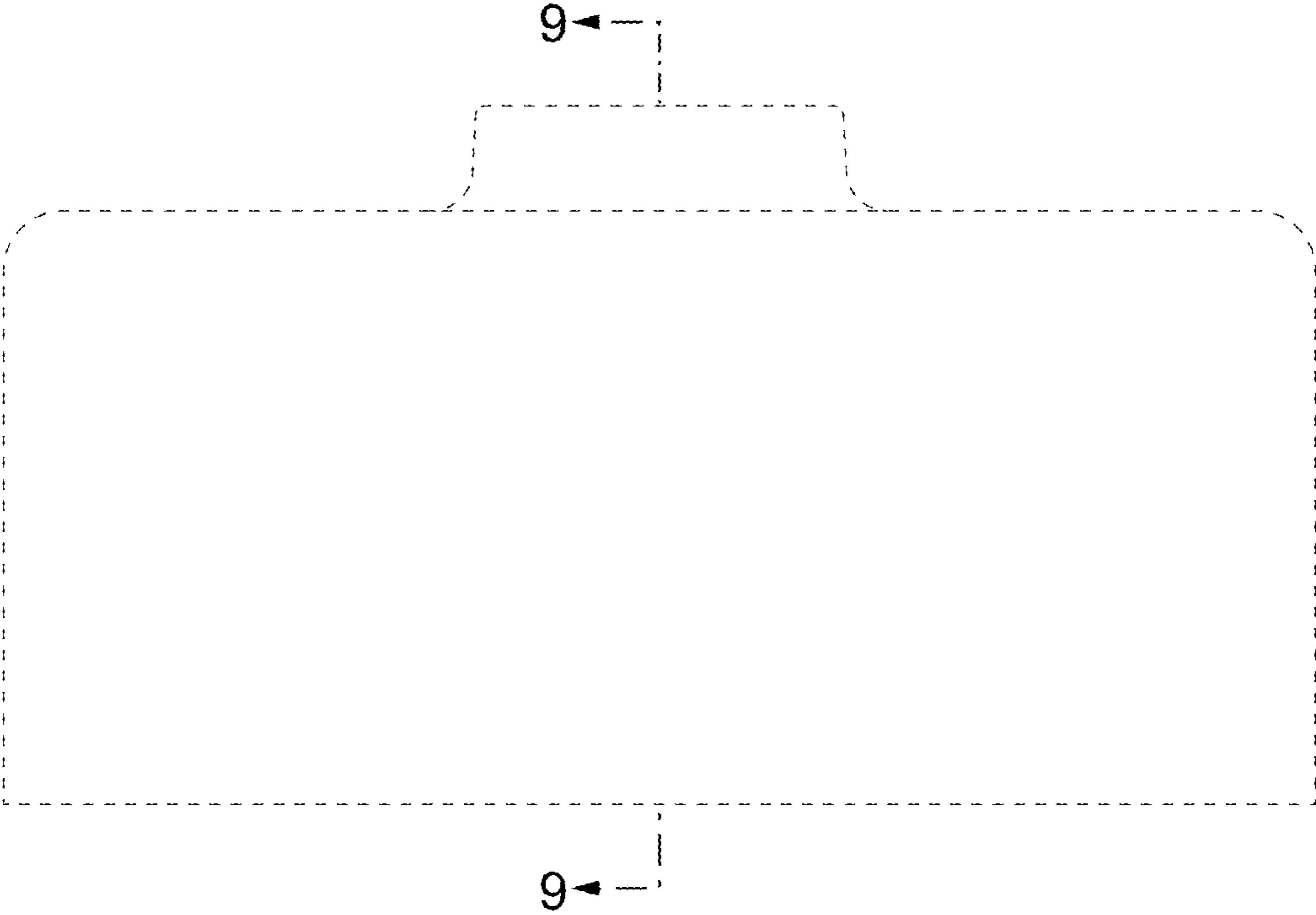


FIG. 3

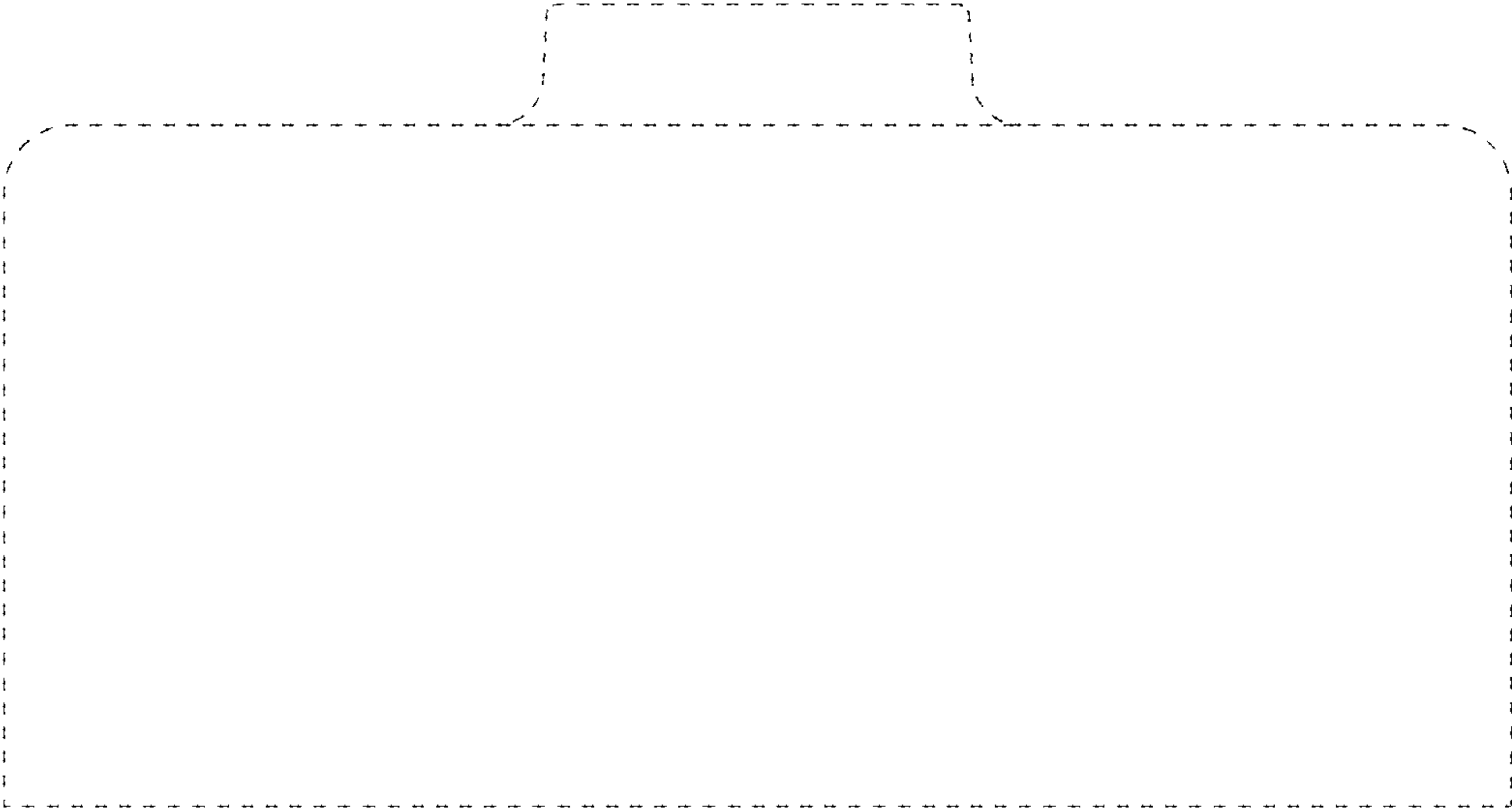


FIG. 4

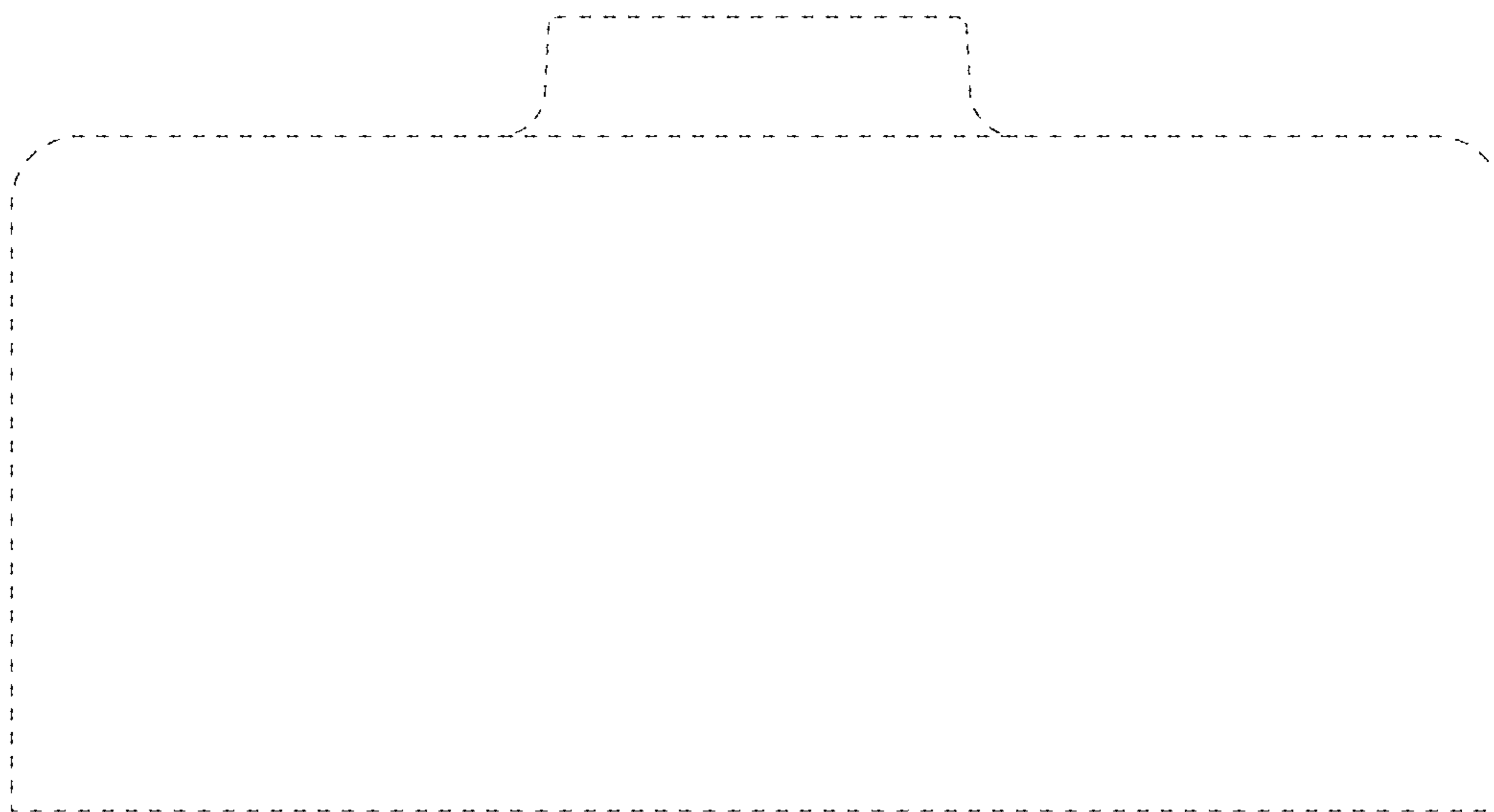


FIG. 5

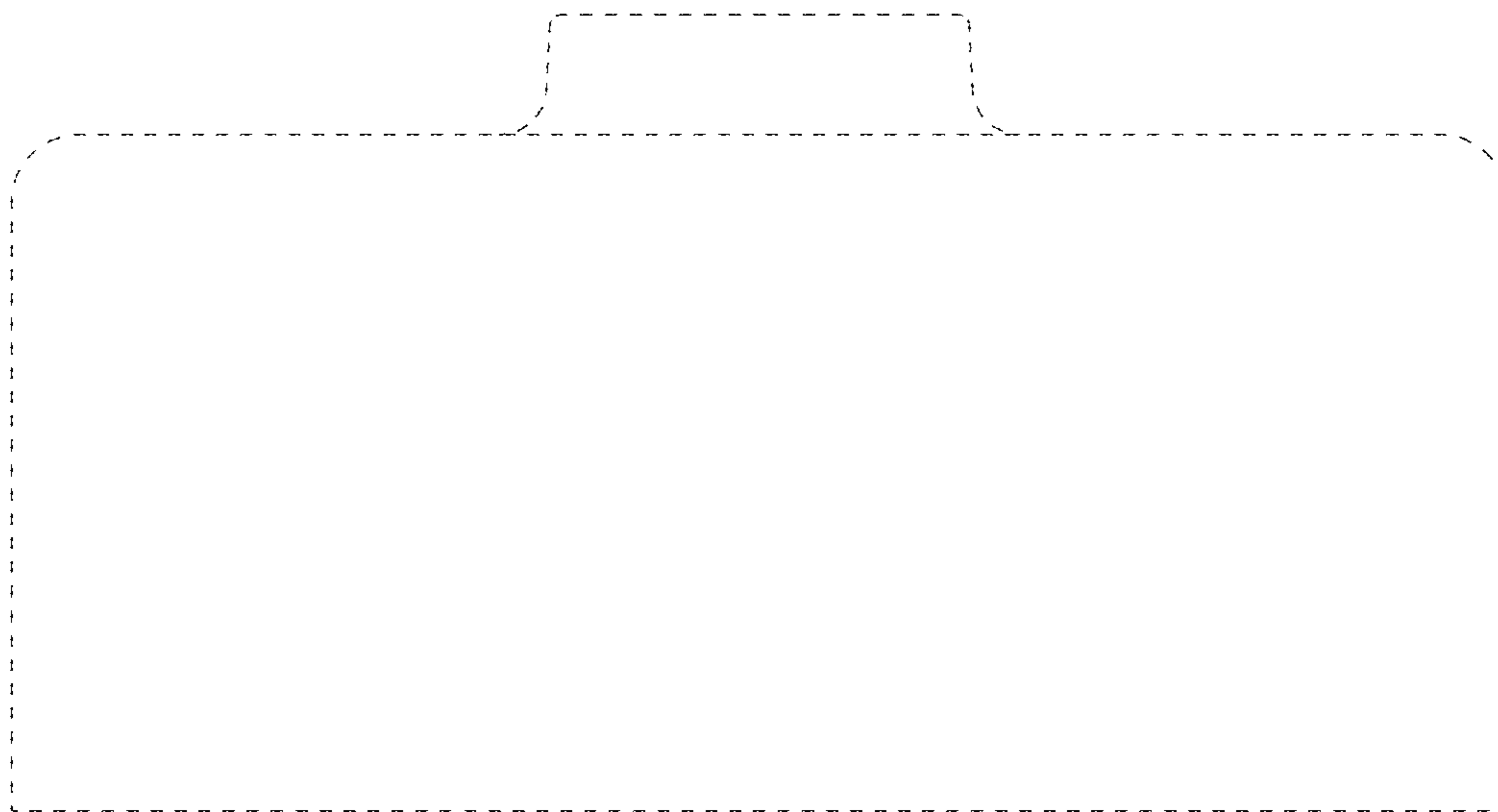


FIG. 6

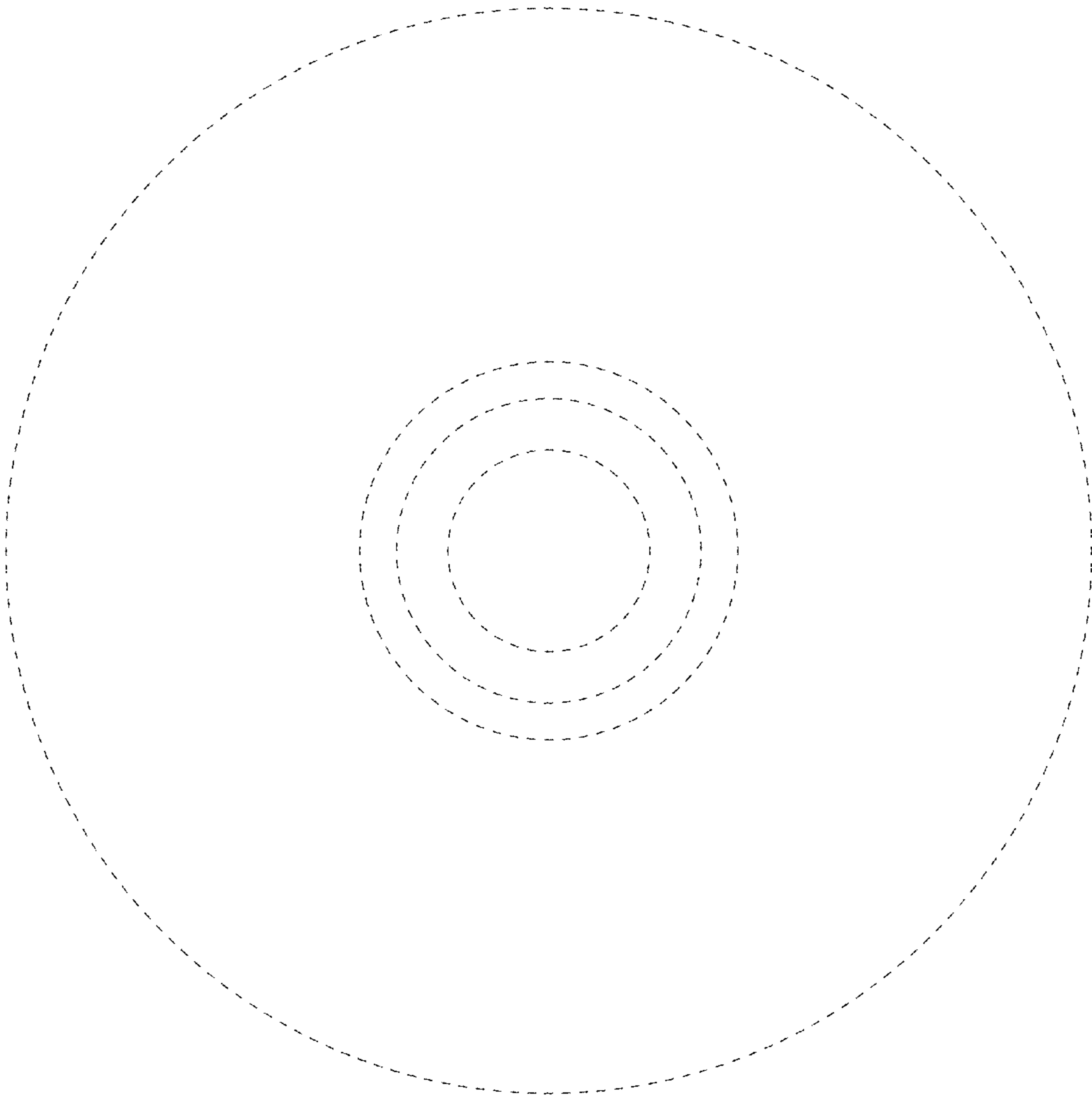


FIG. 7

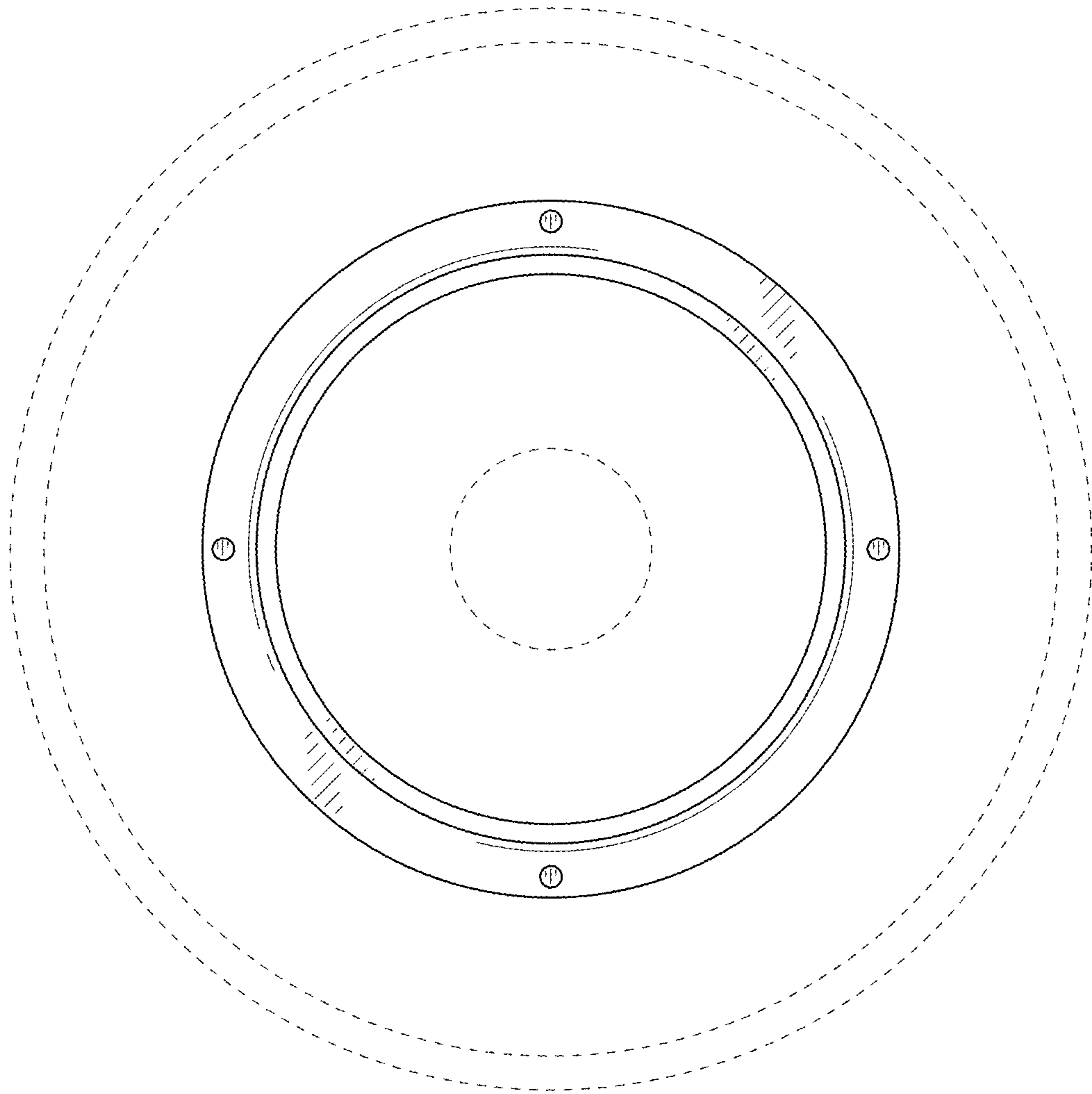


FIG. 8

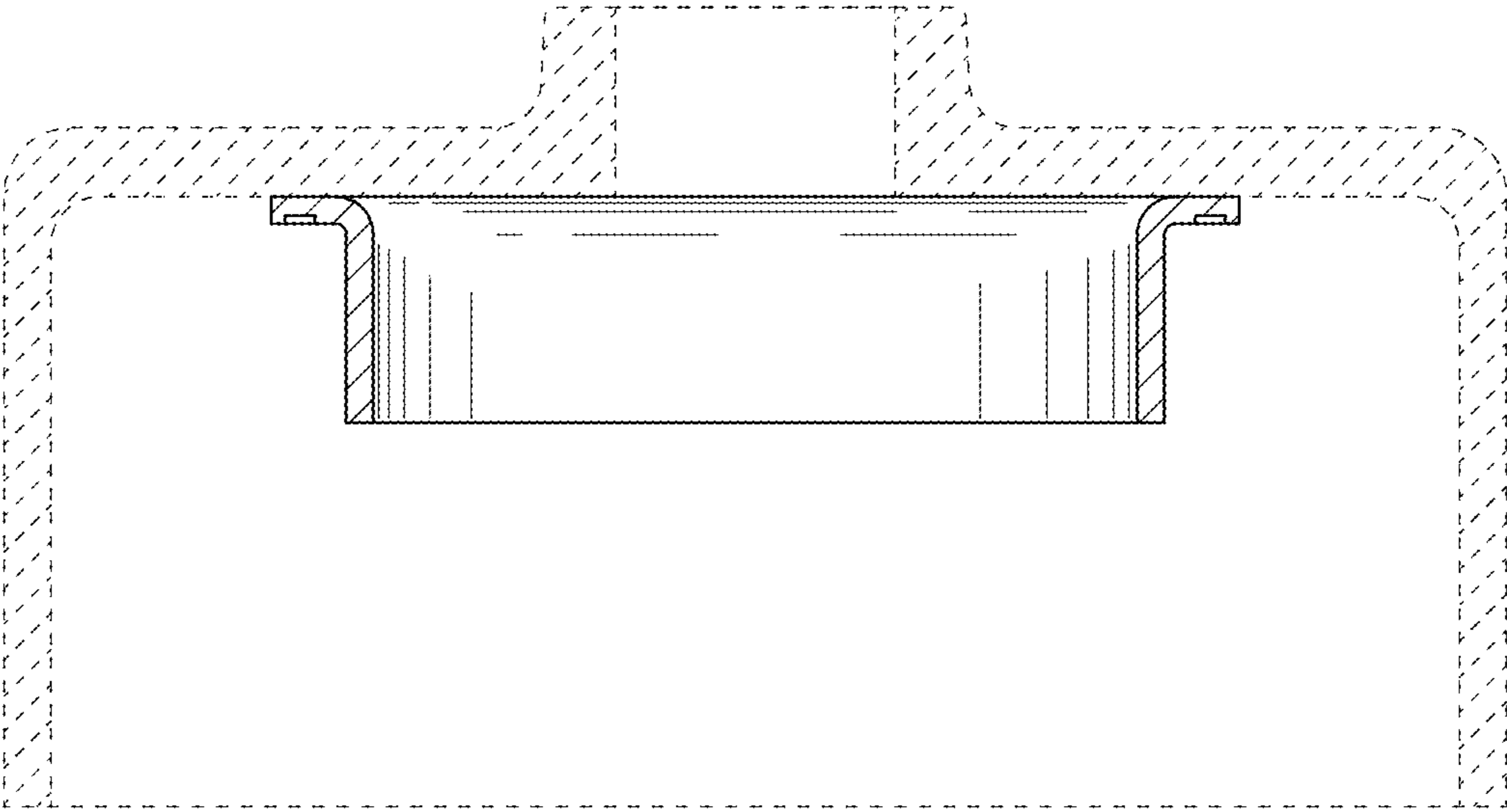


FIG. 9

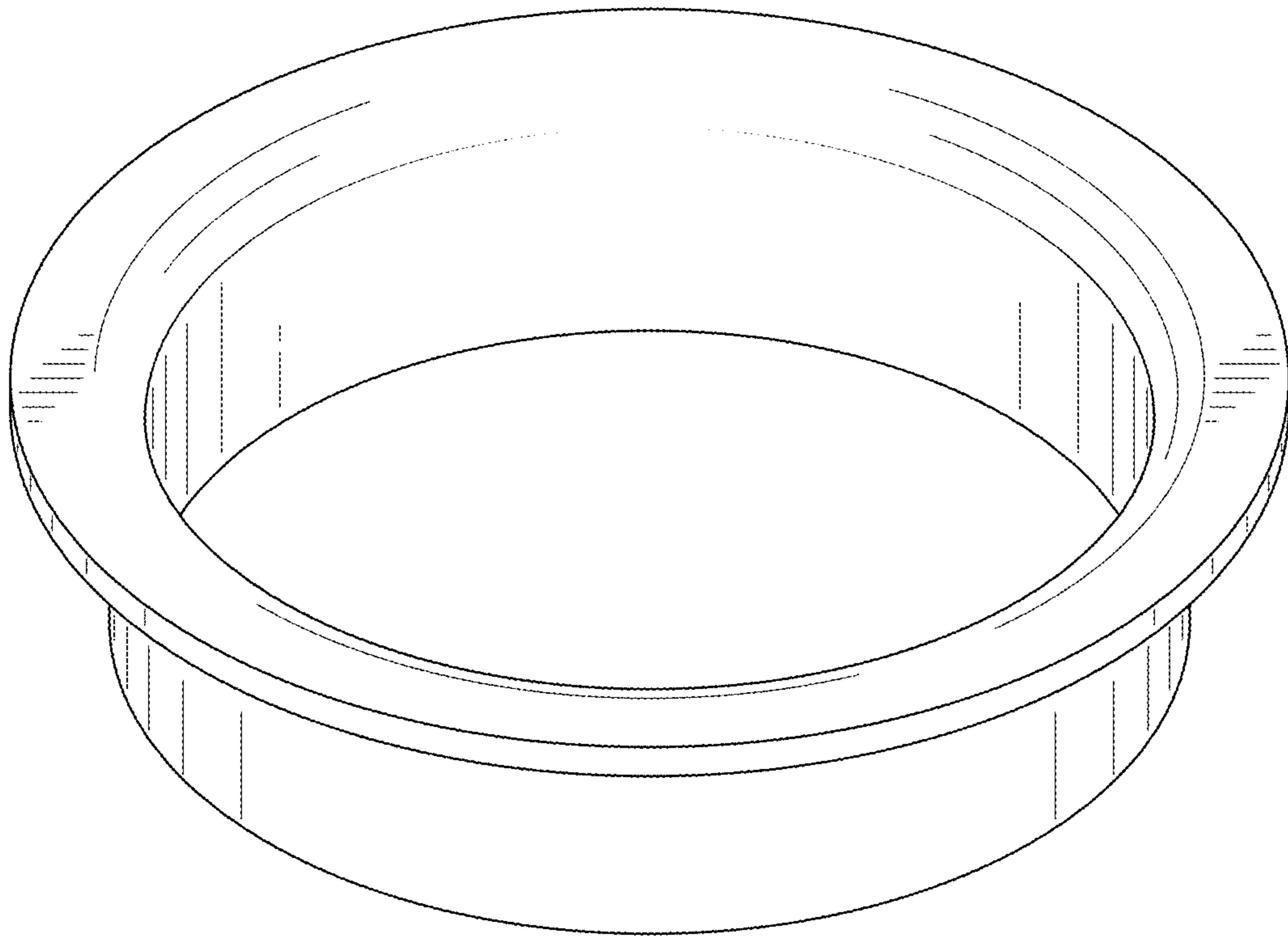


FIG. 10

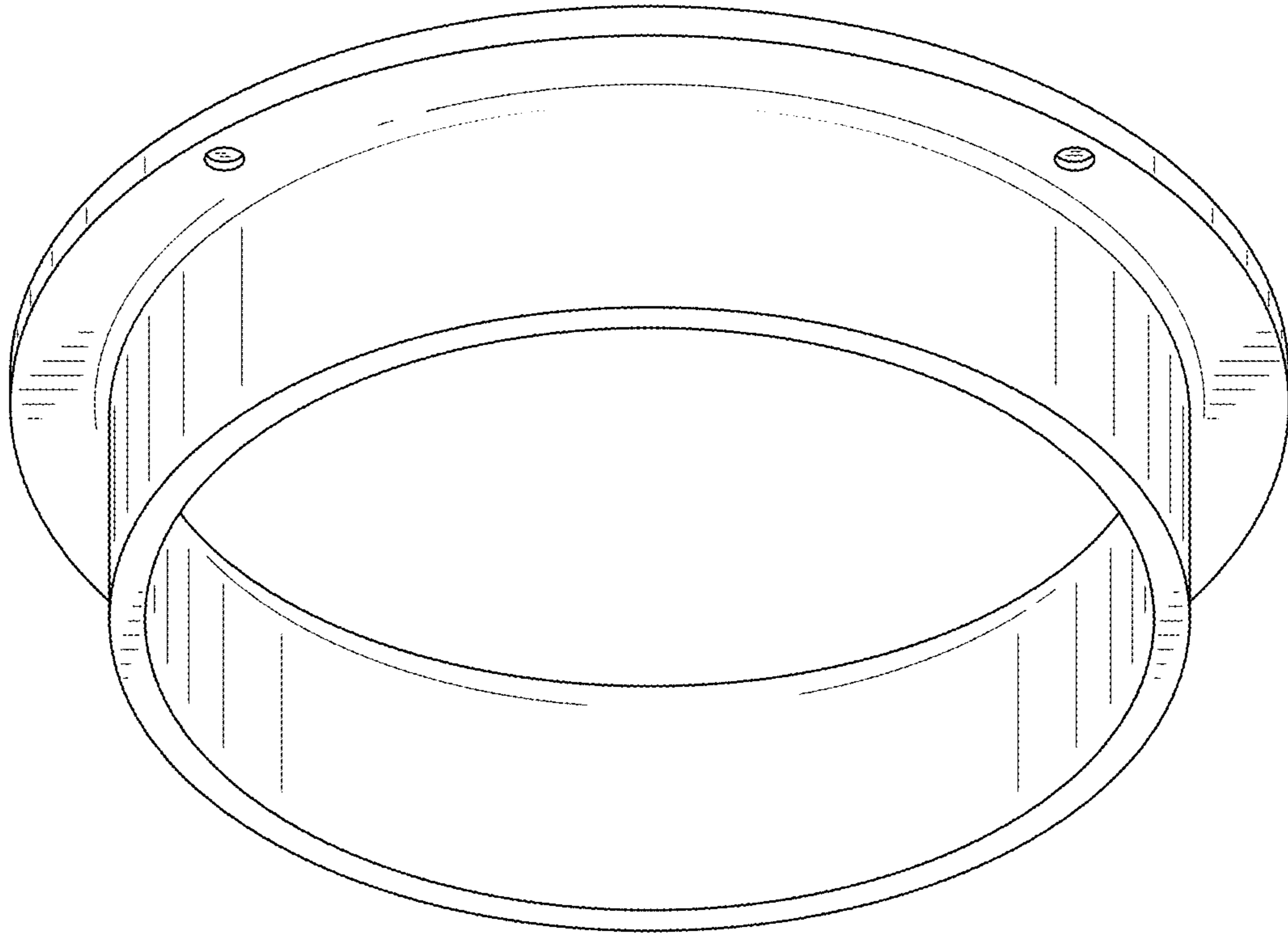


FIG. 11

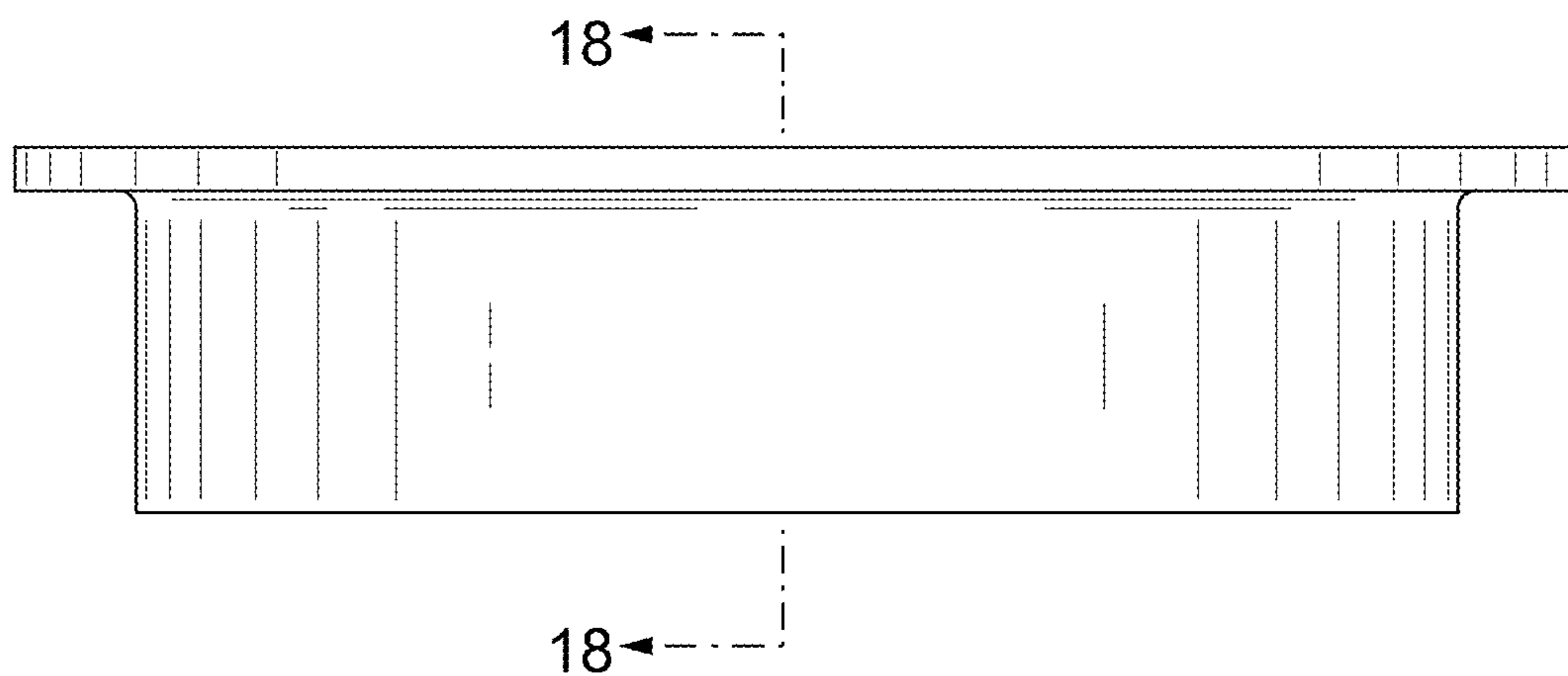


FIG. 12

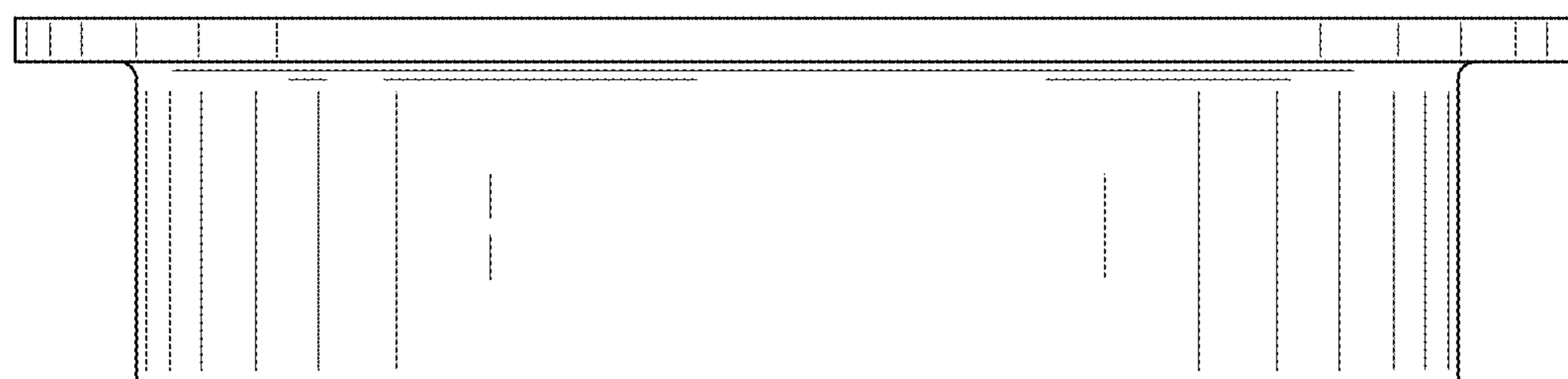


FIG. 13

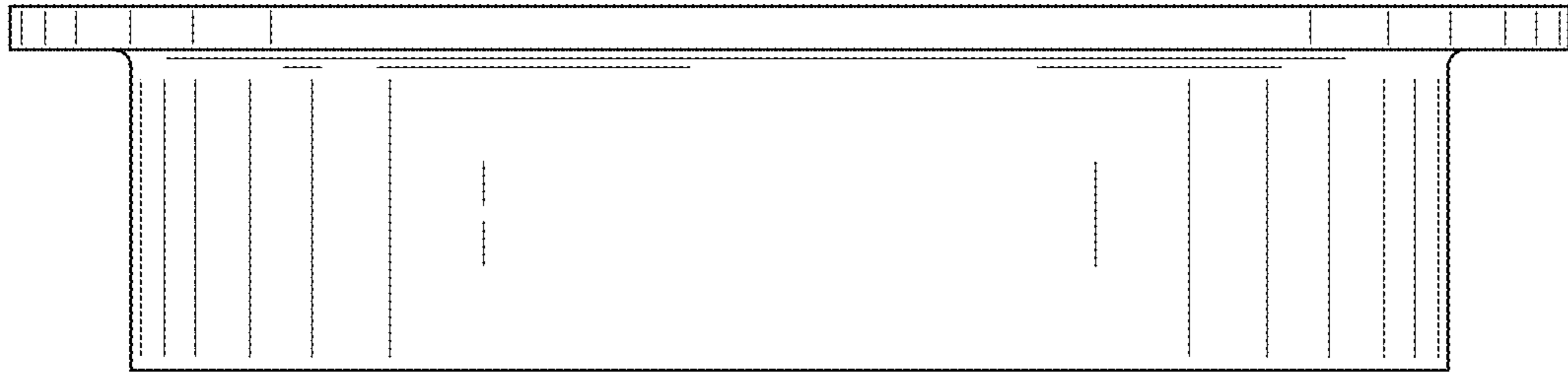


FIG. 14

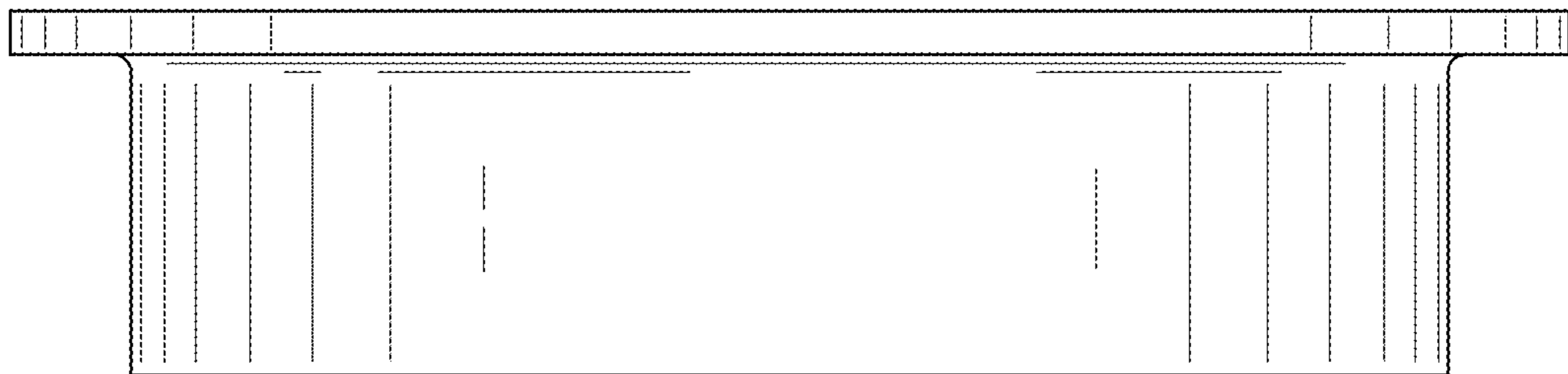


FIG. 15

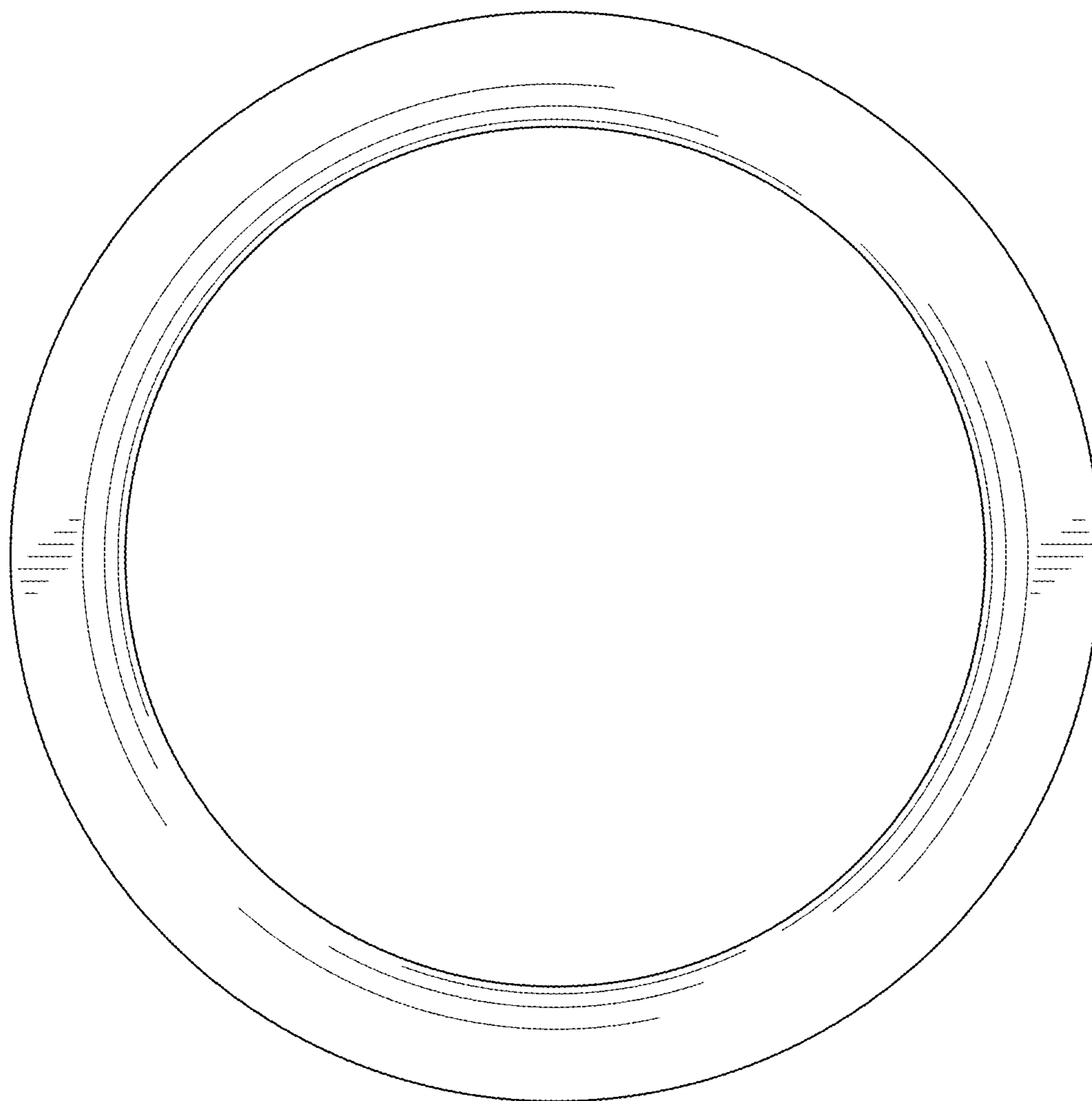


FIG. 16

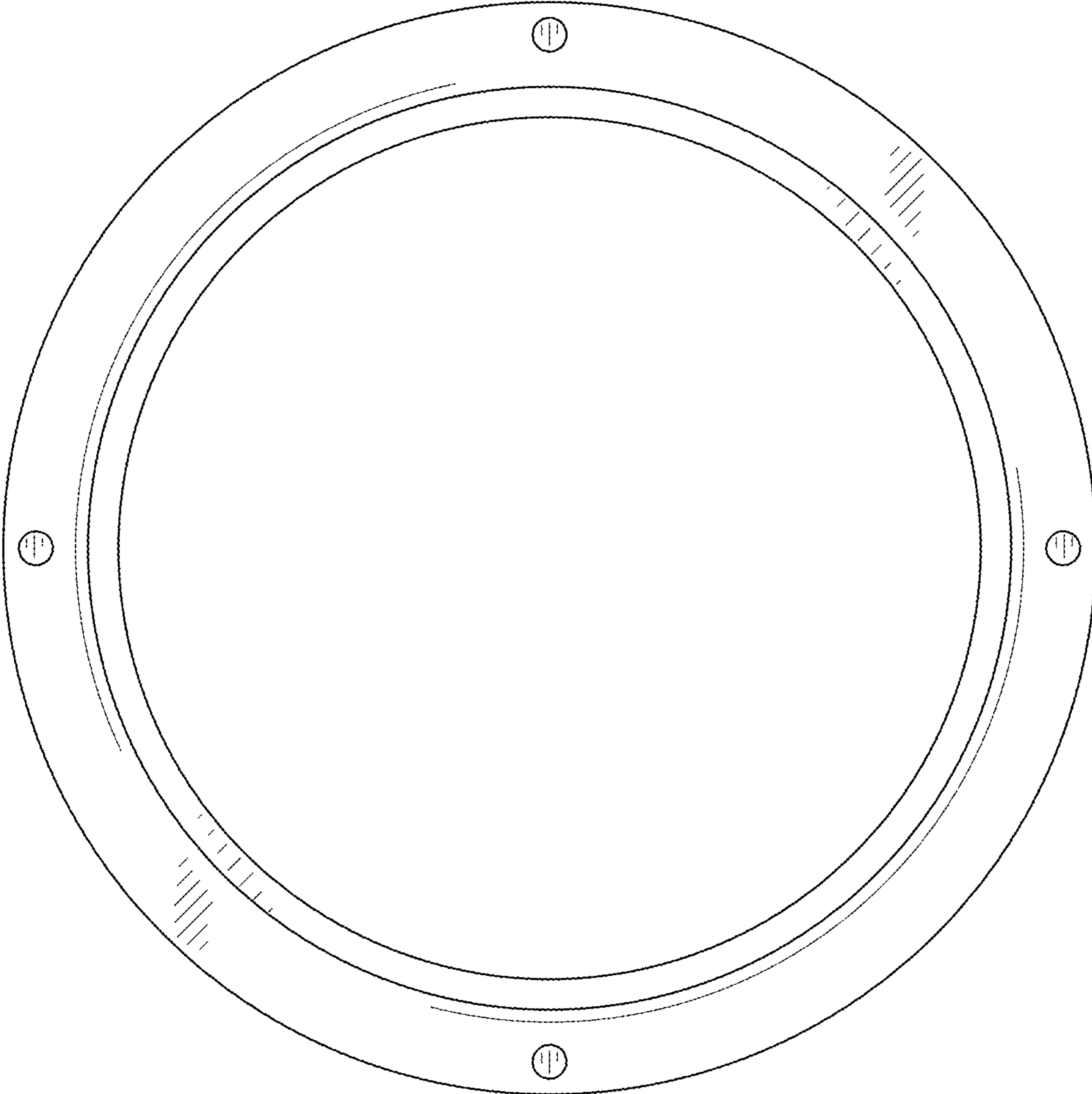


FIG. 17

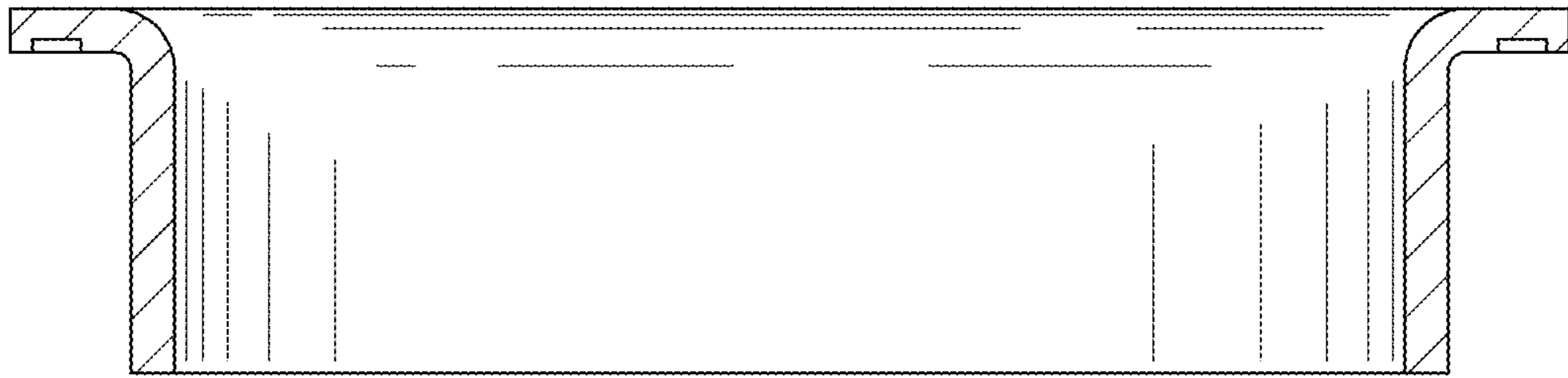


FIG. 18

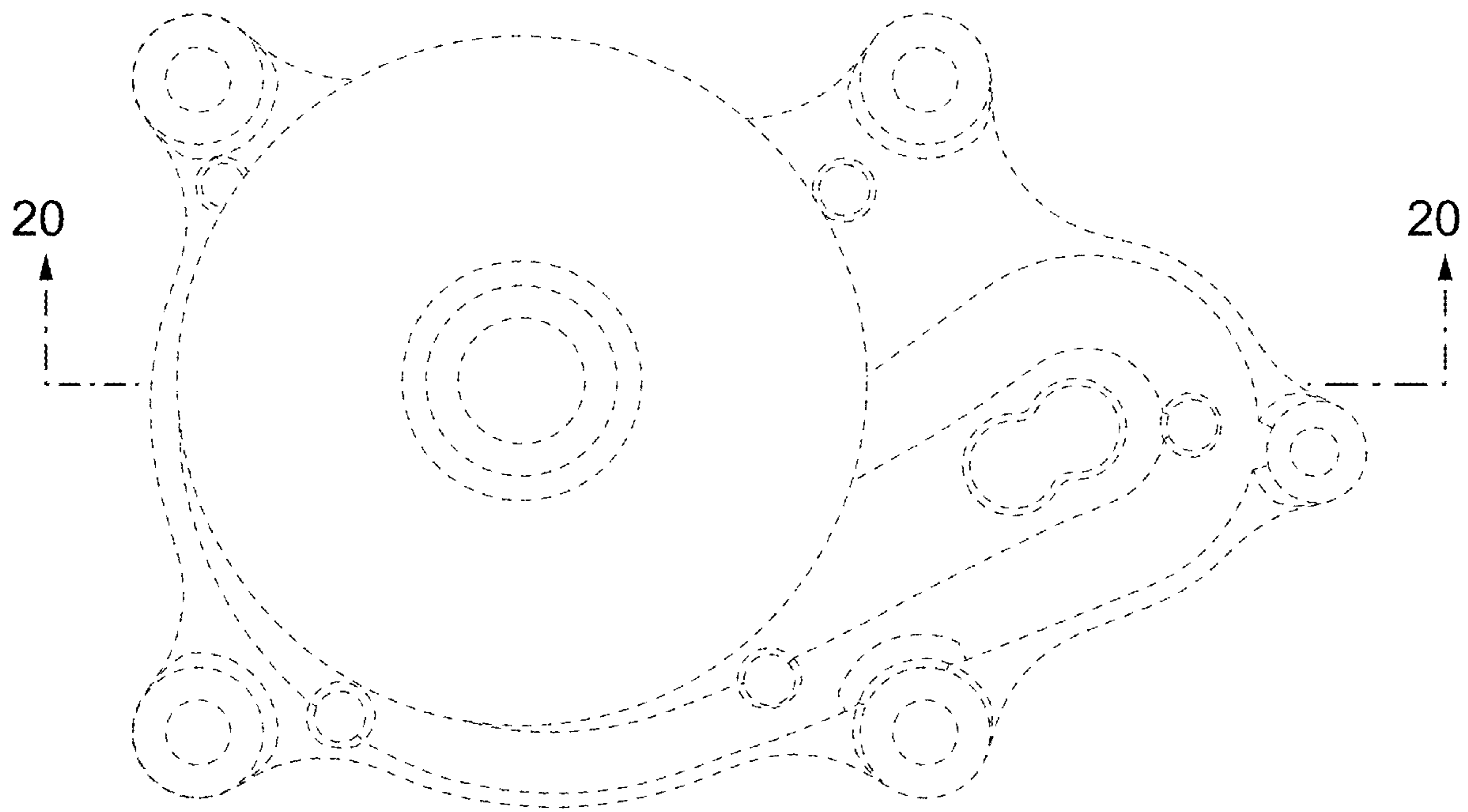


FIG. 19

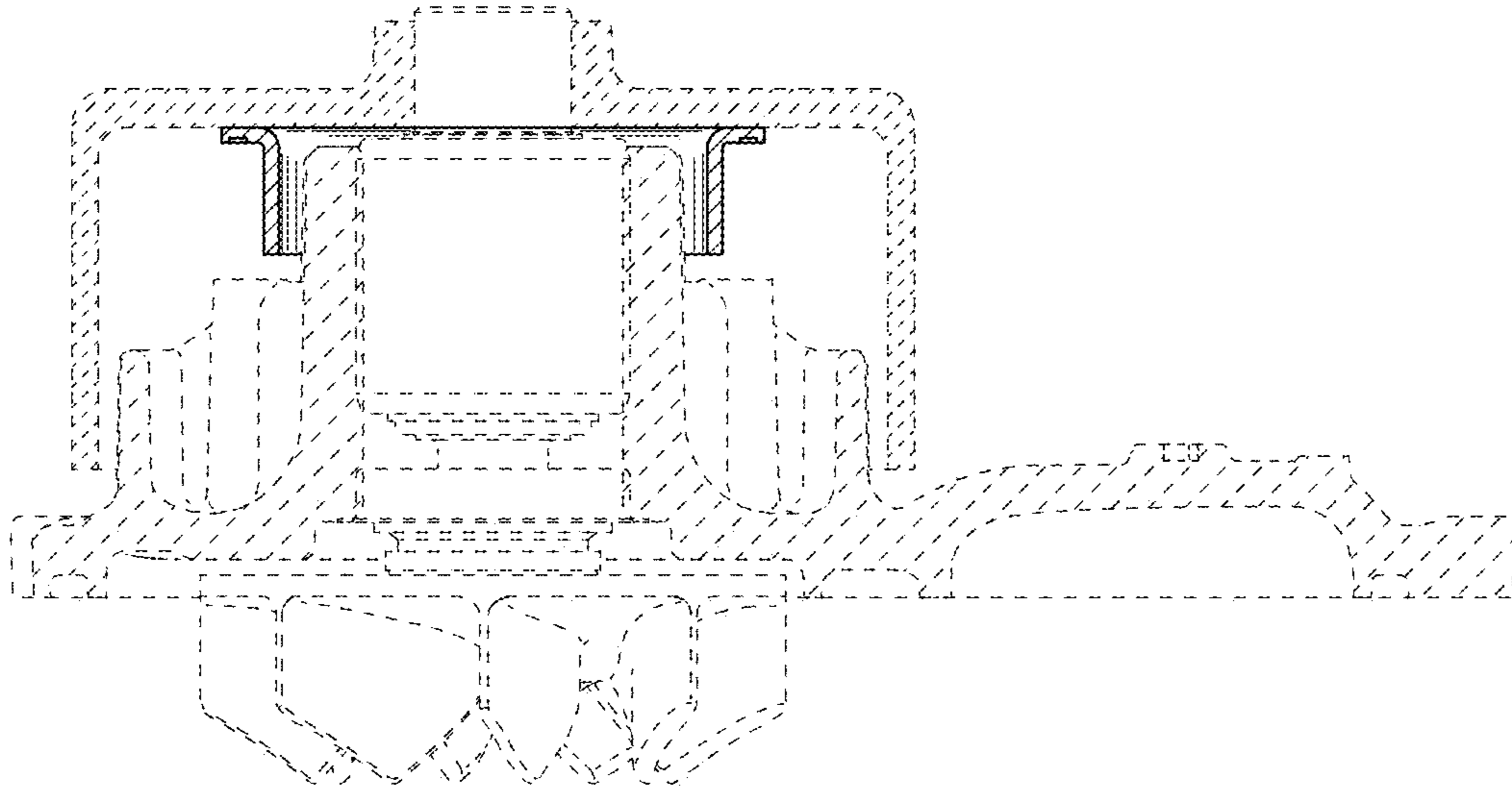


FIG. 20