



US00D971006S

(12) **United States Design Patent**
Schwartz

(10) **Patent No.:** **US D971,006 S**

(45) **Date of Patent:** **** Nov. 29, 2022**

(54) **UNDERGROUND PLUMBING TARGET**

(71) Applicant: **Curtis Alan Schwartz**, Las Vegas, NV
(US)

(72) Inventor: **Curtis Alan Schwartz**, Las Vegas, NV
(US)

(**) Term: **15 Years**

(21) Appl. No.: **29/776,951**

(22) Filed: **Apr. 1, 2021**

(51) **LOC (13) Cl.** **08-05**

(52) **U.S. Cl.**
USPC **D8/354**

(58) **Field of Classification Search**

USPC D8/354, 358, 363, 366, 373, 375, 379,
D8/382, 400-402, 404, 499, 46, 300,
D8/321-322, 383-384, 387, 397, 399,
D8/356, 364-365, 374, 376-377,
D8/380-381; D11/89, 132, 93, 79, 80;
D12/223, 414, 400, 406; D25/61, 102,
D25/119-122, 133, 138, 140, 164, 199;
D9/443-445, 454
CPC F16L 3/00; F16L 3/003; F16L 3/01; F16L
3/2235; F16L 3/227

See application file for complete search history.

(56) **References Cited**

U.S. PATENT DOCUMENTS

3,815,250 A 6/1974 Roodvoets
4,061,322 A 12/1977 Le Blanc
5,050,824 A 9/1991 Hubbard
D356,243 S * 3/1995 Eckerman D8/373
D362,382 S 9/1995 Cloud
D421,120 S * 2/2000 Brotspies D9/434
6,077,000 A * 6/2000 Gibbons B23B 47/28
33/645
D435,541 S * 12/2000 Kataoka D3/218

6,158,066 A 12/2000 Brown et al.
D489,960 S 5/2004 Grendahl
6,945,735 B1 9/2005 Doverspike
8,226,051 B2 7/2012 Brown et al.
D670,996 S * 11/2012 Rogers D8/349
8,376,290 B2 2/2013 Tollefson
D716,638 S 11/2014 McDonald
D747,941 S * 1/2016 Jenkinson F41A 35/00
D8/19
D791,394 S * 7/2017 Rashidi Doust D26/113
D829,140 S * 9/2018 Kittrell, Jr. D12/180
D850,240 S 6/2019 Breda
D870,543 S * 12/2019 Peyton D8/382
D871,351 S * 12/2019 Lee D13/156
D871,609 S * 12/2019 Isozaki D24/224
10,626,596 B2 4/2020 Espinosa
D889,335 S * 7/2020 Bowman D12/180
D905,552 S * 12/2020 Milbrandt D20/28
D934,141 S * 10/2021 Dvorak F16C 19/364
D12/180

(Continued)

Primary Examiner — Karen S Acker

Assistant Examiner — Elizabeth S Ko

(74) *Attorney, Agent, or Firm* — Goldstein Law Offices,
P.C.

(57) **CLAIM**

The ornamental design for an underground plumbing target,
as shown and described.

DESCRIPTION

FIG. 1 is a perspective view of an underground plumbing target;

FIG. 2 is a front elevational view of the underground plumbing target.

FIG. 3 is a rear elevational view thereof.

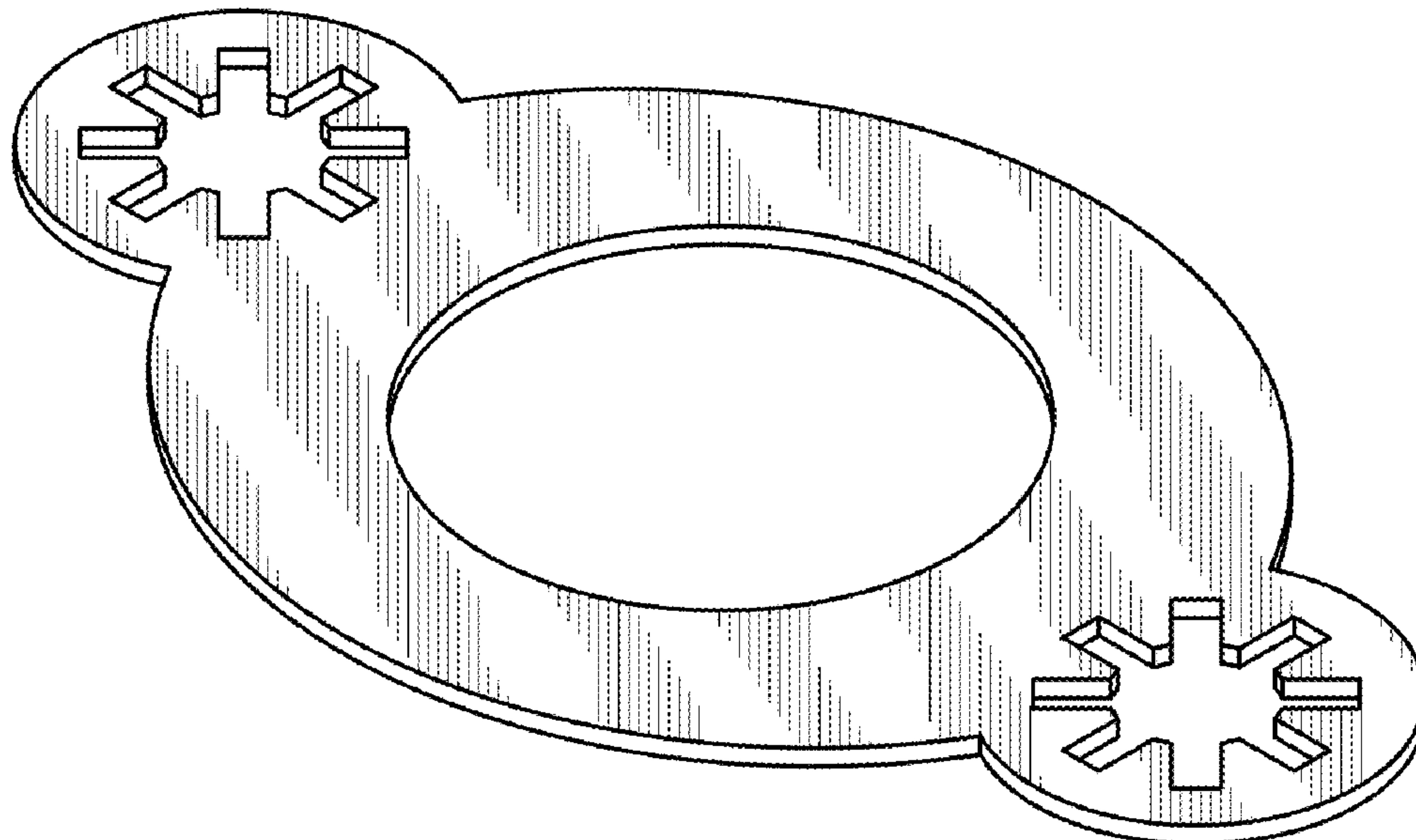
FIG. 4 is a top plan view thereof.

FIG. 5 is a bottom plan view thereof.

FIG. 6 is a left side elevational view thereof; and,

FIG. 7 is a right side elevational view thereof.

1 Claim, 4 Drawing Sheets



(56)

References Cited

U.S. PATENT DOCUMENTS

D948,330 S * 4/2022 Langenwalter D8/396
D951,064 S * 5/2022 Frelich D8/354
D957,627 S * 7/2022 Pinholt D24/118
D957,937 S * 7/2022 Milbrandt D20/28
2012/0159758 A1 6/2012 Griffith
2019/0376622 A1 12/2019 Thuston et al.
2022/0102951 A1* 3/2022 Badrenas B60R 16/0215

* cited by examiner

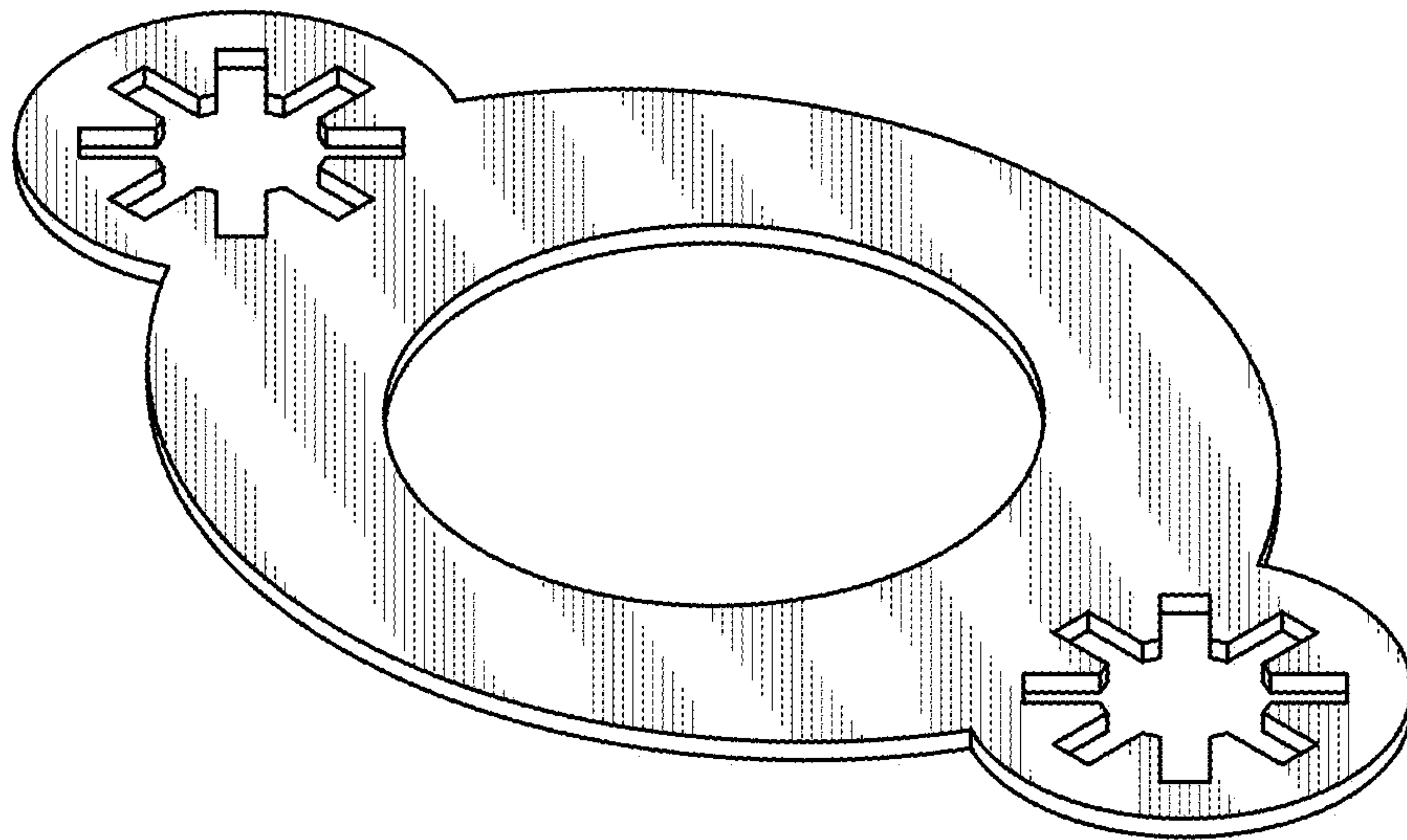


FIG. 1



FIG. 2



FIG. 3

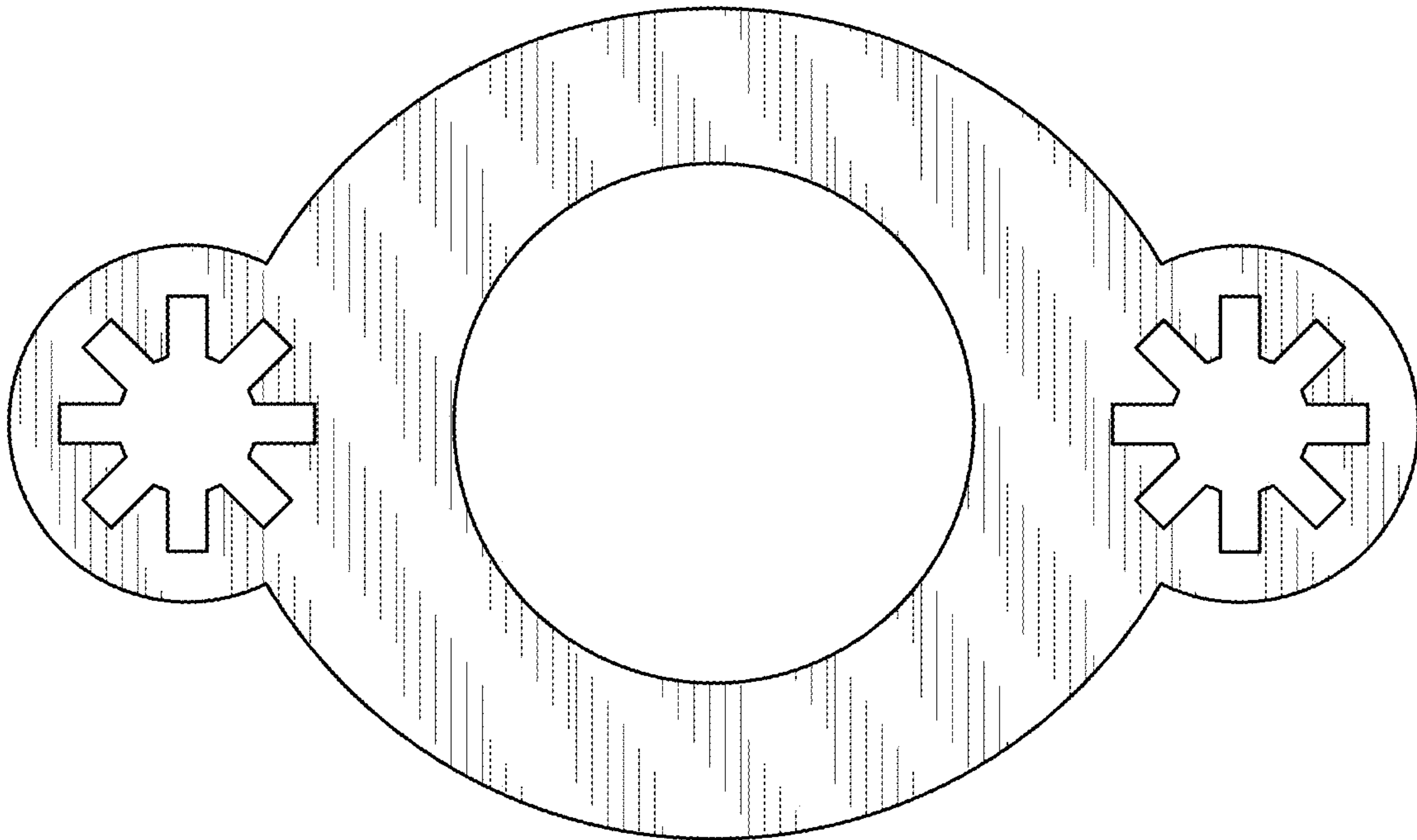


FIG. 4

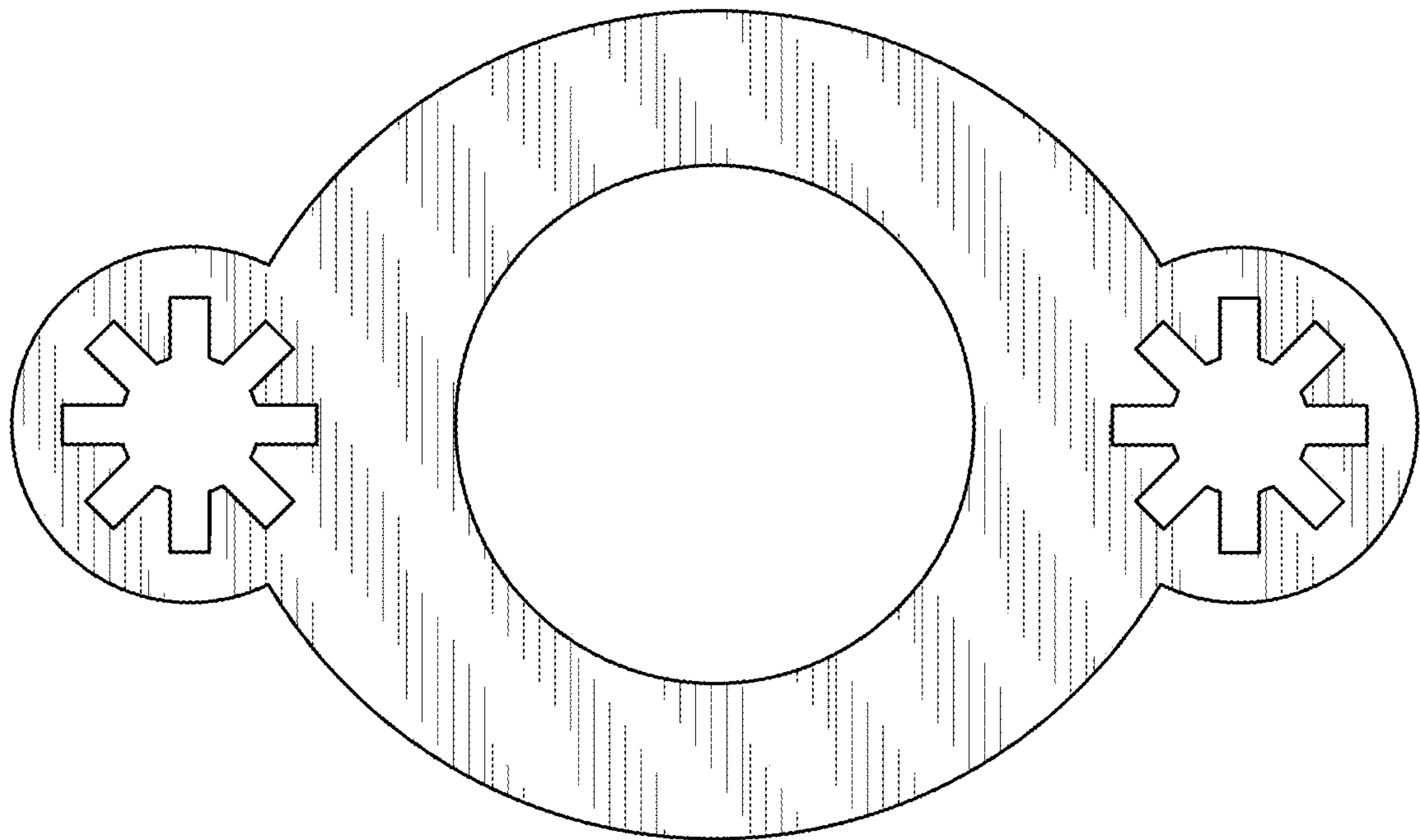


FIG. 5

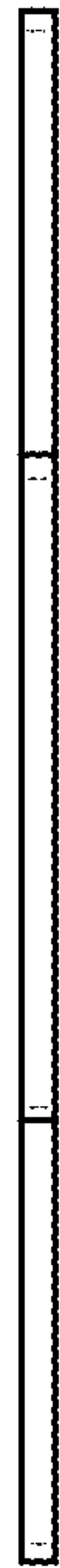


FIG. 6



FIG. 7