



US00D971005S

(12) **United States Design Patent**  
**Ylikangas et al.**

(10) **Patent No.:** **US D971,005 S**  
(45) **Date of Patent:** **\*\* Nov. 29, 2022**

(54) **CLIP FOR WALL PANELS**  
(71) Applicant: **Välinge Innovation AB**, Viken (SE)  
(72) Inventors: **Roger Ylikangas**, Lerberget (SE); **Karl Quist**, Höganäs (SE)  
(\*\*) Term: **15 Years**  
(21) Appl. No.: **35/512,647**  
(22) Filed: **Mar. 19, 2021**  
(80) **Hague Agreement Data**  
Int. Filing Date: **Mar. 19, 2021**  
Int. Reg. No.: **DM/213375**  
Int. Reg. Date: **Mar. 19, 2021**  
Int. Reg. Pub. Date: **Sep. 24, 2021**

(51) **LOC (13) Cl.** ..... **08-08**  
(52) **U.S. Cl.**  
USPC ..... **D8/349**  
(58) **Field of Classification Search**  
USPC ..... D8/349, 384, 394, 354, 382, 385, 395,  
D8/377  
CPC ... E04F 13/0823; E04F 13/0826; E04F 13/08;  
E04F 13/02; E04F 13/0846; E04F 15/04;  
E04F 15/02144; Y10T 16/35; Y10T  
24/10; Y10T 24/26; Y10T 24/44; Y10T  
24/44017; Y10T 24/44256; Y10T  
24/44573; Y10T 24/50; Y10T 24/2174  
See application file for complete search history.

(56) **References Cited**  
U.S. PATENT DOCUMENTS  
2,316,424 A \* 4/1943 Hasenburger ..... E04F 13/0823  
52/506.09  
D347,990 S \* 6/1994 Petrohilos ..... D8/382

D614,943 S \* 5/2010 Socha ..... D8/394  
D625,588 S \* 10/2010 Norris ..... D8/382  
D625,589 S \* 10/2010 Norris ..... D8/382  
D738,713 S \* 9/2015 Volin ..... D8/394  
D767,381 S \* 9/2016 Libreiro ..... D8/382  
D767,382 S \* 9/2016 Libreiro ..... D8/382  
D826,704 S \* 8/2018 Wilson ..... D8/382  
D857,488 S \* 8/2019 Singh ..... D8/394  
D872,009 S \* 1/2020 Hood ..... F16B 5/0607  
D13/102  
D953,842 S \* 6/2022 Bilge ..... D25/124  
D954,532 S \* 6/2022 Bilge ..... D25/124  
2006/0010820 A1 \* 1/2006 Schwitte ..... E04F 15/02144  
52/592.1  
2015/0040514 A1 \* 2/2015 Hinkle ..... E04F 15/04  
52/749.1  
2017/0030086 A1 \* 2/2017 Rodriguez Lopez .....  
E04F 13/0812  
2020/0131780 A1 \* 4/2020 De Rick ..... E04F 13/0894

\* cited by examiner

*Primary Examiner* — Mark A Goodwin

(57) **CLAIM**

The ornamental design for a clip for wall panels, as shown and described.

**DESCRIPTION**

1. Clip for wall panels

1.1 : Front

1.2 : Back

1.3 : Top

1.4 : Bottom

1.5 : Right

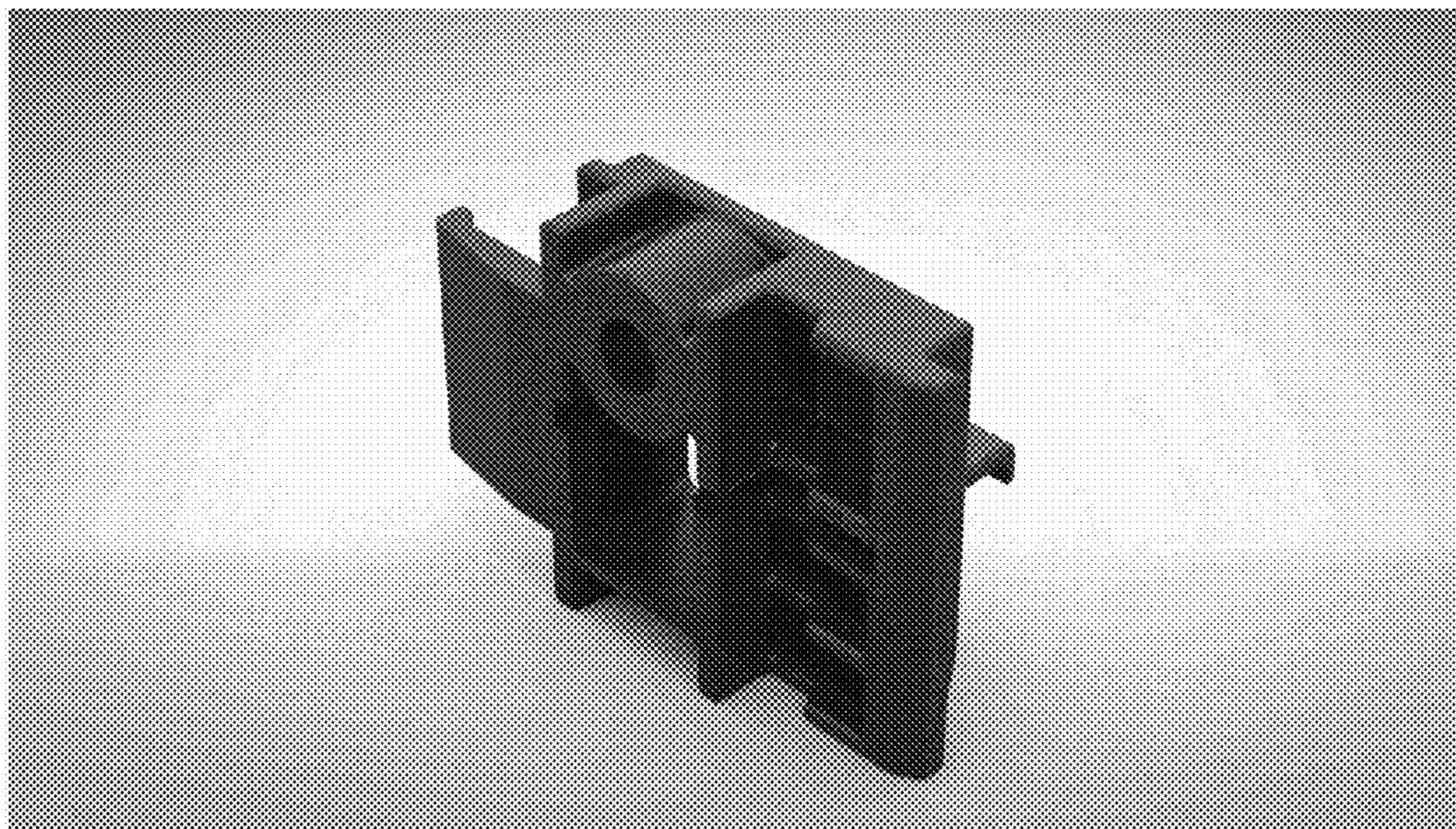
1.6 : Left

1.7 : Perspective

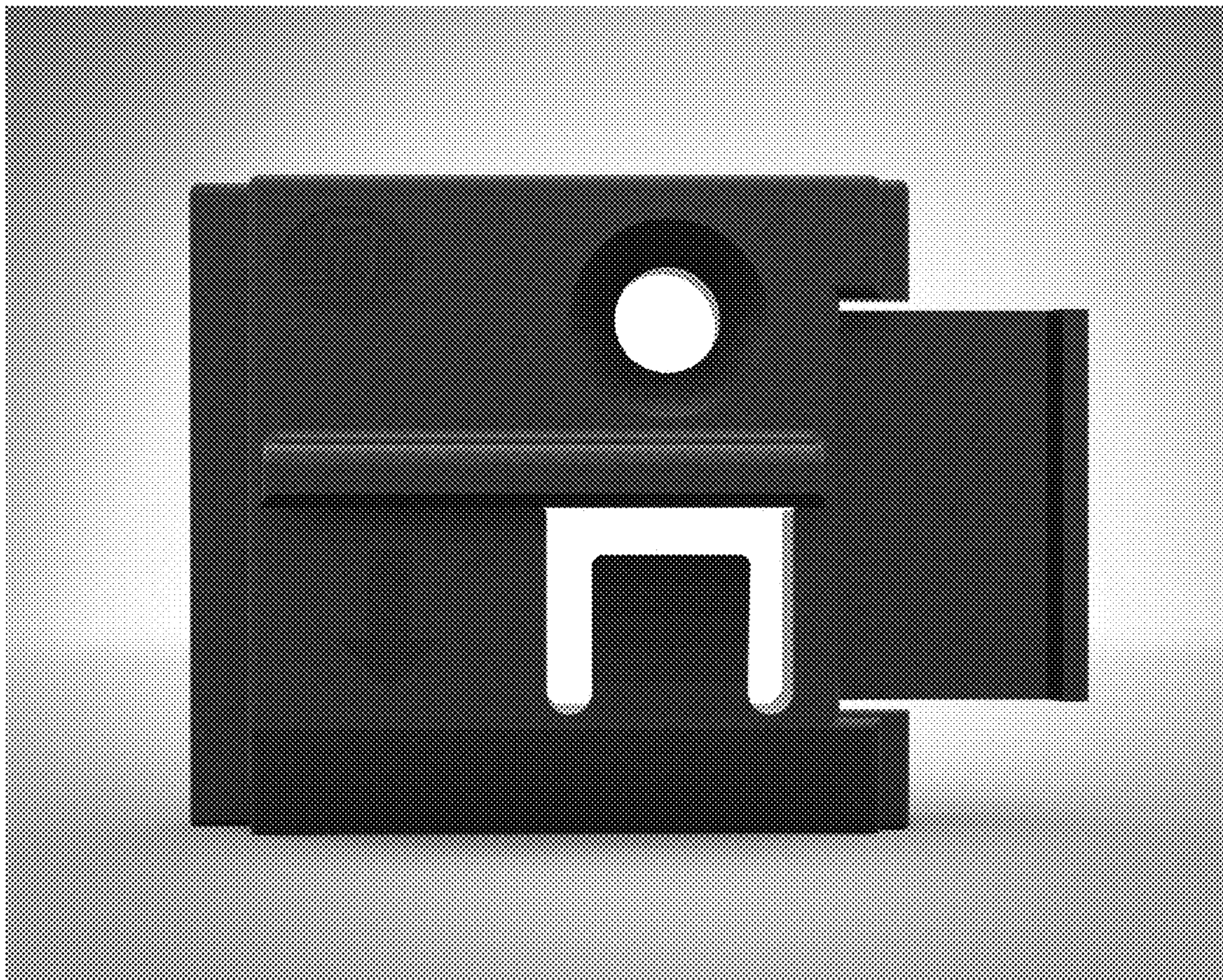
1.8 : Perspective

The ornamental design for a clip for wall panels as shown and described.

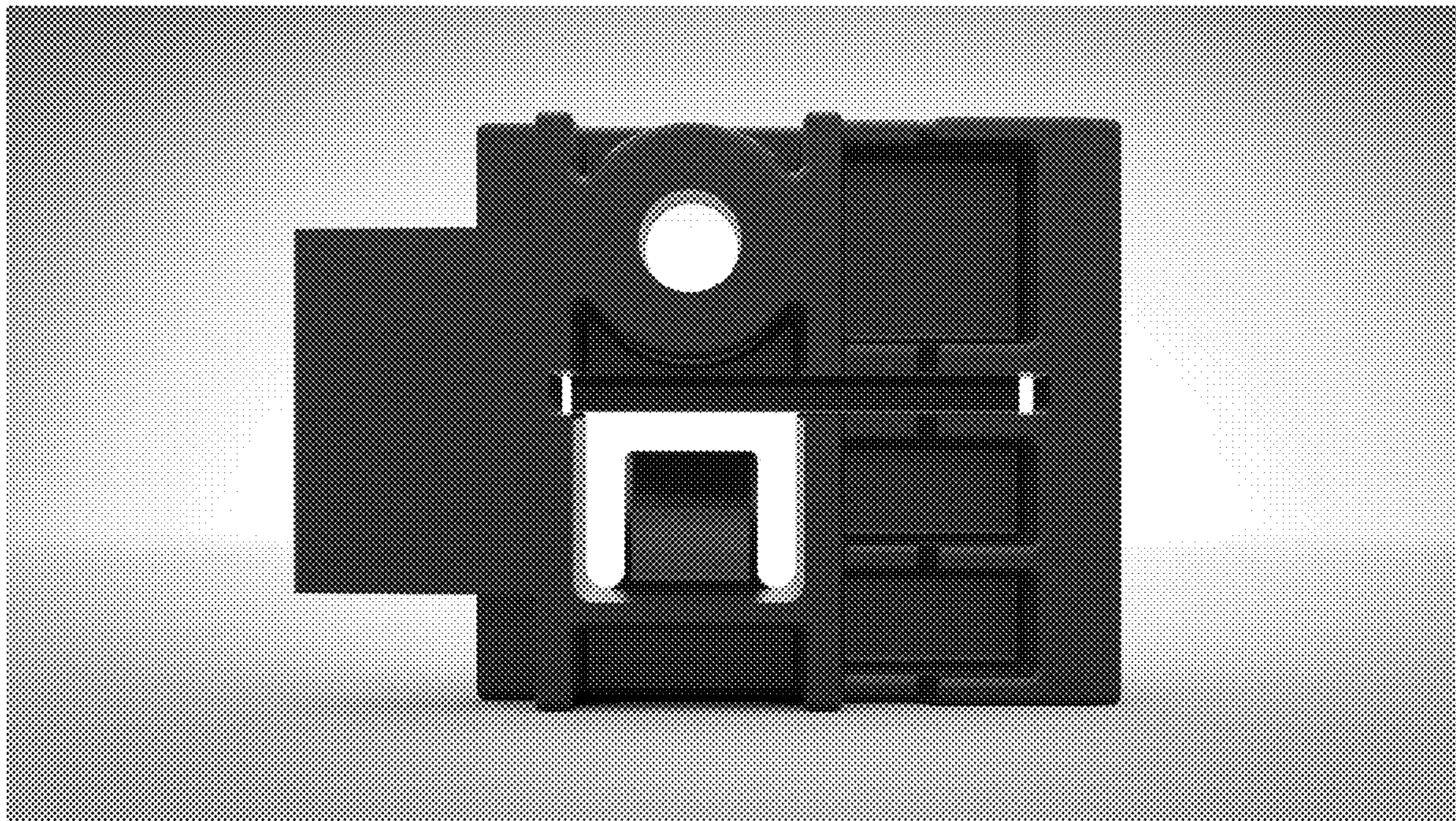
**1 Claim, 8 Drawing Sheets**



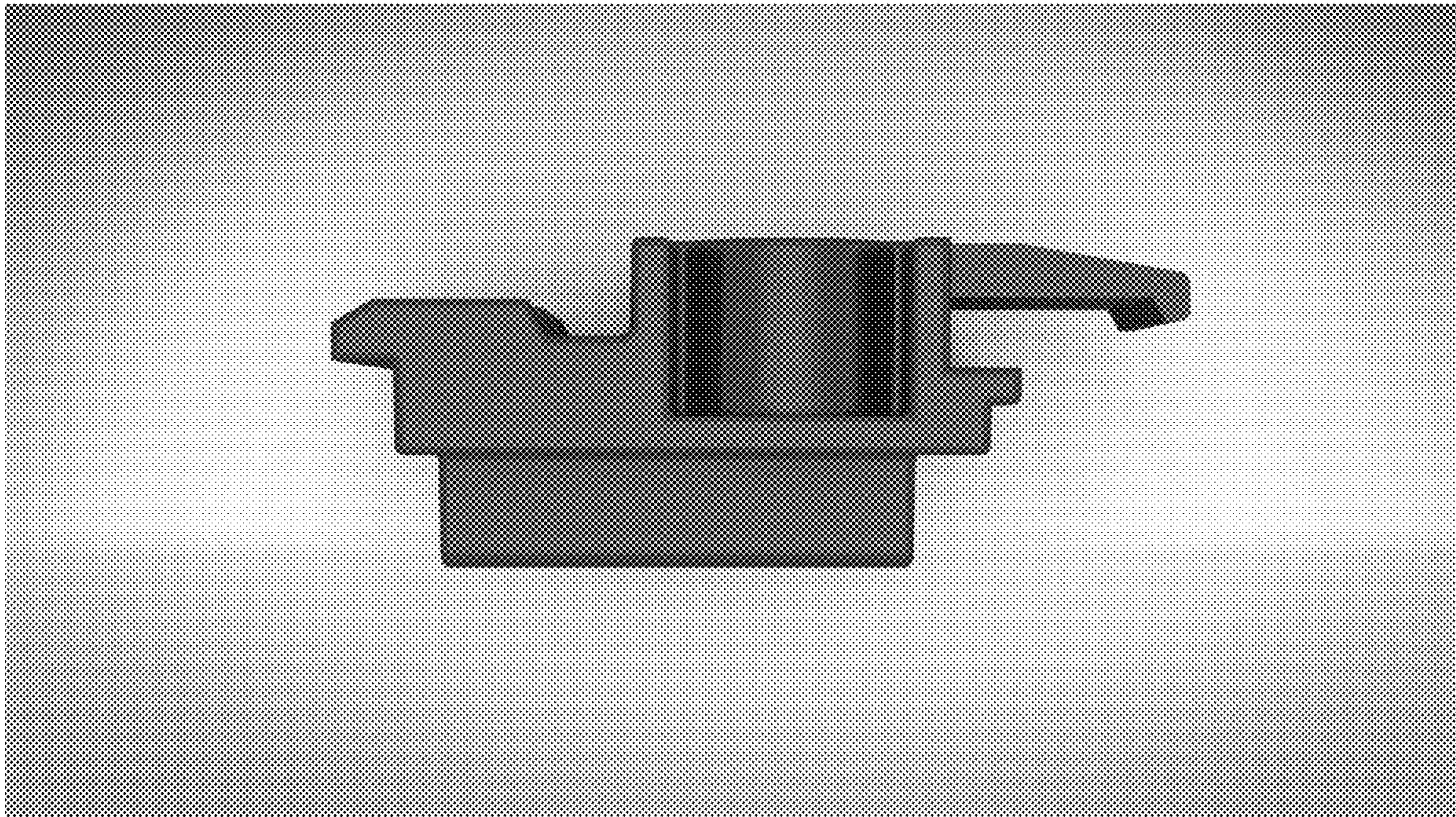
1.1



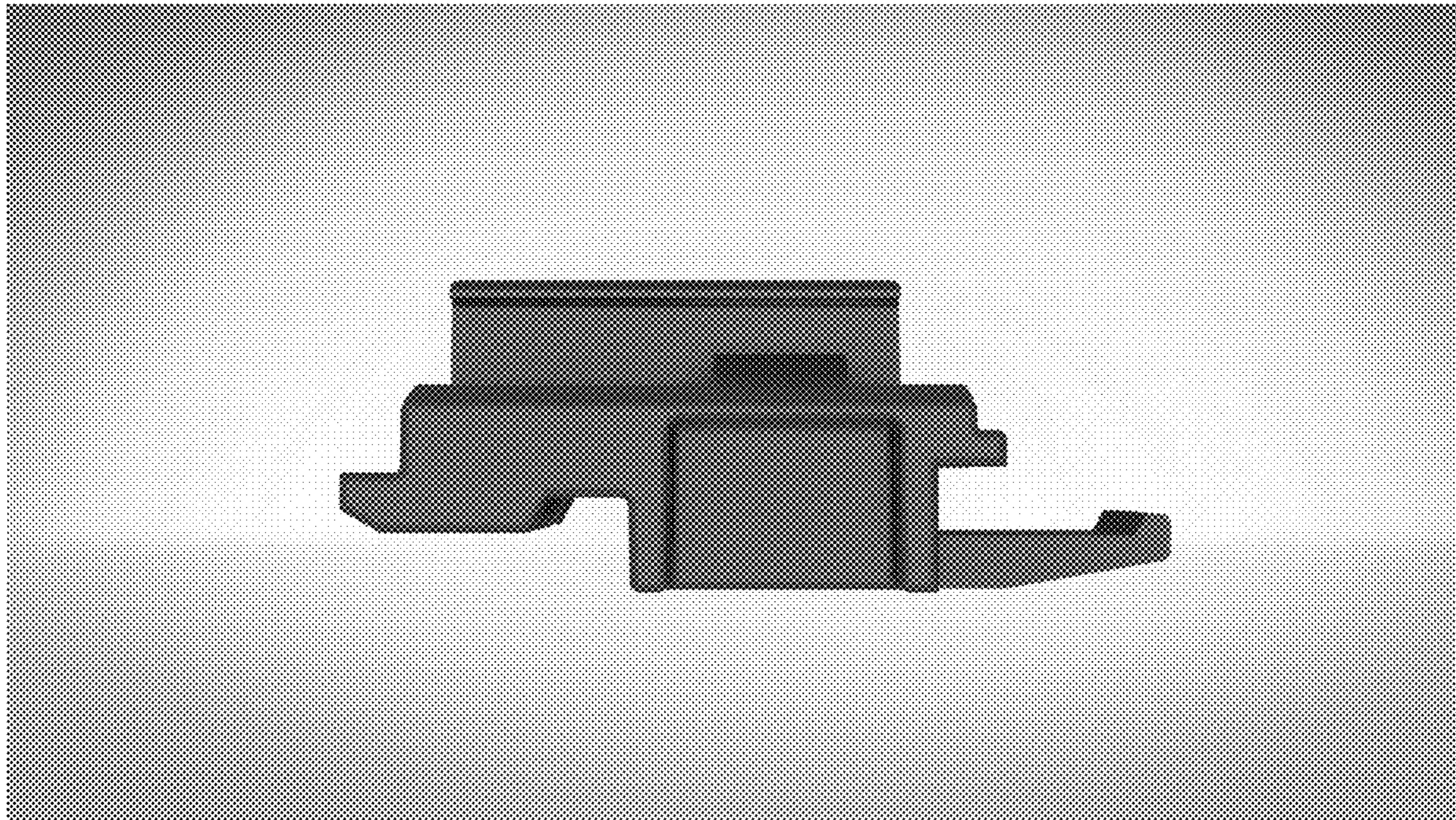
1.2



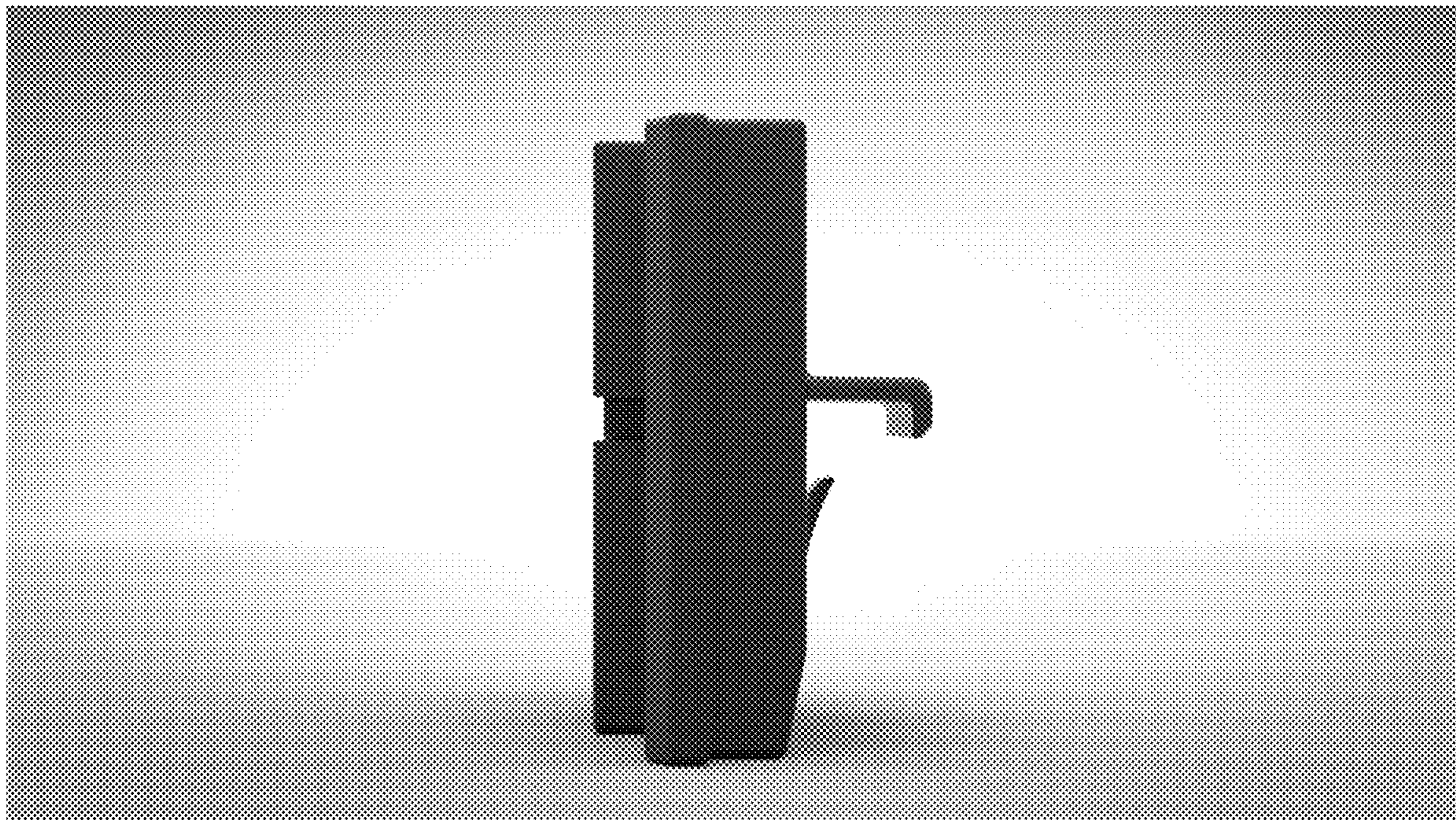
1.3



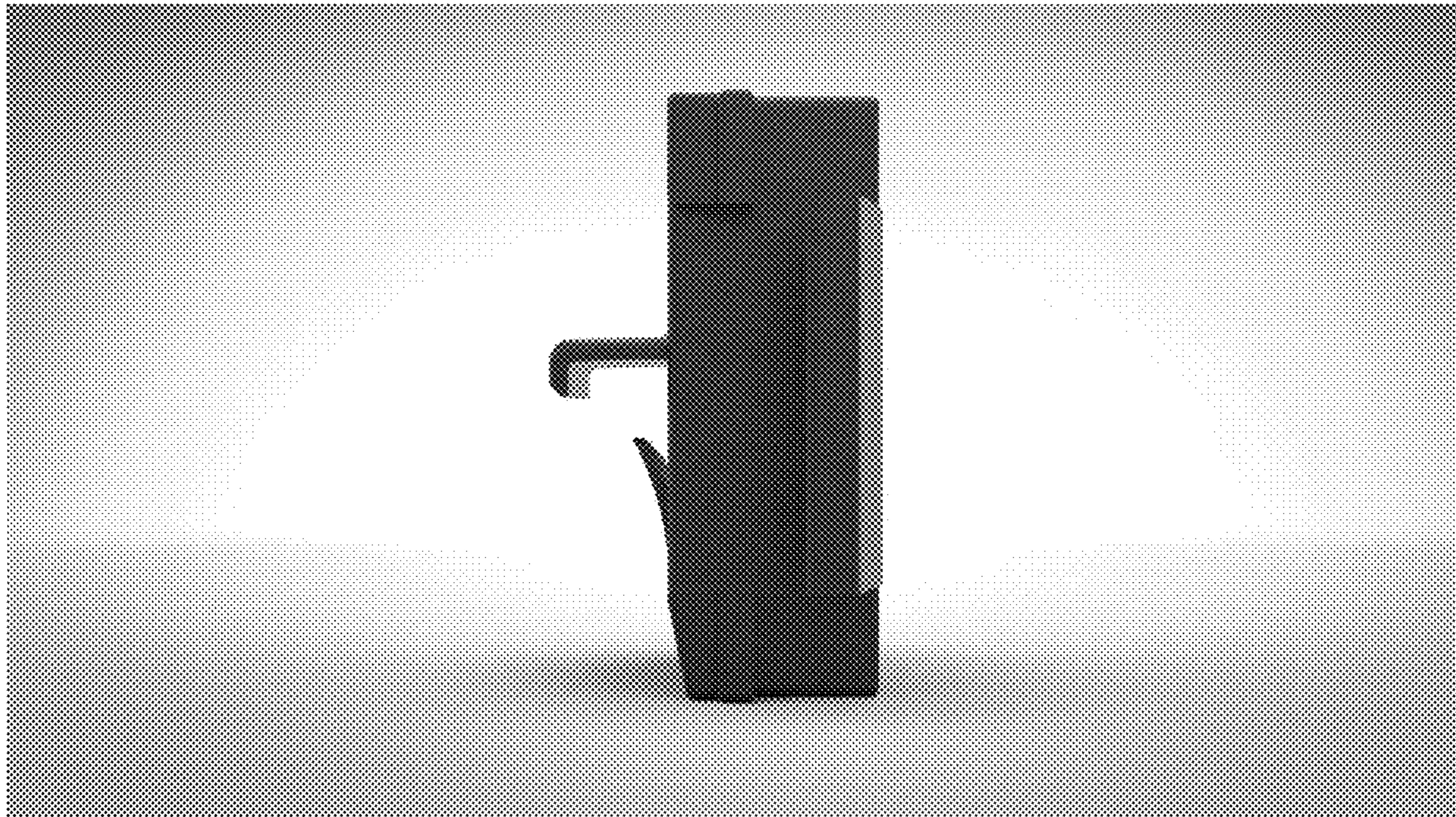
1.4



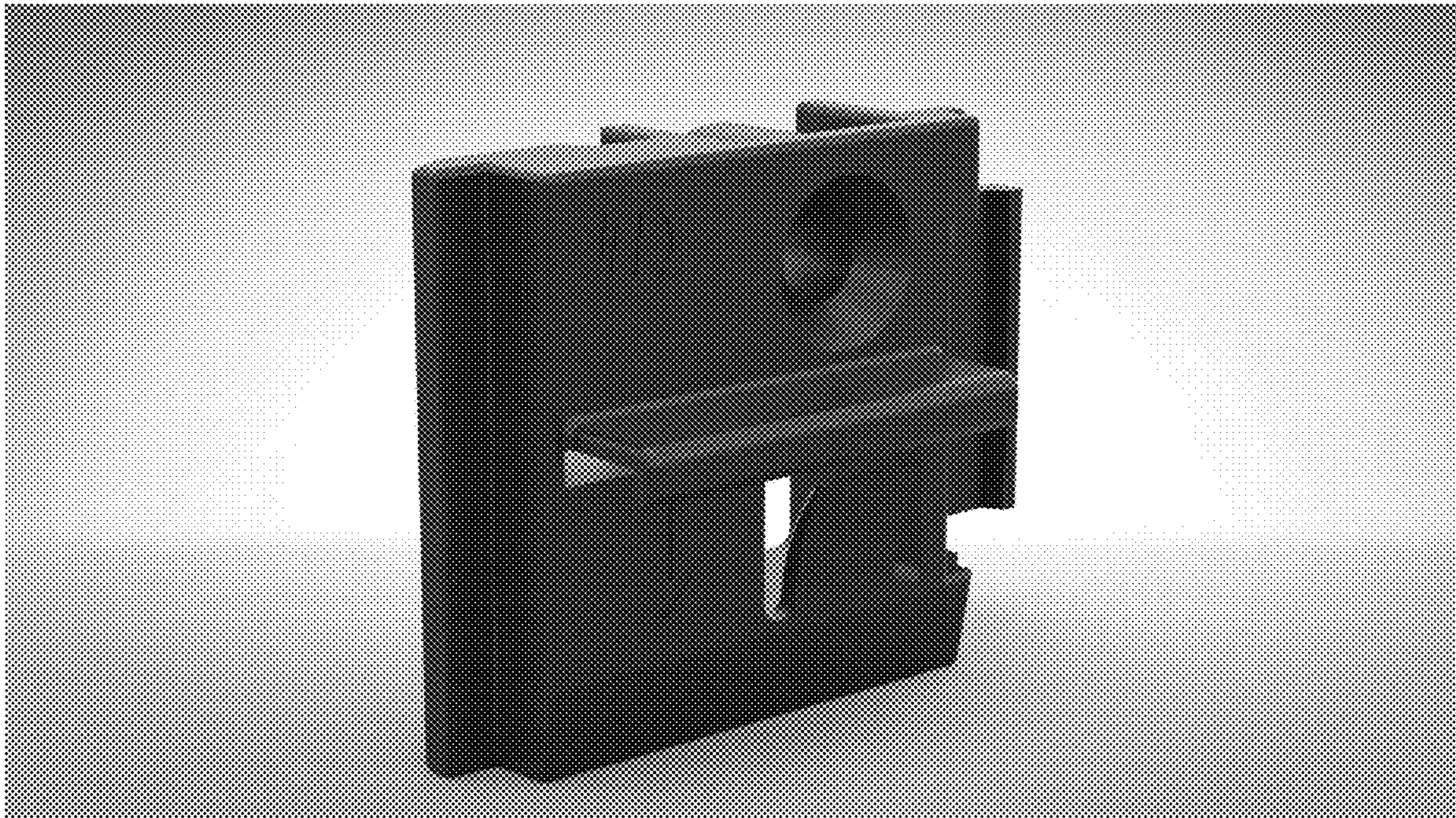
1.5



1.6



1.7





1.8

