



US00D971004S

(12) **United States Design Patent**  
**Alarcon**

(10) **Patent No.:** **US D971,004 S**

(45) **Date of Patent:** **\*\* Nov. 29, 2022**

(54) **GATE HINGE**

(71) Applicant: **Richard Alarcon**, Lakewood, CA (US)

(72) Inventor: **Richard Alarcon**, Lakewood, CA (US)

(\*\*) Term: **15 Years**

(21) Appl. No.: **29/743,272**

(22) Filed: **Jul. 20, 2020**

(51) **LOC (13) Cl.** ..... **08-06**

(52) **U.S. Cl.**  
USPC ..... **D8/323**

(58) **Field of Classification Search**  
USPC ..... D8/323; 292/264; 16/250, 251;  
248/213

CPC .. E05D 1/00; E05D 11/06; E05D 5/11; E05D  
3/02; E05D 1/02; E05D 11/082; E05D  
5/12; A47K 13/12; B64G 1/222; E05C  
3/22; E05C 1/085

See application file for complete search history.

(56) **References Cited**

**U.S. PATENT DOCUMENTS**

D140,298 S *	2/1945	Wilson	.....	D8/323
D222,234 S *	10/1971	Imber	.....	D8/323
4,382,312 A *	5/1983	Liggett	.....	E05D 3/06 16/288
D335,622 S *	5/1993	Millsap	.....	D8/323
D396,626 S *	8/1998	Francom	.....	D8/323
6,134,751 A *	10/2000	Carrier	.....	E05D 15/44 16/235
D443,196 S *	6/2001	Sosa	.....	D8/323
D458,626 S *	6/2002	Desbiez-Piat	.....	D16/334
D500,660 S *	1/2005	Larner	.....	D8/323
7,100,245 B2 *	9/2006	Wohlfarth	.....	E05D 3/10 16/367
D624,388 S *	9/2010	Eland	.....	D8/323
8,225,460 B2 *	7/2012	Hooton	.....	E05D 3/10 16/309
D683,609 S *	6/2013	Frank	.....	D8/323

D715,620 S *	10/2014	Tung	.....	D8/323
D717,633 S *	11/2014	Lu	.....	D8/323
D717,634 S *	11/2014	Lu	.....	D8/323
D719,434 S *	12/2014	Lu	.....	D8/323
D719,810 S *	12/2014	Lu	.....	D8/323
D744,313 S *	12/2015	Lu	.....	D8/323
D744,808 S *	12/2015	Lu	.....	D8/323
D744,809 S *	12/2015	Lu	.....	D8/323
D758,164 S *	6/2016	Lu	.....	D8/323
D784,795 S *	4/2017	Ravaioli	.....	D8/355
D804,276 S *	12/2017	Lu	.....	D8/323
D804,277 S *	12/2017	Lu	.....	D8/323

(Continued)

*Primary Examiner* — Cynthia R Underwood

(74) *Attorney, Agent, or Firm* — Allan Grant; Grants Law Firm

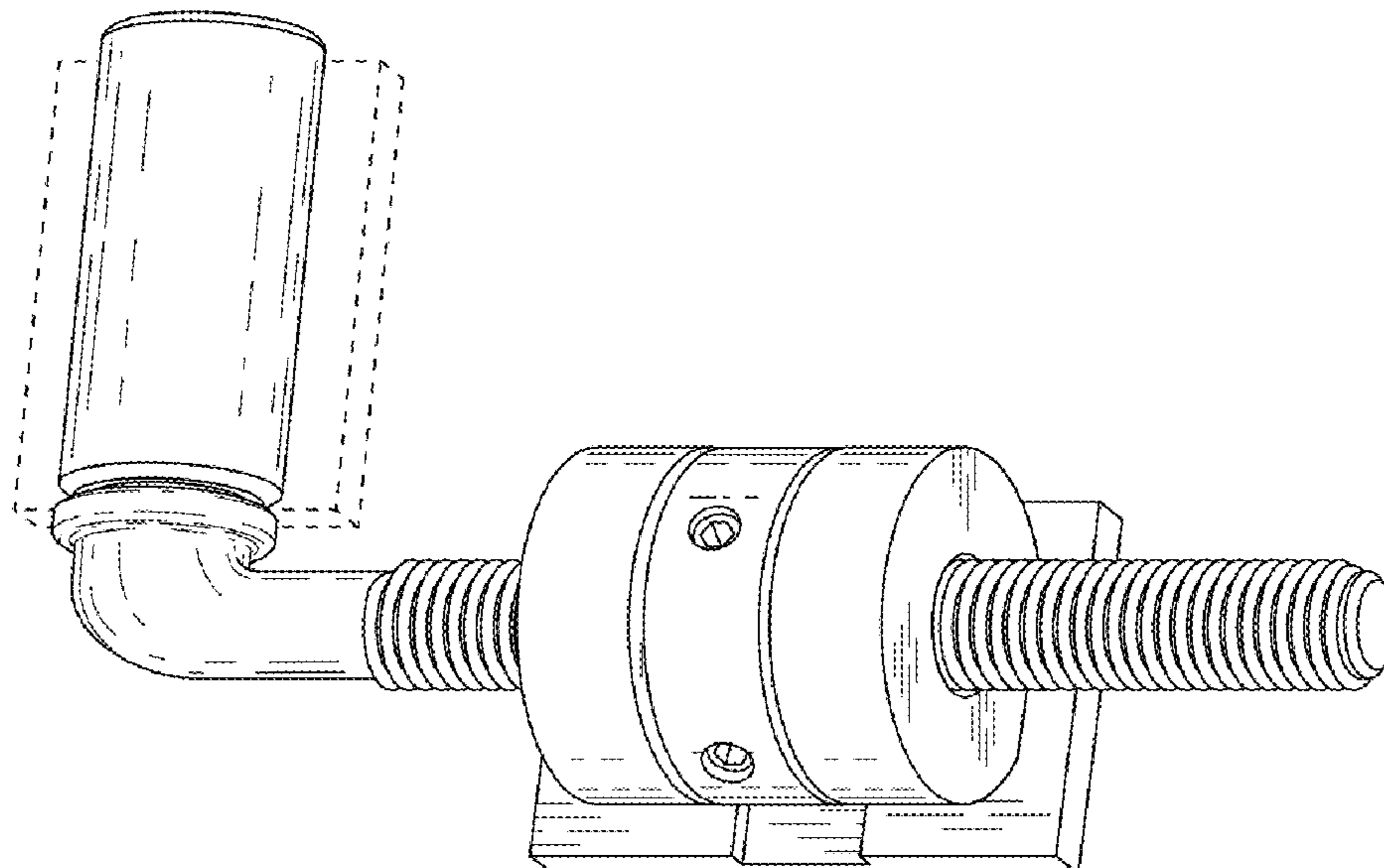
(57) **CLAIM**

I claim the ornamental design for a gate hinge, as shown and as described.

**DESCRIPTION**

FIG. 1 is a front perspective view of the gate hinge.  
 FIG. 2 is a back perspective view of the gate hinge.  
 FIG. 3 is the front view of the gate hinge.  
 FIG. 4 is a back view of the gate hinge.  
 FIG. 5 is a side view of the gate hinge.  
 FIG. 6 is the other side view of the gate hinge.  
 FIG. 7 is a top view of the gate hinge.  
 FIG. 8 is bottom view of the gate hinge.  
 FIG. 9 is a perspective view reduced in scale of the gate hinge attached to a gate represent the environment of use.  
 FIG. 10 is a perspective view reduced in scale of an alternative configuration of use of the gate hinge attached to said gate, wherein the gate hinge has been adjusted to adjust the gate; and,  
 FIG. 11 is an enlarge close up view of the gate hinge.  
 The broken lines represent an environment of use for the gate hinge and form no part of the claim.

**1 Claim, 5 Drawing Sheets**



(56)

**References Cited**

U.S. PATENT DOCUMENTS

D890,595	S *	7/2020	Alarcon	.....	D8/323
D891,222	S *	7/2020	Alarcon	.....	D8/323
D919,405	S *	5/2021	Lu	.....	D8/323
D926,554	S *	8/2021	Melic	.....	D8/323
2016/0040463	A1 *	2/2016	Gramstad	.....	E05D 5/128
					16/382
2016/0040464	A1 *	2/2016	Lu	.....	A47C 7/38
					16/250
2019/0000285	A1 *	1/2019	Xu	.....	A47K 13/12
2022/0145663	A1 *	5/2022	Talpe	.....	E05C 1/085
2022/0145678	A1 *	5/2022	Talpe	.....	E05C 3/22

\* cited by examiner

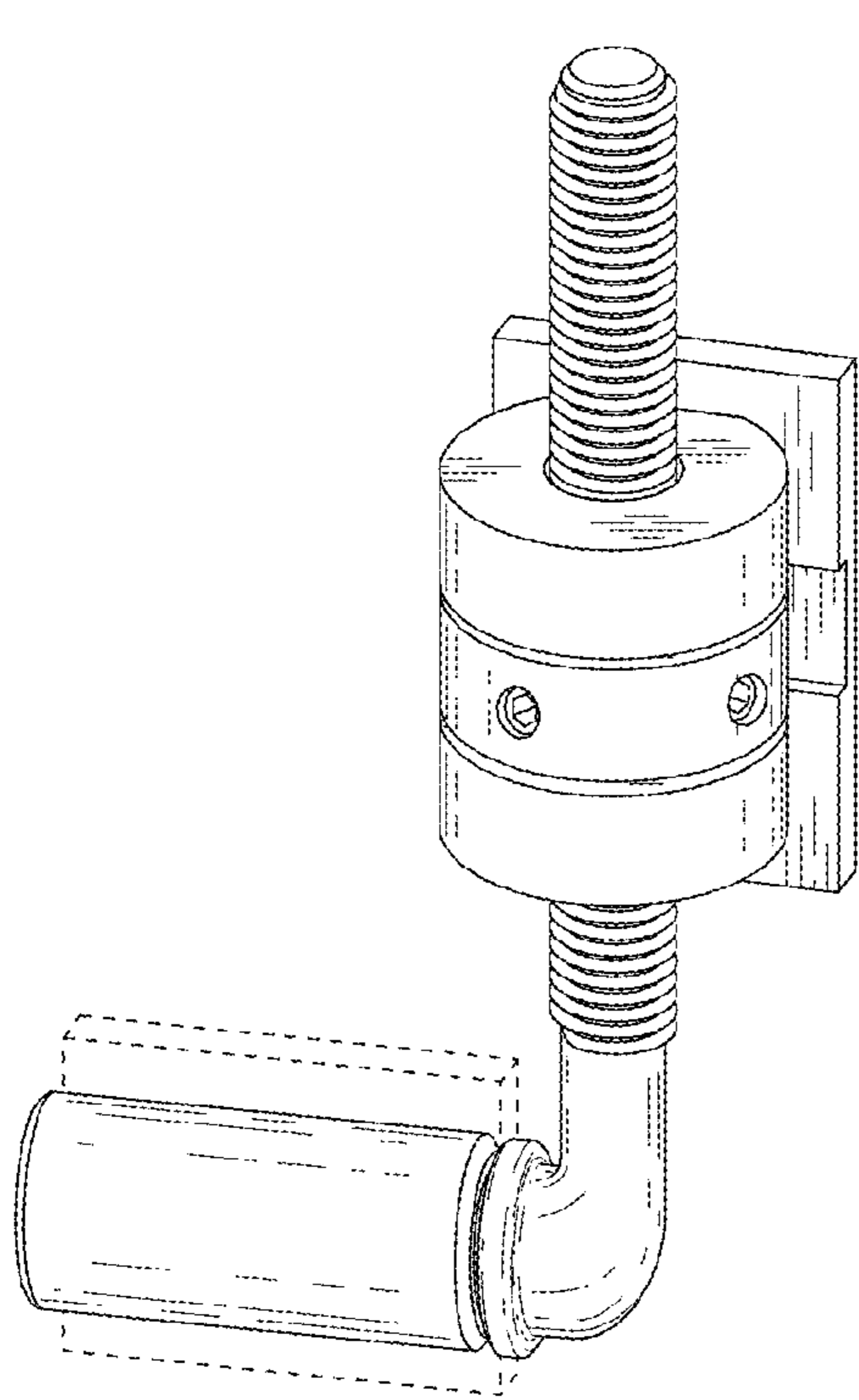


Fig. 1

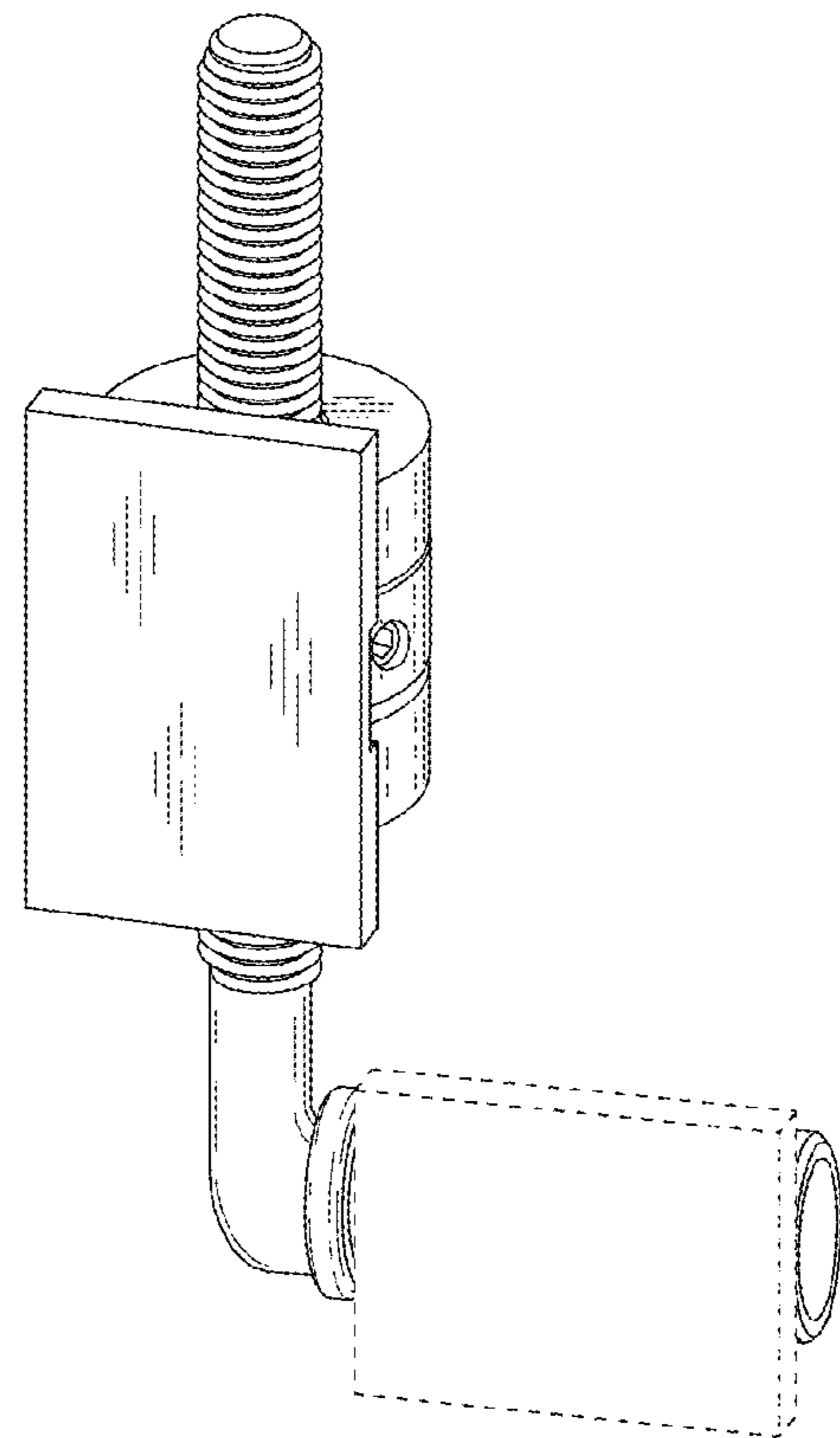


Fig. 2

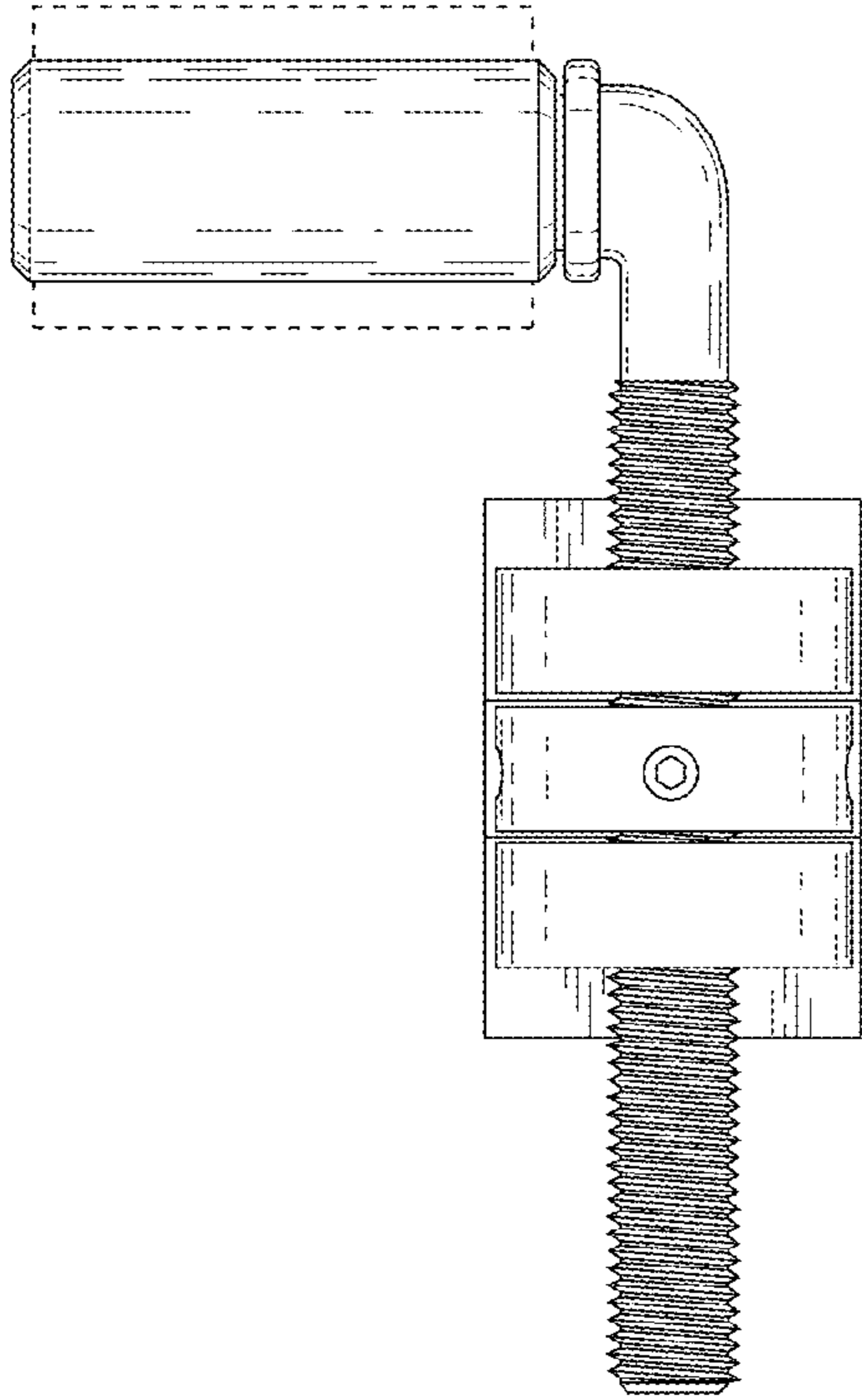


Fig. 3

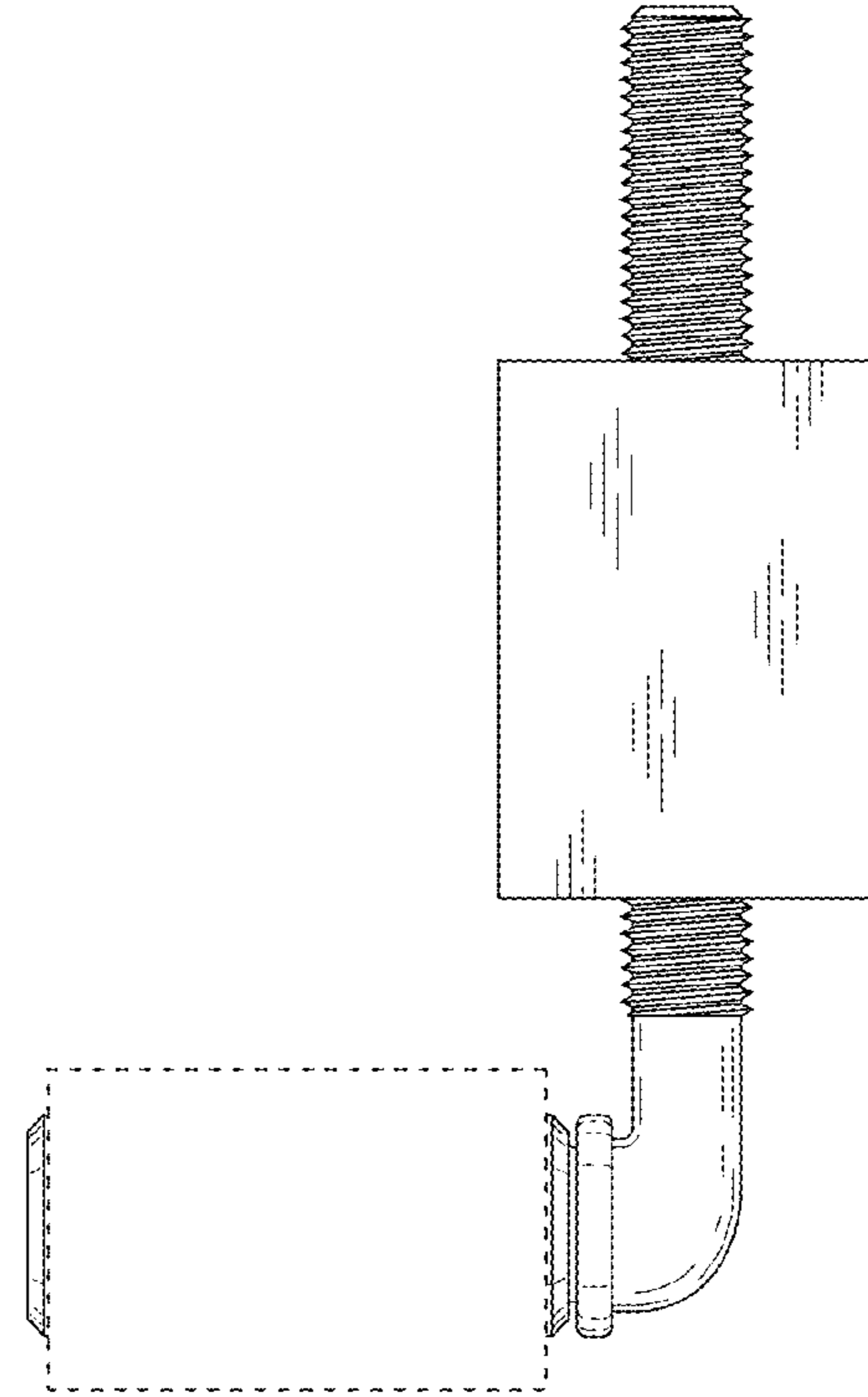
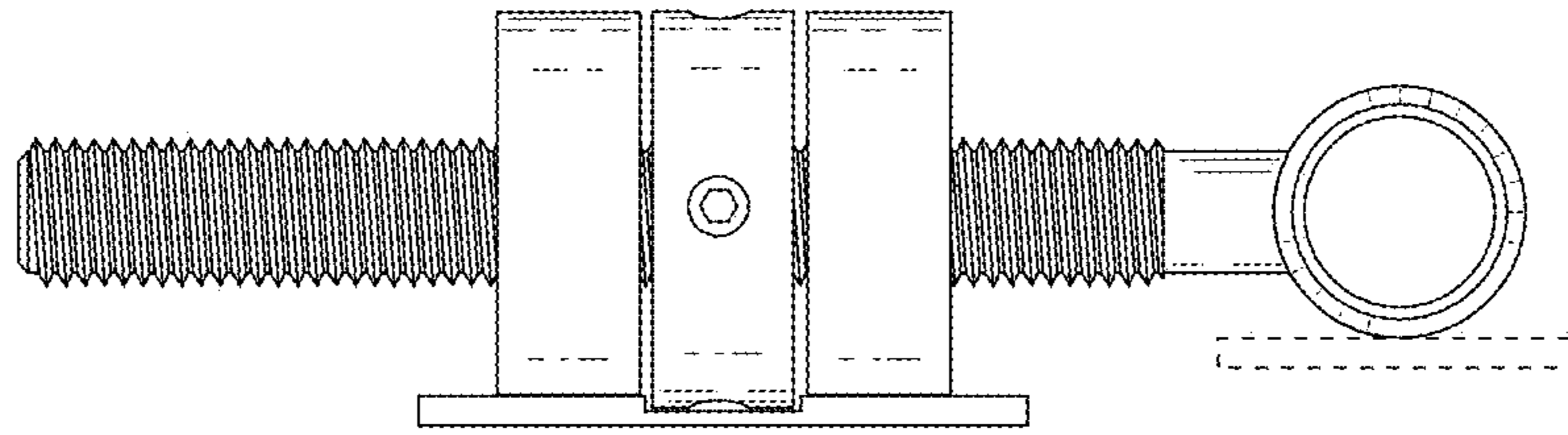
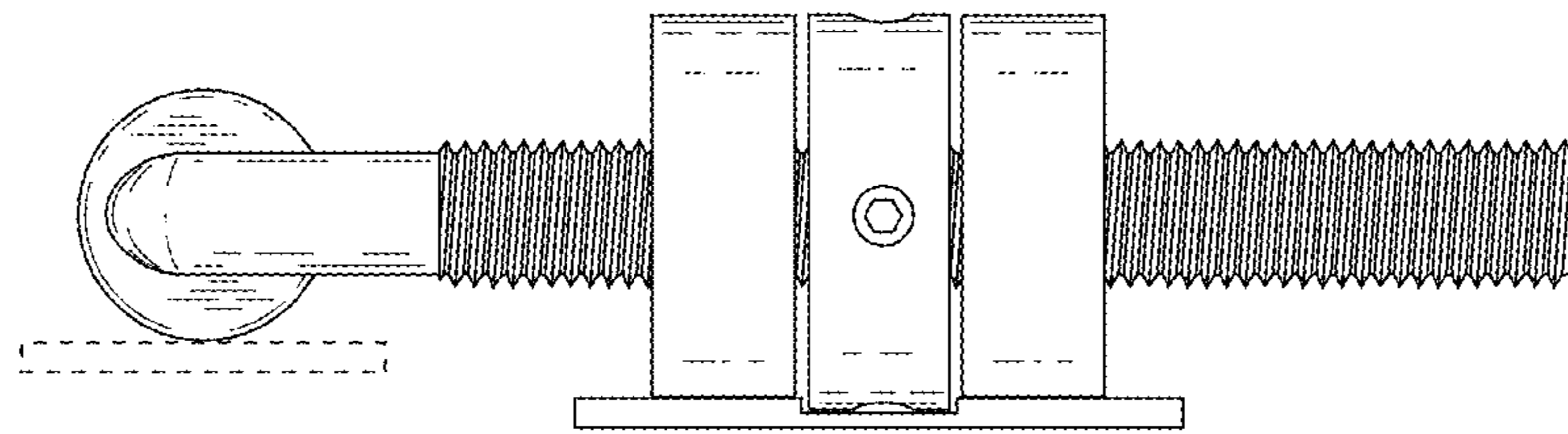


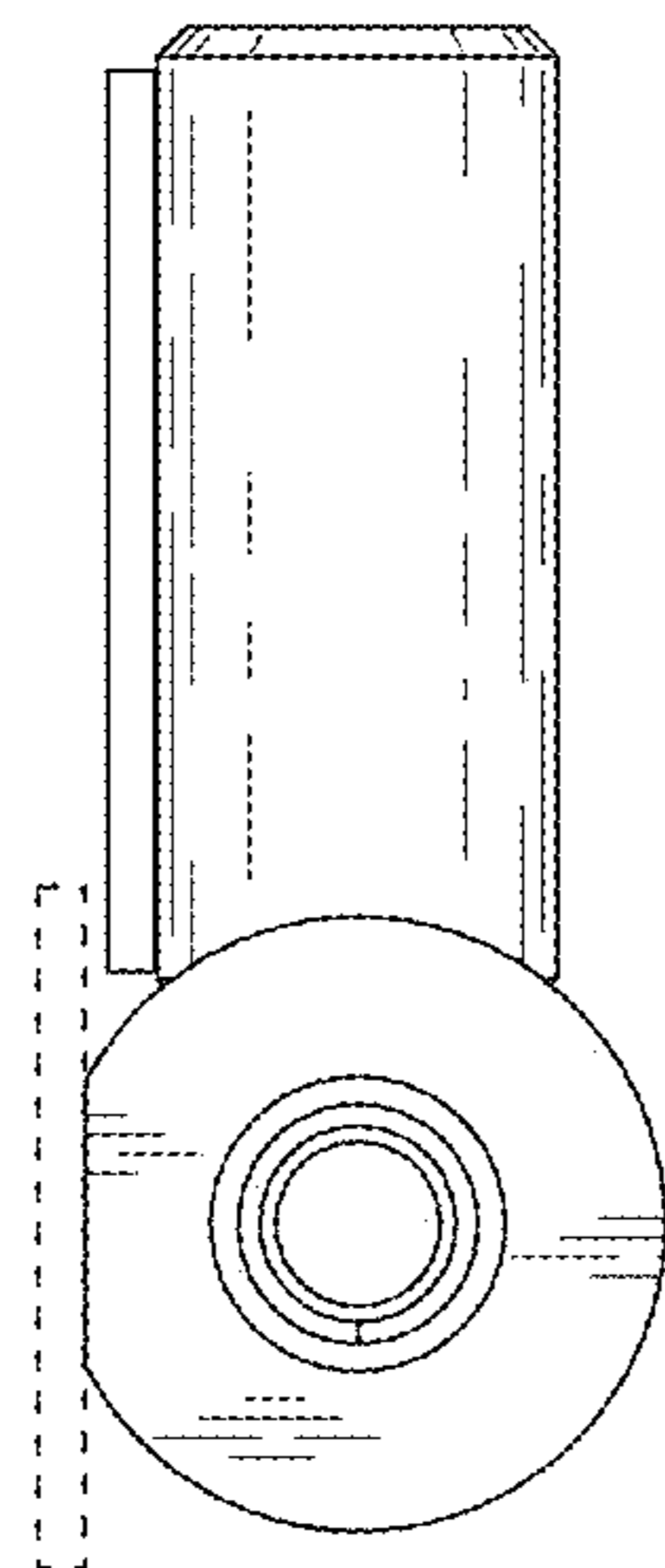
Fig. 4



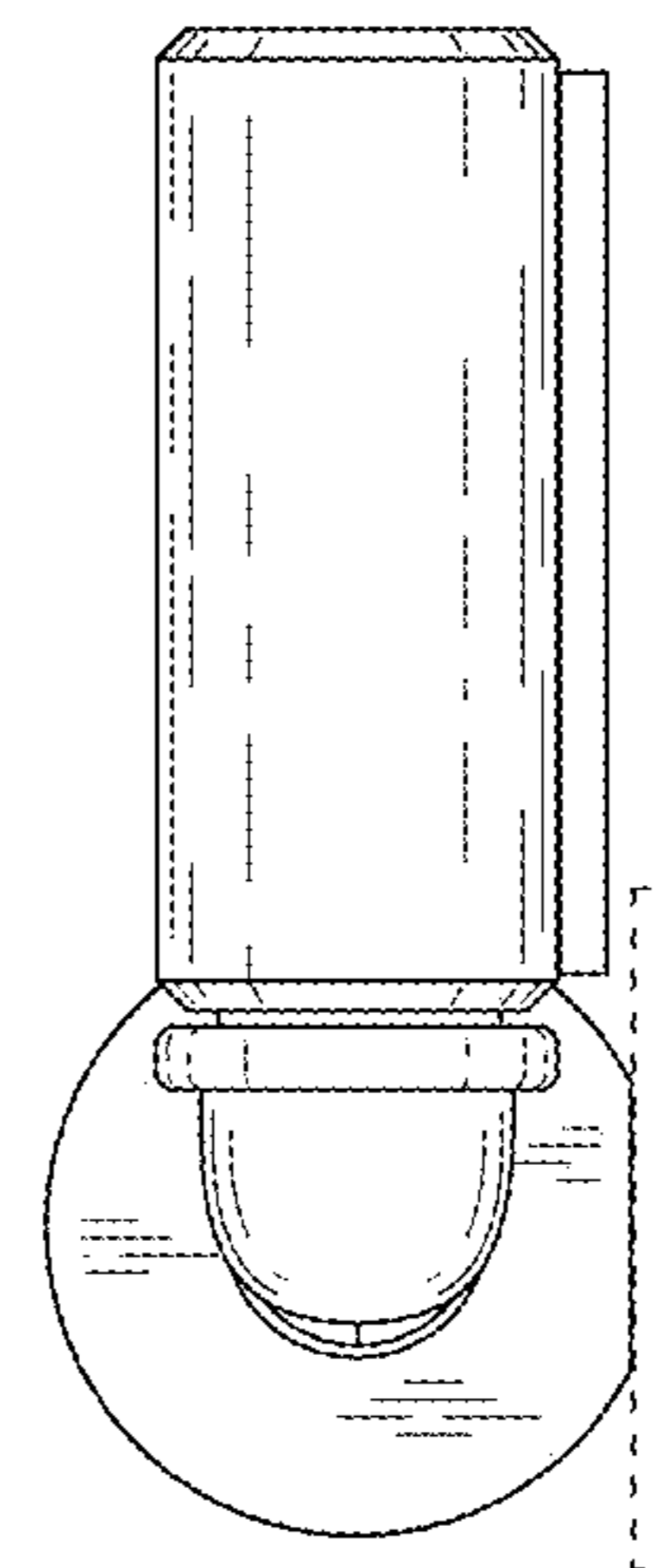
*Fig. 5*



*Fig. 6*



*Fig. 7*



*Fig. 8*



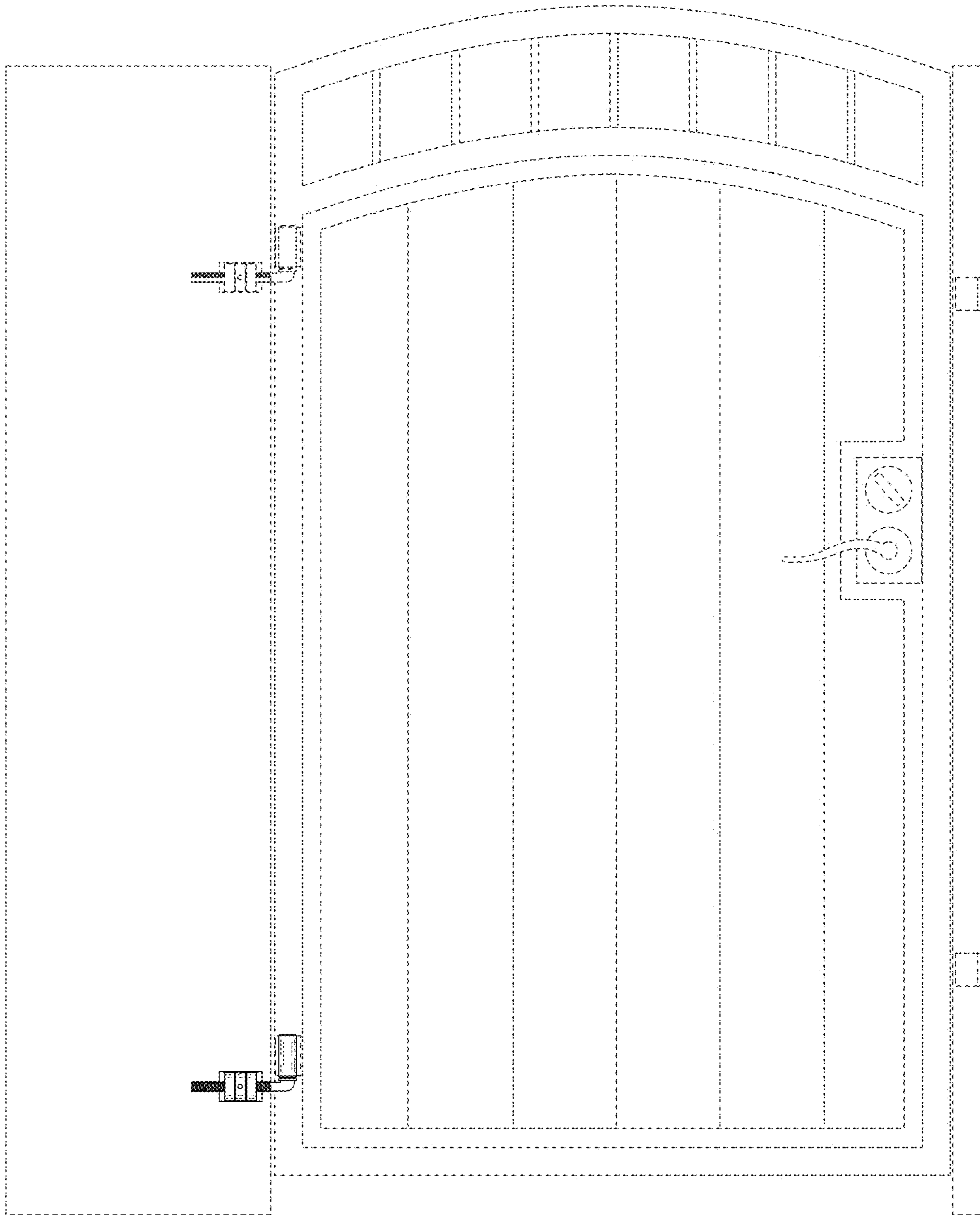


Fig. 9

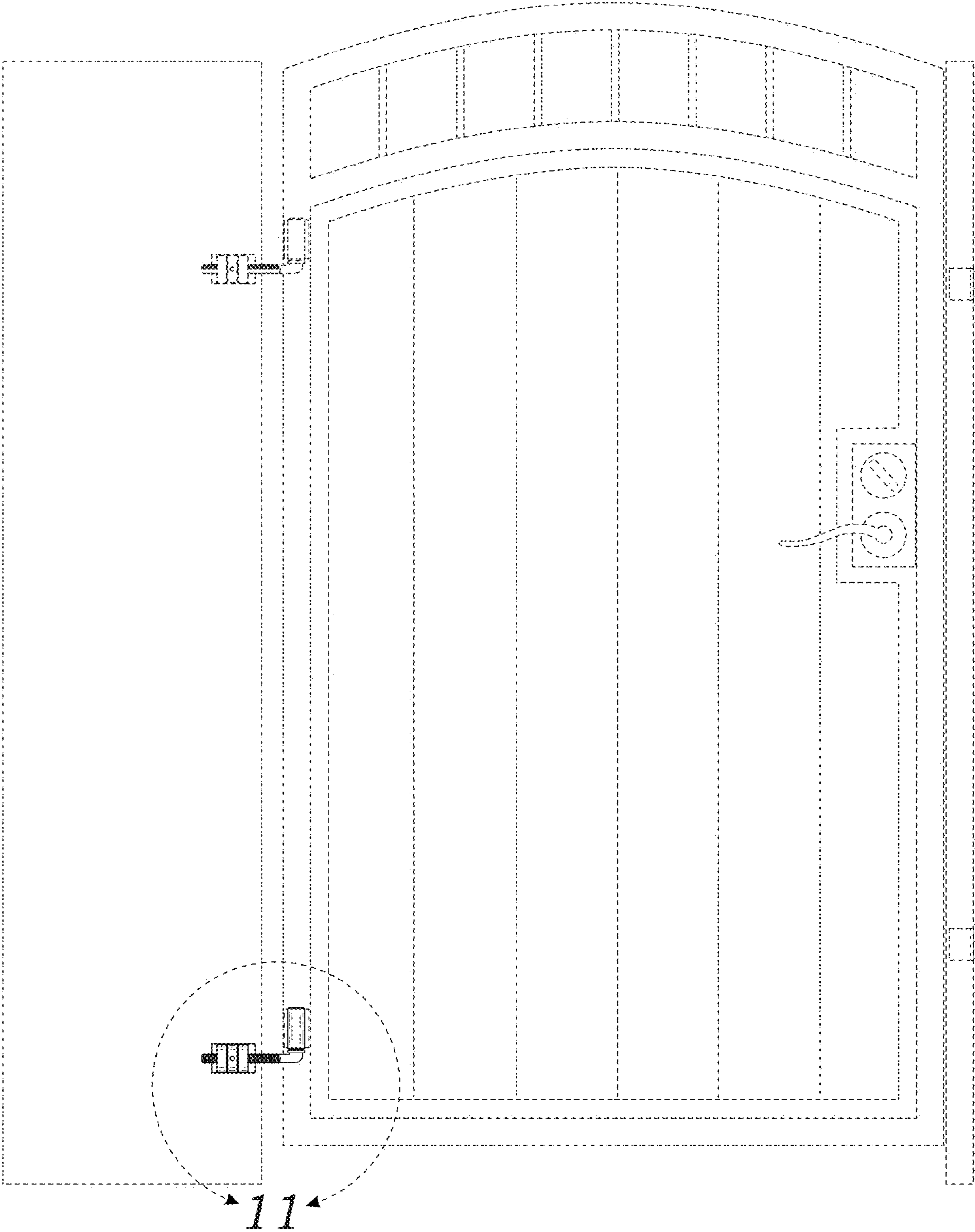
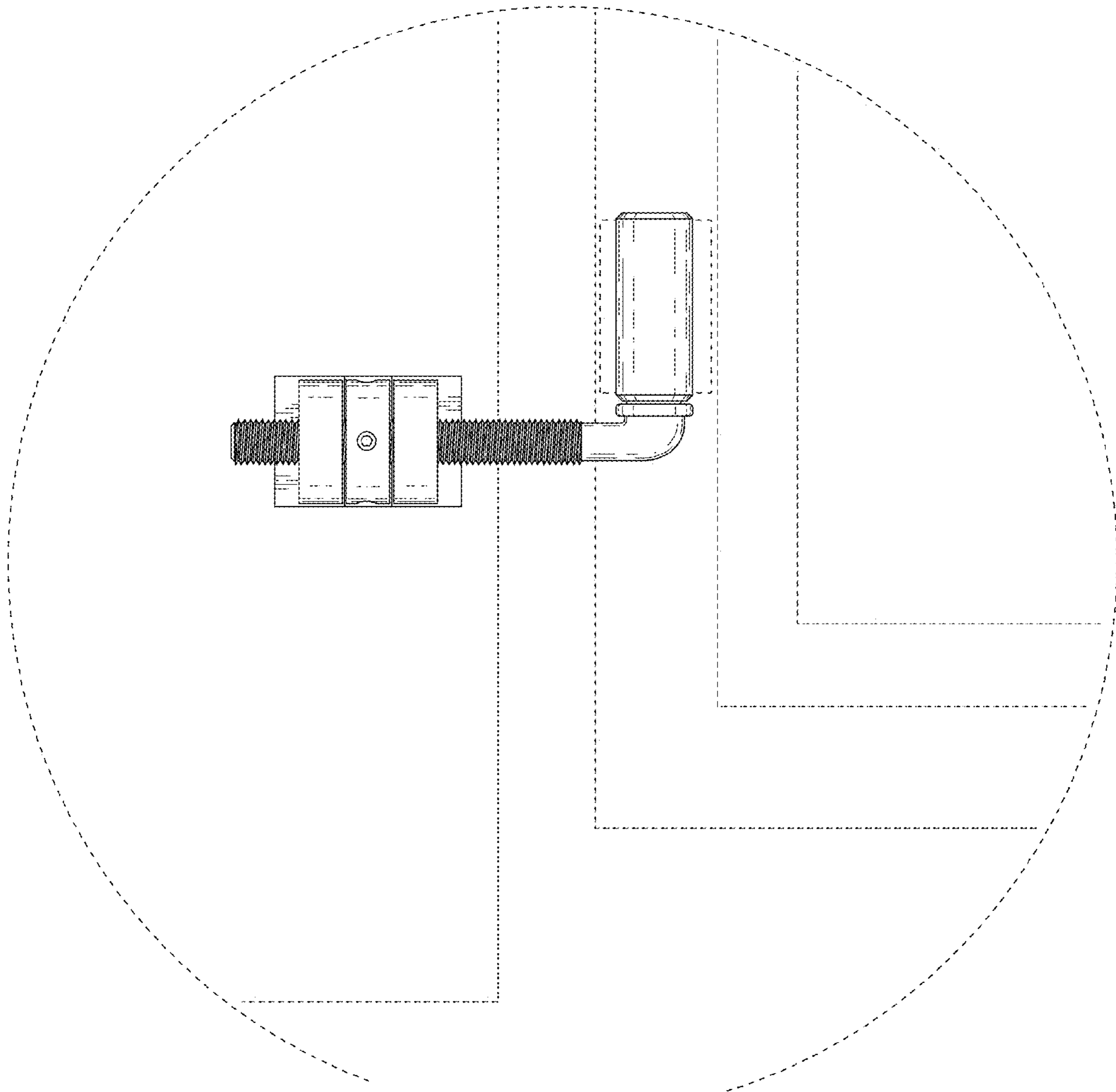


Fig. 10



*Fig. 11*