



US00D971002S

(12) **United States Design Patent** (10) **Patent No.:** **US D971,002 S**
Liu (45) **Date of Patent:** **** Nov. 29, 2022**

(54) **DOOR KNOB**
(71) Applicant: **Shenzhen Rundian Innovation Technology Co., Ltd., Shenzhen (CN)**

(72) Inventor: **Kezhi Liu, Shenzhen (CN)**

(73) Assignee: **Shenzhen Rundian Innovation Technology Co., Ltd., Shenzhen (CN)**

(**) Term: **15 Years**

(21) Appl. No.: **29/846,728**

(22) Filed: **Jul. 19, 2022**

(51) **LOC (13) Cl.** **08-06**

(52) **U.S. Cl.**
USPC **D8/302; D8/300**

(58) **Field of Classification Search**
USPC D8/331, 311, 301, 307, 300, 312, 302, D8/305; D7/393, 394, 396, 406, 543, D7/545, 547.548; D23/250, 421
CPC ... Y10T 292/57; Y10T 292/82; Y10T 16/469; Y10T 16/44; Y10T 16/476; Y10T 74/2084; Y10T 292/85; Y10T 74/2087; Y10T 16/4713; Y10T 16/506; Y10T 74/20876; Y10T 74/20612; Y10T 70/5765; Y10T 16/459; Y10T 74/2066; Y10T 16/487; Y10T 74/20822

See application file for complete search history.

(56) **References Cited**

U.S. PATENT DOCUMENTS

3,111,021 A * 11/1963 Patriquin E05B 55/005 70/476
D297,807 S * 9/1988 Fildan D8/312
D589,776 S * 4/2009 Camp D8/312
D691,448 S * 10/2013 Weathersby D8/301
D844,408 S 4/2019 Lu
D856,112 S 8/2019 Ferreira Sánchez
D891,901 S * 8/2020 Snodgrass D8/311

D922,850 S * 6/2021 Chen D8/302
D922,853 S * 6/2021 Han D8/331
D923,454 S * 6/2021 Chen D8/331
D926,018 S * 7/2021 Snodgrass D8/311
D937,655 S * 12/2021 Snodgrass D8/301
2002/0088084 A1 * 7/2002 Armstrong E05B 3/003 16/82
2009/0282652 A1 * 11/2009 Maramba E05B 13/005 16/441
2010/0117380 A1 * 5/2010 Agazzi E05B 13/103 292/336.3
2013/0067969 A1 * 3/2013 Webb E05B 47/00 70/78
2020/0141157 A1 * 5/2020 Miller E05B 17/226

OTHER PUBLICATIONS

Zincker Door Knob, by Zincker on Amazon.com. Dated Jun. 11, 2022. Found online [Sep. 21, 2022]. <https://www.amazon.com/Zincker-Interior-Electronic-Apartment-Security/dp/B0B3CXHXSX>.*

* cited by examiner

Primary Examiner — Messina L Smith
Assistant Examiner — Kayla Marie Bennett

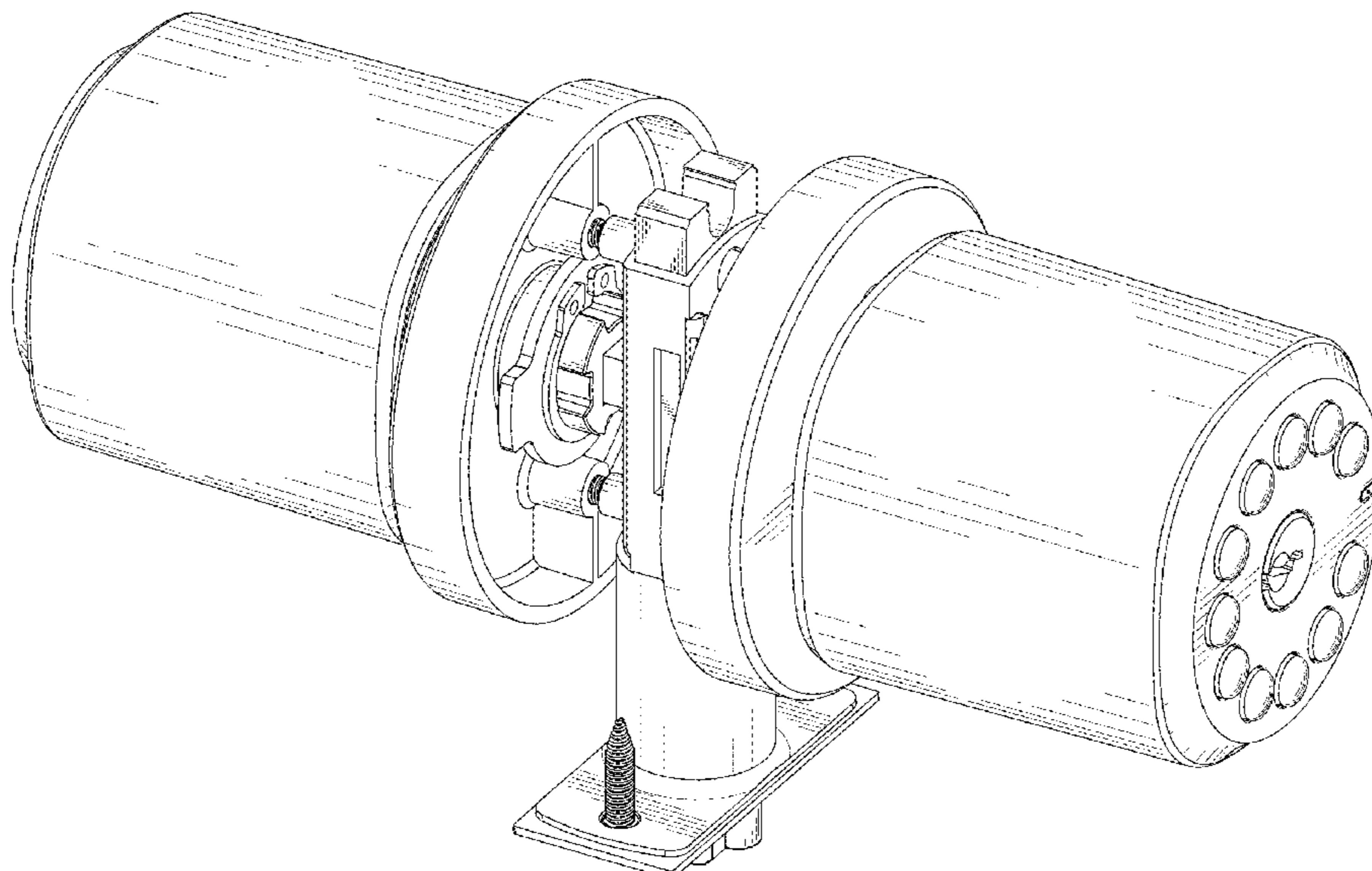
(57) **CLAIM**

The ornamental design for a door knob, as shown and described.

DESCRIPTION

FIG. 1 is a front, right and top perspective view of a door knob showing my new design;
FIG. 2 is a rear, left and bottom perspective view thereof;
FIG. 3 is a front view thereof;
FIG. 4 is a rear view thereof;
FIG. 5 is a left side view thereof;
FIG. 6 is a right side view thereof;
FIG. 7 is a top plan view thereof; and,
FIG. 8 is a bottom plan view thereof.

1 Claim, 8 Drawing Sheets



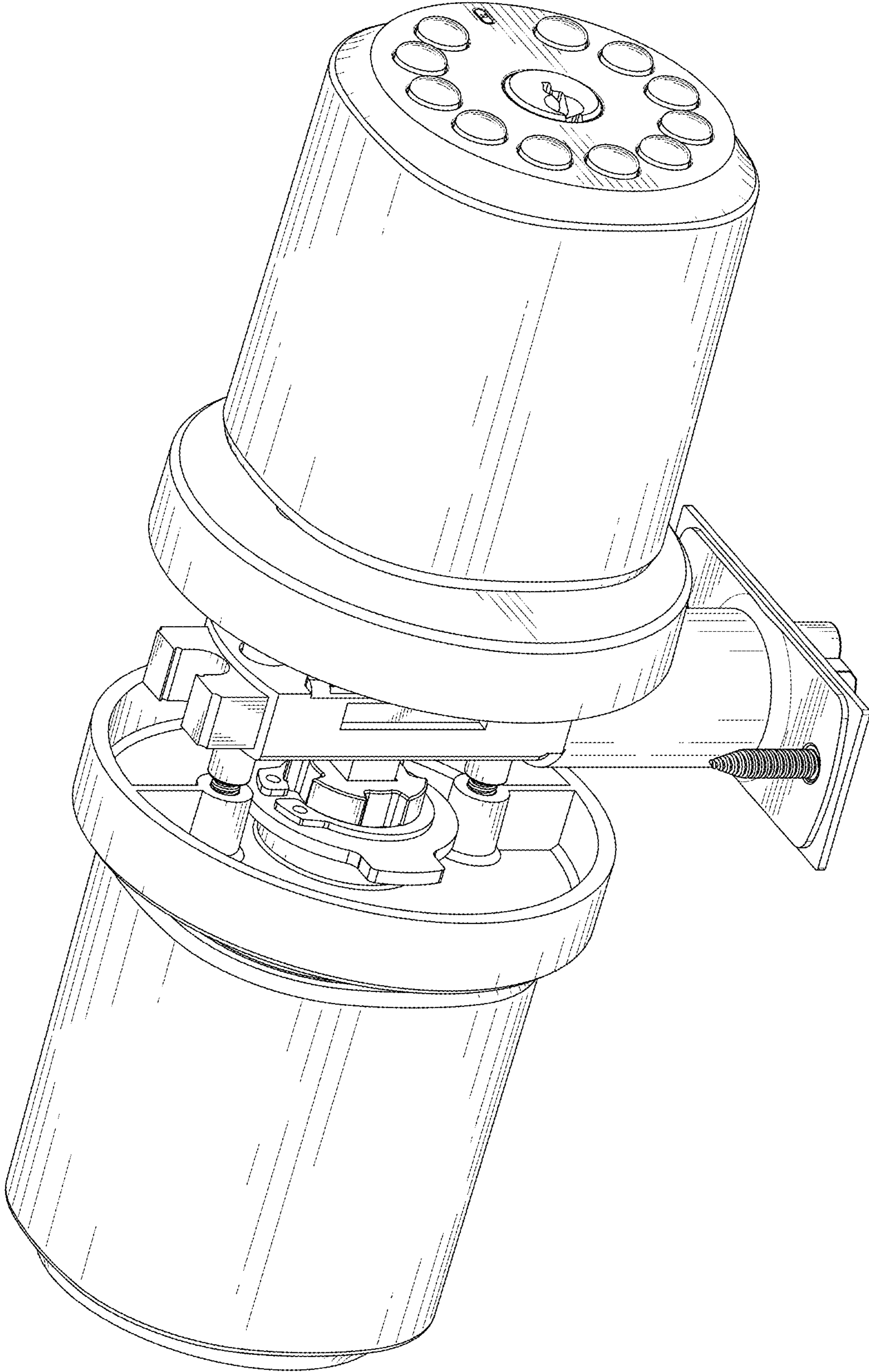


FIG. 1

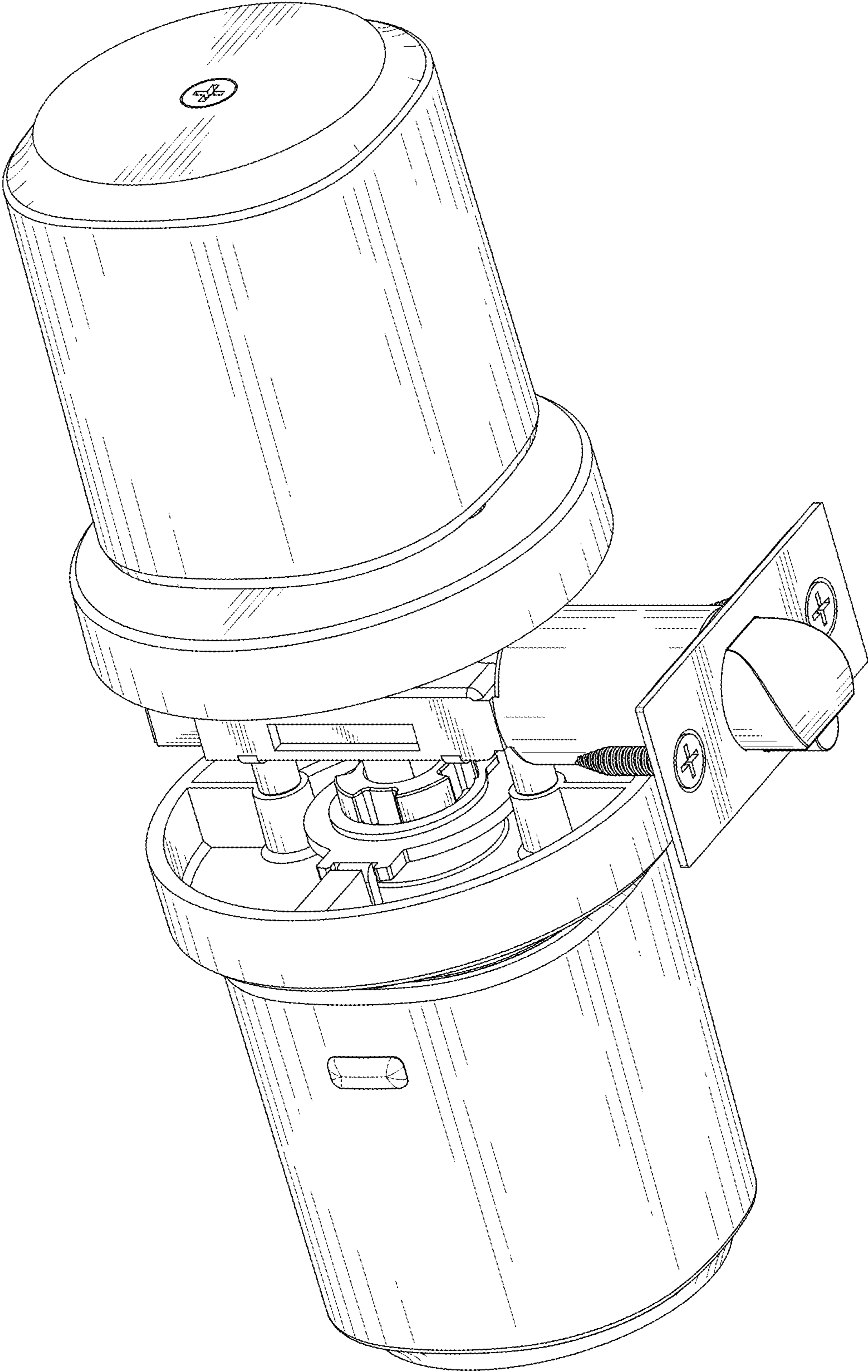


FIG. 2

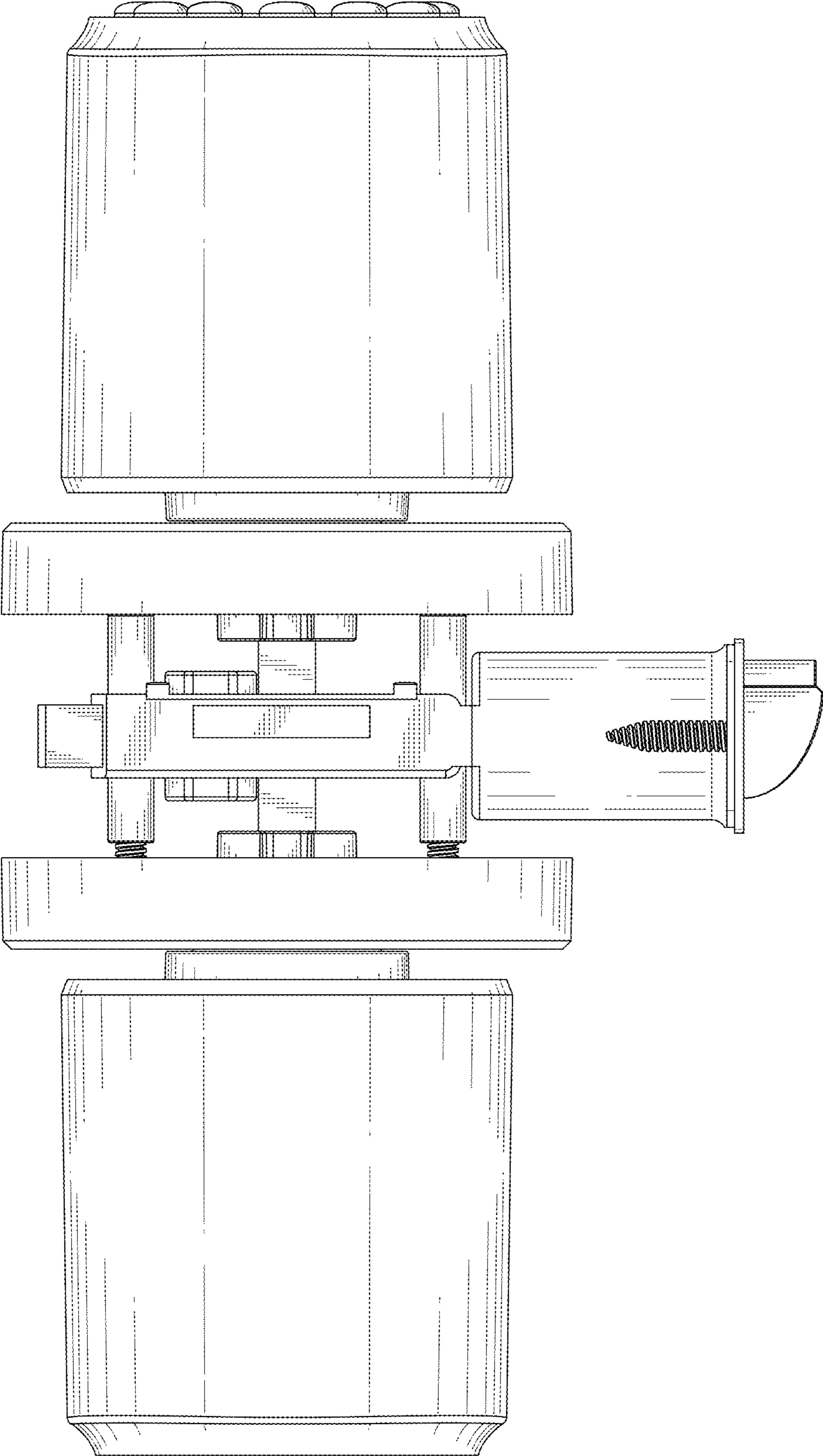


FIG. 3

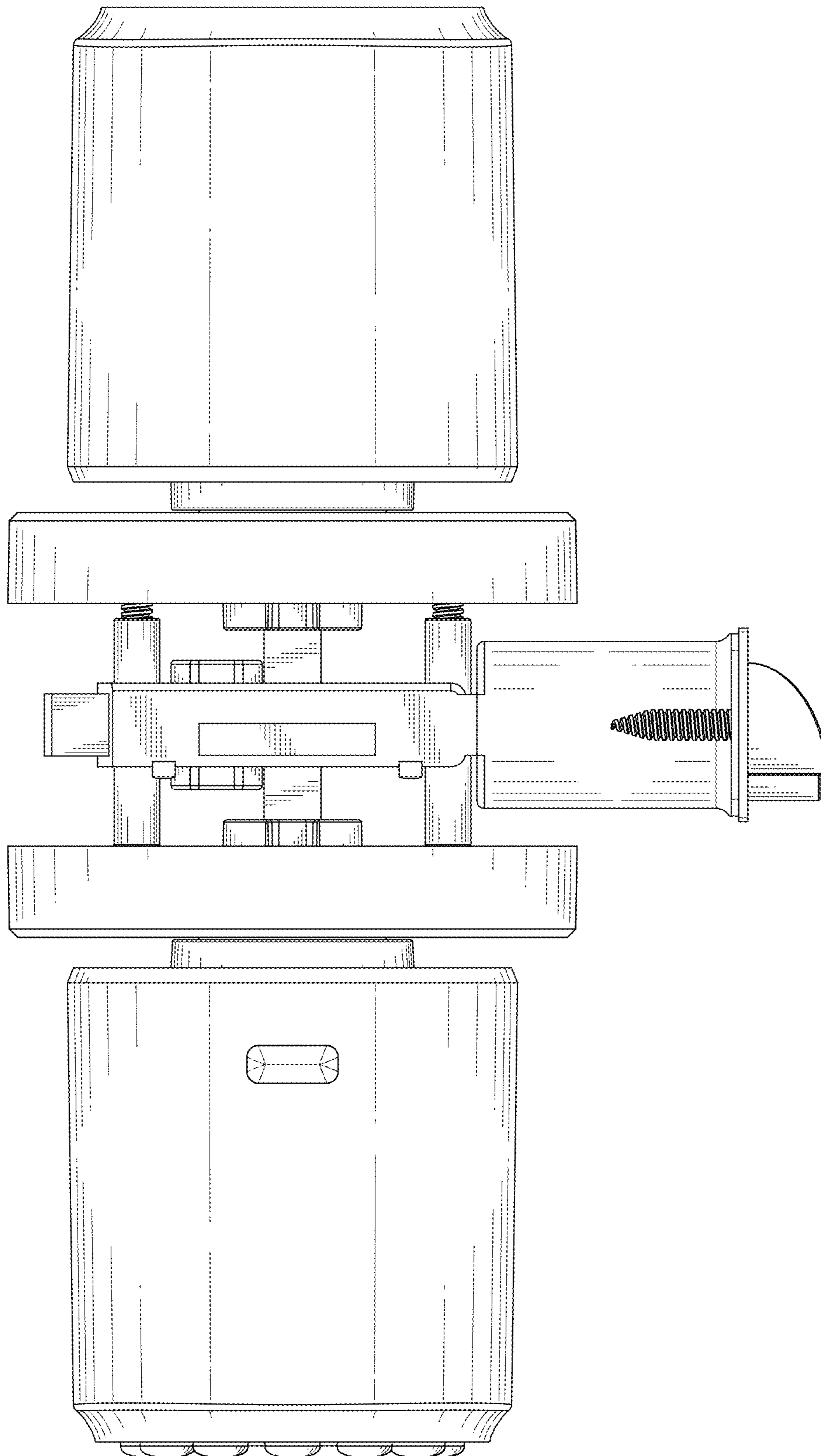


FIG. 4

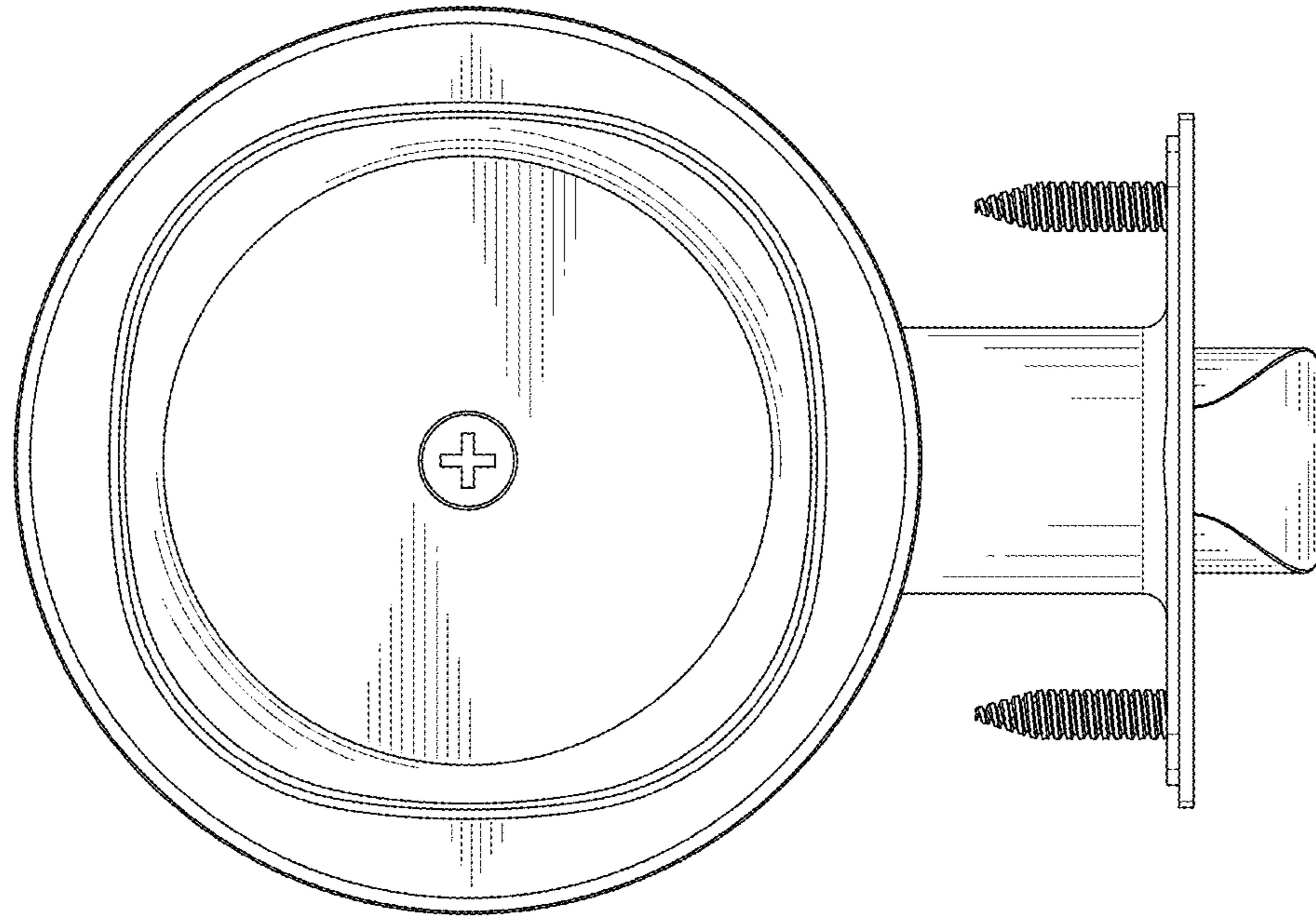


FIG. 5

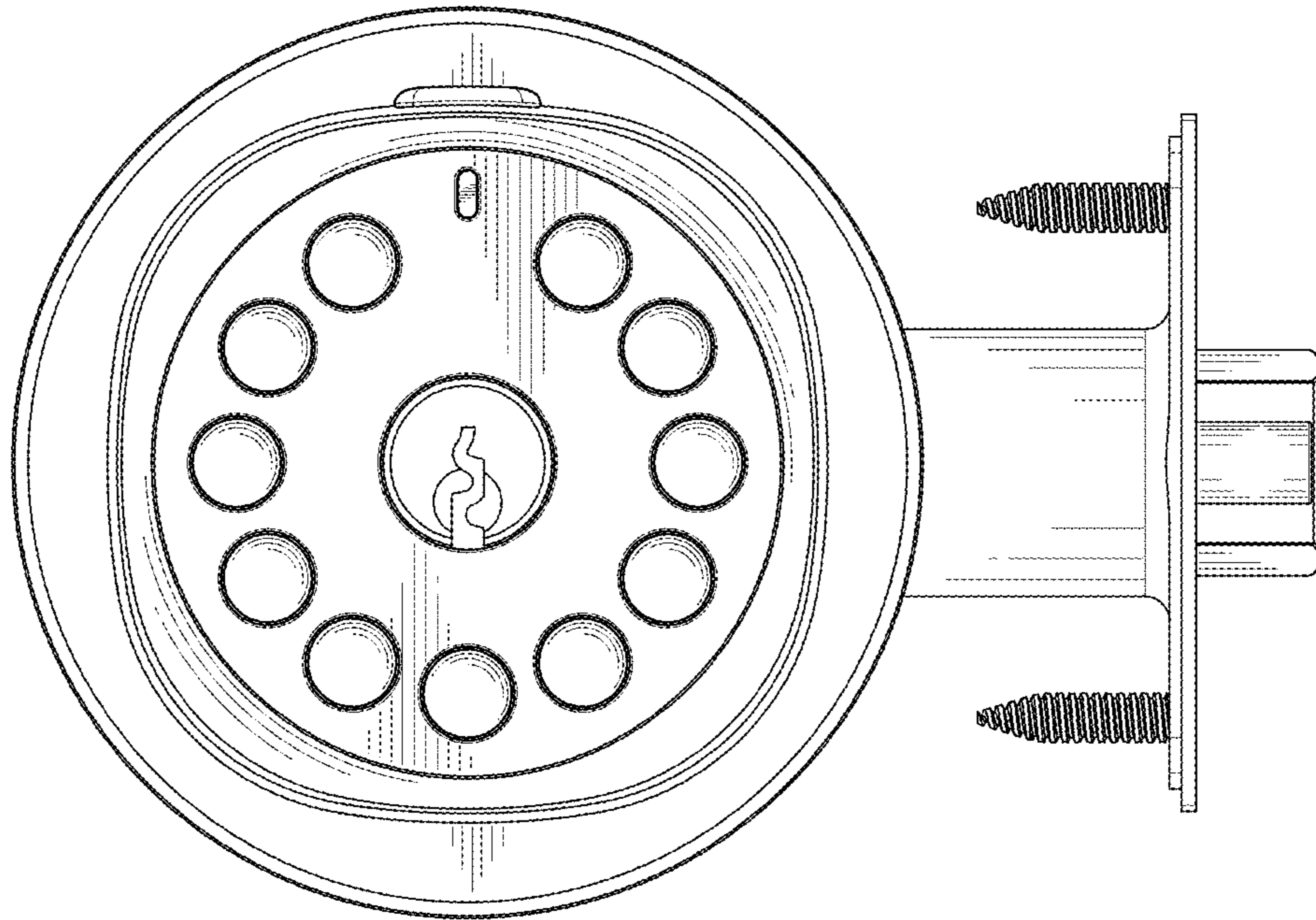


FIG. 6

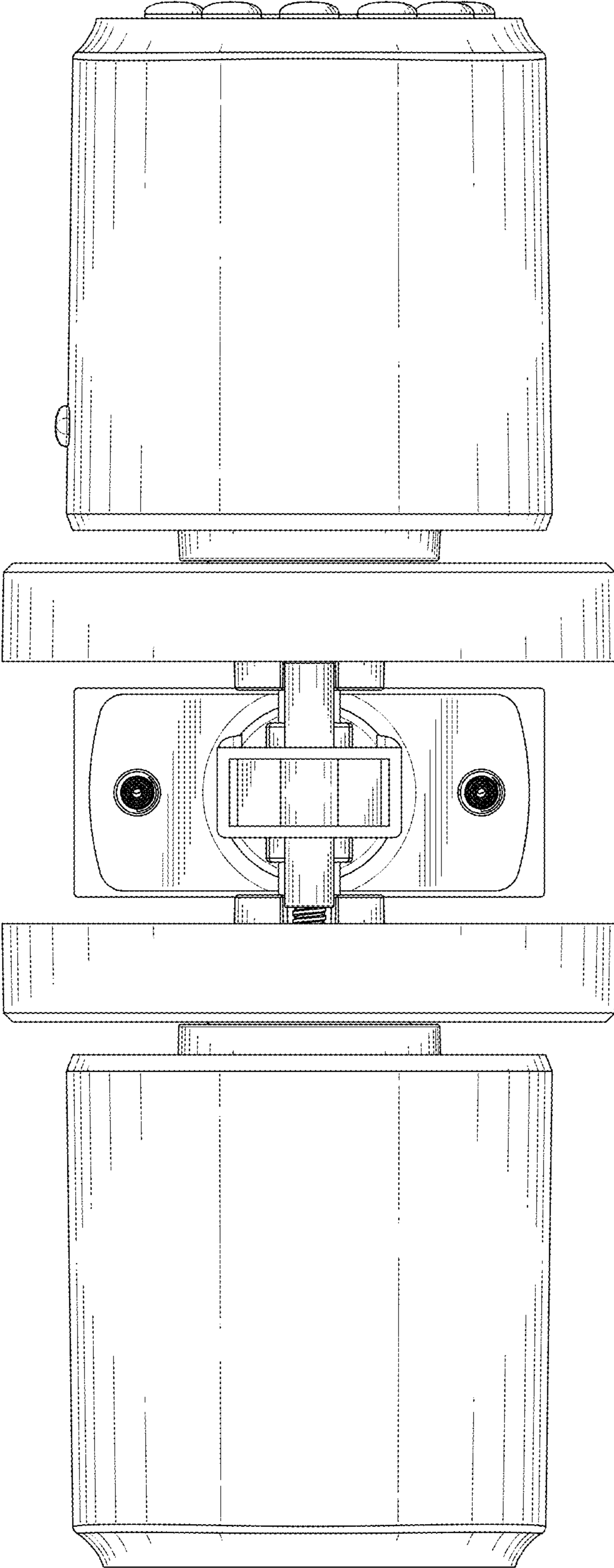


FIG. 7

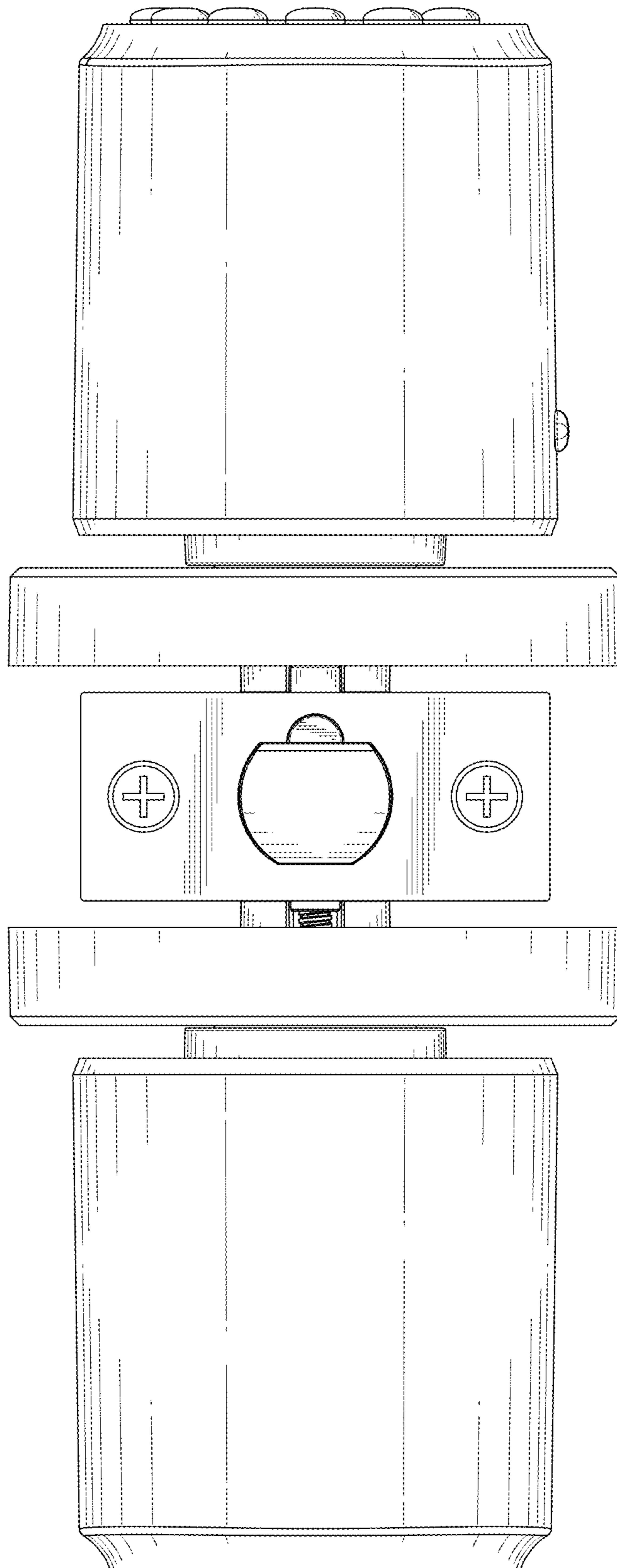


FIG. 8