



US00D970997S

(12) **United States Design Patent** (10) **Patent No.:** **US D970,997 S**
Härdig et al. (45) **Date of Patent:** **** Nov. 29, 2022**

(54) **CUTTING TOOL**
(71) Applicant: **Wood Tube Sweden AB**, Grums (SE)
(72) Inventors: **Kurt Härdig**, Grums (SE); **Dag Gimleström**, Grums (SE); **Tobias Söderbom Olsson**, Grums (SE)
(73) Assignee: **WOOD TUBE SWEDEN AB**
(**) Term: **15 Years**
(21) Appl. No.: **29/774,838**
(22) Filed: **Mar. 19, 2021**
(51) **LOC (13) Cl.** **08-03**
(52) **U.S. Cl.**
USPC **D8/52; D8/5**
(58) **Field of Classification Search**
USPC D8/4, 5, 51-60
CPC B26B 17/02
See application file for complete search history.

(56) **References Cited**
U.S. PATENT DOCUMENTS
3,934,286 A * 1/1976 Metzinger B25C 11/02
7/137
D356,719 S * 3/1995 Choi D8/52
D386,369 S * 11/1997 Lin D8/5
D398,499 S * 9/1998 Ronan D8/52
D400,071 S * 10/1998 Wang D8/52
D416,452 S * 11/1999 Budrow D8/5
D424,899 S * 5/2000 Jaime D8/52

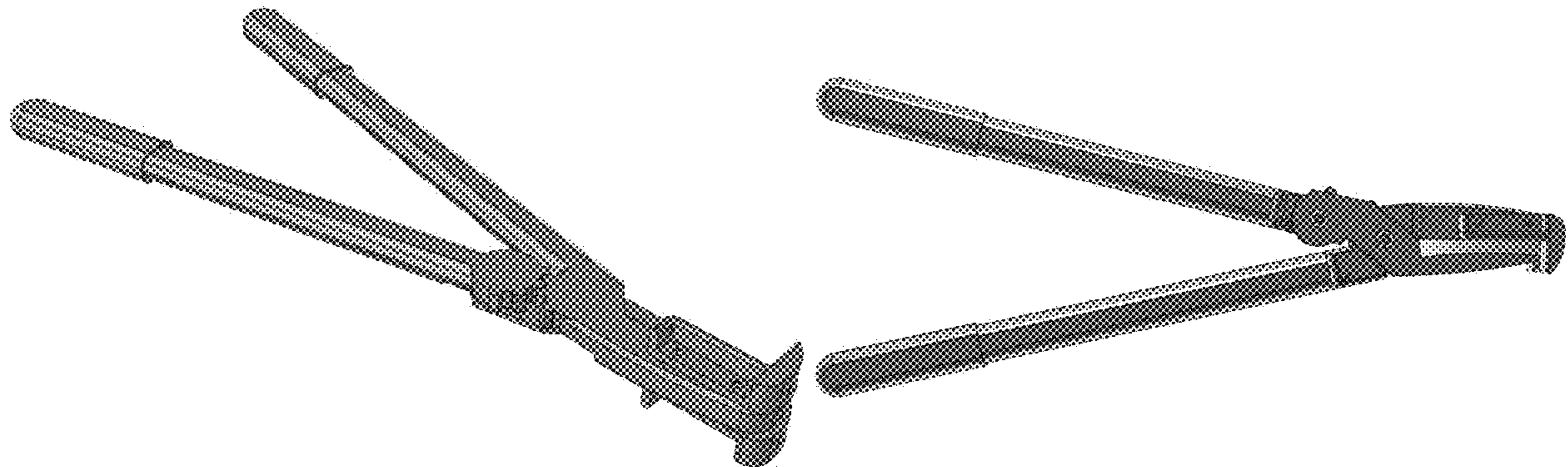
D427,036 S * 6/2000 Ronan D8/52
D434,955 S * 12/2000 Ronan D8/5
D455,329 S * 4/2002 Renner D8/52
D462,247 S * 9/2002 Hackman D8/52
D500,942 S * 1/2005 Lai D8/5
D510,002 S * 9/2005 Lai D8/5
D558,003 S * 12/2007 Lai D8/5
D702,521 S * 4/2014 Jang Soo D7/693
D740,634 S * 10/2015 Descombes D8/58

* cited by examiner
Primary Examiner — Deanna L Pratt
(74) *Attorney, Agent, or Firm* — Schott, P.C.

(57) **CLAIM**
The ornamental design for a cutting tool, as shown and described.

DESCRIPTION
The patent or application file contains at least one drawing executed in color. Copies of this patent or patent application publication with color drawing(s) will be provided by the Office upon request and payment of the necessary fee.
FIG. 1 is a top perspective view of a cutting tool.
FIG. 2 is a right side view thereof.
FIG. 3 is a bottom view thereof.
FIG. 4 is a left side view thereof.
FIG. 5 is a rear view thereof.
FIG. 6 is a front view thereof; and,
FIG. 7 is a top view thereof.

1 Claim, 7 Drawing Sheets
(7 of 7 Drawing Sheet(s) Filed in Color)



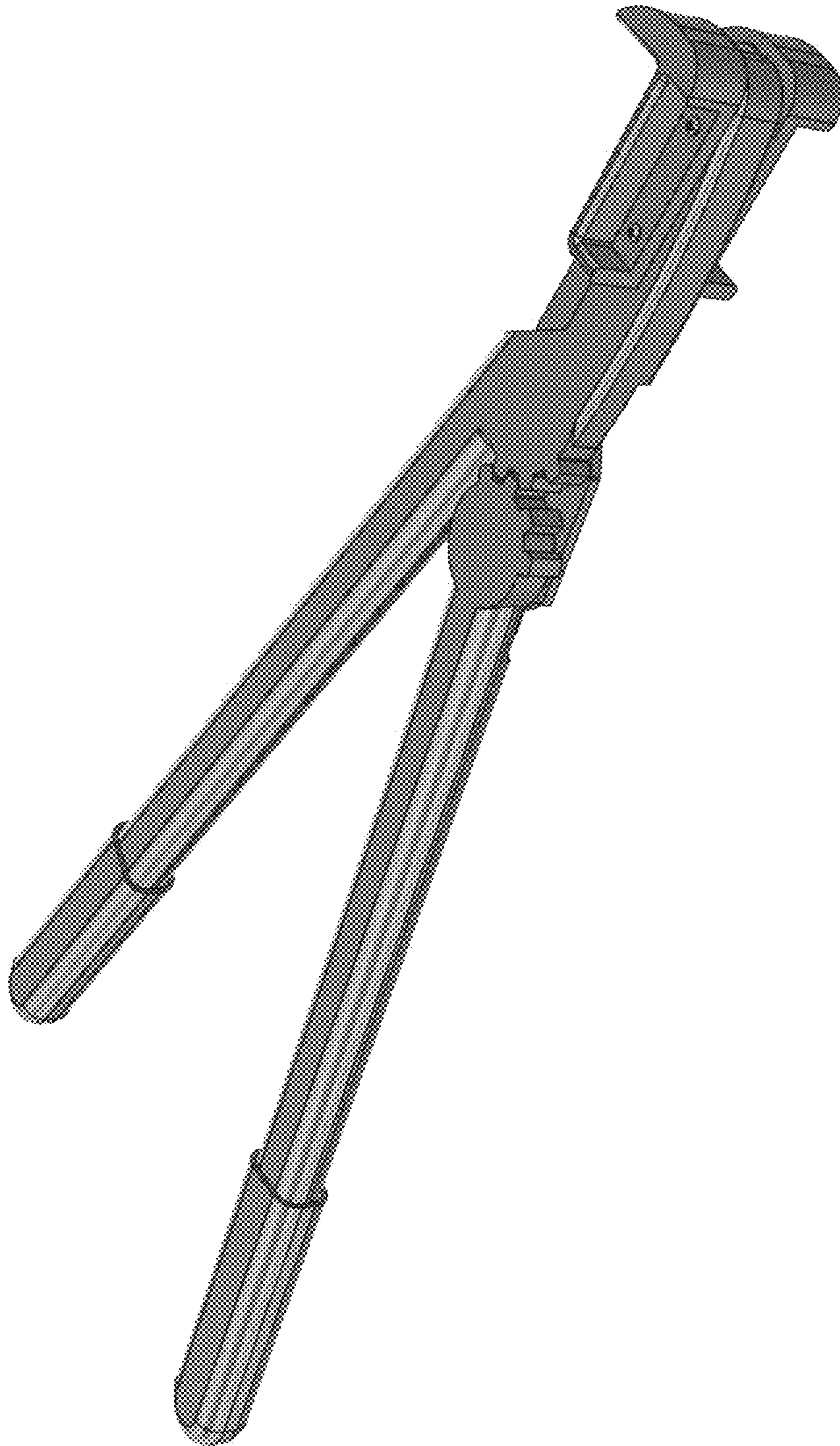


FIG. 1

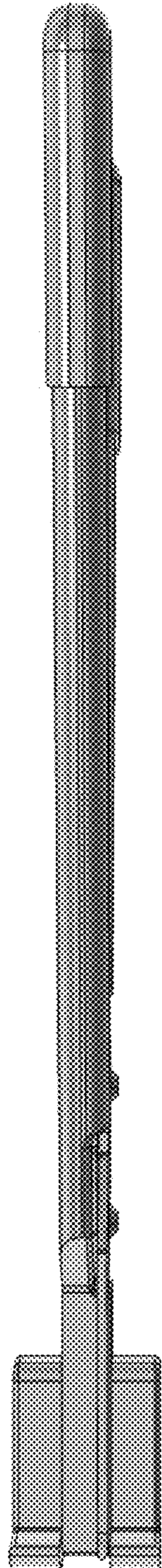


FIG. 2

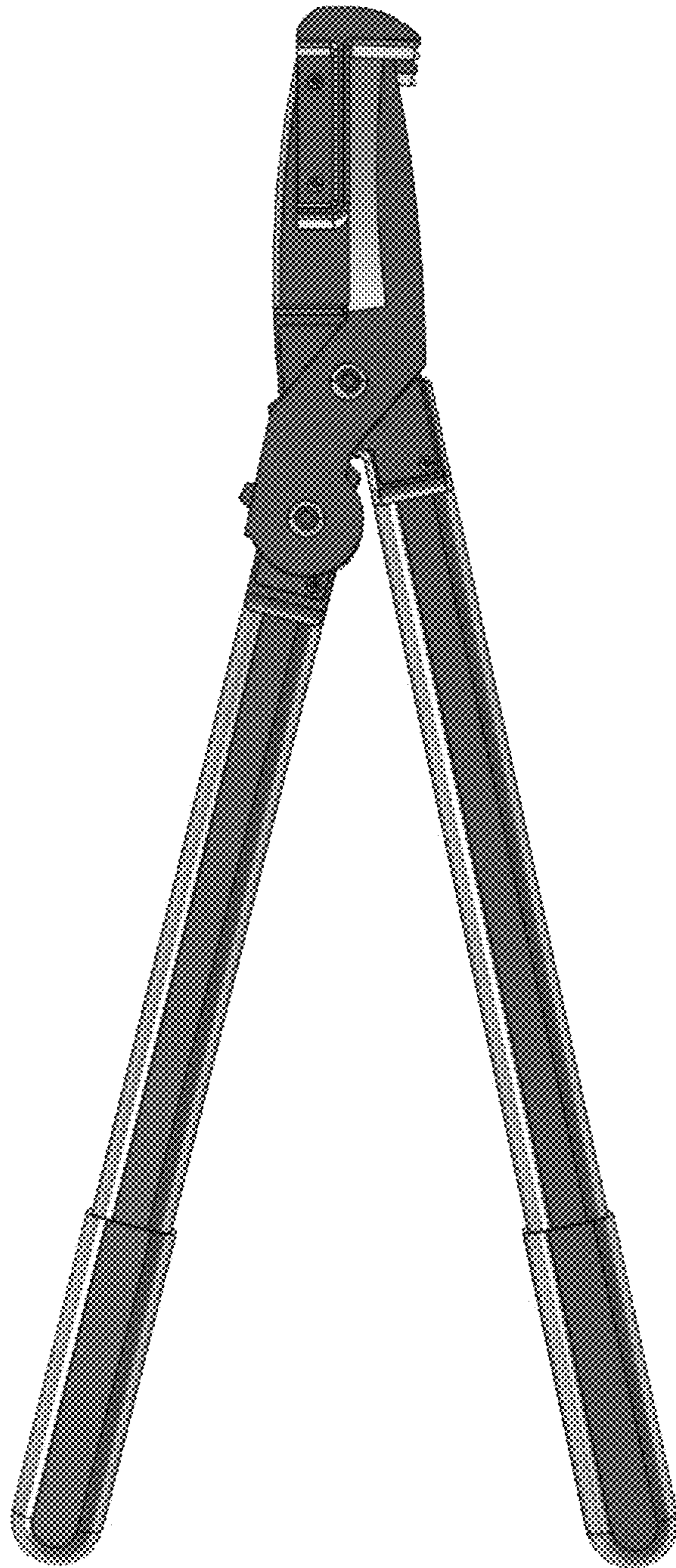


FIG. 3

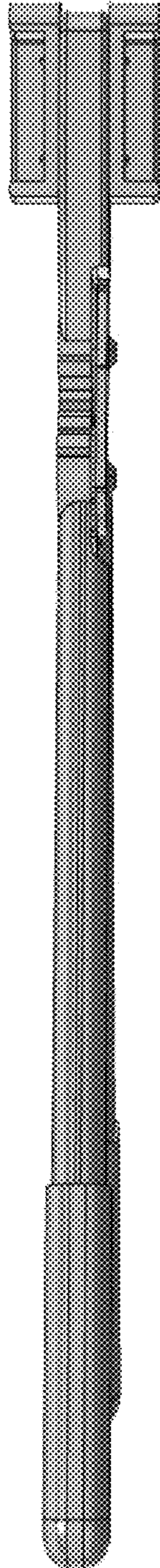


FIG. 4

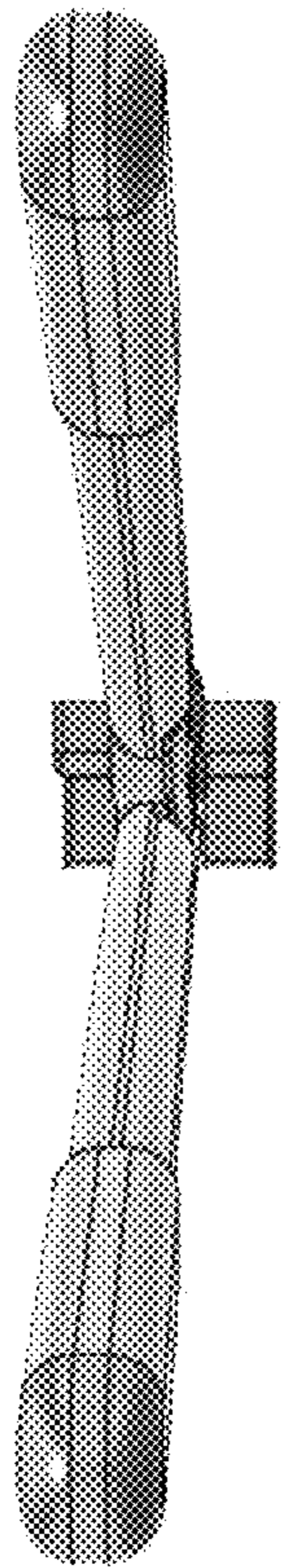


FIG. 5

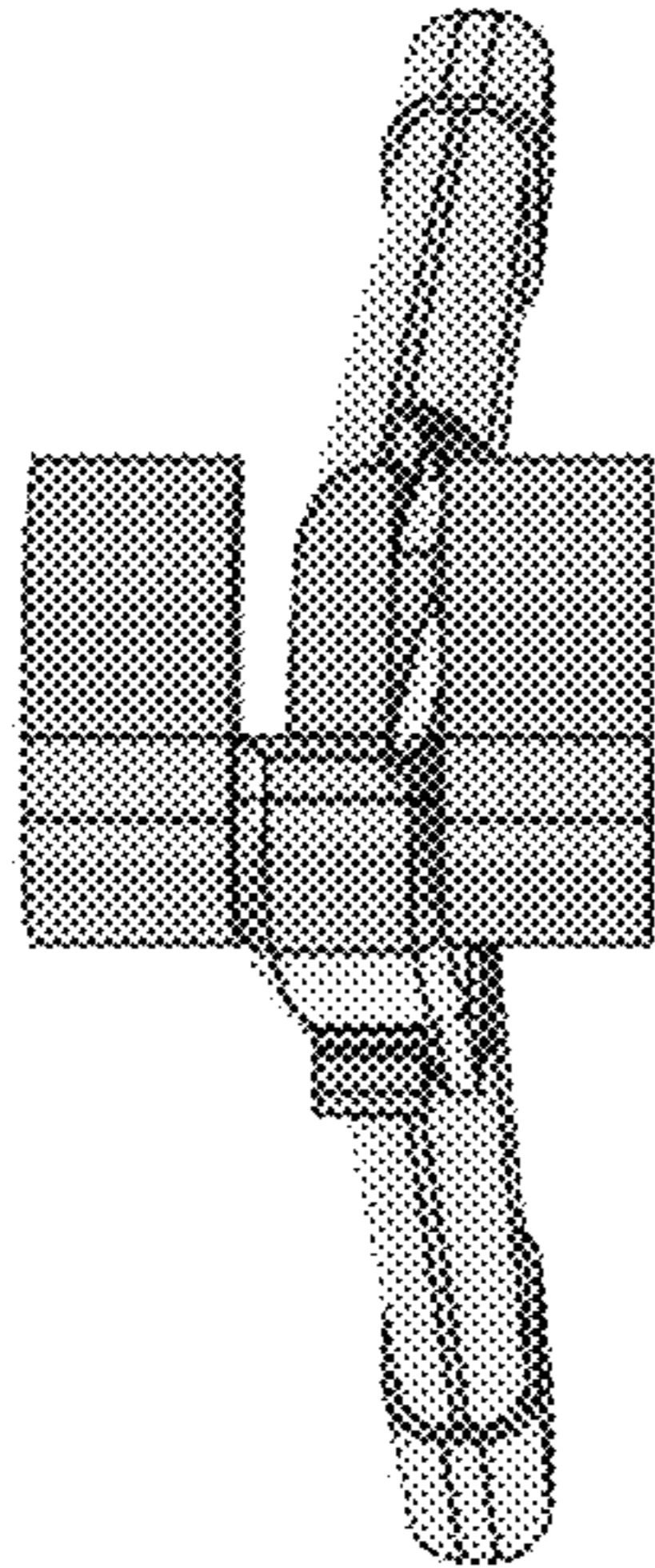


FIG. 6

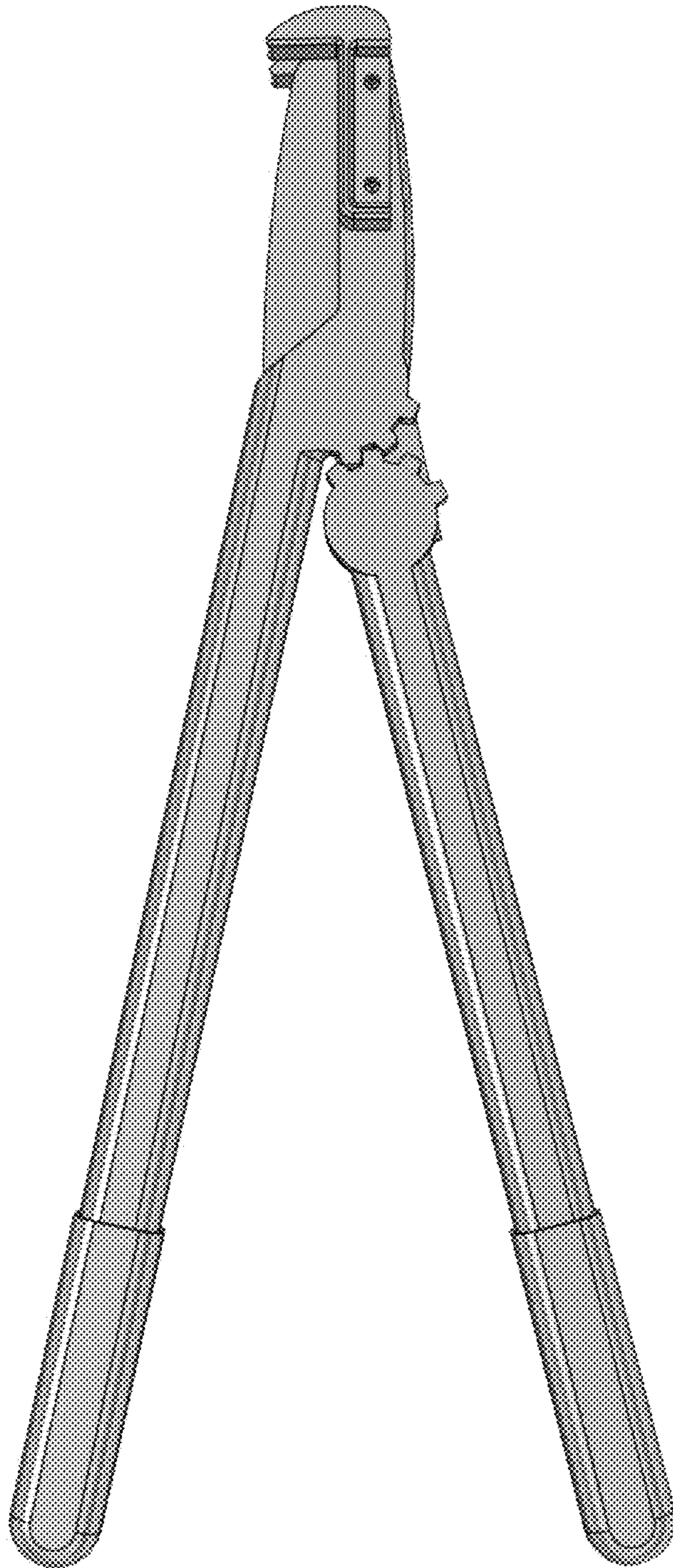


FIG. 7