



US00D970996S

(12) **United States Design Patent** (10) **Patent No.:** **US D970,996 S**
Lin (45) **Date of Patent:** **** Nov. 29, 2022**

(54) **WIRE STRIPPER**
(71) Applicant: **Hanlong Industrial Co., Ltd.**, New Taipei (TW)
(72) Inventor: **Pai-Wei Lin**, New Taipei (TW)
(73) Assignee: **Hanlong Industrial Co., Ltd.**, New Taipei (TW)

D899,206 S * 10/2020 Weisheit D8/52
D901,268 S * 11/2020 Liao D8/52
D901,269 S * 11/2020 Liao D8/52
D901,270 S * 11/2020 Liao D8/52
D901,271 S * 11/2020 Liao D8/52
D901,272 S * 11/2020 Liao D8/52

(Continued)

(**) Term: **15 Years**

FOREIGN PATENT DOCUMENTS

CN 306334163 * 2/2021
WO WOD219321-002 * 3/2022

(21) Appl. No.: **29/757,086**

OTHER PUBLICATIONS

(22) Filed: **Nov. 3, 2020**
(51) **LOC (13) Cl.** **08-05**
(52) **U.S. Cl.**
USPC **D8/52**
(58) **Field of Classification Search**
USPC D8/34, 55, 51, 52, 21-26, 75, 105-107;
D24/107
CPC B25B 7/02; B25B 25/005; B25B 7/123;
F15L 33/03; H02G 1/12; H02G 1/1204;
B25F 1/003; B26B 13/16
See application file for complete search history.

HT-553A5YA 8.74" (222mm) For crimping & cutting open-pass RJ45 modular plug, Google.com, [online], [site visited May 31, 2022], Available from internet URL: http://www.hanlong.com.tw/index.php?do=product_details&tpid=43&id=188 (Year: NA).*

(Continued)

Primary Examiner — Leanne Was-Englehart
(74) *Attorney, Agent, or Firm* — Alan D. Kamrath; Karin L. Williams; Mayer & Williams PC

(56) **References Cited**

(57) **CLAIM**

The ornamental design for a wire stripper, as shown and described.

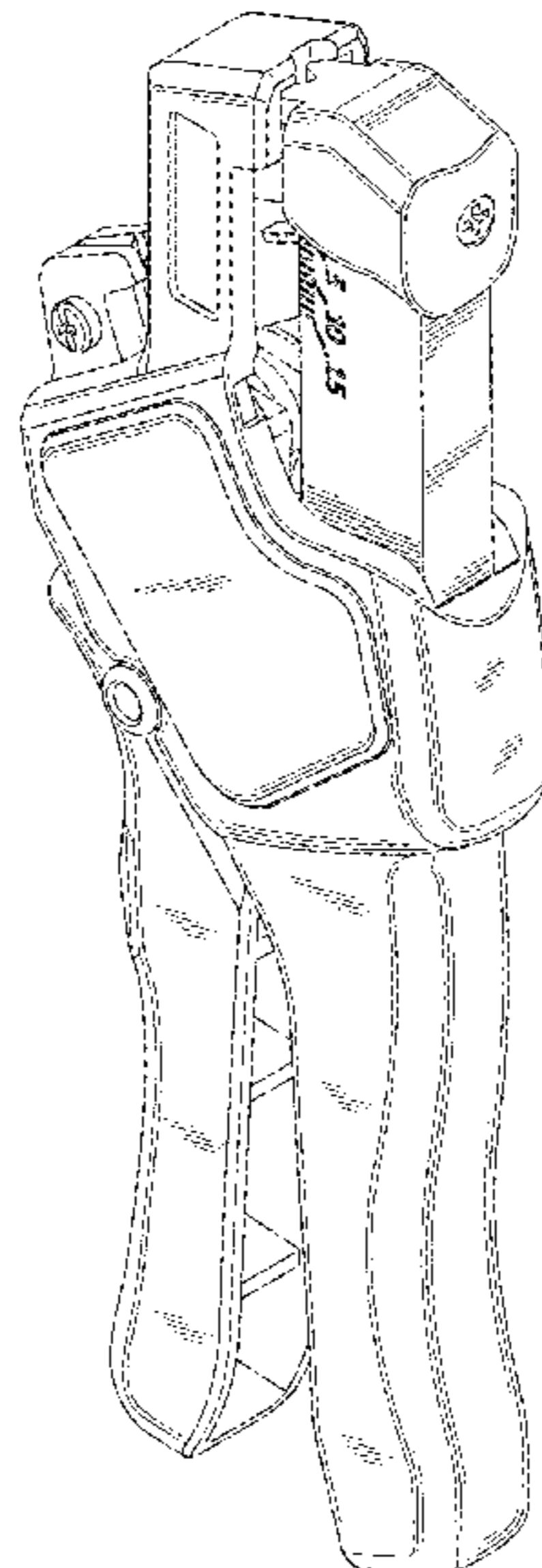
U.S. PATENT DOCUMENTS

DESCRIPTION

D245,752 S * 9/1977 Wiener D8/58
D276,496 S * 11/1984 Yokoyama D8/52
D506,660 S * 6/2005 Chen D8/52
D544,323 S * 6/2007 Hutchfield D8/52
D592,473 S * 5/2009 Storm D8/52
D686,052 S * 7/2013 Steiner D8/52
D693,196 S * 11/2013 Hutchfield D8/51
D693,197 S * 11/2013 Hutchfield D8/51
D693,198 S * 11/2013 Hutchfield D8/51
D759,452 S * 6/2016 Persson D8/52
D760,051 S * 6/2016 Tsai D8/52
D768,451 S * 10/2016 Persson D8/52
D771,458 S * 11/2016 Yen D8/52
D864,686 S * 10/2019 Jonasson D8/52

FIG. 1 is a perspective view of a wire stripper, showing my new design;
FIG. 2 is a front view thereof;
FIG. 3 is a rear view thereof;
FIG. 4 is a left view thereof;
FIG. 5 is a right view thereof;
FIG. 6 is a top view thereof; and,
FIG. 7 is a bottom view thereof.
The broken lines depict portions of the wire stripper that form no part of the claimed design.

1 Claim, 6 Drawing Sheets



(56)

References Cited

U.S. PATENT DOCUMENTS

D903,451	S	*	12/2020	Liao	D8/52
D906,075	S	*	12/2020	Liao	D8/52
D924,025	S	*	7/2021	Ullbors	D8/52
D924,026	S	*	7/2021	Ullbors	D8/52
D950,341	S	*	5/2022	Chiang	D8/51

OTHER PUBLICATIONS

Irwin Vise-Grip Wire Stripper, Self-Adjusting, 8-Inch (2078300), Google.com, [online], [site visited May 31, 2022], Available from internet URL: <https://www.amazon.com/IRWIN-VISE-GRIP-2078300-Self-Adjusting-Stripper/dp/B0000OQ21CA> (Year: NA).*

* cited by examiner

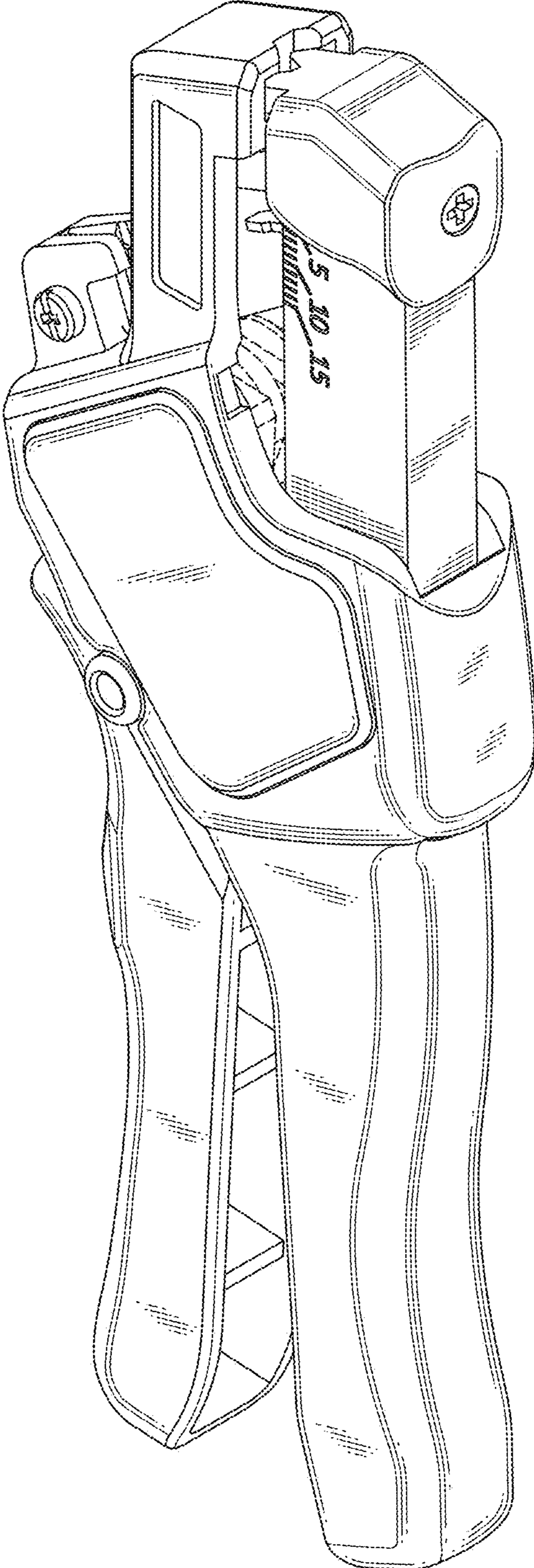


FIG. 1

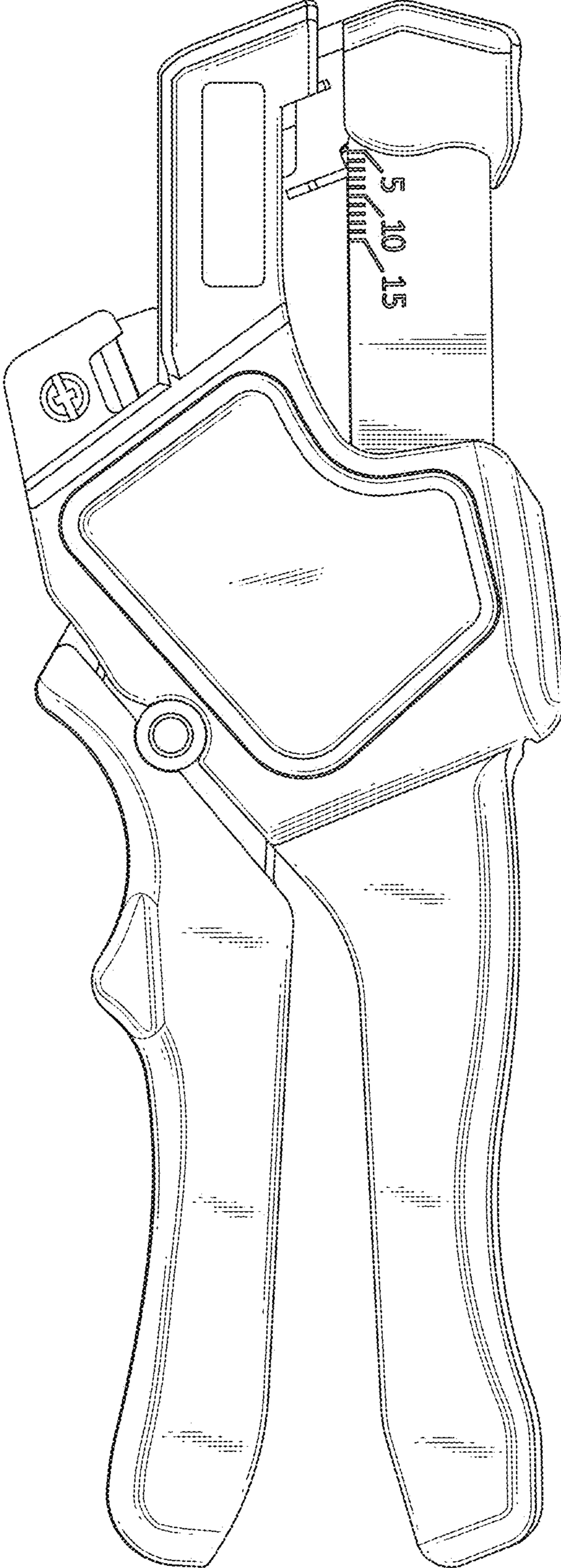


FIG. 2

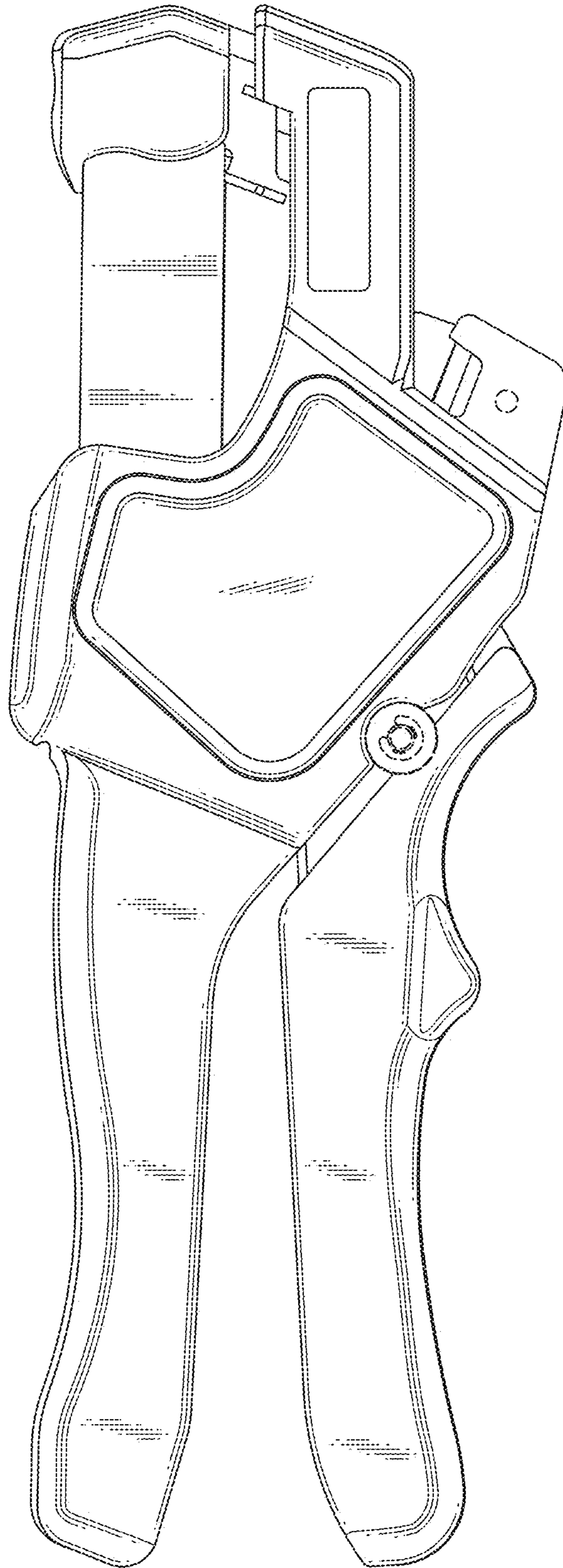


FIG. 3

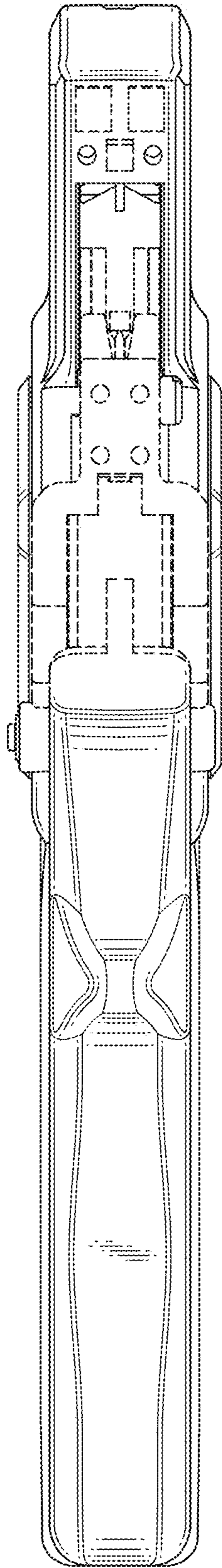


FIG. 4

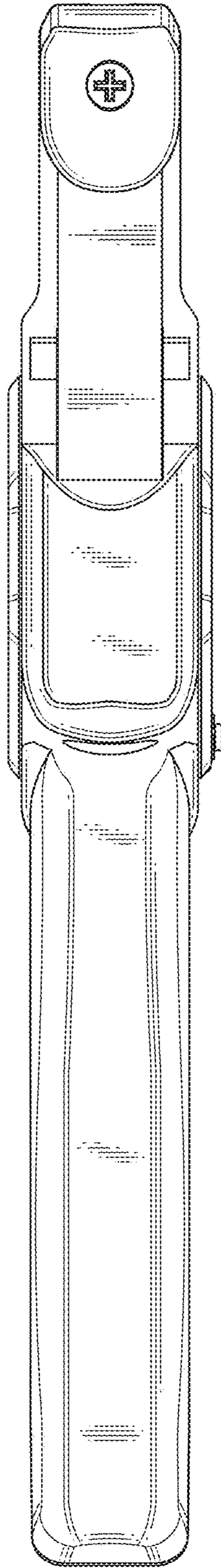


FIG. 5

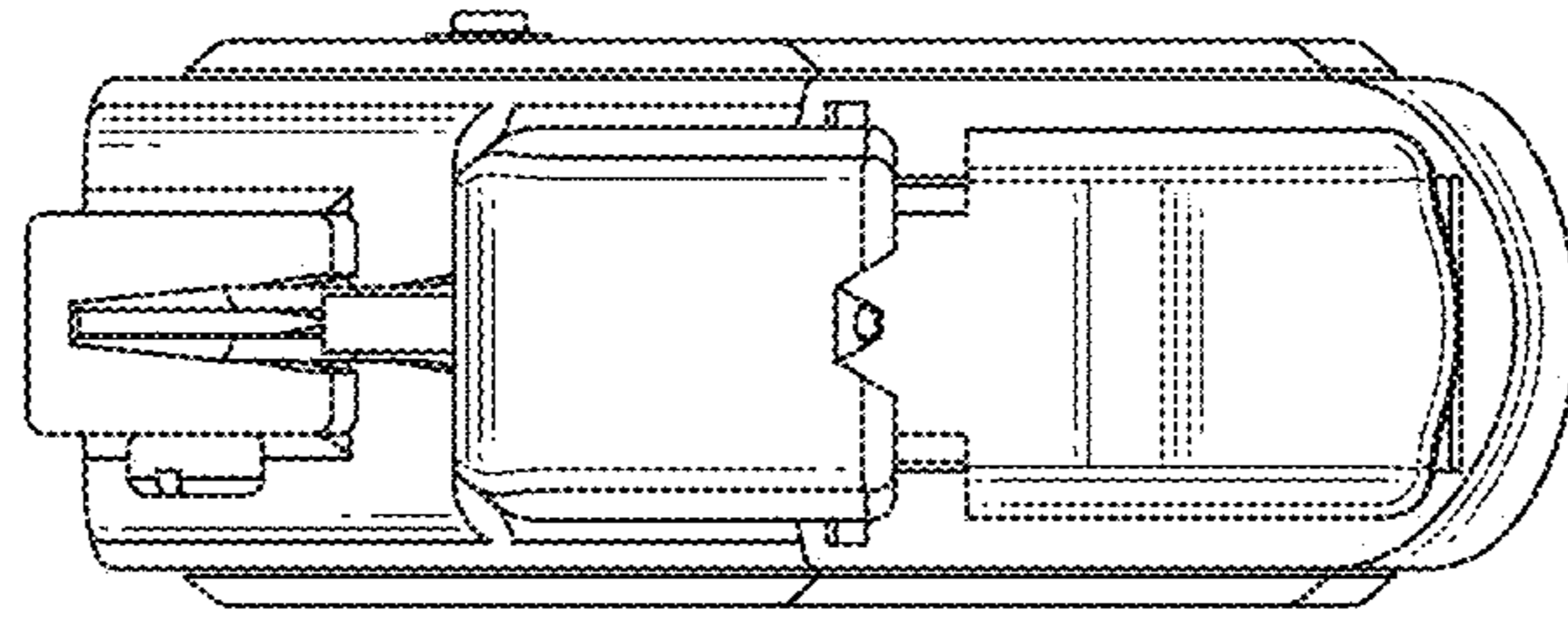


FIG. 6

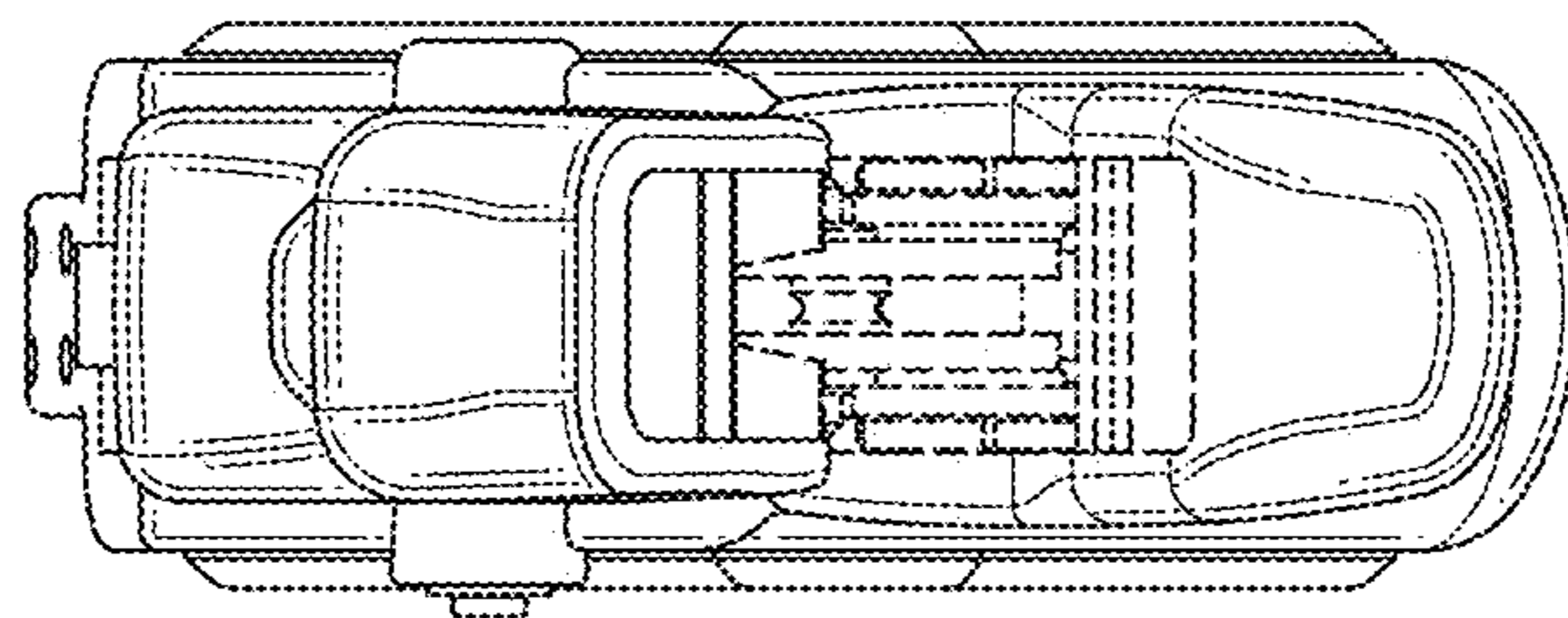


FIG. 7