



US00D970994S

(12) **United States Design Patent**
Liu

(10) **Patent No.:** **US D970,994 S**

(45) **Date of Patent:** **** Nov. 29, 2022**

(54) **FISHING PLIERS**

(71) Applicant: **Rapala VMC Oyj, Helsinki (FI)**

(72) Inventor: **Meng Da Liu, Edina, MN (US)**

(73) Assignee: **Rapala VMC Oyj, Helsinki (FI)**

(**) Term: **15 Years**

(21) Appl. No.: **29/736,847**

(22) Filed: **Jun. 3, 2020**

(51) **LOC (13) Cl.** **08-05**

(52) **U.S. Cl.**
USPC **D8/52**

(58) **Field of Classification Search**
USPC D8/51-60; D22/149
CPC B25B 7/14; B26B 13/16
See application file for complete search history.

(56) **References Cited**

U.S. PATENT DOCUMENTS

D477,508 S *	7/2003	Brady	D8/52
D501,378 S *	2/2005	Tatic	D8/5
7,100,481 B2 *	9/2006	Hartranft	B25B 7/00
				81/417
7,143,672 B1 *	12/2006	Di Bitonto	B25B 7/18
				81/417
D548,555 S *	8/2007	Brady	D8/52
D705,023 S *	5/2014	Chen	D8/5
D722,851 S *	2/2015	Constantine	D8/52

D724,908 S *	3/2015	Constantine	D8/4
9,415,485 B2 *	8/2016	Steele	B25B 7/02
D795,033 S *	8/2017	Lee	D8/57
D799,928 S *	10/2017	Lee	D8/57
D828,737 S *	9/2018	Constantine	D8/52
D879,571 S *	3/2020	Thomas	D8/52
D897,167 S *	9/2020	Nelson	D13/170
D897,168 S *	9/2020	Weber	D8/5
2004/0163495 A1 *	8/2004	Konen	B25B 7/18
				81/9.4
2011/0167642 A1 *	7/2011	Steele	B25B 7/14
				81/319
2016/0294168 A1 *	10/2016	Hoppe	B25B 7/14

* cited by examiner

Primary Examiner — Deanna L Pratt

(74) *Attorney, Agent, or Firm* — Dority & Manning, P.A.

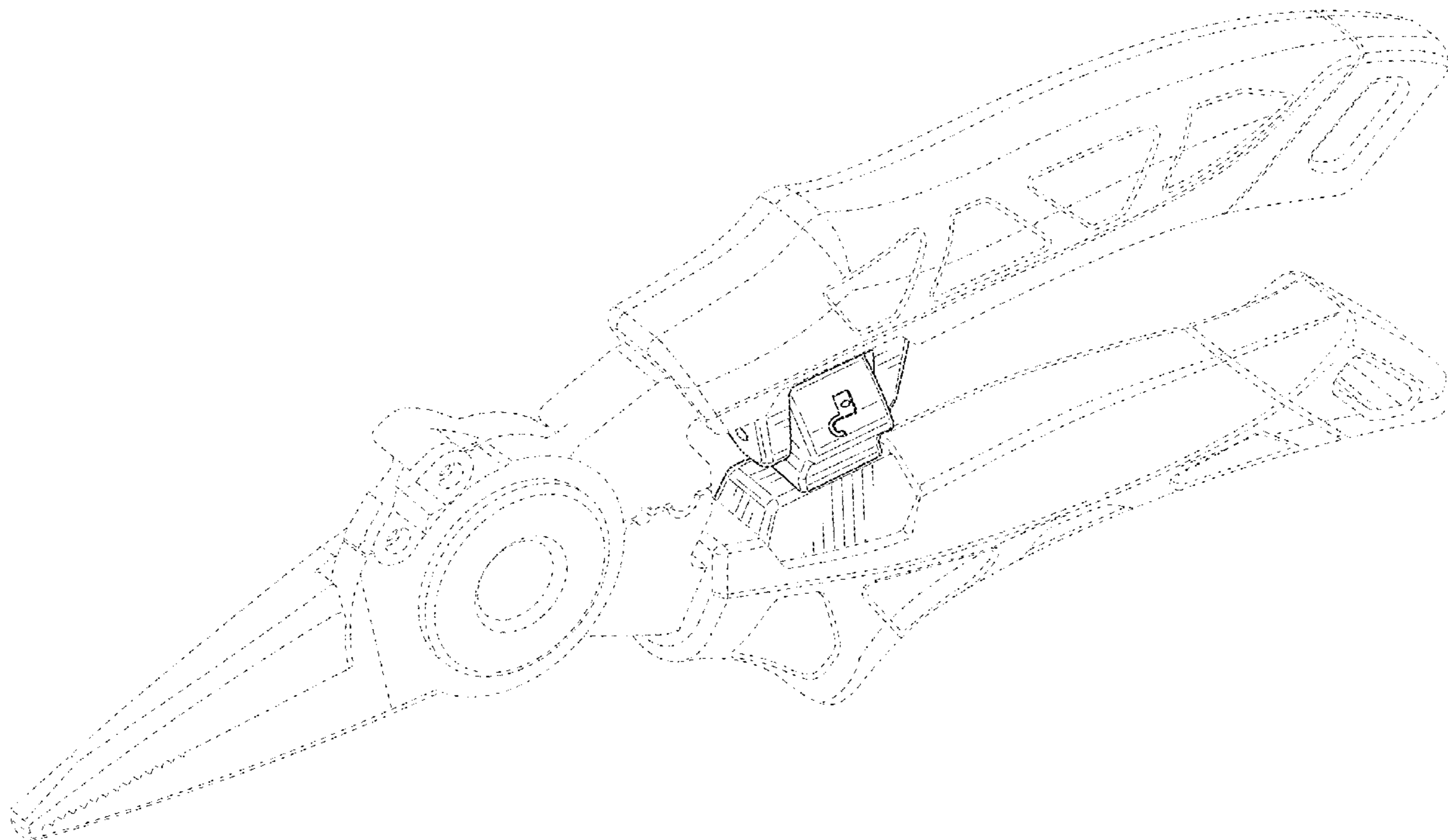
(57) **CLAIM**

The ornamental design for fishing pliers, as shown and described.

DESCRIPTION

FIG. 1 is a perspective view of the fishing pliers;
FIG. 2 is a side view of the fishing pliers of FIG. 1;
FIG. 3 is another side view of the fishing pliers of FIG. 1;
FIG. 4 is a top view of the fishing pliers of FIG. 1;
FIG. 5 is a bottom view of the fishing pliers of FIG. 1;
FIG. 6 is a front view of the fishing pliers of FIG. 1; and,
FIG. 7 is a rear view of the fishing pliers of FIG. 1.
The broken lines shown in the Figures represent portions of the fishing pliers that form no part of the claimed design.

1 Claim, 5 Drawing Sheets



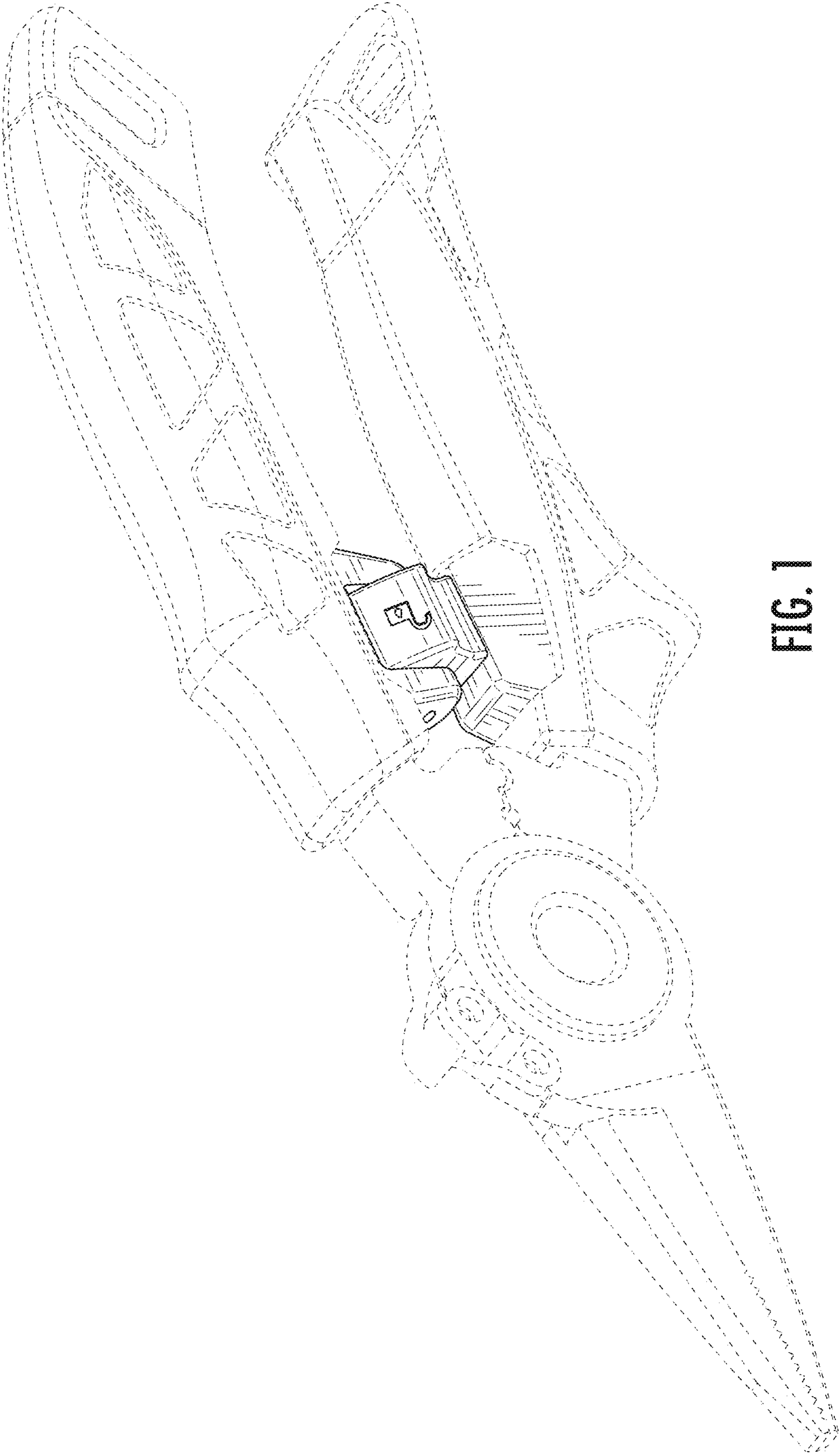


FIG. 1

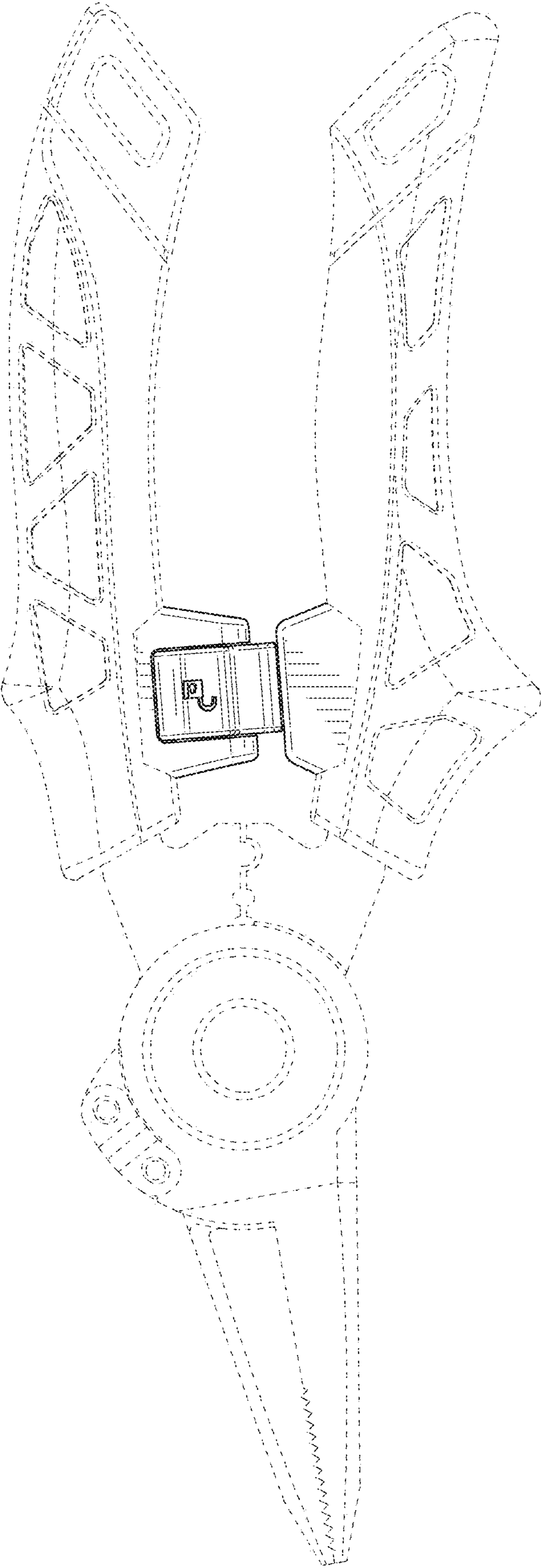


FIG. 2

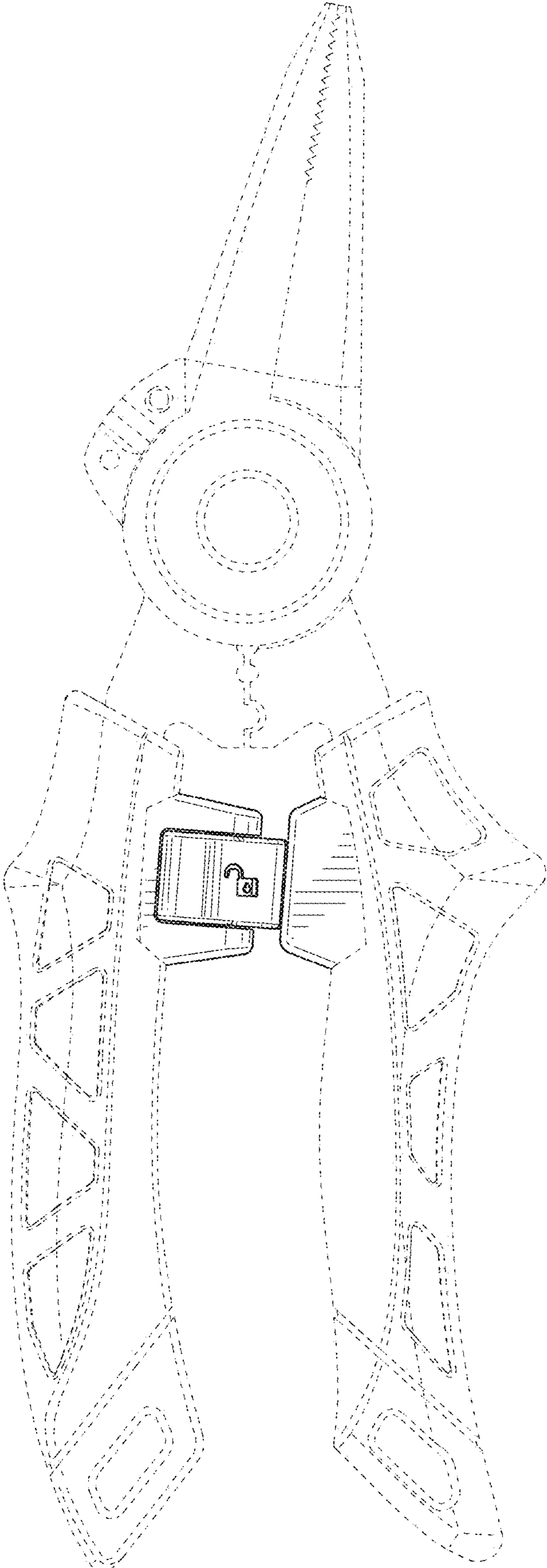


FIG. 3

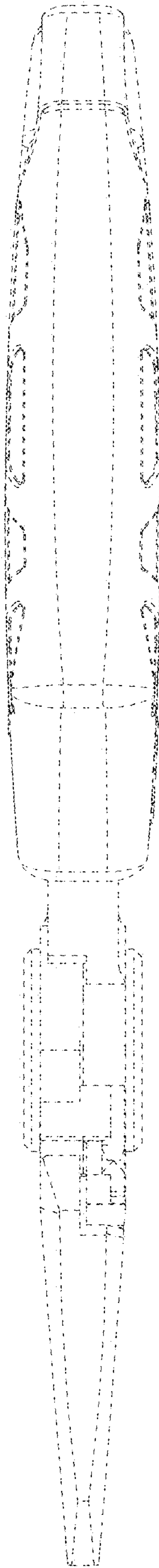


FIG. 4

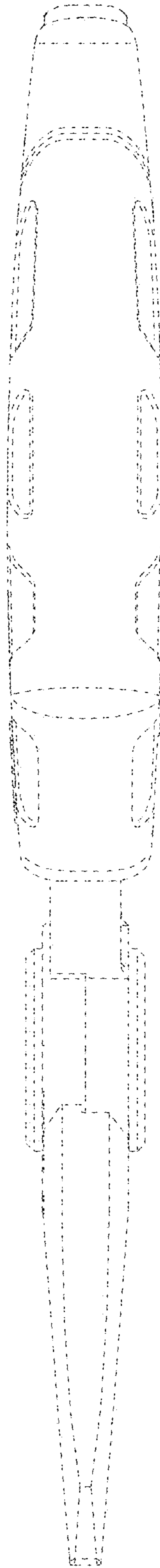


FIG. 5

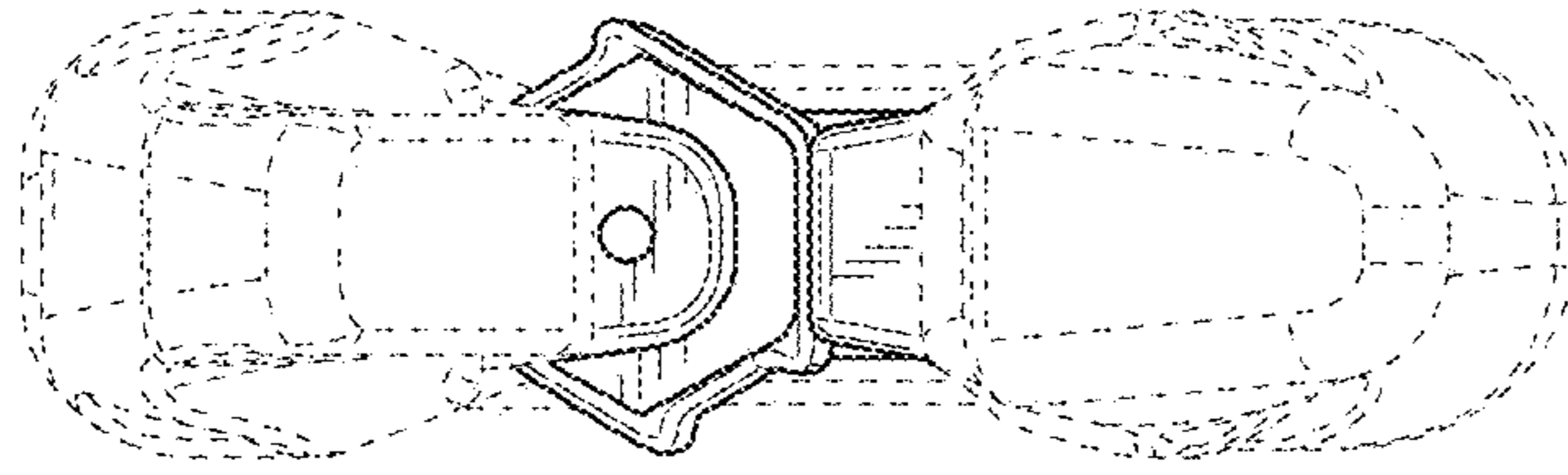


FIG. 6

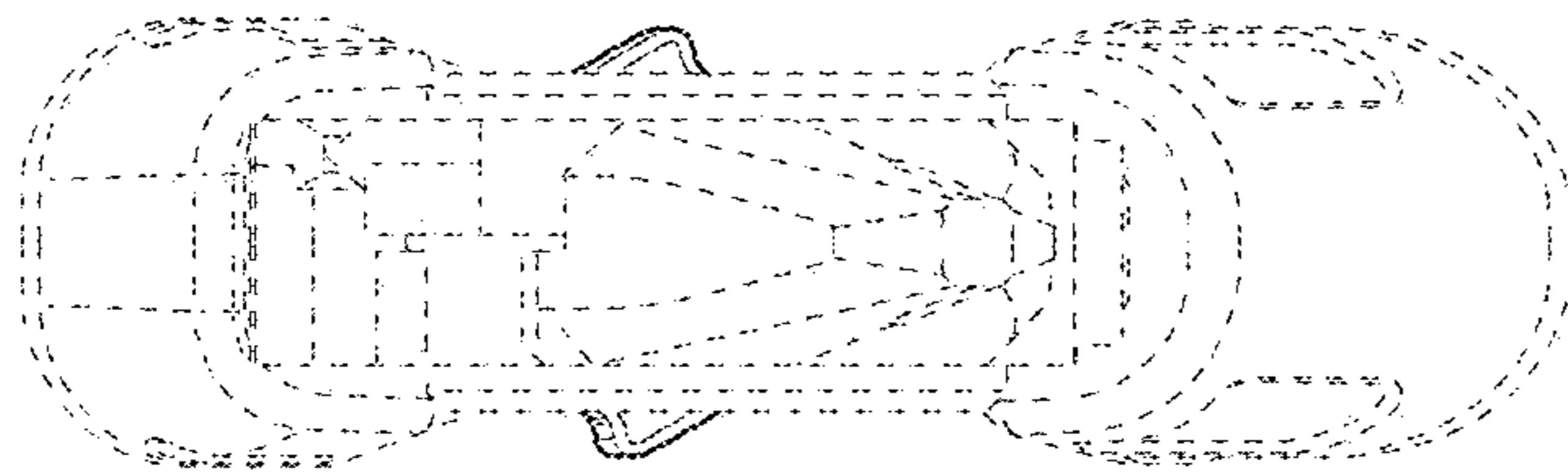


FIG. 7