



US00D970993S

(12) **United States Design Patent**
Shao

(10) **Patent No.:** **US D970,993 S**

(45) **Date of Patent:** **** Nov. 29, 2022**

(54) **PROTECTIVE SAFETY TENSIONING
DEVICE**

(71) Applicant: **Bo Shao**, Ningbo (CN)

(72) Inventor: **Bo Shao**, Ningbo (CN)

(**) Term: **15 Years**

(21) Appl. No.: **29/775,791**

(22) Filed: **Mar. 25, 2021**

(30) **Foreign Application Priority Data**

Nov. 9, 2020 (CN) 202030674409.8

(51) **LOC (13) Cl.** **08-05**

(52) **U.S. Cl.**
USPC **D8/44**

(58) **Field of Classification Search**
USPC D8/44, 14, 51, 107
CPC B25B 25/00; B21F 9/00; B60P 7/0823;
B60P 7/083; B60P 7/0846; Y10T 24/21;
Y10T 24/2117

See application file for complete search history.

(56) **References Cited**

U.S. PATENT DOCUMENTS

D527,605 S * 9/2006 Jackson D8/107
7,360,753 B1 * 4/2008 Lin B25B 25/00
254/218
D572,100 S * 7/2008 Aganian D8/44
7,448,596 B1 * 11/2008 Chang F16G 11/12
254/218
7,503,546 B1 * 3/2009 Seager B60P 7/083
254/218
7,510,168 B1 * 3/2009 Lin B65B 13/025
254/218
D639,626 S * 6/2011 Gangakhedkar D8/44
D642,031 S * 7/2011 Pehar D8/44
8,037,580 B2 * 10/2011 Huang B60P 7/0846
24/68 CD

D661,562 S * 6/2012 Stevens B65D 63/16
D8/44
D675,498 S * 2/2013 Stevens D8/44
D681,411 S * 5/2013 Qin B60P 7/0846
D8/44
D729,026 S * 5/2015 Qin B60P 7/0846
D8/44
D805,377 S * 12/2017 Breeden, III B60P 7/0823
D8/383
D821,172 S * 6/2018 Romanak B25B 25/00
D8/44
D876,915 S * 3/2020 Romanak B65B 13/22
D8/44
D877,587 S * 3/2020 Romanak A44B 11/065
D8/44
D894,701 S * 9/2020 Repic B60P 7/083
D8/44
D920,068 S * 5/2021 Zhang B60P 7/083
D8/51
D939,910 S * 1/2022 Hu B65B 13/025
D8/44

(Continued)

Primary Examiner — Philip S Hyder
(74) *Attorney, Agent, or Firm* — Jiwen Chen; Joywin IP
Law PLLC

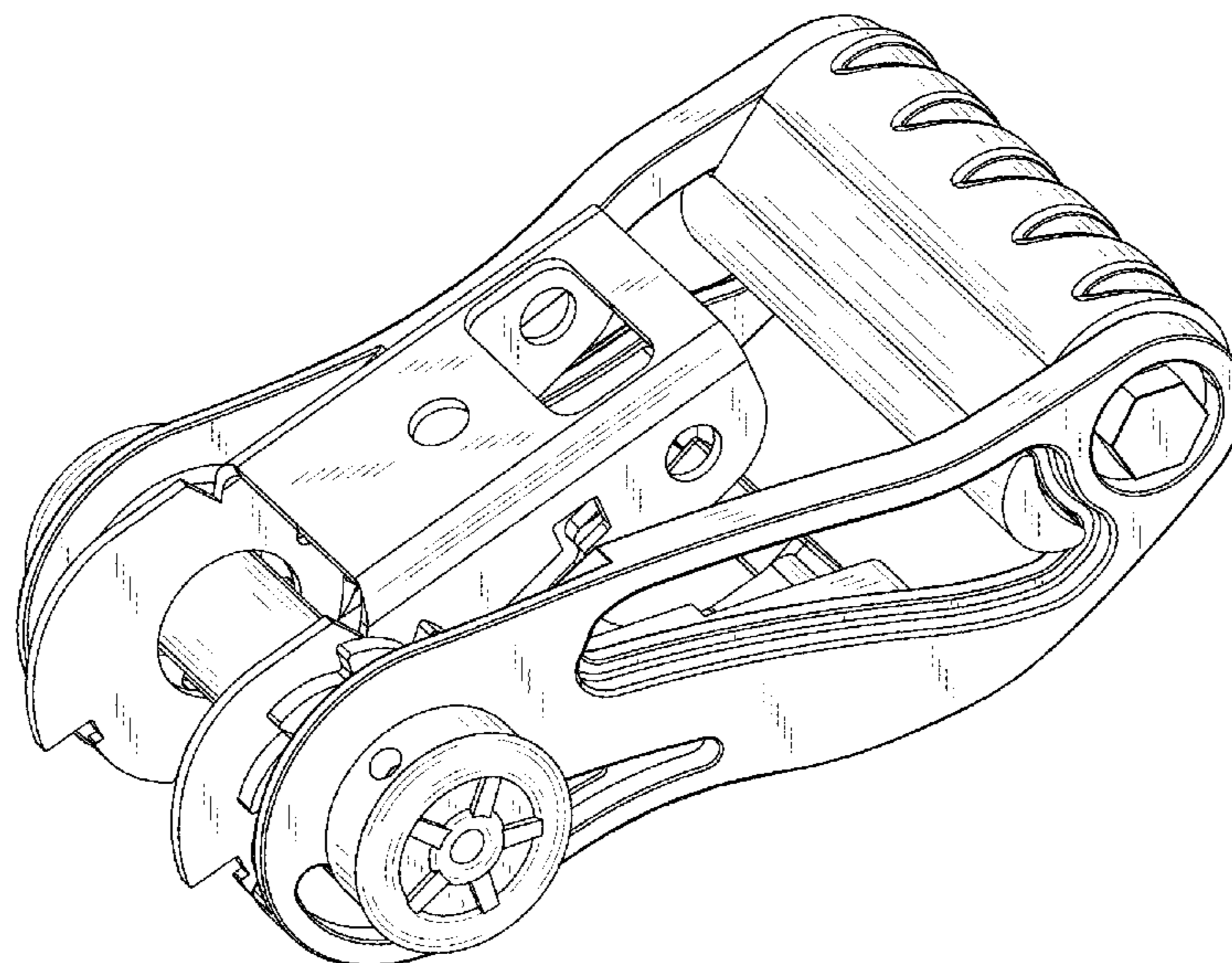
(57) **CLAIM**

An ornamental design for a protective safety tensioning device, as shown and described.

DESCRIPTION

FIG. 1 is a perspective view of the protective safety tensioning device showing the design; FIG. 2 is a front elevational thereof; FIG. 3 is a rear elevational view thereof; FIG. 4 is a bottom plan view thereof; FIG. 5 is a top plan view thereof; FIG. 6 is a left side view thereof; and, FIG. 7 is a right side view thereof.

1 Claim, 5 Drawing Sheets



(56)

References Cited

U.S. PATENT DOCUMENTS

2009/0047091 A1* 2/2009 Huck B60P 7/083
24/68 CD
2009/0119892 A1* 5/2009 Breeden B60P 7/083
24/68 CD
2009/0133235 A1* 5/2009 Chang B60P 7/083
24/68 CD
2009/0279978 A1* 11/2009 Polin, Jr. B65D 63/16
410/100
2009/0283729 A1* 11/2009 Carlson B60P 7/083
254/218
2010/0322737 A1* 12/2010 Huang B60P 7/083
410/100
2011/0119877 A1* 5/2011 Jackson B60P 7/0823
362/249.02
2012/0110801 A1* 5/2012 Joubert B60P 7/0846
24/68 CD
2012/0205601 A1* 8/2012 Joubert B60P 7/0846
254/217
2012/0246895 A1* 10/2012 Lee B60P 7/083
24/68 E
2018/0339637 A1* 11/2018 Hatcher B60P 7/083
2021/0179379 A1* 6/2021 Zhang B65B 13/22
2022/0142307 A1* 5/2022 Seader A44B 11/065
2022/0176865 A1* 6/2022 Mazzealli B60P 7/083

* cited by examiner

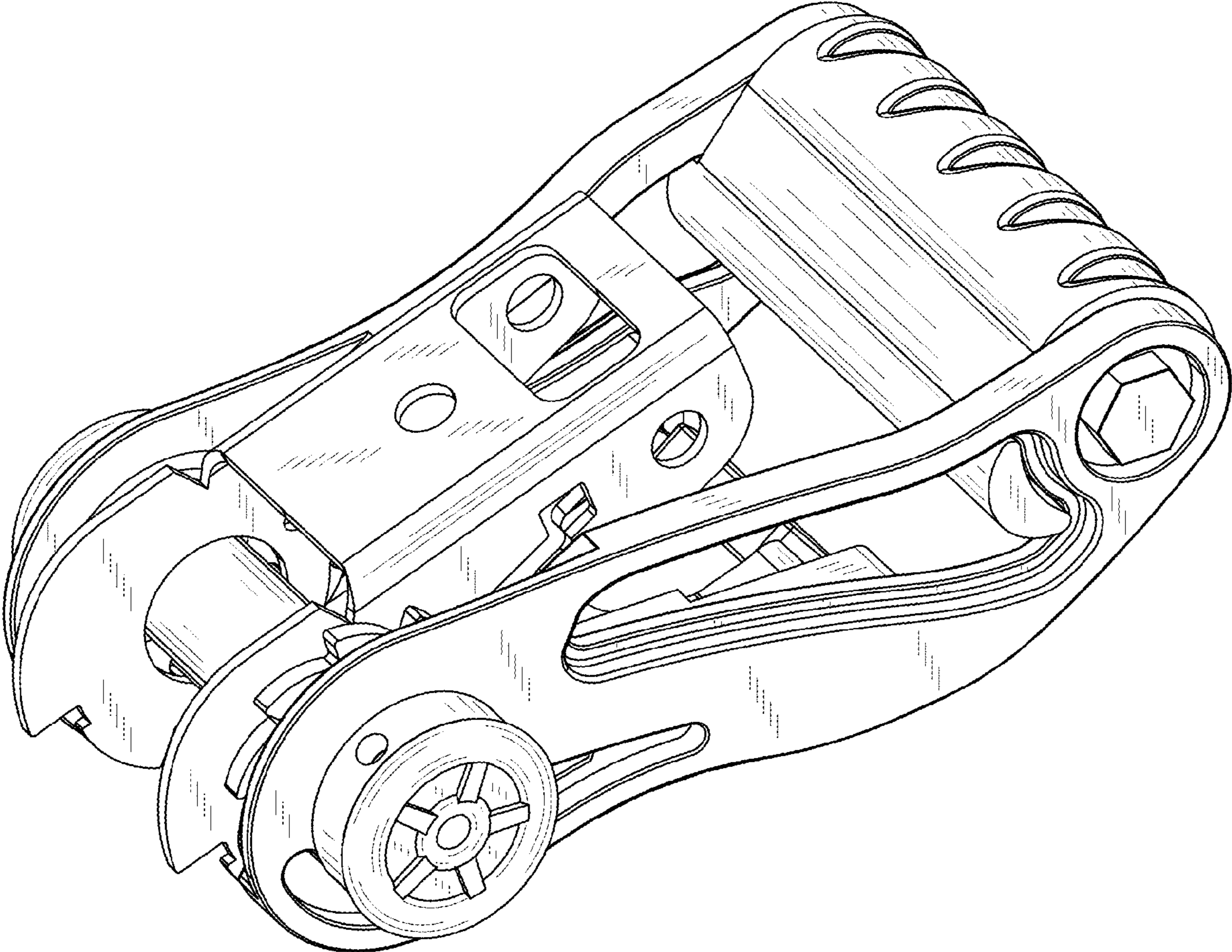


FIG. 1

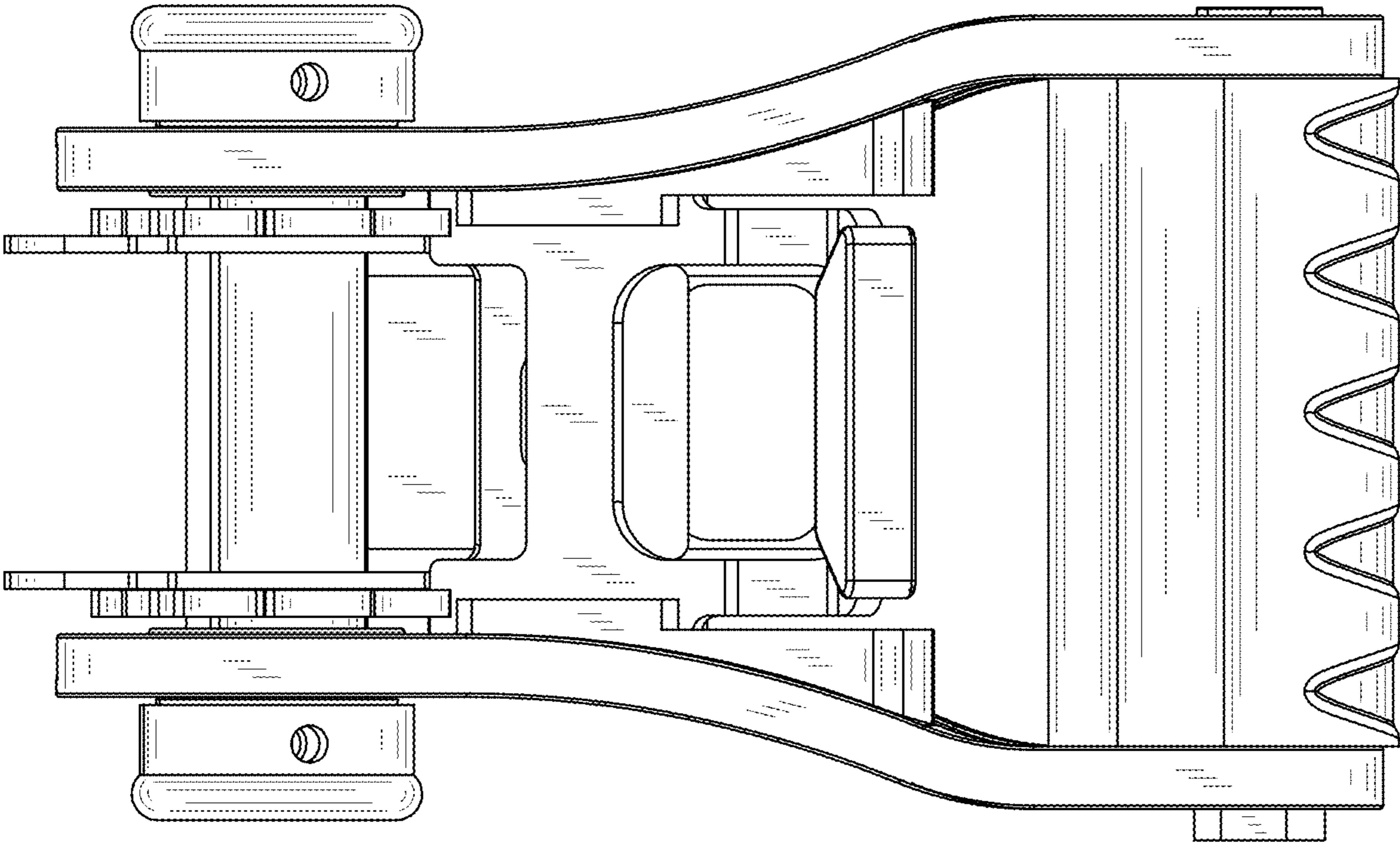


FIG. 2

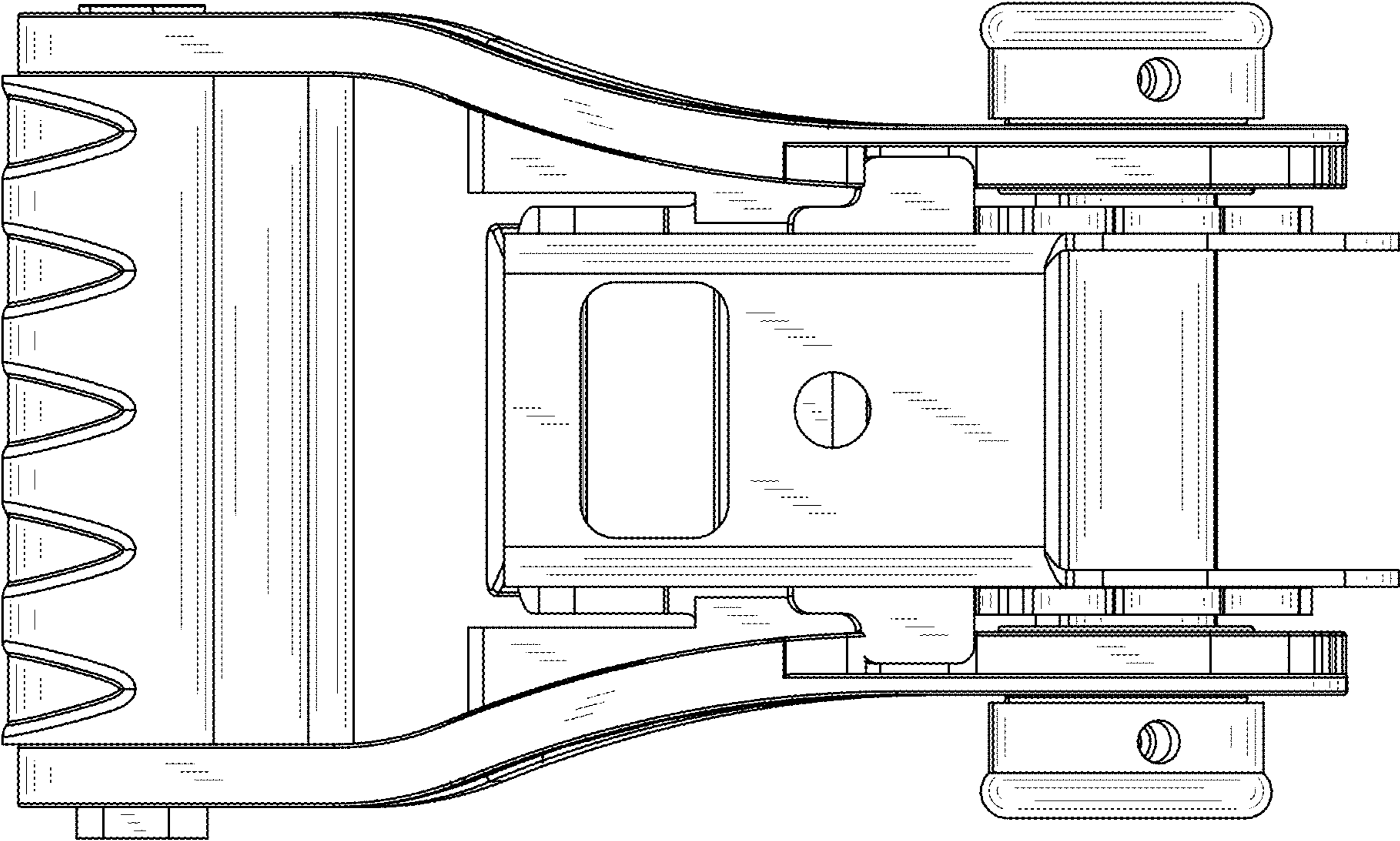


FIG. 3

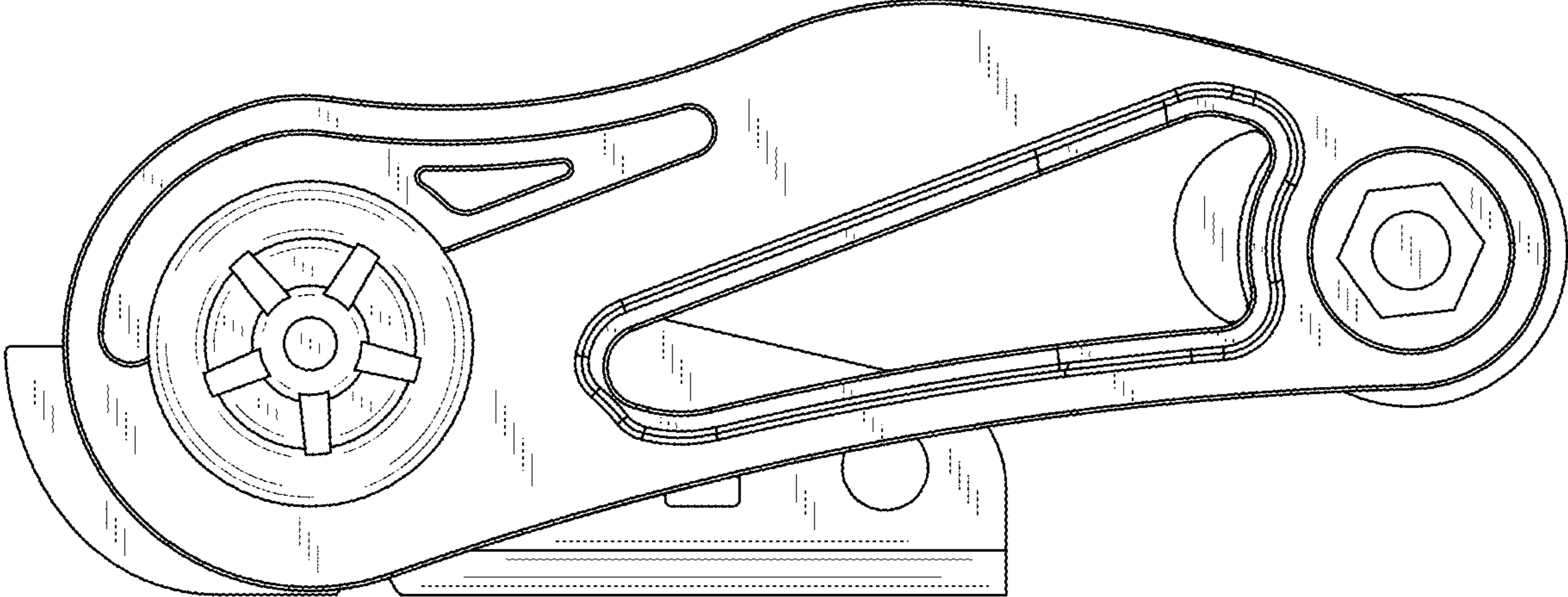


FIG. 4

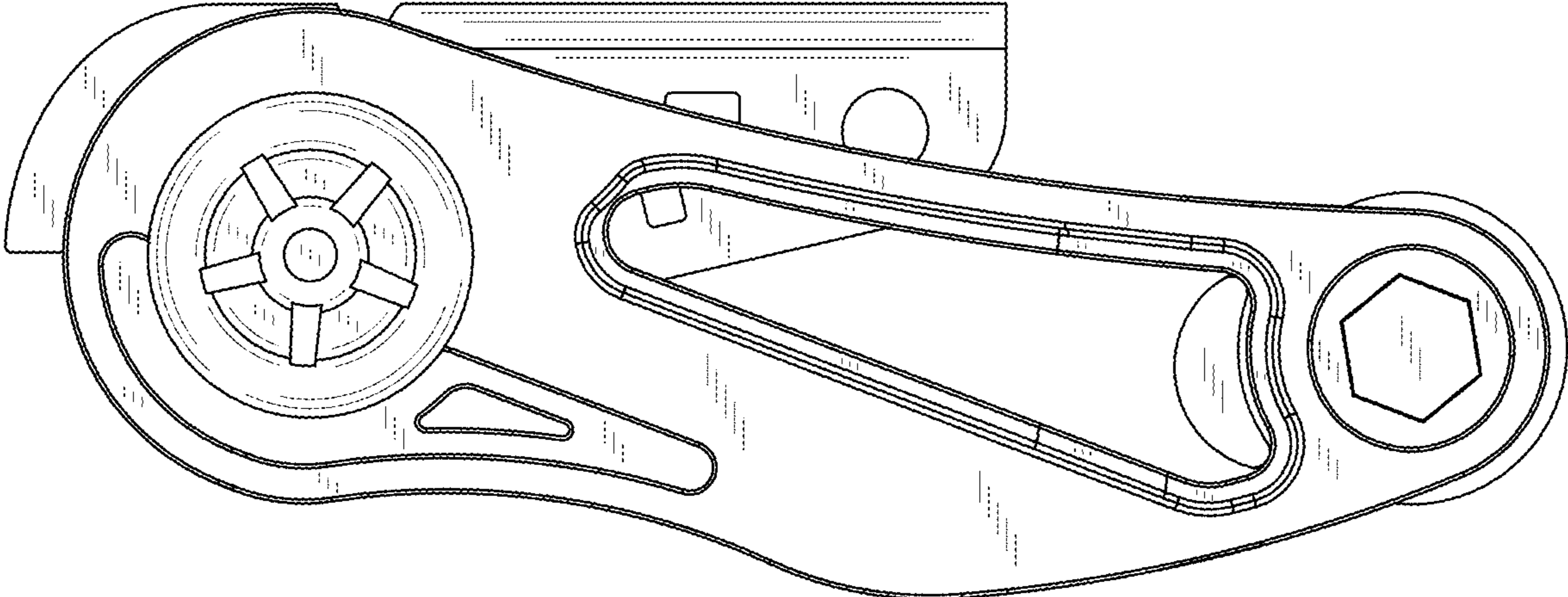


FIG. 5

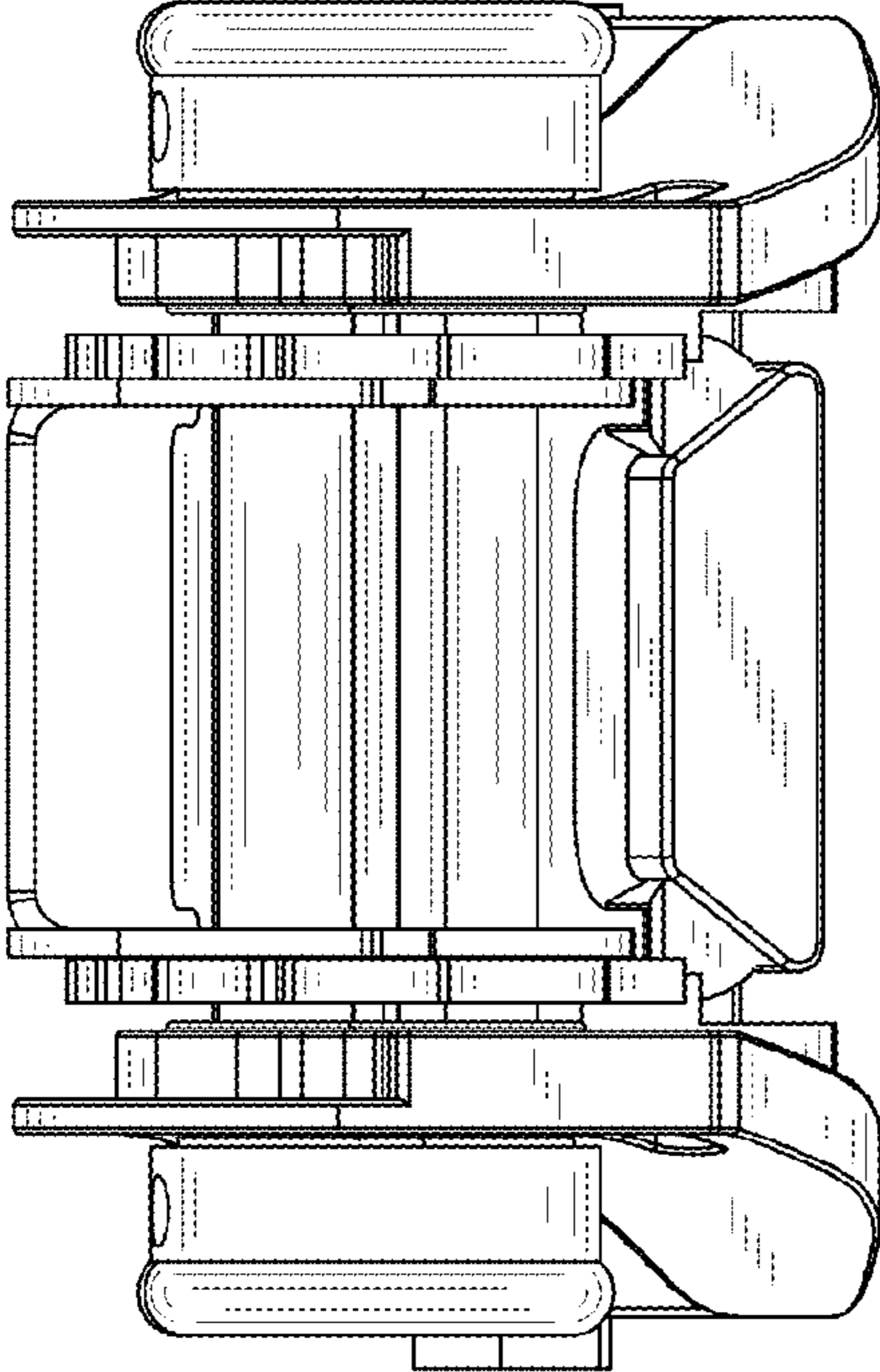


FIG. 6

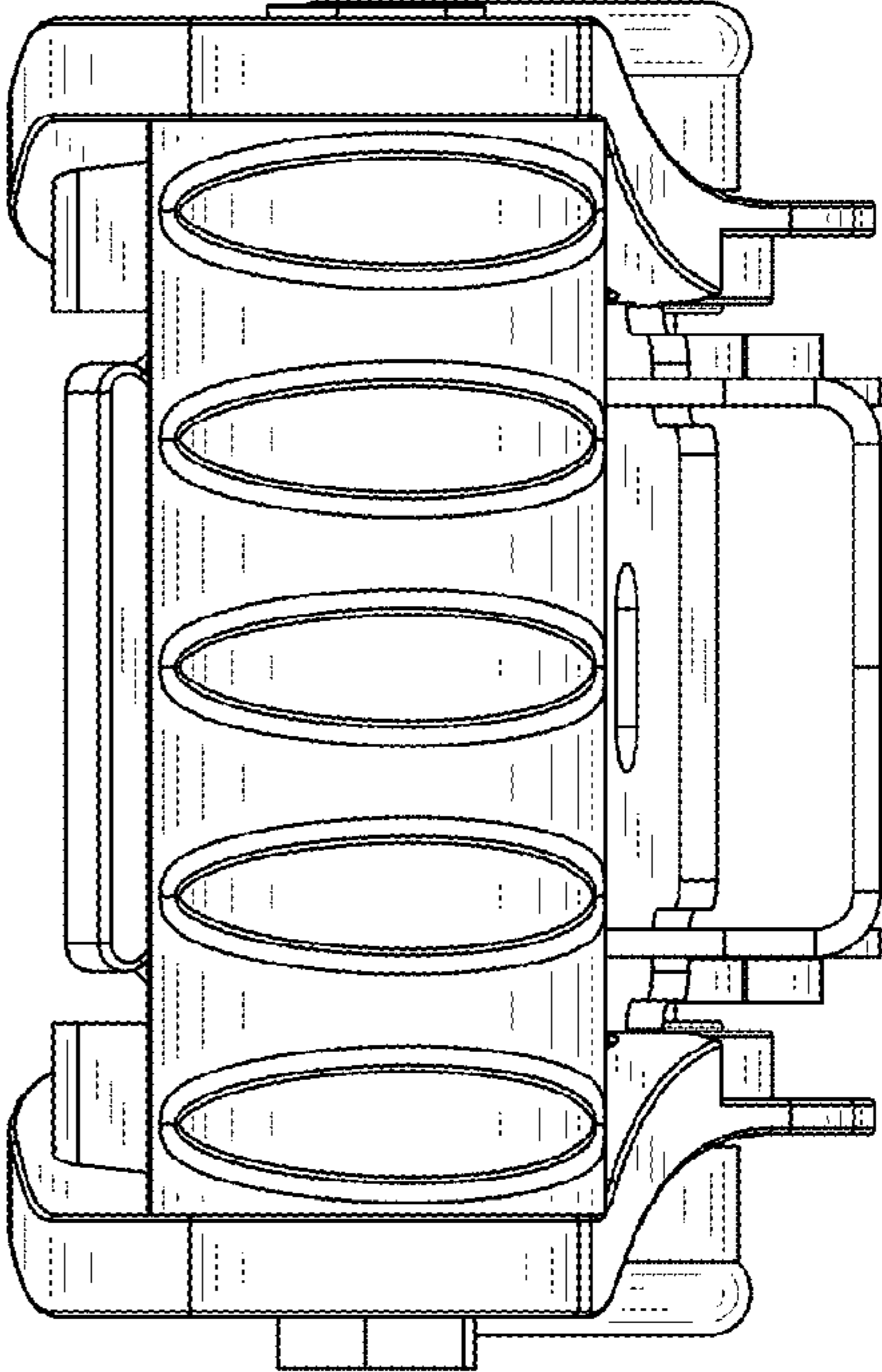


FIG. 7