



US00D970990S

(12) **United States Design Patent**
Leach

(10) **Patent No.:** **US D970,990 S**

(45) **Date of Patent:** **** Nov. 29, 2022**

- (54) **GARDEN EDGING CONNECTOR**
- (71) Applicant: **J. Todd Leach**, Albert Lea, MN (US)
- (72) Inventor: **J. Todd Leach**, Albert Lea, MN (US)
- (**) Term: **15 Years**
- (21) Appl. No.: **29/734,551**
- (22) Filed: **May 13, 2020**
- (51) **LOC (13) Cl.** **08-01**
- (52) **U.S. Cl.**
USPC **D8/1**
- (58) **Field of Classification Search**
USPC D25/120; D23/266, 303, 233-237,
D23/241-250, 259, 260, 262; 47/33;
D8/1
CPC A01G 9/28; F21V 21/30
See application file for complete search history.

6,834,462	B2	12/2004	Conde	
7,409,796	B2	8/2008	Sacks	
9,043,960	B2	6/2015	Ballard	
D745,638	S *	12/2015	Hickman	D23/233
D752,720	S *	3/2016	Wyne	D23/259
D767,737	S *	9/2016	Kuykendall	D23/266
D780,297	S *	2/2017	Ray	D23/262
D787,648	S *	5/2017	Smith	D23/259
9,803,672	B2	10/2017	Allred, III	
D816,196	S *	4/2018	Sugatani	D23/266
D820,073	S *	6/2018	Iacono	D23/262
D919,059	S *	5/2021	Ray	D23/262
2005/0016063	A1	1/2005	Shen	

* cited by examiner

Primary Examiner — Gino Colan

(57) **CLAIM**

The ornamental design for a garden edging connector, as shown and described.

DESCRIPTION

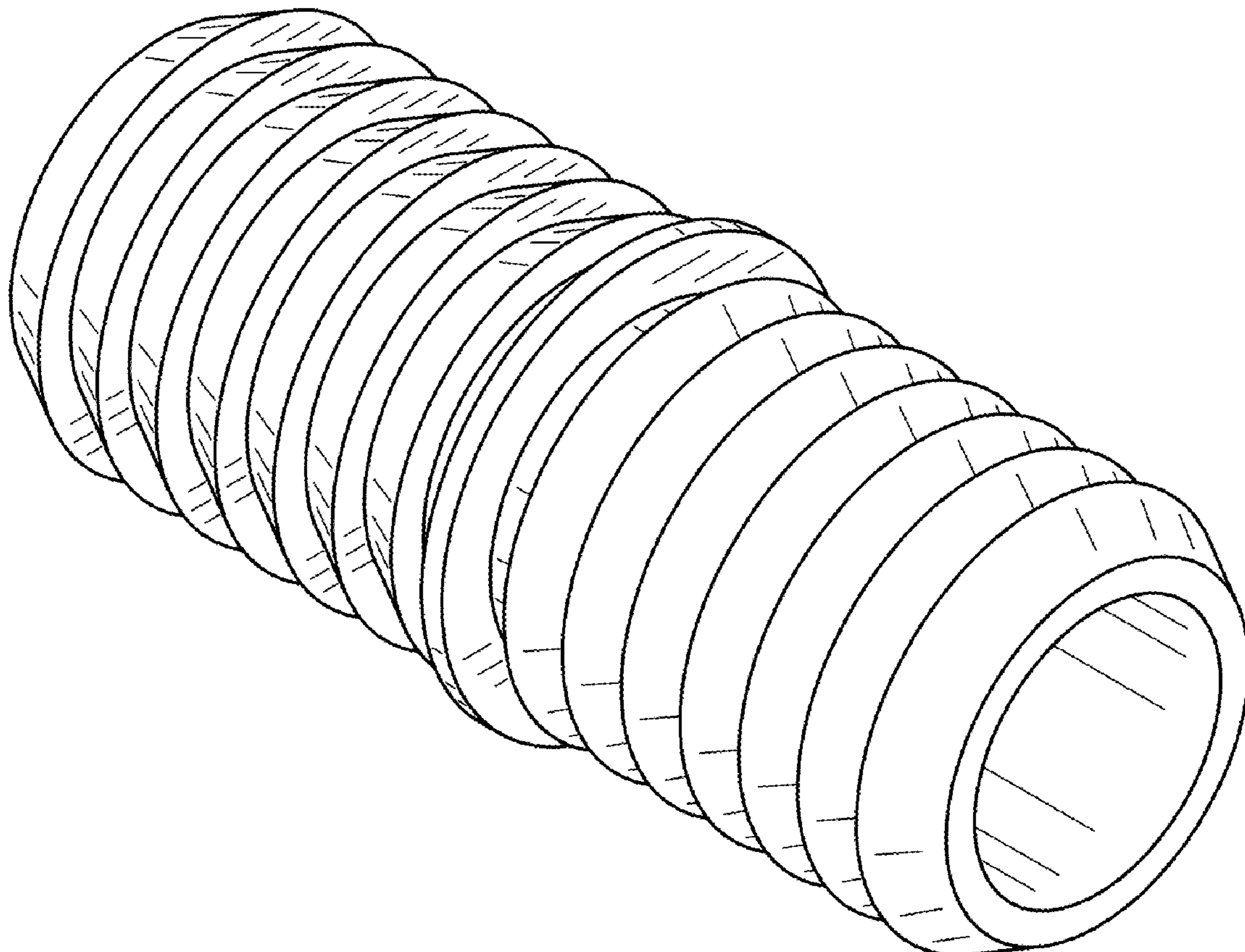
FIG. 1 is a front isometric view of a garden edging connector showing my new design, a rear isometric view being a mirror image thereof; FIG. 2 is a right side view of the garden edging connector, a left side view being a mirror image thereof; and, FIG. 3 is a rear view of the garden edging connector.

1 Claim, 2 Drawing Sheets

(56) **References Cited**

U.S. PATENT DOCUMENTS

3,524,661	A	8/1970	Farnam	
3,885,820	A	5/1975	Trumbull	
5,193,932	A	3/1993	Wu	
D336,220	S *	6/1993	Grimes	D8/1
5,414,956	A	5/1995	Kheradpir	
6,293,046	B1	9/2001	Meglino	
6,779,297	B2	8/2004	Conde	



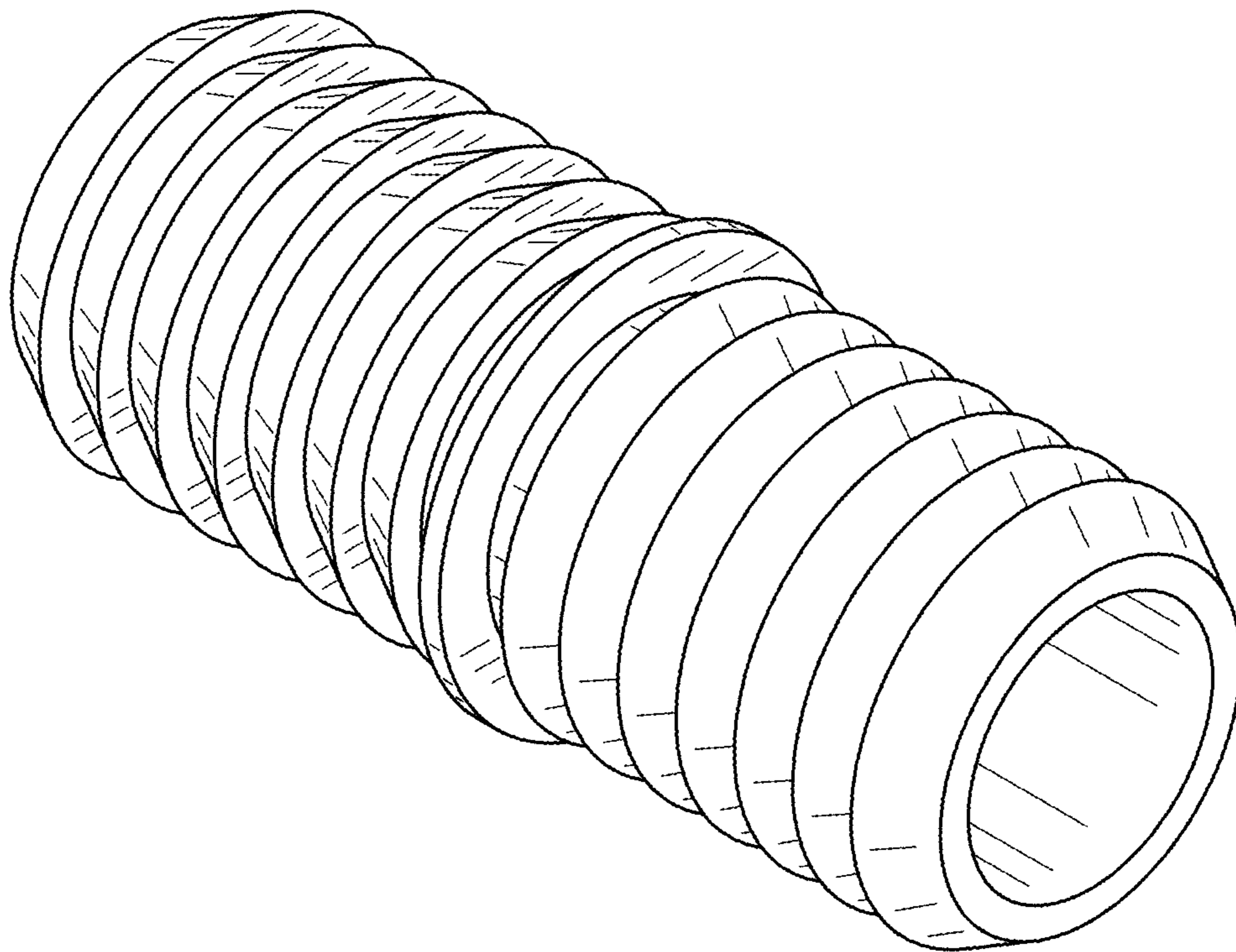


FIG. 1

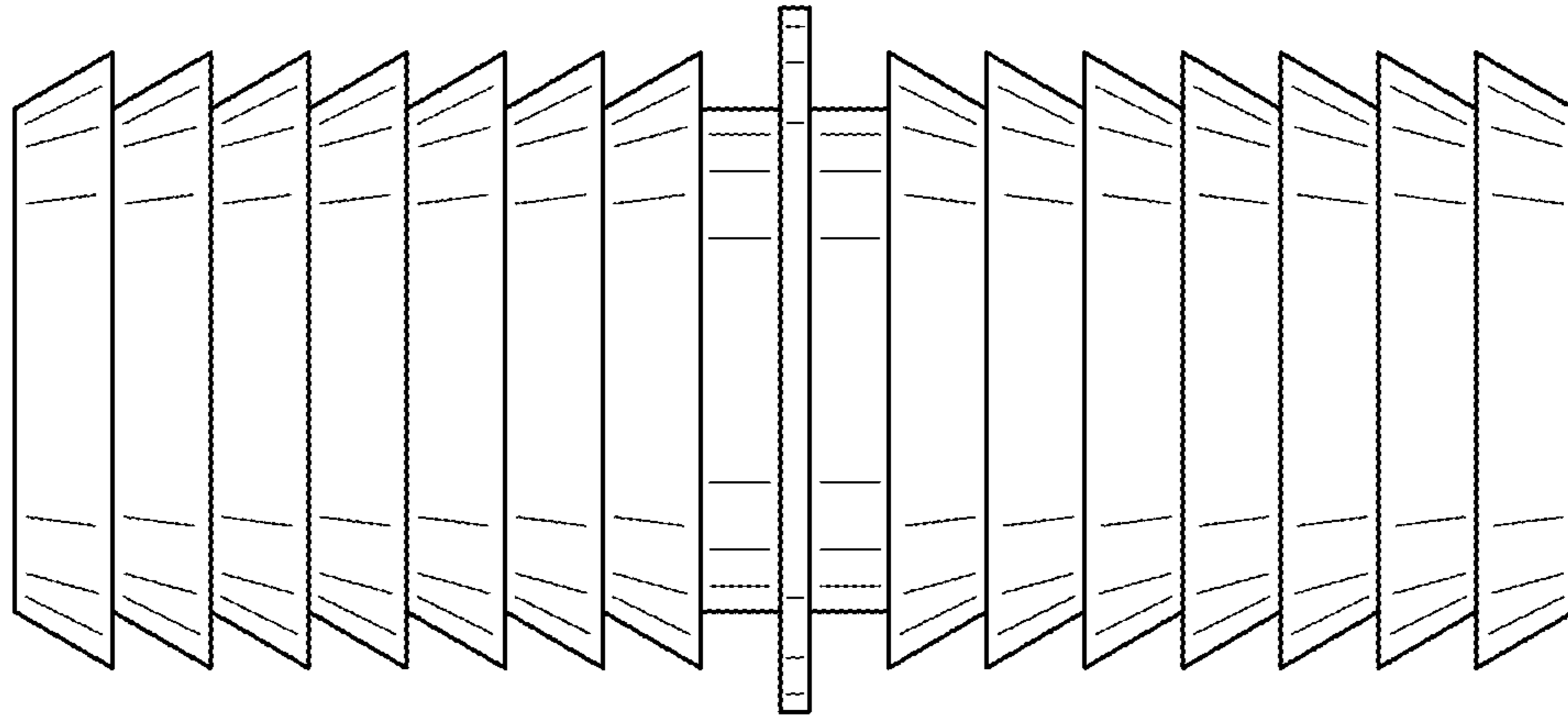


FIG. 2

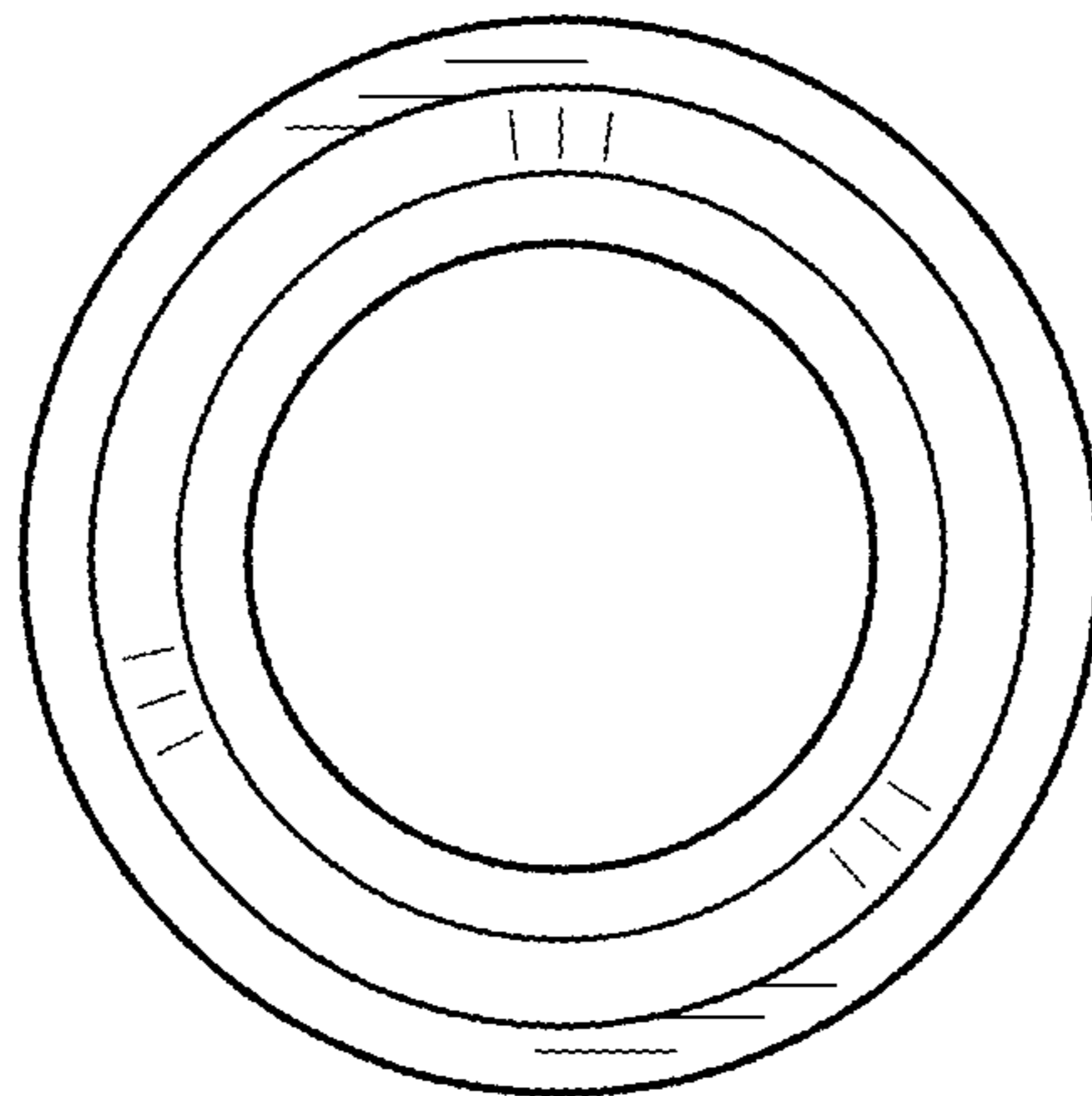


FIG. 3