



US00D970989S

(12) **United States Design Patent** (10) **Patent No.:** **US D970,989 S**  
**Wang** (45) **Date of Patent:** **\*\* Nov. 29, 2022**

(54) **BARTENDING TOOL HOLDER**  
(71) Applicant: **Chunxiao Wang**, Zhejiang (CN)  
(72) Inventor: **Chunxiao Wang**, Zhejiang (CN)  
(\*\*) Term: **15 Years**  
(21) Appl. No.: **29/798,169**  
(22) Filed: **Jul. 6, 2021**

(30) **Foreign Application Priority Data**

Jul. 1, 2021 (EM) ..... 008598619  
(51) **LOC (13) Cl.** ..... **06-04**  
(52) **U.S. Cl.**  
USPC ..... **D7/701**  
(58) **Field of Classification Search**  
USPC ..... D7/701, 707, 708, 600.1-600.4;  
D6/682.2, 552.2, 525, 527, 528, 534, 535;  
D3/313  
CPC ..... A47B 73/00; A47B 73/006; A47B 73/004;  
A47B 13/16; A47G 23/0641; A47G  
23/06; A47G 23/0208; A47G 23/02;  
A47G 23/0241; A47F 5/16; A47F 7/28;  
A47F 7/283; B25H 3/04; A47J 47/16  
See application file for complete search history.

(56) **References Cited**

**U.S. PATENT DOCUMENTS**

D127,900 S \* 6/1941 Block ..... D6/699  
D198,098 S \* 4/1964 Kaneko ..... D7/701  
3,893,569 A \* 7/1975 Hoch ..... A47B 13/16  
211/74

4,947,991 A \* 8/1990 Snell ..... A47B 13/16  
206/427  
6,126,256 A \* 10/2000 Doces, II ..... A47B 81/04  
312/351  
D495,530 S \* 9/2004 Marsden ..... D6/682.2  
D907,972 S \* 1/2021 Wang ..... D7/701  
D911,789 S 3/2021 Wang  
D955,833 S \* 6/2022 Wang ..... D7/701  
2016/0120349 A1 \* 5/2016 Boyatt ..... A47G 23/0641  
206/562

\* cited by examiner

*Primary Examiner* — Terry A Wallace

(74) *Attorney, Agent, or Firm* — ScienBiziP, P.C.

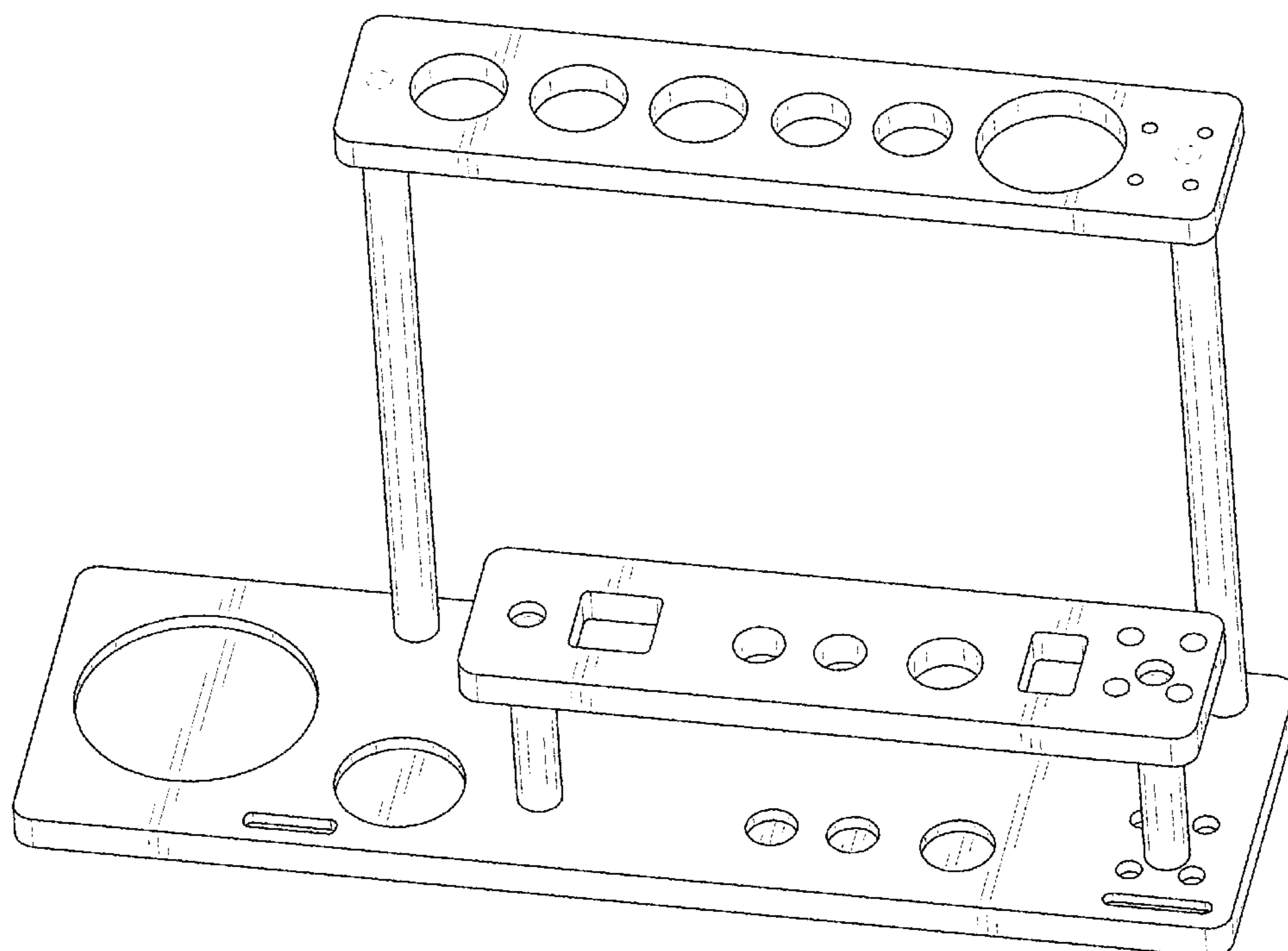
(57) **CLAIM**

The ornamental design for a bartending tool holder, as shown and described.

**DESCRIPTION**

FIG. 1 is a front, right, and top perspective view of a bartending tool holder, showing my design.  
FIG. 2 is a rear, left, and bottom perspective view thereof.  
FIG. 3 is a front elevation view thereof.  
FIG. 4 is a rear elevation view thereof.  
FIG. 5 is a left side elevation view thereof.  
FIG. 6 is a right side elevation view thereof.  
FIG. 7 is a top plan view thereof; and,  
FIG. 8 is a bottom plan view thereof.  
The broken lines shown in the drawings are included for the purpose of illustrating portions of the bartending tool holder that form no part of the claimed design.

**1 Claim, 8 Drawing Sheets**



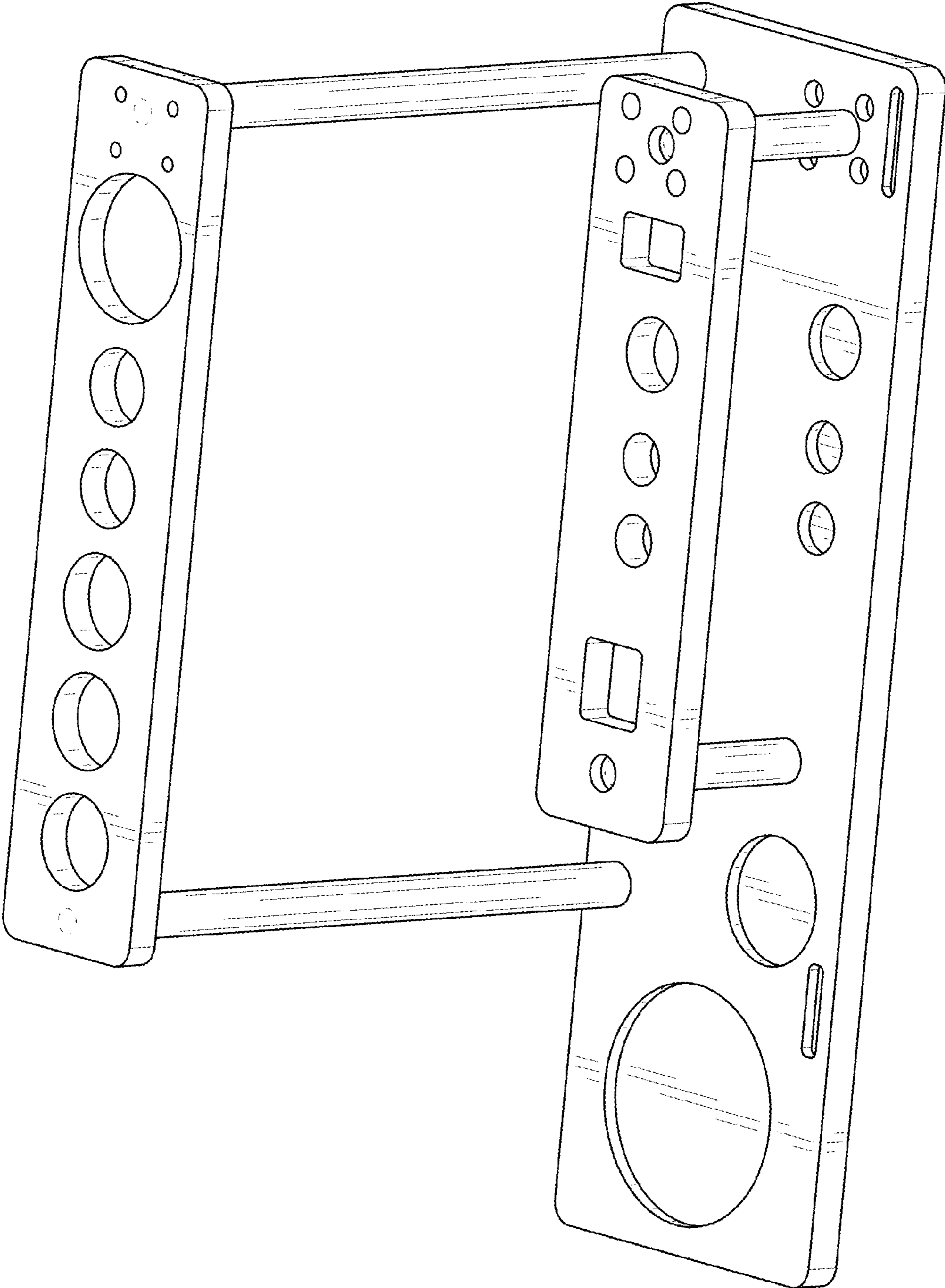


FIG. 1

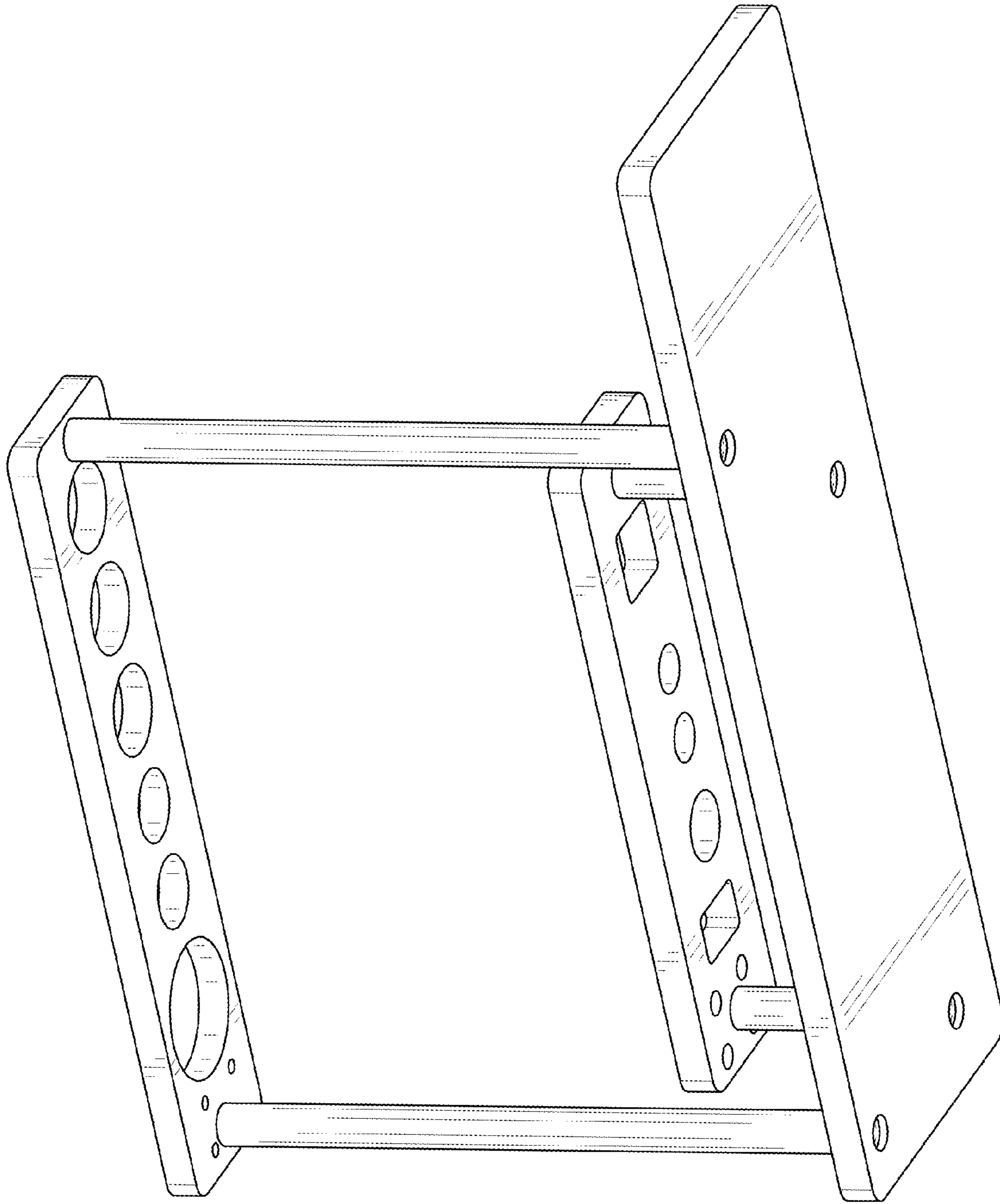


FIG. 2

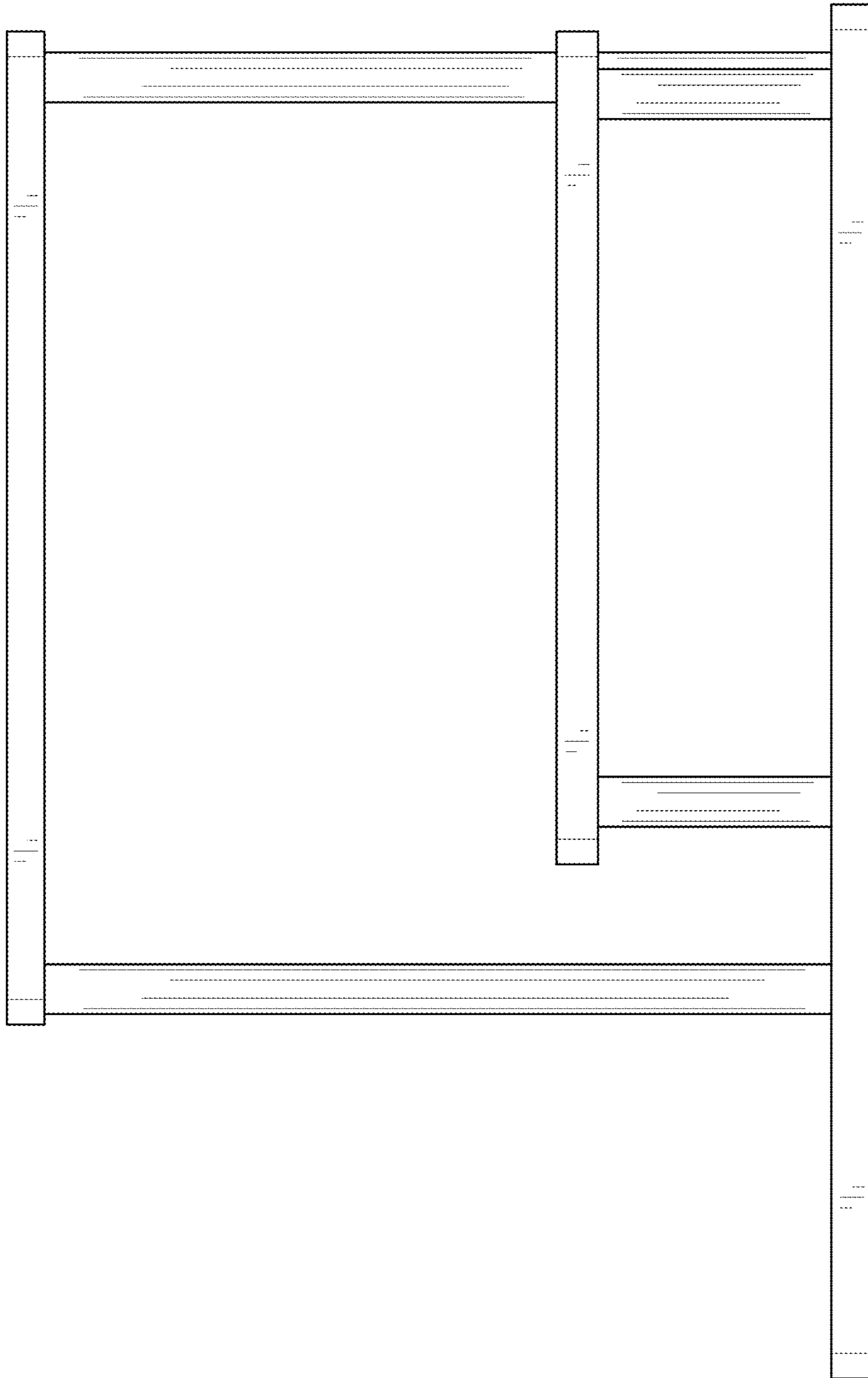


FIG. 3

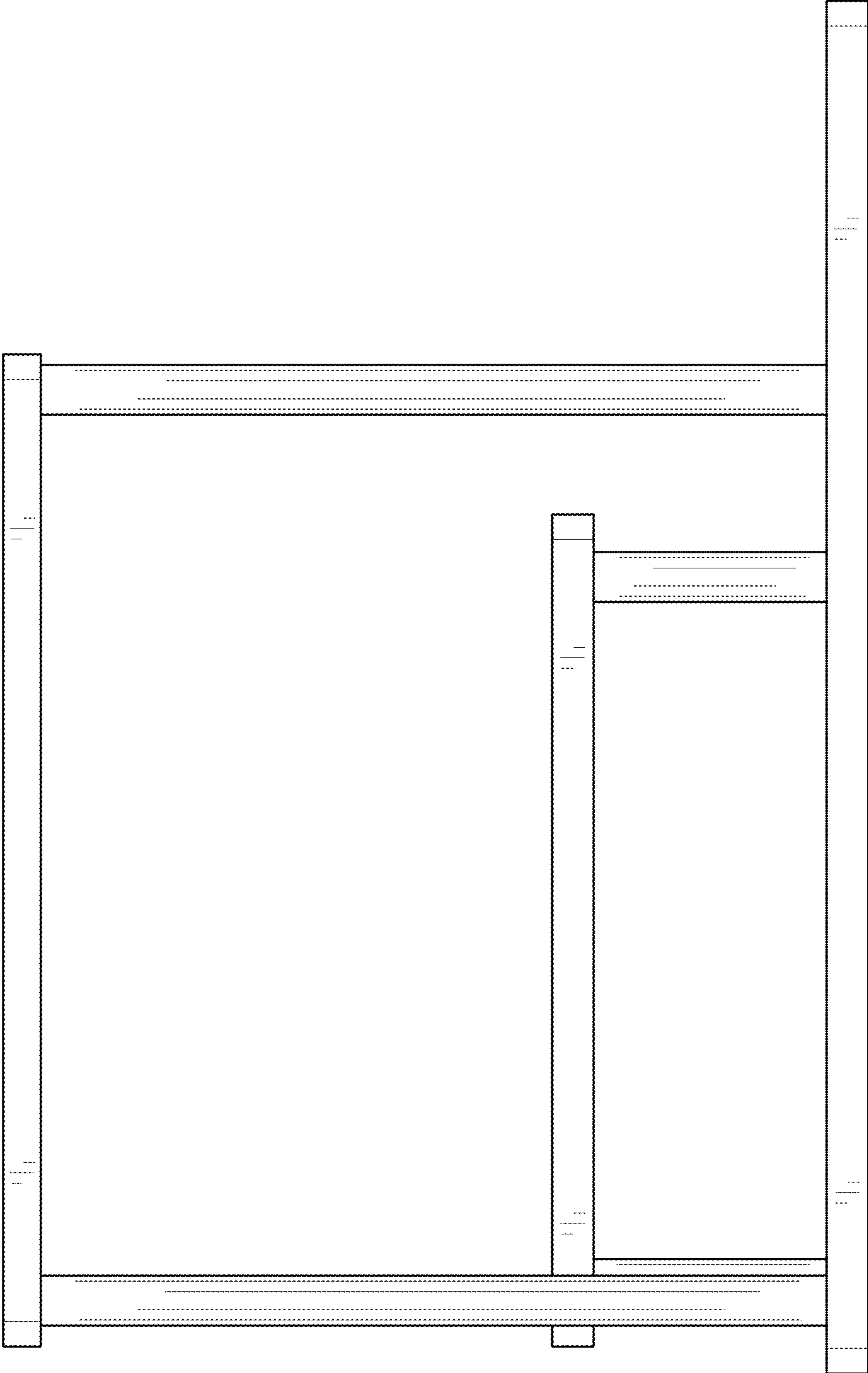


FIG. 4

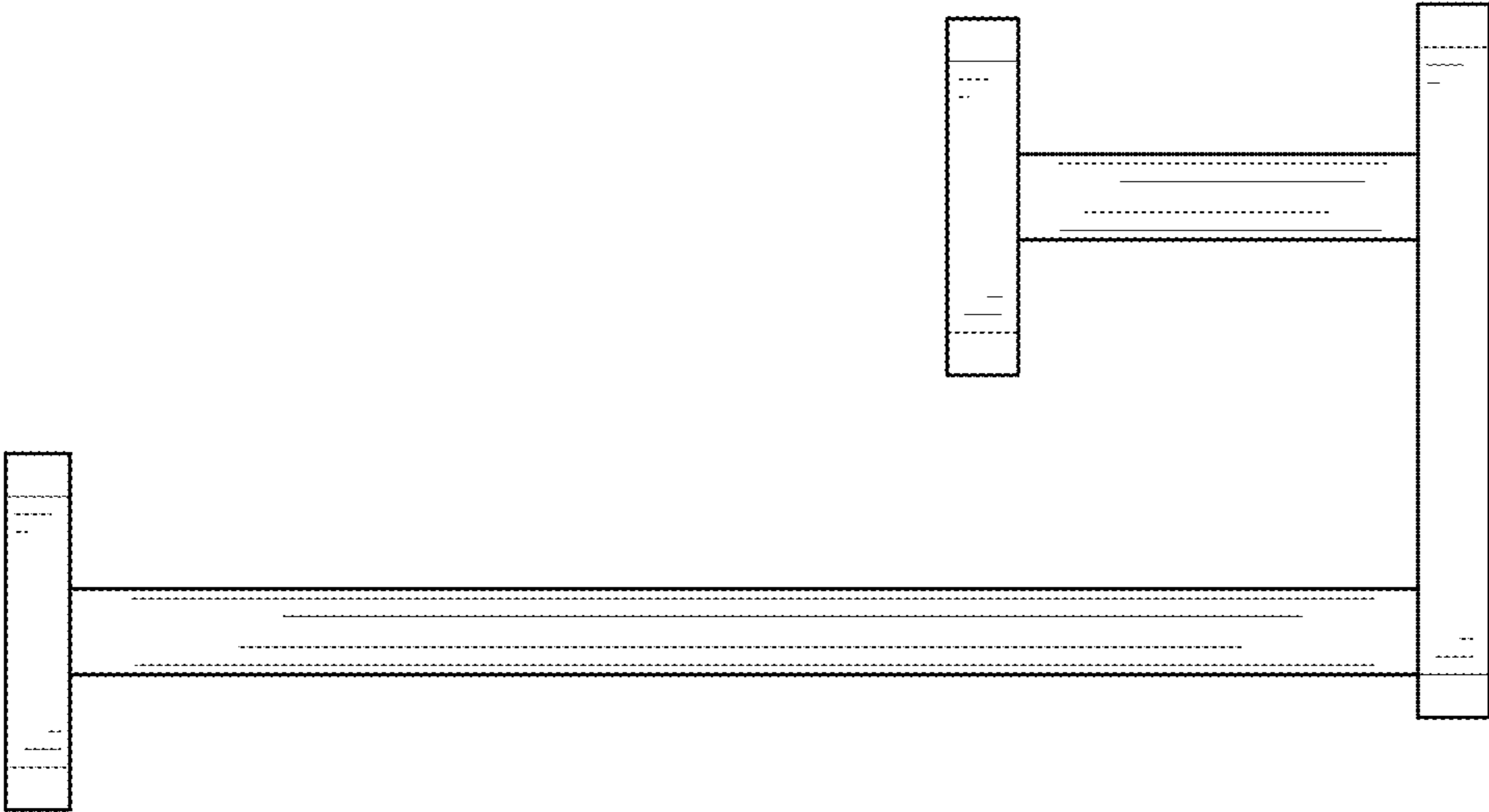


FIG. 5

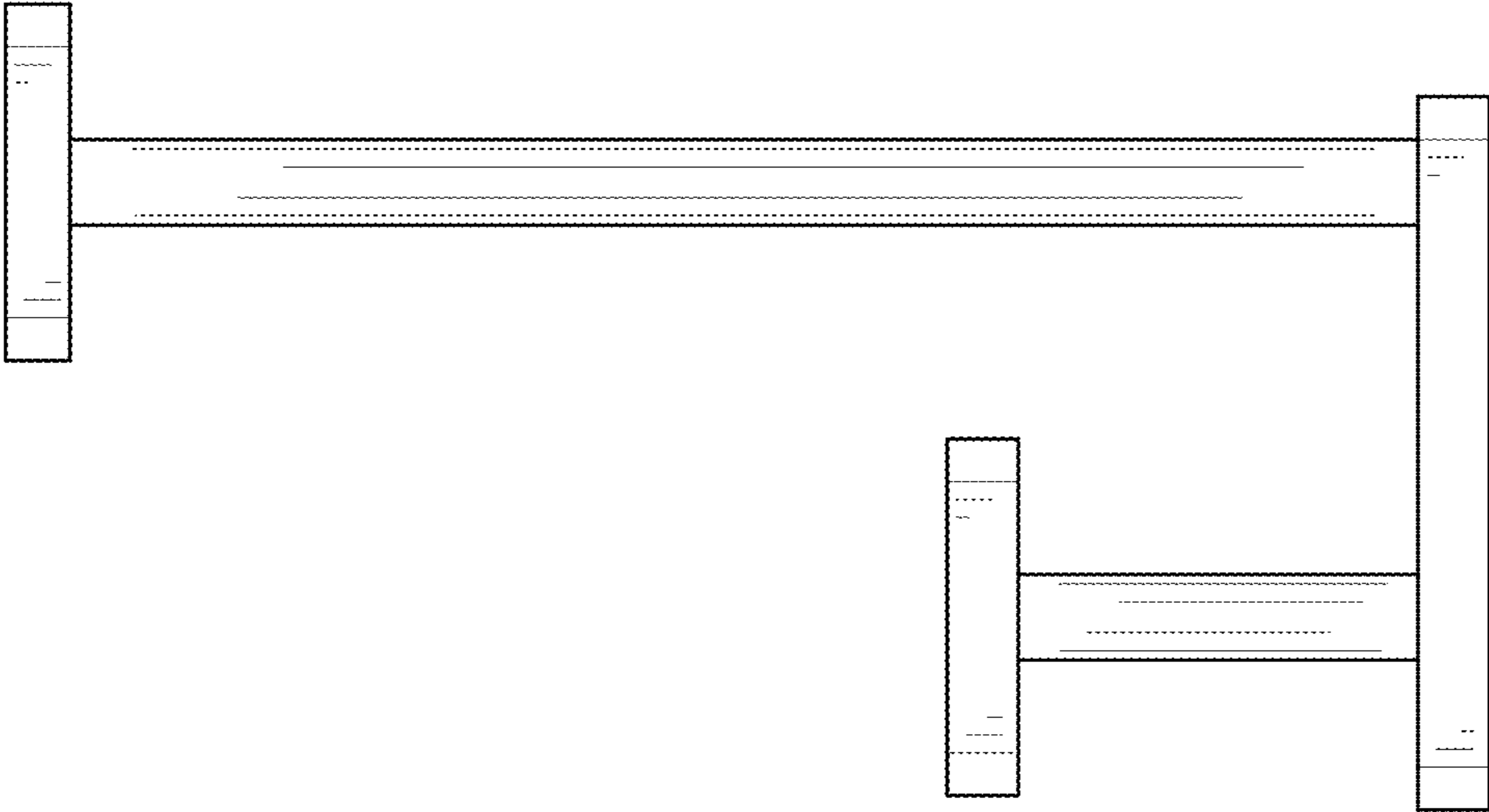


FIG. 6

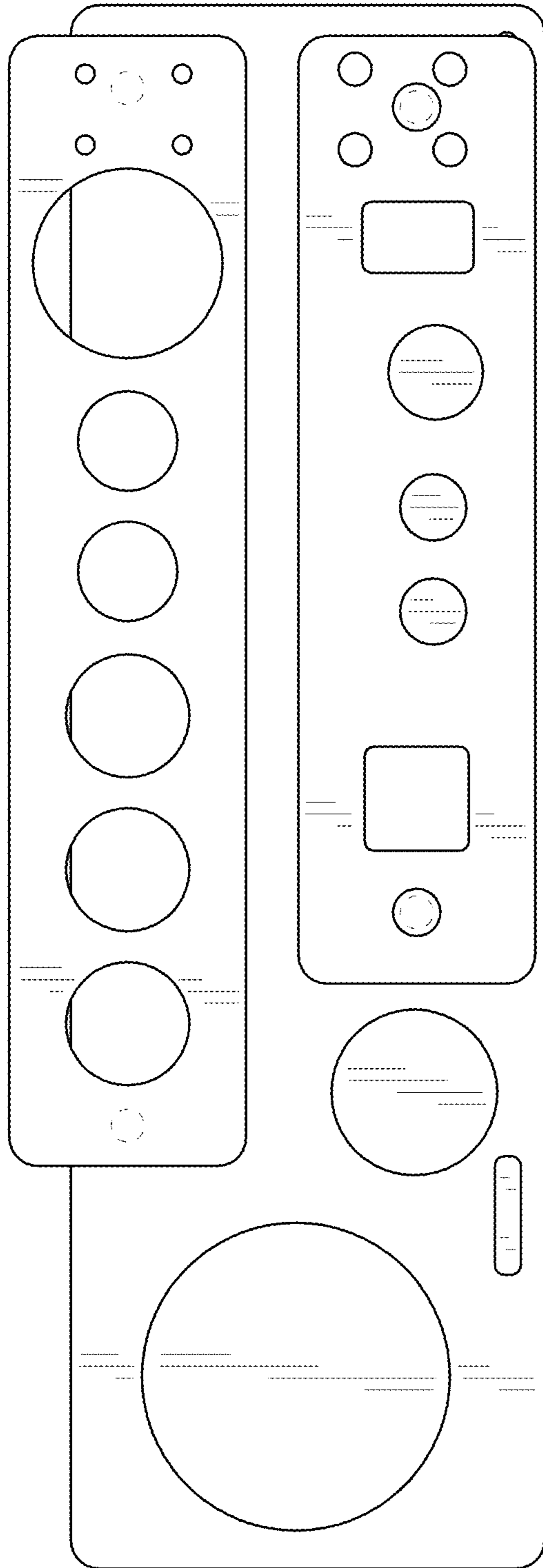


FIG. 7



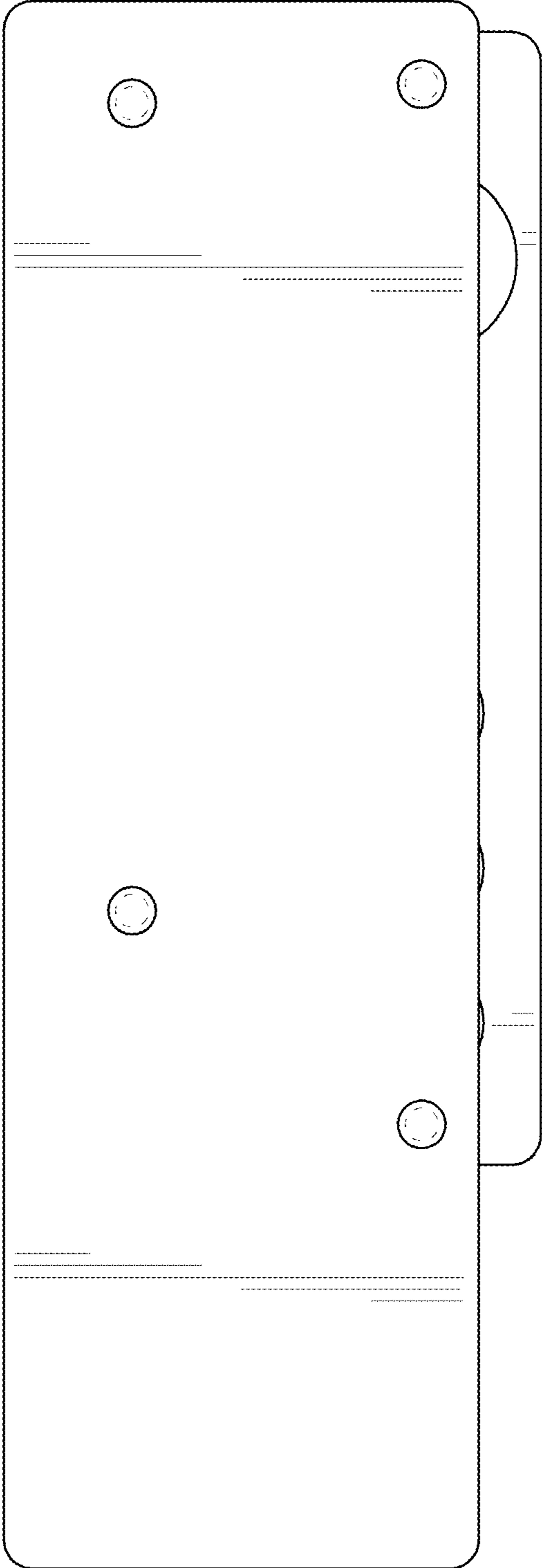


FIG. 8