



US00D970988S

(12) **United States Design Patent** (10) **Patent No.:** **US D970,988 S**  
**Balaban** (45) **Date of Patent:** **\*\* Nov. 29, 2022**

(54) **HOUSEHOLD CONTAINER ORGANIZER**

(71) Applicant: **Ebite, Inc.**, Wilmington, DE (US)

(72) Inventor: **Bogdan Balaban**, Bucharest (RO)

(73) Assignee: **Ebite, Inc.**, Wilmington, DE (US)

(\*\*) Term: **15 Years**

(21) Appl. No.: **29/761,935**

(22) Filed: **Dec. 14, 2020**

(51) **LOC (13) Cl.** ..... **07-06**

(52) **U.S. Cl.**  
USPC ..... **D7/701**

(58) **Field of Classification Search**  
USPC ..... D7/701-708, 600.1-600.4; D3/304,  
D3/306-314, 201, 202-206; D6/512  
CPC ..... A47G 19/06; A47G 19/08; A47G 19/065;  
A47G 19/00; A47G 19/02; A47G 19/30;  
A47G 23/02; A47G 23/06; A47G  
23/0225; B65D 1/36; B65D 25/06; B65D  
25/08; A47J 47/14

See application file for complete search history.

(56) **References Cited**

**U.S. PATENT DOCUMENTS**

3,240,610	A	3/1966	Cease	
3,804,233	A	4/1974	Gregg, Jr.	
3,880,485	A	4/1975	Schmelzer	
4,826,058	A	5/1989	Nakayama	
5,082,115	A *	1/1992	Hutcheson	..... A45C 11/20 206/553
5,460,102	A	10/1995	Pasmanick	
5,562,331	A	10/1996	Spykerman et al.	
6,343,835	B1	2/2002	Ledbetter	
7,326,428	B2	2/2008	Weir	
7,448,675	B1	11/2008	Lowery	
7,780,034	B1	8/2010	Richardson	
8,051,514	B2	11/2011	Yarmer et al.	

8,171,584	B2	5/2012	Matthews et al.
8,181,291	B2	5/2012	Matthews et al.
8,584,284	B2	11/2013	Matthews et al.
D821,131	S	6/2018	Anderson
10,994,892	B2	5/2021	Bell et al.
2003/0226945	A1	12/2003	Pacher et al.
2004/0129707	A1	7/2004	Weir
2005/0035618	A1	2/2005	Toth et al.
2013/0341338	A1	12/2013	Mitchell et al.
2014/0237724	A1	8/2014	Matthews et al.
2017/0101301	A1	4/2017	Volin
2017/0240085	A1	8/2017	Ferreira Orta et al.
2018/0249856	A1 *	9/2018	Samartgis ..... A23L 15/00

(Continued)

**OTHER PUBLICATIONS**

Amazon.com, Couch Console, Original Cup Holder Tray, ASIN: B09LHW438T, 15 pages, date first available Nov. 10, 2021 (Year: 2021).\*

(Continued)

*Primary Examiner* — Terry A Wallace  
(74) *Attorney, Agent, or Firm* — Rogowski Law LLC

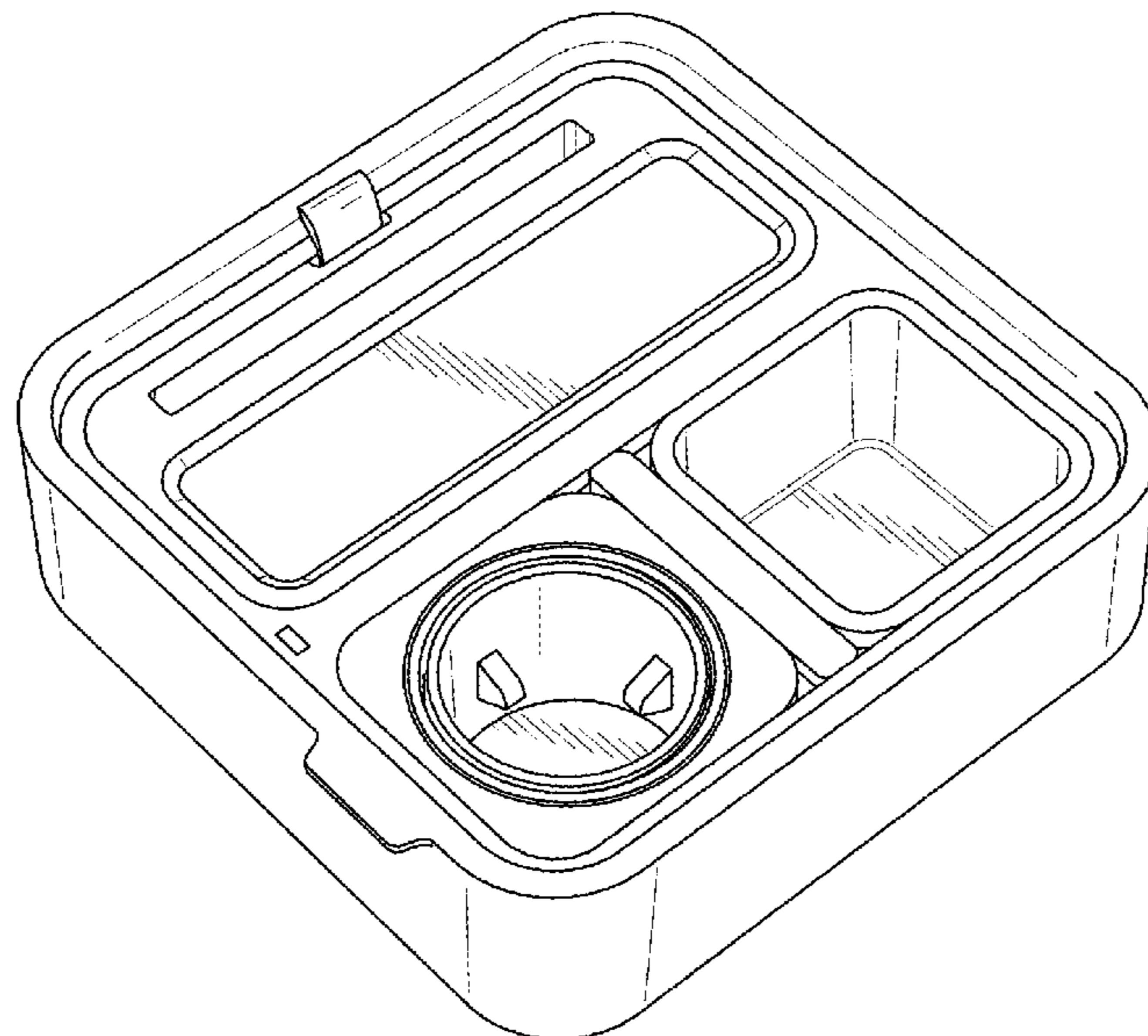
(57) **CLAIM**

I claim the ornamental design for a household container organizer, as shown and described.

**DESCRIPTION**

FIG. 1 is a left front perspective view of a household container organizer with modules showing my design; FIG. 2 is a top plan view of the household container organizer with the modules of FIG. 1; FIG. 3 is a left side perspective view of the household container organizer with the modules of FIG. 1; and, FIG. 4 is an expanded or exploded view of the household container organizer with the modules of FIG. 1. The undisclosed rear, right and bottom views are unclaimed subject matter.

**1 Claim, 2 Drawing Sheets**



(56)

**References Cited**

U.S. PATENT DOCUMENTS

2018/0251263 A1\* 9/2018 Shamp ..... B65D 21/0233  
2018/0265256 A1\* 9/2018 Fisher, Jr. .... A45C 11/20  
2019/0375551 A1 12/2019 Bell et al.  
2020/0277105 A1 9/2020 Longo  
2021/0137294 A1\* 5/2021 Beyer ..... A47G 23/0225

OTHER PUBLICATIONS

Amazon.com, MyGift Vintage Gray Wood Snack Tray, Beverage and Snack Caddy with Remote Holder, Phone and Drink Holder, ASIN: B08LT1CMJX, 13 pages, date first available Oct. 24, 2020 (Year: 2020).\*

<https://www.instructables.com/Gyroscopic-Cup-Holder/> (accessed Nov. 16, 2021).

<https://www.mygift.com/products/vintage-gray-wood-all-in-one-snack-caddy-with-remote-control-phone-and-cup-holders> (accessed Nov. 16, 2021).

\* cited by examiner

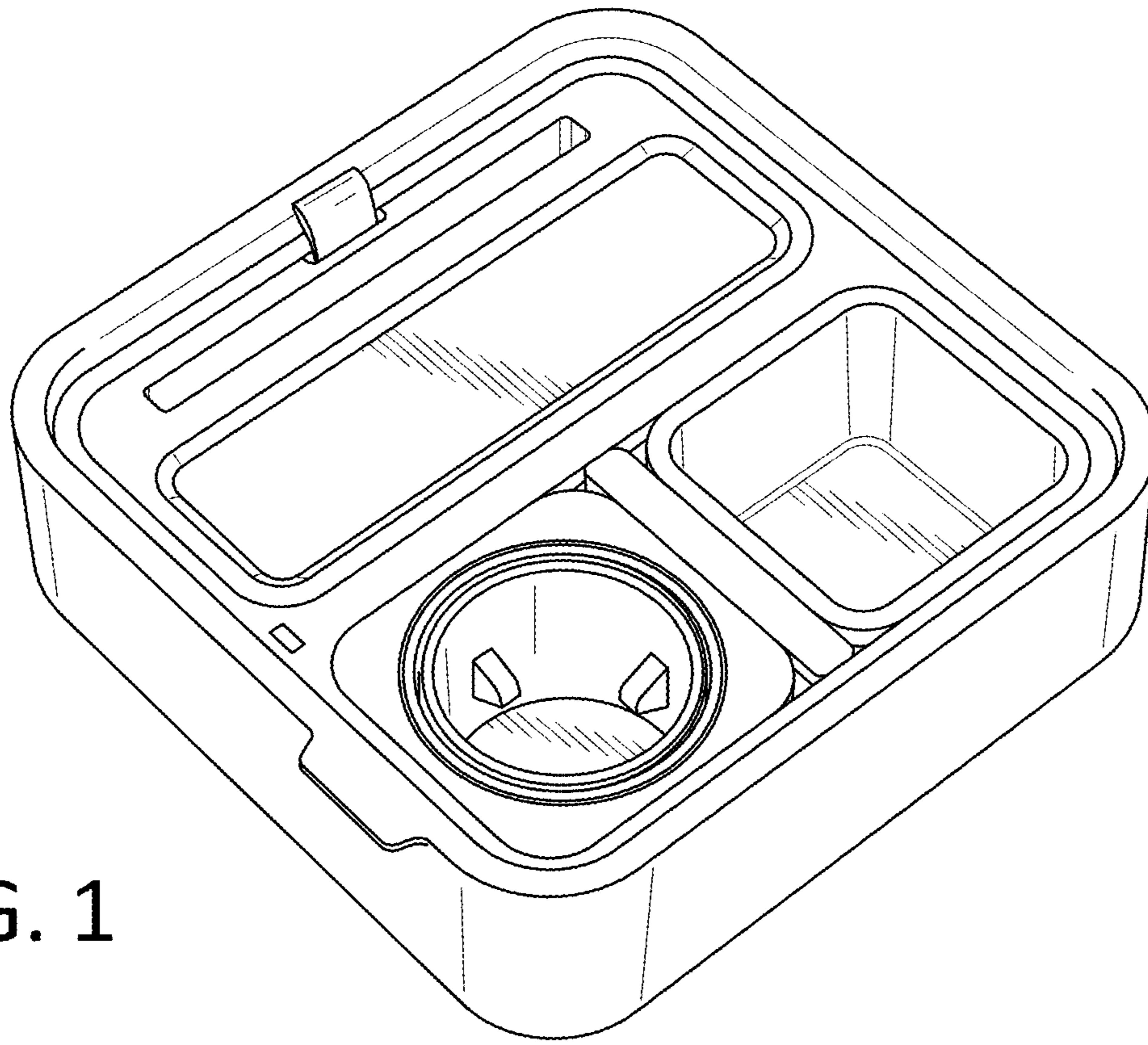


FIG. 1

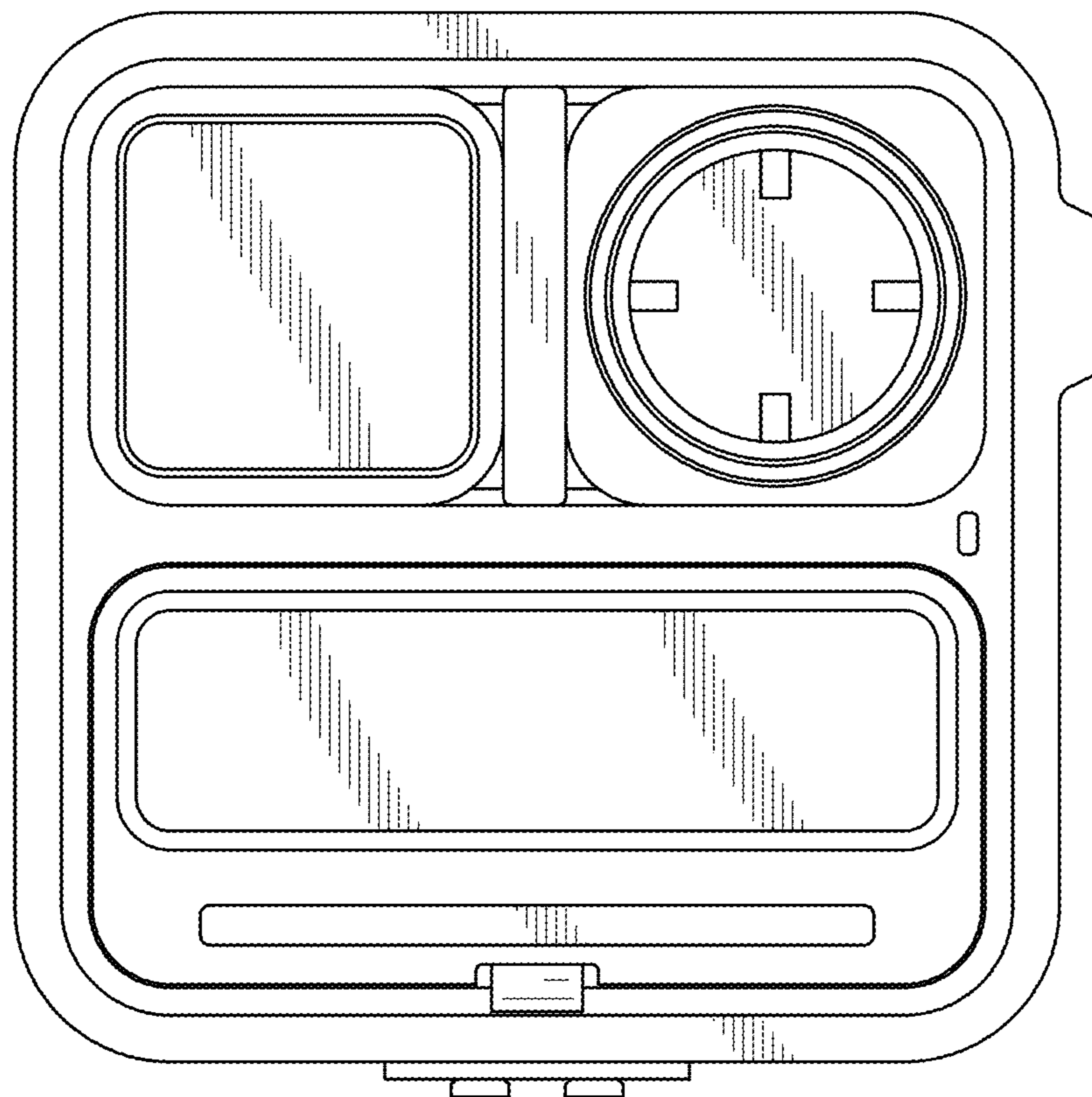


FIG. 2

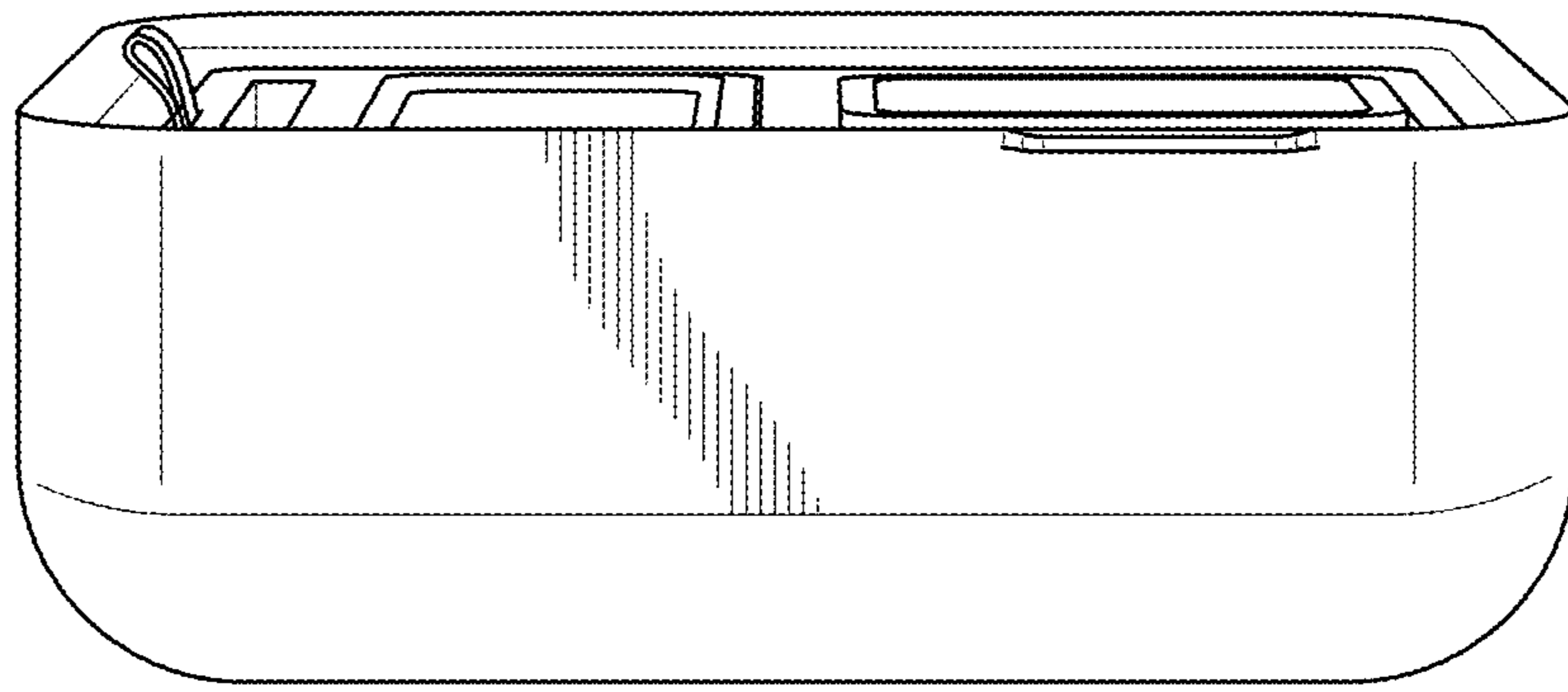


FIG. 3

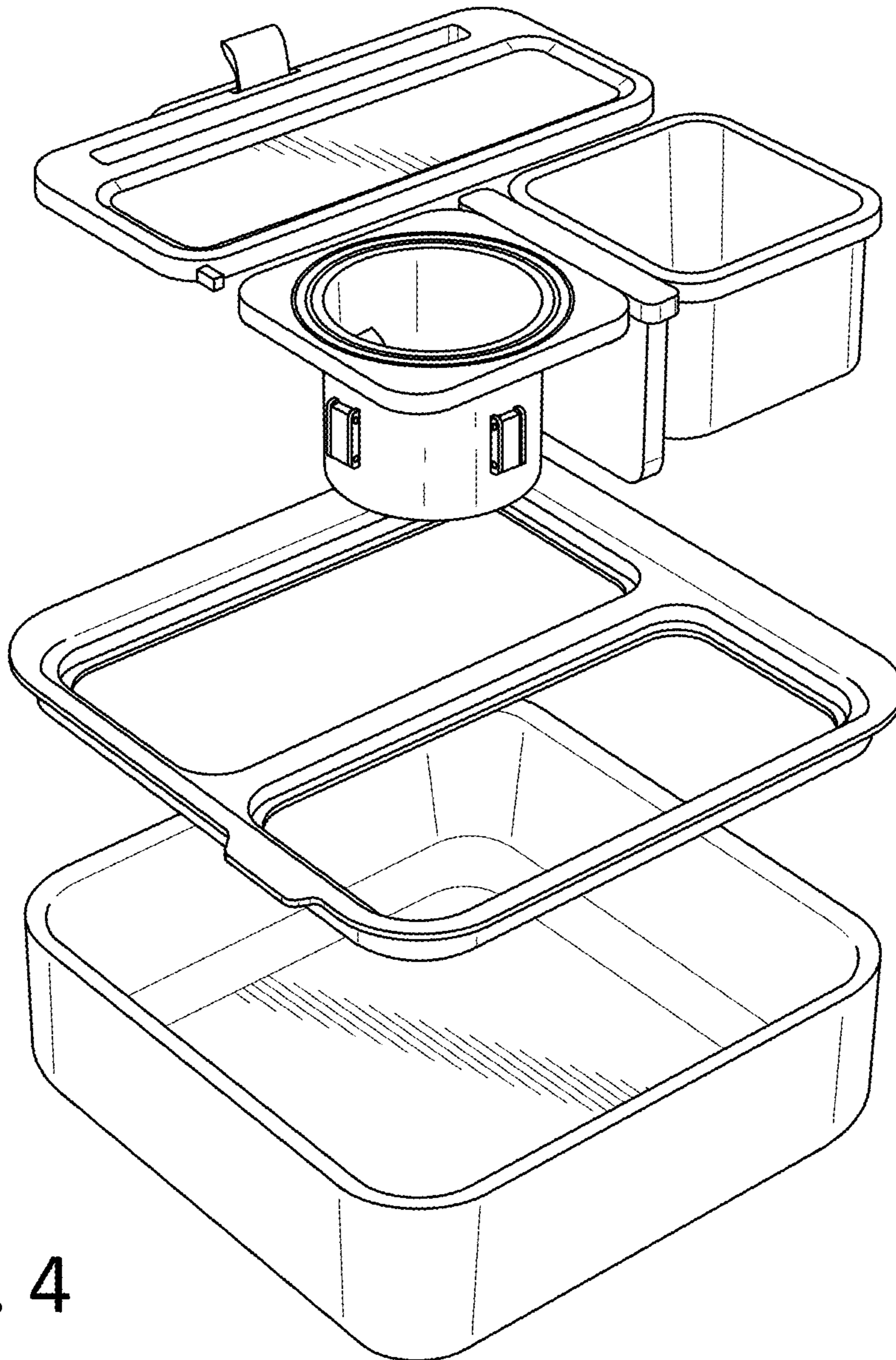


FIG. 4