



US00D970986S

(12) **United States Design Patent** (10) **Patent No.:** **US D970,986 S**
Joseph (45) **Date of Patent:** **** Nov. 29, 2022**

(54) **PEELER**

(71) Applicant: **Joseph Joseph Ltd.**, London (GB)

(72) Inventor: **Antony Joseph**, London (GB)

(73) Assignee: **JOSEPH JOSEPH, LTD.**, London (GB)

(**) Term: **15 Years**

(21) Appl. No.: **29/767,240**

(22) Filed: **Jan. 21, 2021**

(30) **Foreign Application Priority Data**

Jul. 22, 2020 (EM) 008050132-0005

(51) **LOC (13) Cl.** **07-04**

(52) **U.S. Cl.**
USPC **D7/695**

(58) **Field of Classification Search**

USPC D7/669, 368, 680-696

CPC .. A47J 17/02; A47J 17/00; A47J 17/04; A47J
17/08; A47J 17/10; A47J 43/00; B26B
27/002

See application file for complete search history.

(56) **References Cited**

U.S. PATENT DOCUMENTS

D533,411 S * 12/2006 Webb D7/678
D543,801 S * 6/2007 Hussey D7/695
D683,200 S * 5/2013 Joseph D7/695
D859,096 S * 9/2019 Umholtz D7/695

OTHER PUBLICATIONS

Amazon.com, Prepara Multi-Peeler, One Size, Green, Prepara Store, ASIN: B07g7SBW22, 6 pages, date first available Mar. 27, 2020 (Year: 2020).*

* cited by examiner

Primary Examiner — Terry A Wallace

(74) *Attorney, Agent, or Firm* — Millen, White, Zelano & Branigan, PC; Ryan Pool

(57) **CLAIM**

The ornamental design for a peeler, as shown and described.

DESCRIPTION

FIG. 1 is a perspective view of the peeler showing my new design.

FIG. 2 is a back view thereof.

FIG. 3 is a front view thereof.

FIG. 4 is a side view thereof.

FIG. 5 is another side view thereof.

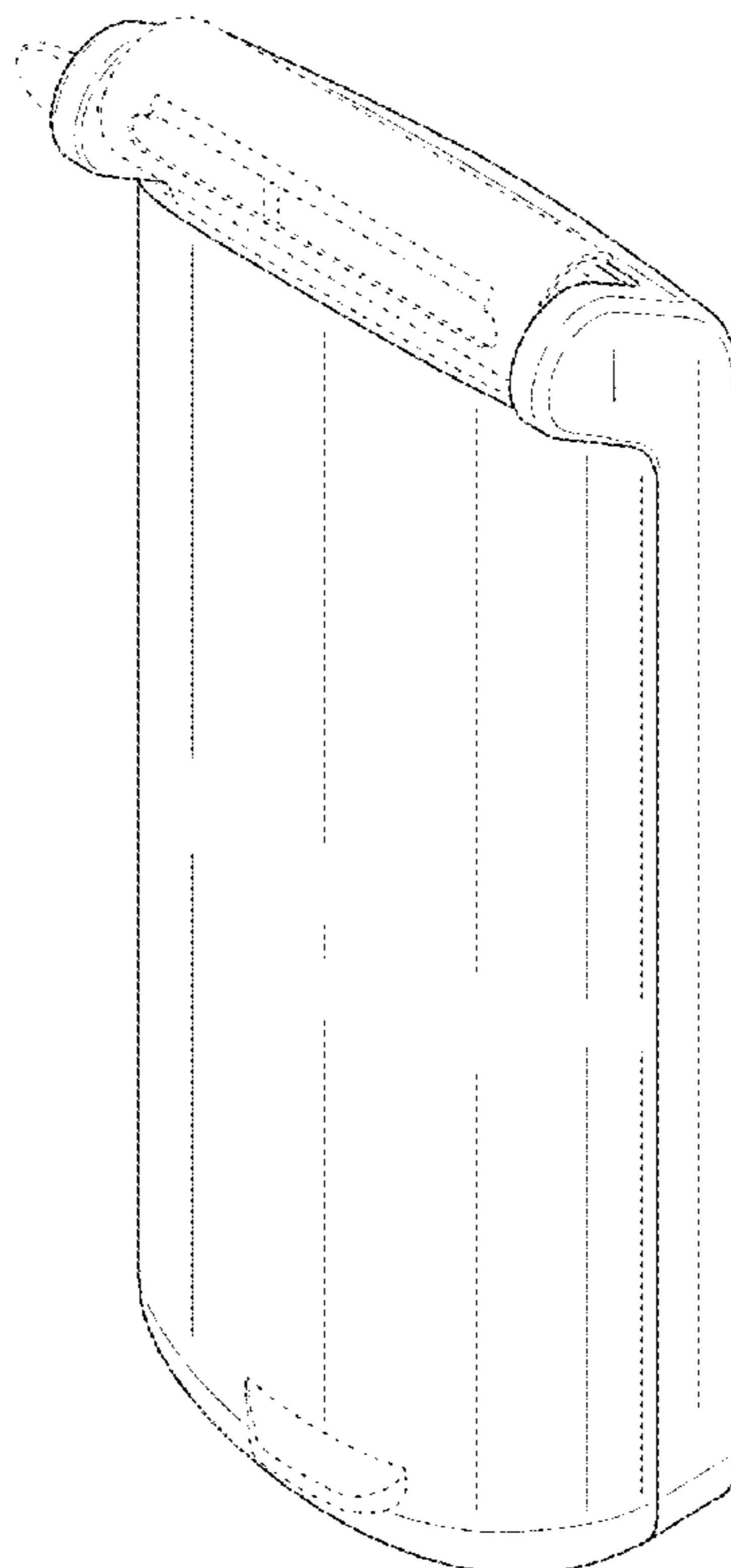
FIG. 6 is a top view thereof.

FIG. 7 is a bottom view thereof; and,

FIG. 8 is a perspective view in an extended confirmation thereof.

The broken lines in the drawings illustrate portions of the Peeler which form no part of the claimed design.

1 Claim, 8 Drawing Sheets



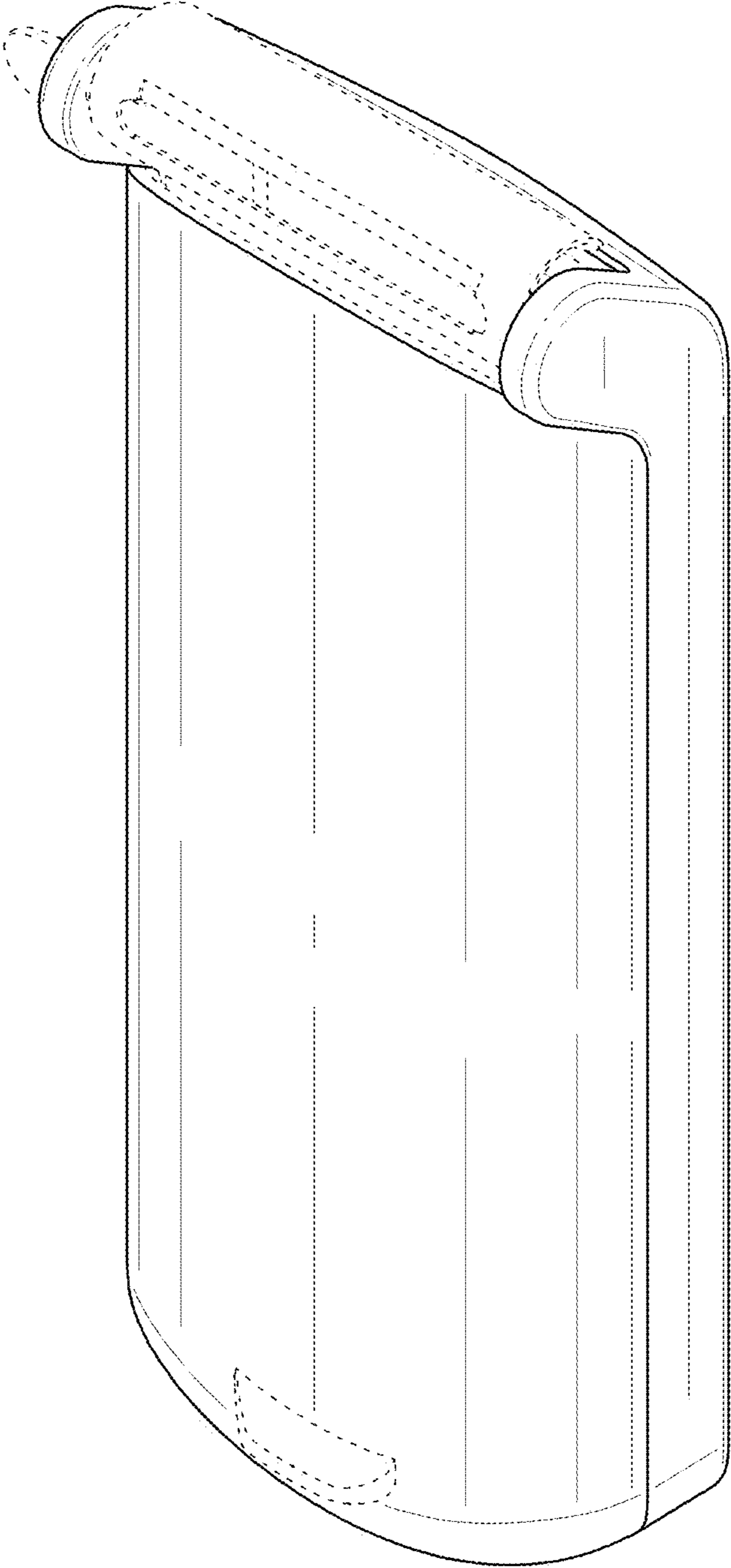


FIG. 1

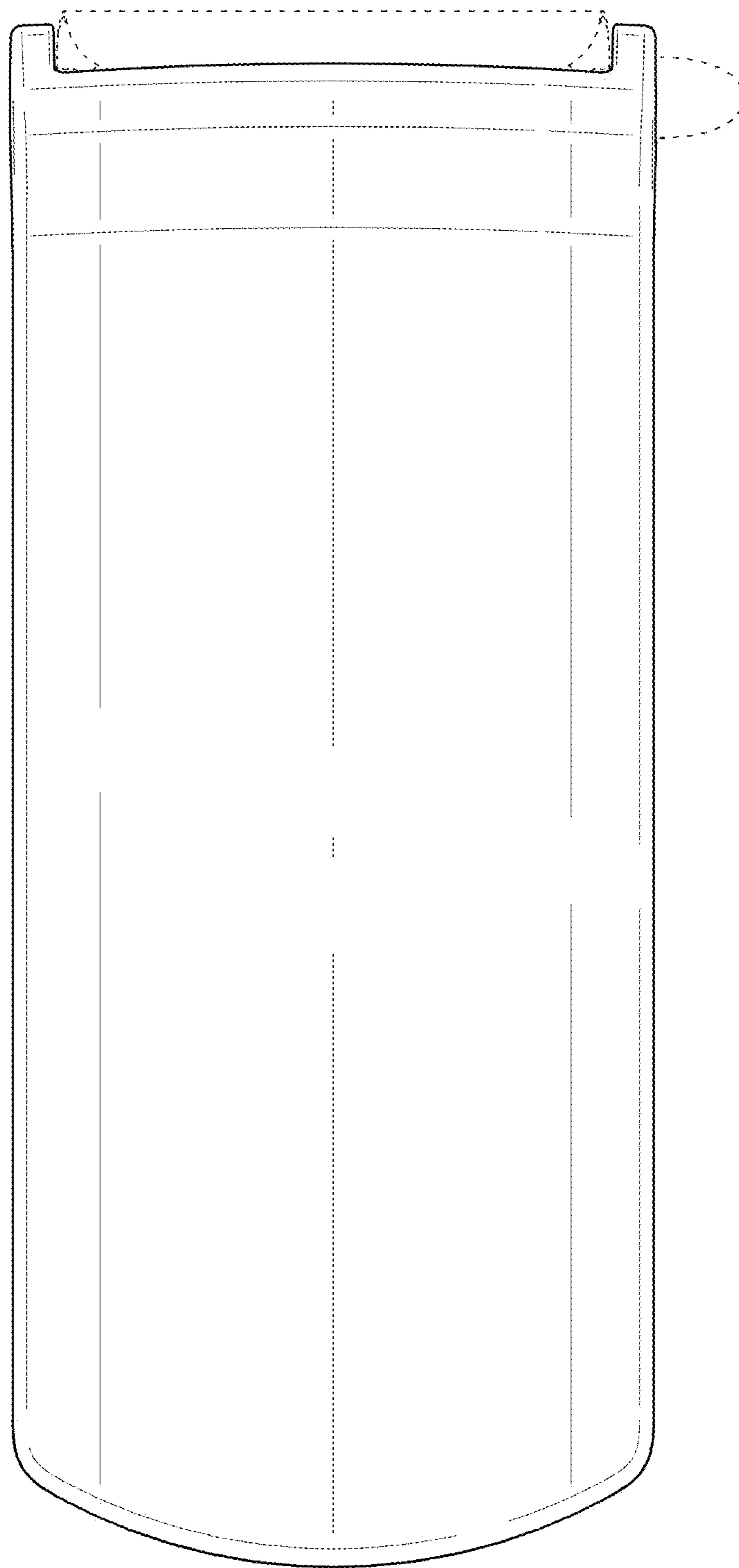


FIG. 2

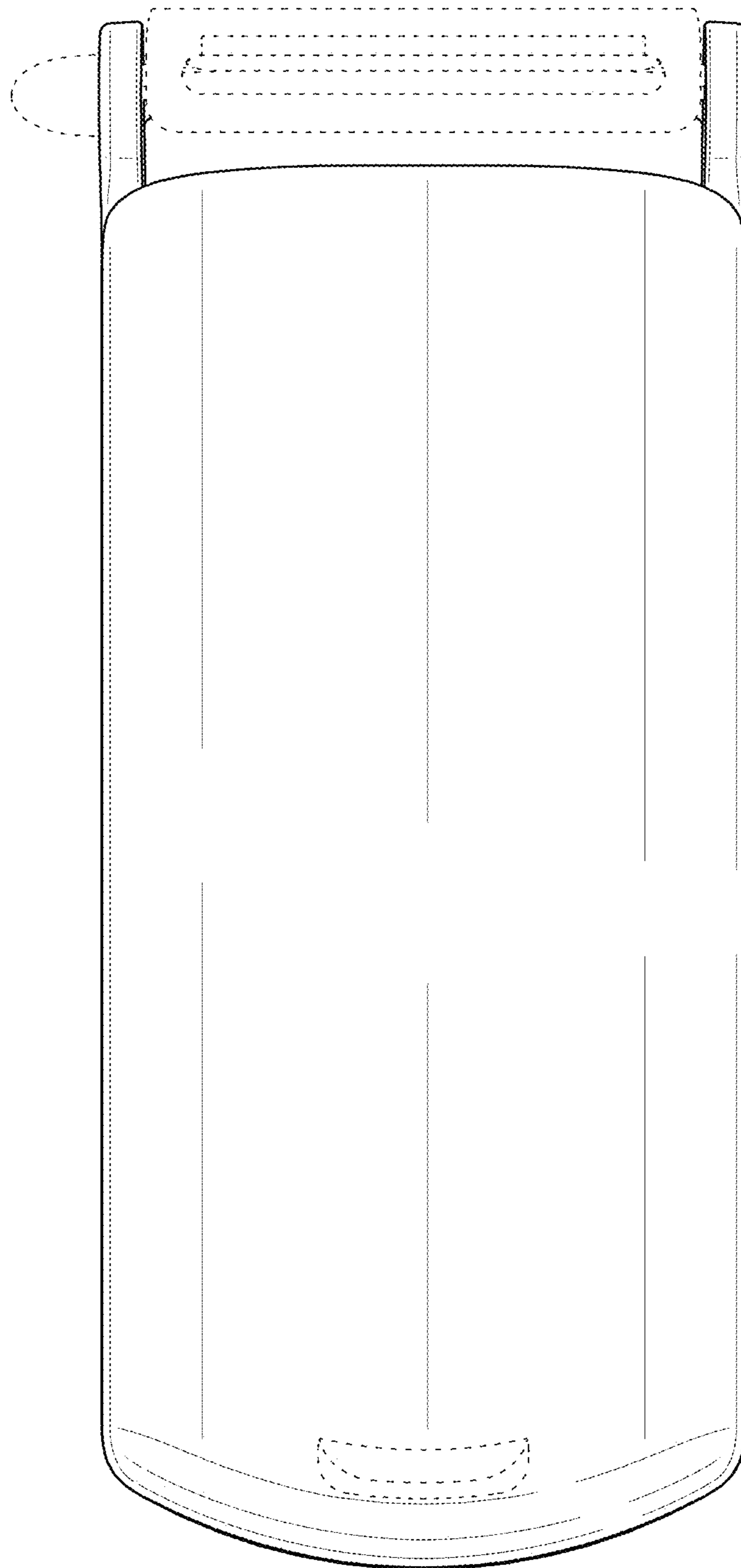


FIG. 3

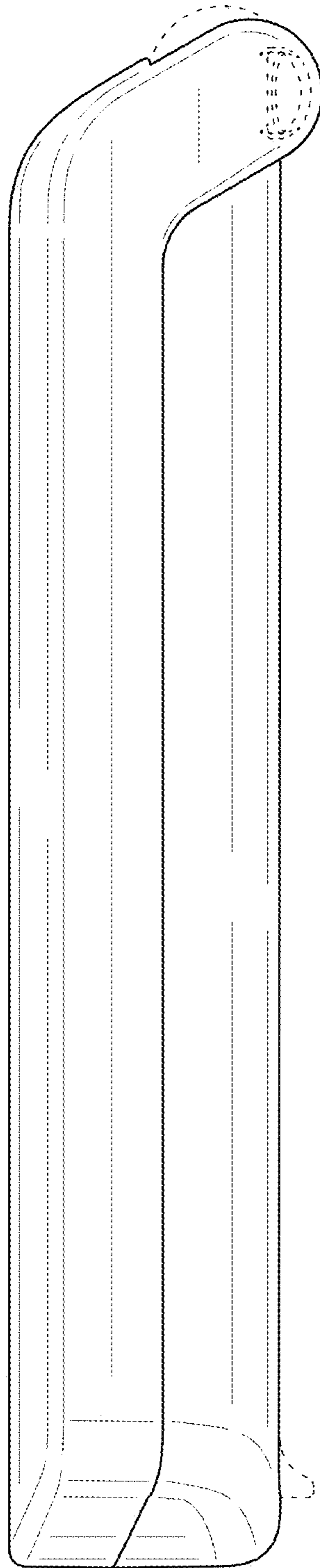


FIG. 4

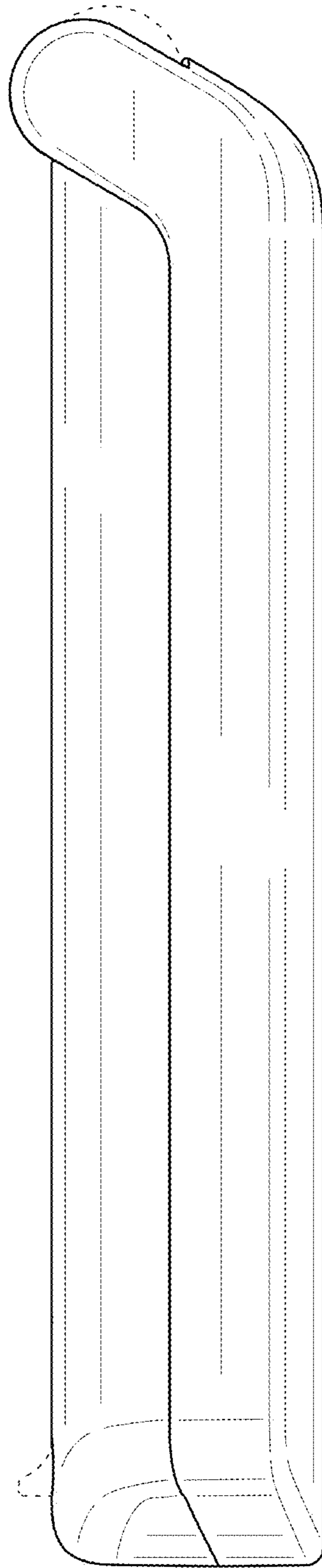


FIG. 5

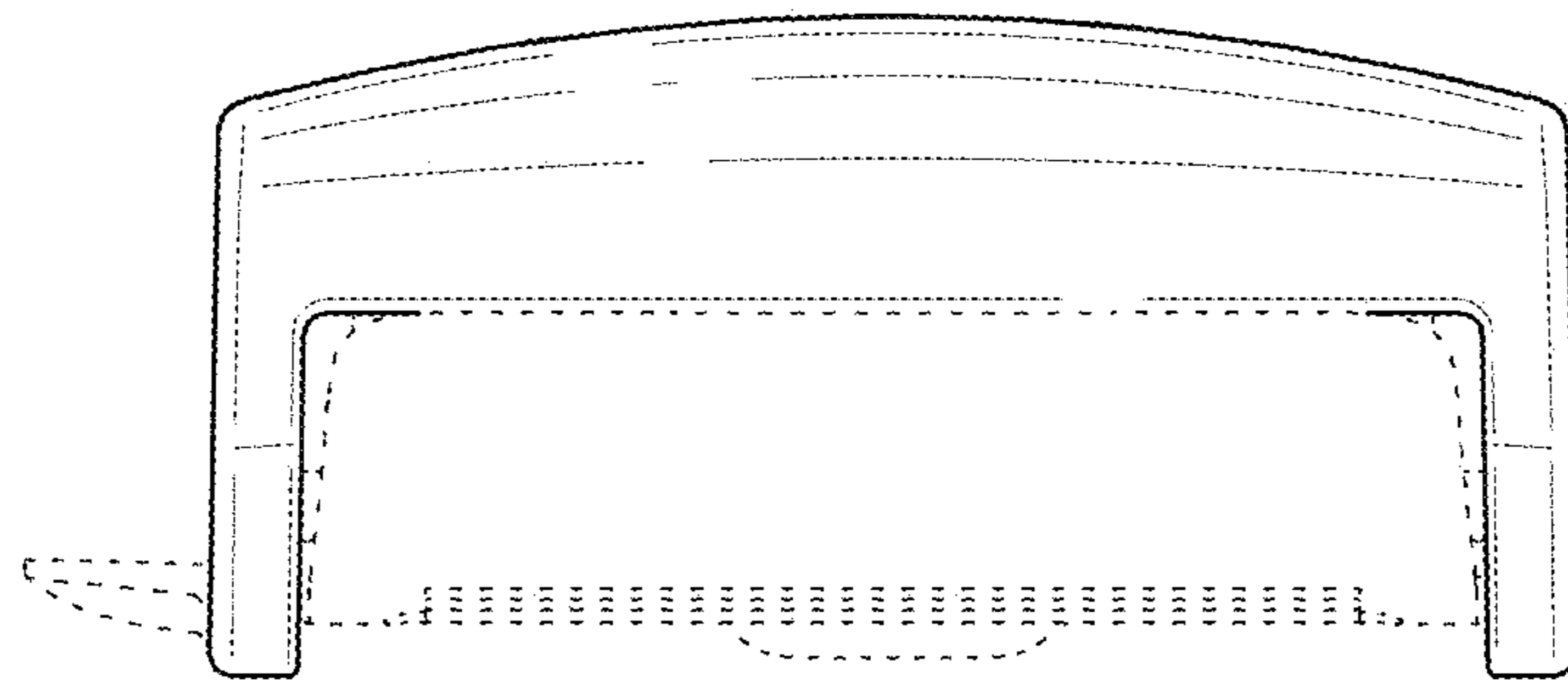


FIG. 6

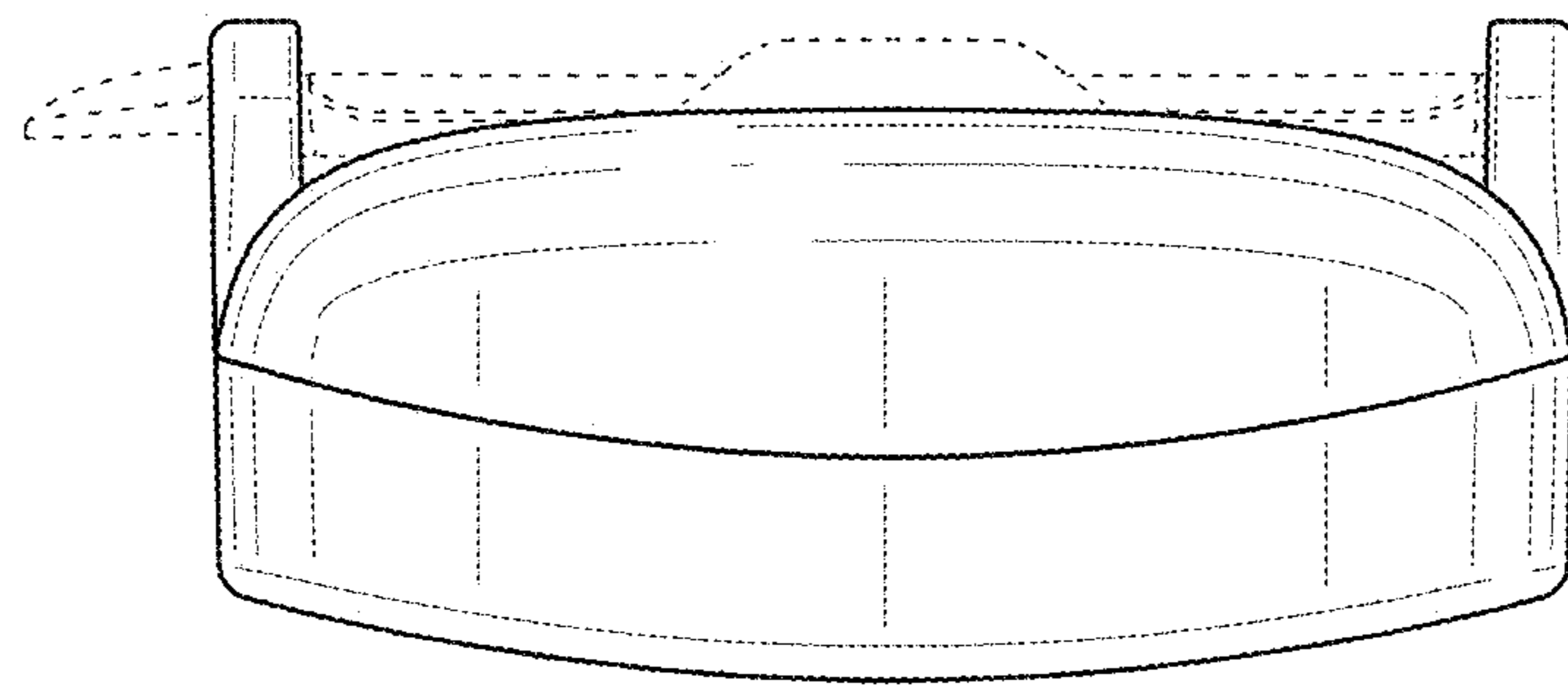


FIG. 7

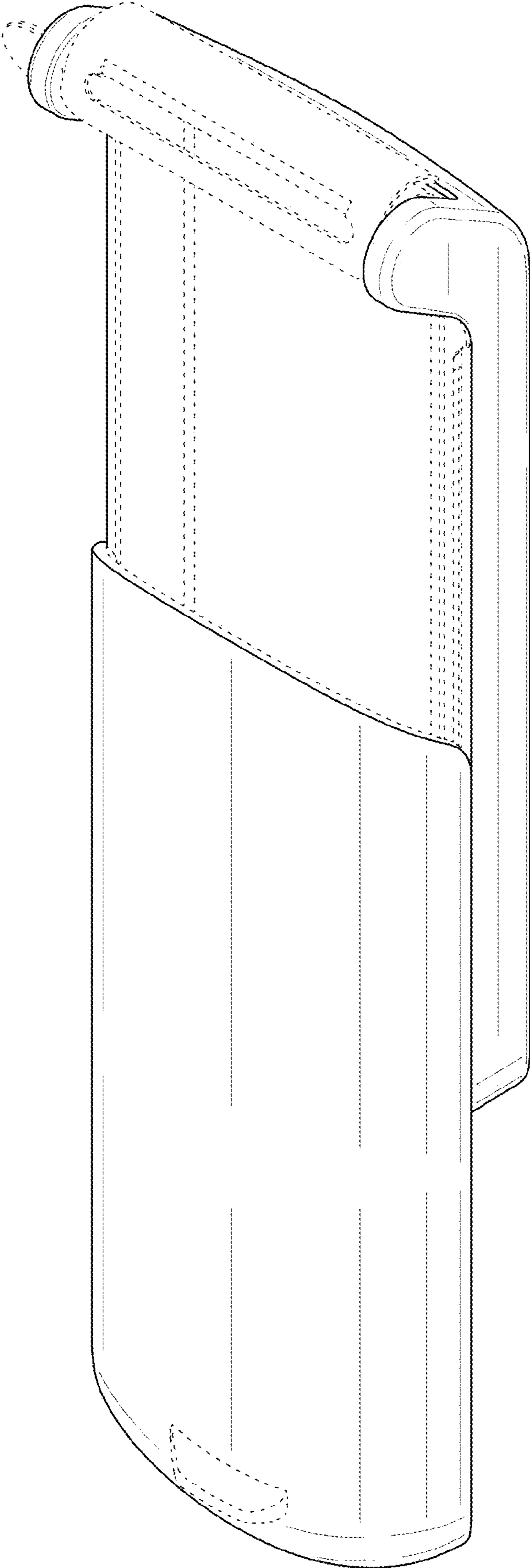


FIG. 8