

US00D970985S

(12) **United States Design Patent** (10) **Patent No.:** **US D970,985 S**
Kaal (45) **Date of Patent:** **** Nov. 29, 2022**

(54) **HAND-OPERATED ESPRESSO MAKER**

D304,140 S * 10/1989 Li D7/666
 5,330,266 A * 7/1994 Stubaus A47J 31/4485
 99/323.1
 D386,645 S * 11/1997 Fregnan D7/301
 D767,934 S * 10/2016 McConnell D7/380

(71) Applicant: **Superkop B.V.**, Herpt (NL)

(72) Inventor: **Geert Kaal**, Herpt (NL)

(**) Term: **15 Years**

(21) Appl. No.: **35/511,705**

(22) Filed: **Oct. 12, 2020**

(80) **Hague Agreement Data**

Int. Filing Date: **Oct. 12, 2020**
 Int. Reg. No.: **DM/211806**
 Int. Reg. Date: **Oct. 12, 2020**
 Int. Reg. Pub. Date: **Apr. 16, 2021**

(51) **LOC (13) Cl.** **31-00**

(52) **U.S. Cl.**
 USPC **D7/666; D7/300**

(58) **Field of Classification Search**
 USPC D7/300, 306, 365, 376, 392, 392.1,
 D7/396.2, 507, 509, 510, 511, 607, 665,
 D7/666, 399; D9/434, 435, 439, 440,
 D9/443, 450; D8/52, 67
 CPC A47J 31/02
 See application file for complete search history.

(56) **References Cited**

U.S. PATENT DOCUMENTS

D110,074 S * 6/1938 Scurlock D7/666
 D110,203 S * 6/1938 Bloomfield D7/666
 D112,652 S * 12/1938 Cecil D7/666
 3,885,309 A * 5/1975 Lund B23D 29/023
 D8/52
 4,505,191 A * 3/1985 Longo A47J 31/0657
 99/305

OTHER PUBLICATIONS

Superkop website, Superkop Black, Publication date unknown, [site visited Mar. 10, 2022], Available on the Internet URL: www.superkop.com/shop/superkop-black/ (Year: 2022).*
 Daily Coffee News, Superkop Introduces an Arresting Approach to Manual Espresso, Publication date Dec. 10, 2021, [site visited Mar. 10, 2022], Available on the Internet URL <https://dailycoffeenews.com/2021/12/10/superkop-introduces-an-arresting-approach-to-manual-espresso/> (Year: 2021).*

* cited by examiner

Primary Examiner — S. Bryan Reinholdt, Jr.
 (74) *Attorney, Agent, or Firm* — Fresh IP PLC; Clifford D. Hyra; Micah C. Gunn

(57) **CLAIM**

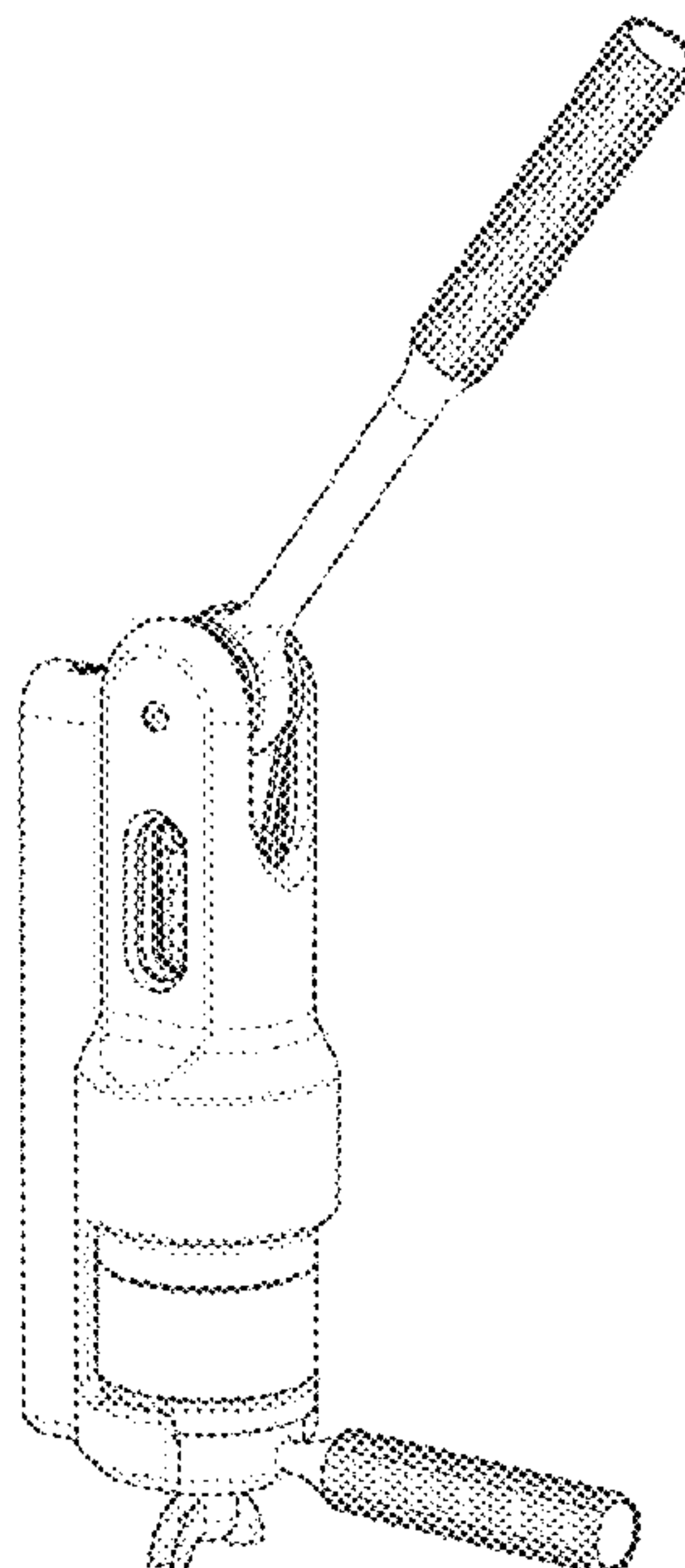
The ornamental design for an hand-operated espresso maker, as shown and described.

DESCRIPTION

1. Hand-operated espresso maker
- 1.1 : Right
- 1.2 : Front
- 1.3 : Left
- 1.4 : Back
- 1.5 : Bottom
- 1.6 : Perspective
- 1.7 : Top

The broken lines and the areas within them depict portions of the hand-operated espresso maker that form no part of the design.

1 Claim, 7 Drawing Sheets



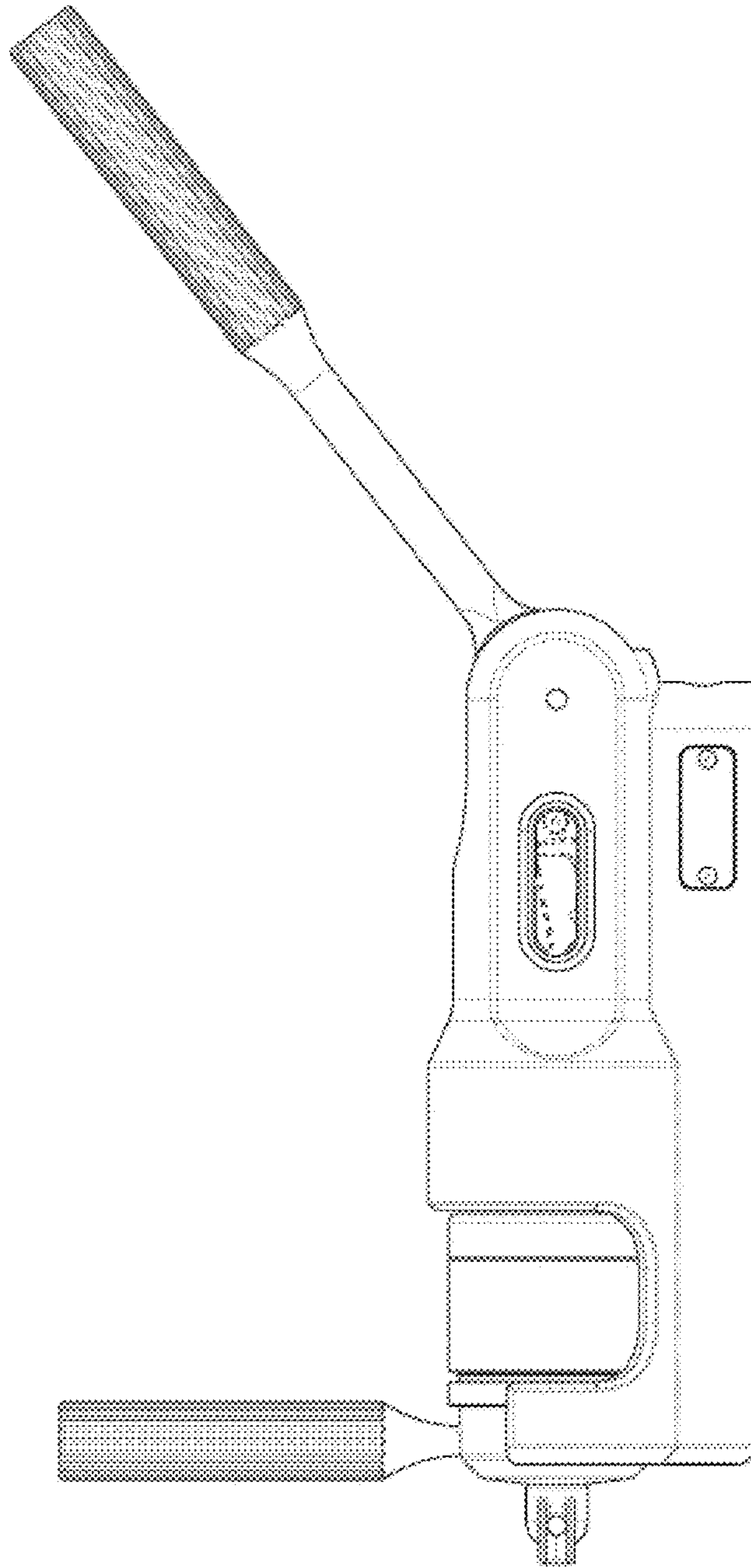


FIG. 1.1

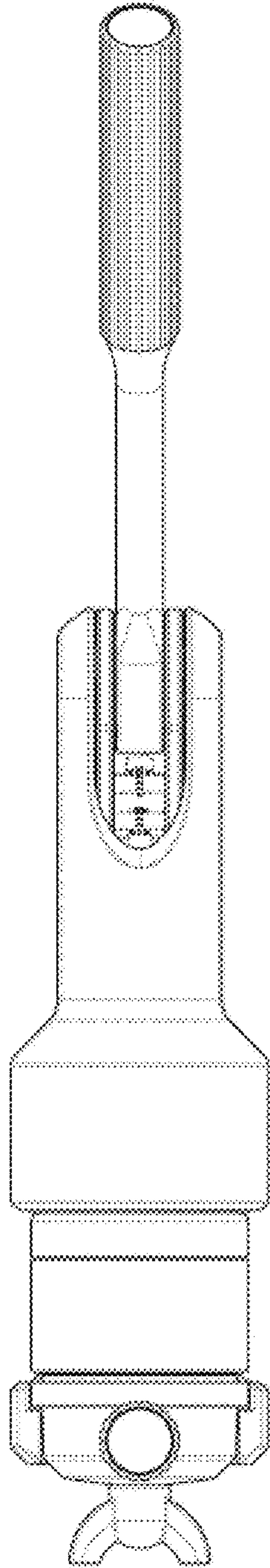


FIG. 1.2

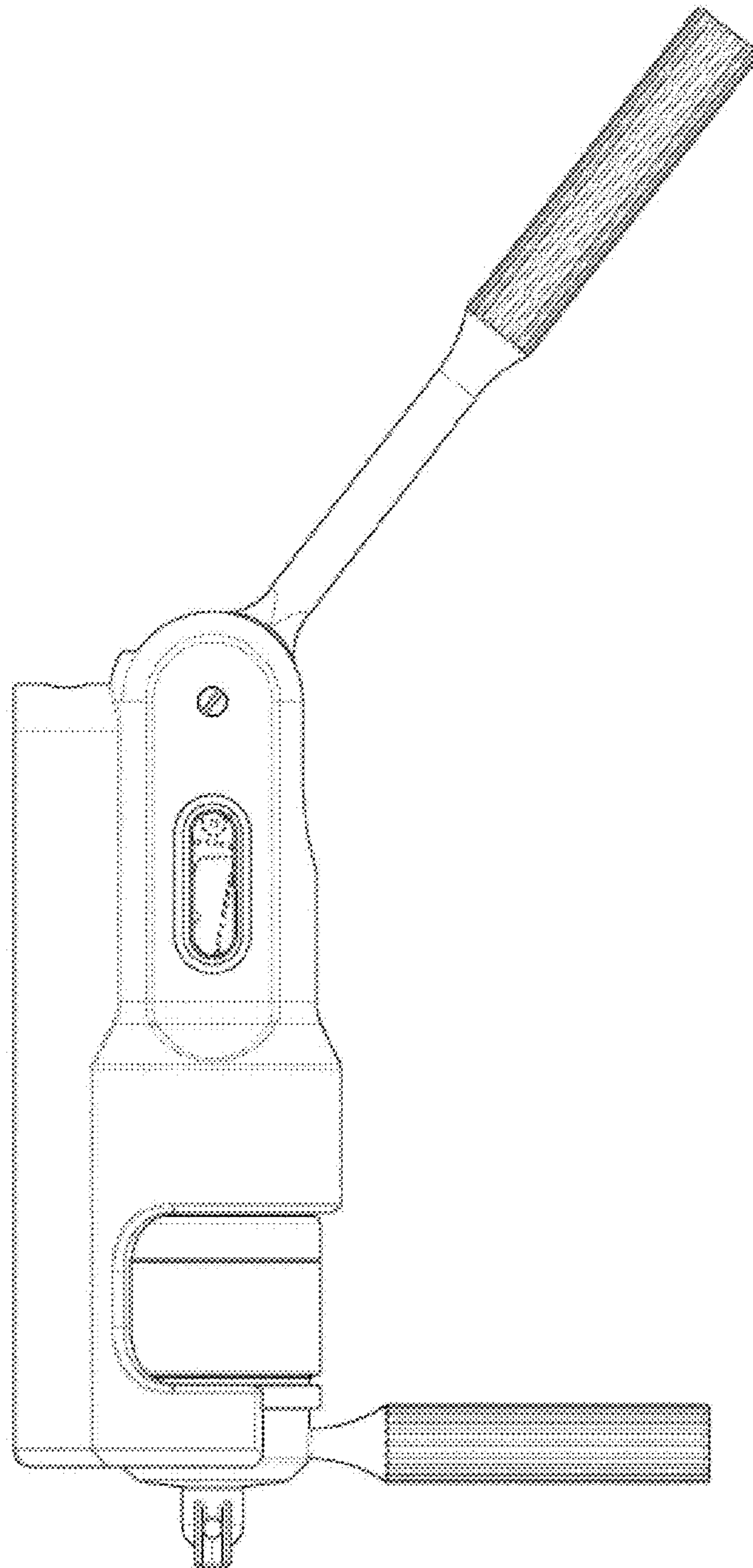


FIG. 1.3

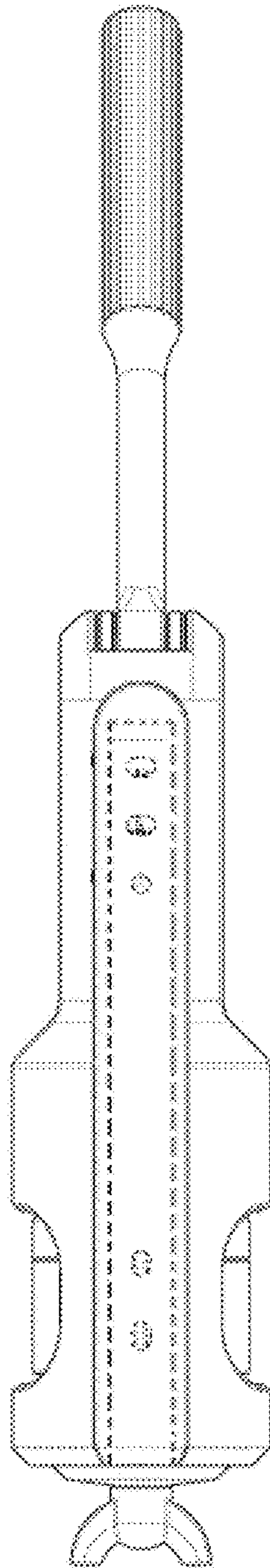


FIG. 1.4

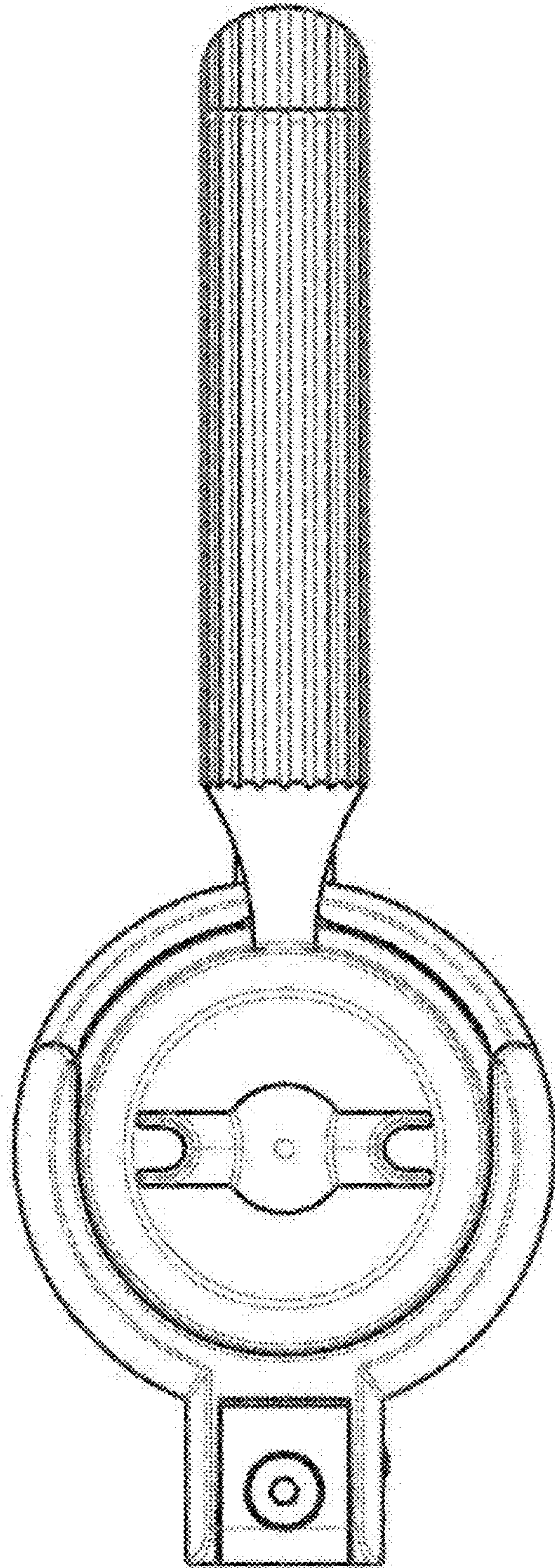


FIG. 1.5

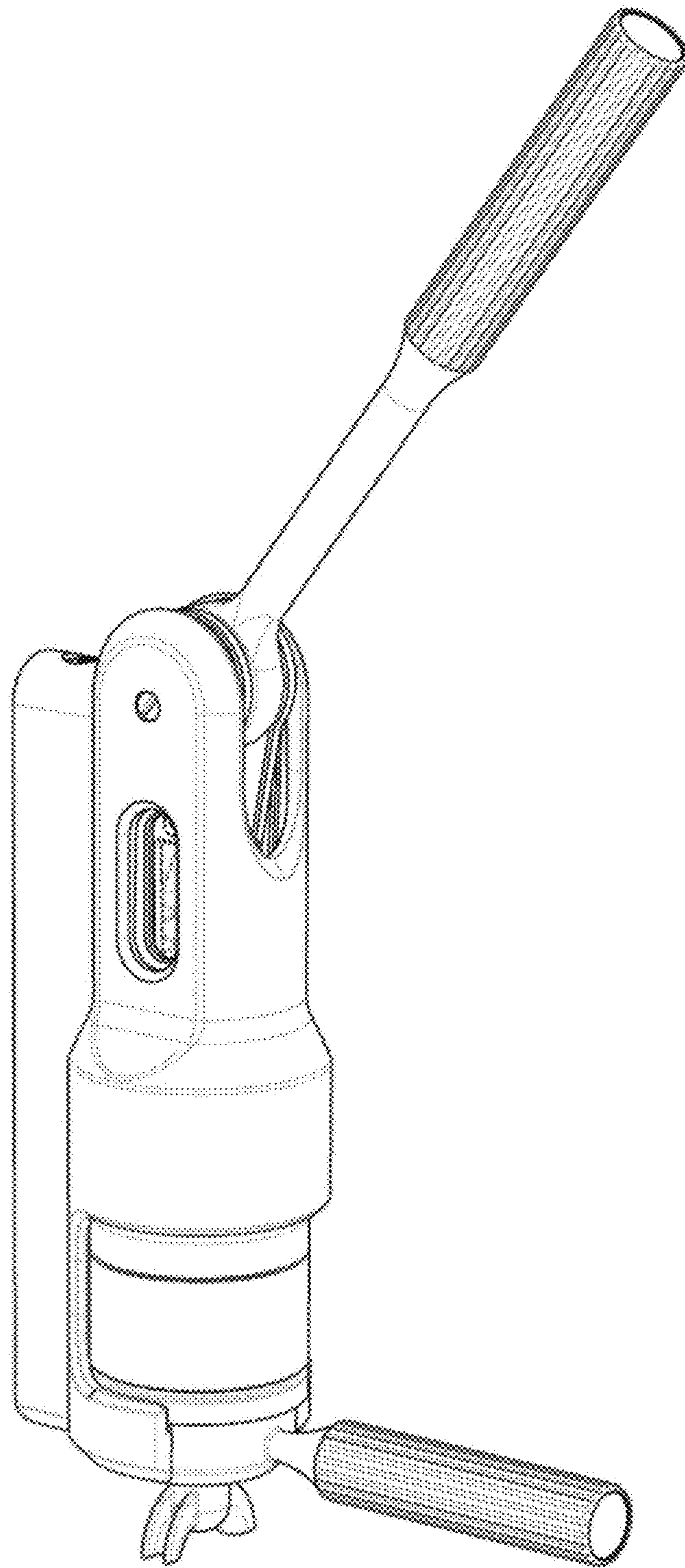


FIG. 1.6

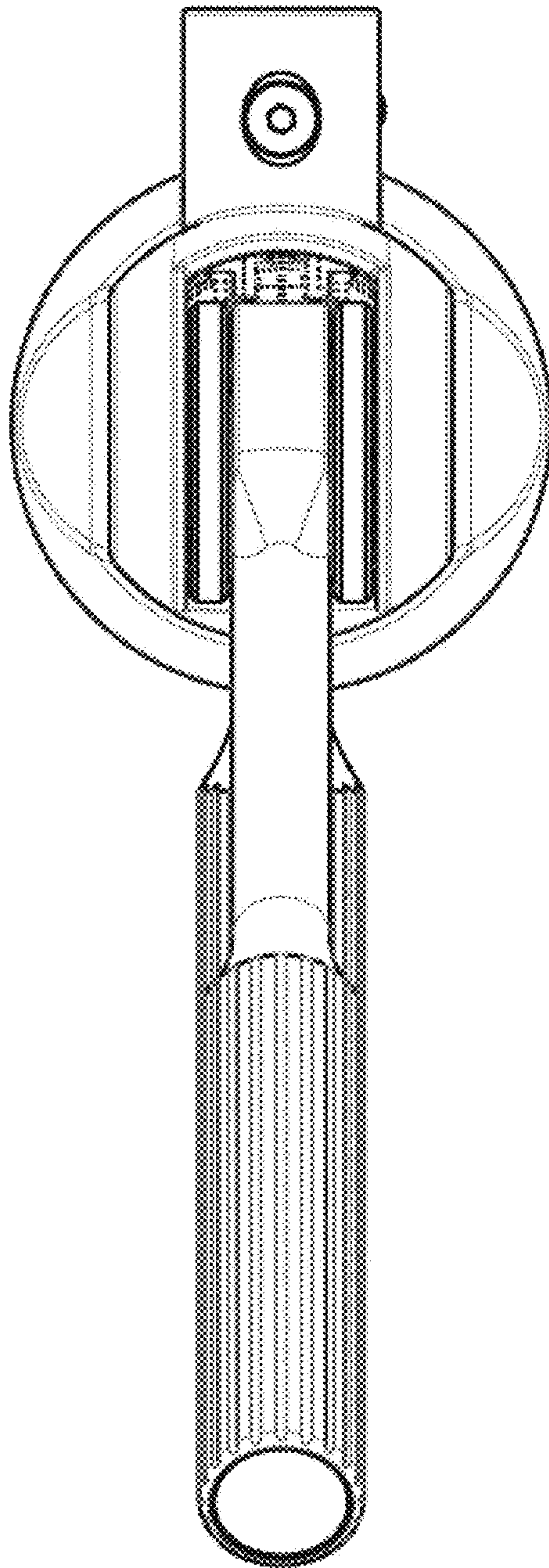


FIG. 1.7