



US00D970984S

(12) **United States Design Patent**
Kim

(10) **Patent No.:** **US D970,984 S**

(45) **Date of Patent:** **** Nov. 29, 2022**

(54) **JUICE EXTRACTOR BARREL**

(71) Applicant: **NUC ELECTRONICS CO., LTD.**,
Daegu (KR)

(72) Inventor: **Jong Boo Kim**, Daegu (KR)

(73) Assignee: **NUC ELECTRONICS CO., LTD.**,
Daegu (KR)

(**) Term: **15 Years**

(21) Appl. No.: **35/512,139**

(22) Filed: **Jan. 5, 2021**

(80) **Hague Agreement Data**

Int. Filing Date: **Jan. 5, 2021**

Int. Reg. No.: **DM/214501**

Int. Reg. Date: **Jan. 5, 2021**

Int. Reg. Pub. Date: **Jul. 9, 2021**

(30) **Foreign Application Priority Data**

Dec. 21, 2020 (KR) 30-2020-0063715

(51) **LOC (13) Cl.** **07-04**

(52) **U.S. Cl.**
USPC **D7/665; D23/233**

(58) **Field of Classification Search**
USPC D7/300, 306, 309, 352, 358, 362, 553,
D7/665; D23/233, 235, 245, 263, 264
CPC B30B 9/02; F16K 31/36
See application file for complete search history.

(56) **References Cited**

U.S. PATENT DOCUMENTS

D226,524 S * 3/1973 Brindisi D23/235
D291,479 S * 8/1987 Padilla D23/264

D652,116 S * 1/2012 Fukushima D23/235
D667,082 S * 9/2012 Fukushima D23/235
D667,930 S * 9/2012 Yamada D23/233
D691,717 S * 10/2013 McLean D24/129
D736,896 S * 8/2015 Nishimura D23/233
D758,540 S * 6/2016 Shishido D23/233
D834,712 S * 11/2018 Gulliver D24/129
D886,250 S * 6/2020 Ji Ho D23/233
D886,953 S * 6/2020 Gabriel D23/245
D912,205 S * 3/2021 Cordua D23/233
D912,216 S * 3/2021 Malimovka D23/245
D944,931 S * 3/2022 Thibodeaux, Jr. D23/245

* cited by examiner

Primary Examiner — S. Bryan Reinholdt, Jr.

(74) *Attorney, Agent, or Firm* — Seed IP Law Group LLP

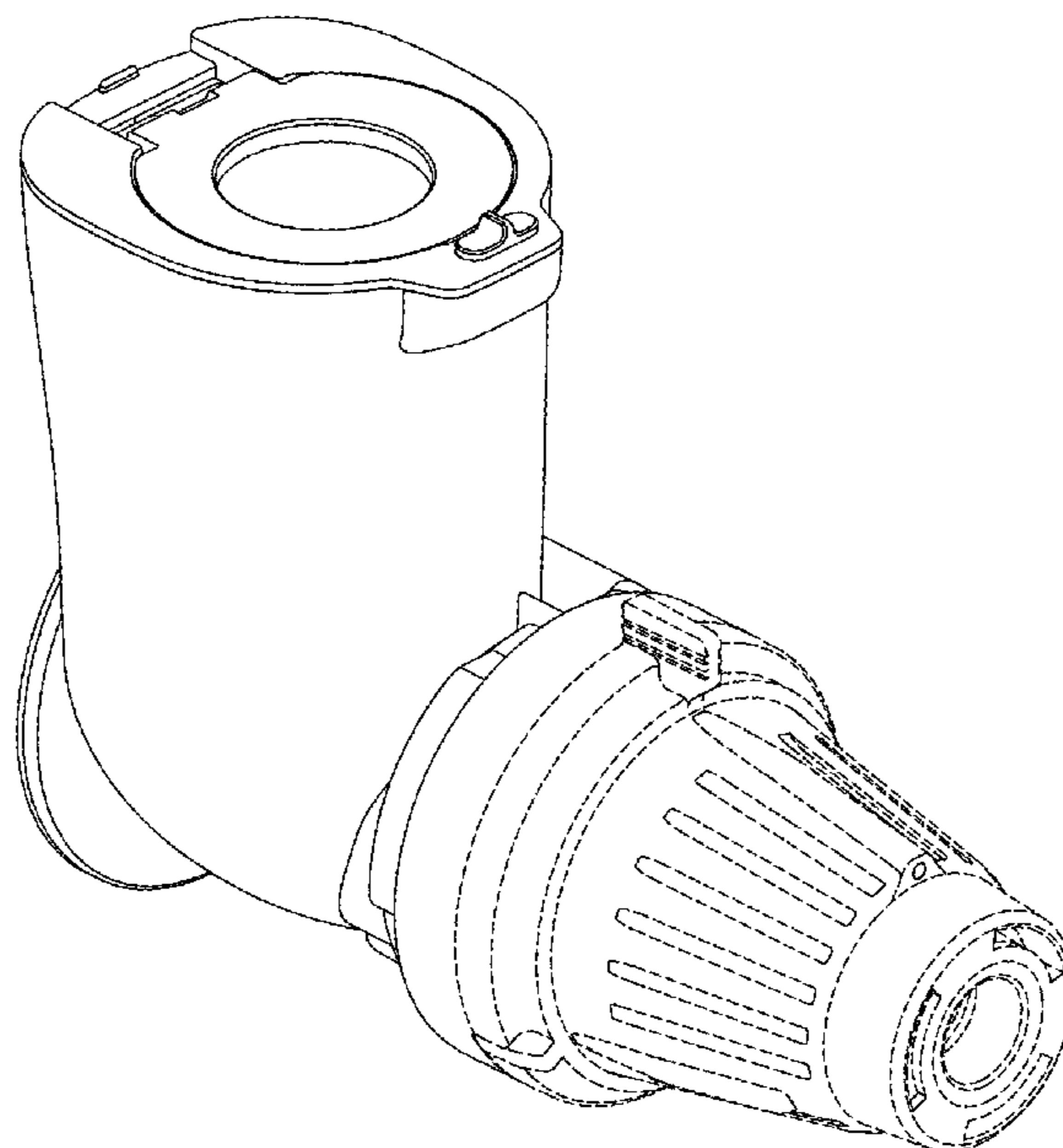
(57) **CLAIM**

The ornamental design for a juice extractor barrel, as shown and described.

DESCRIPTION

1. Juice extractor barrel
FIG. 1.1 is a front, left and top axonometric view of the juice extractor barrel showing my new design;
FIG. 1.2 is a front elevation view thereof;
FIG. 1.3 is a back elevation view thereof;
FIG. 1.4 is a left elevation view thereof;
FIG. 1.5 is a right elevation view thereof;
FIG. 1.6 is a top plan view thereof; and
FIG. 1.7 is a bottom plan view thereof.
The design is a juice extractor barrel for grinding food materials such as vegetables and fruits and extracting the juice thereof. The evenly spaced dashed broken lines depict portions of the juice extractor barrel that form no part of the claimed design.

1 Claim, 7 Drawing Sheets



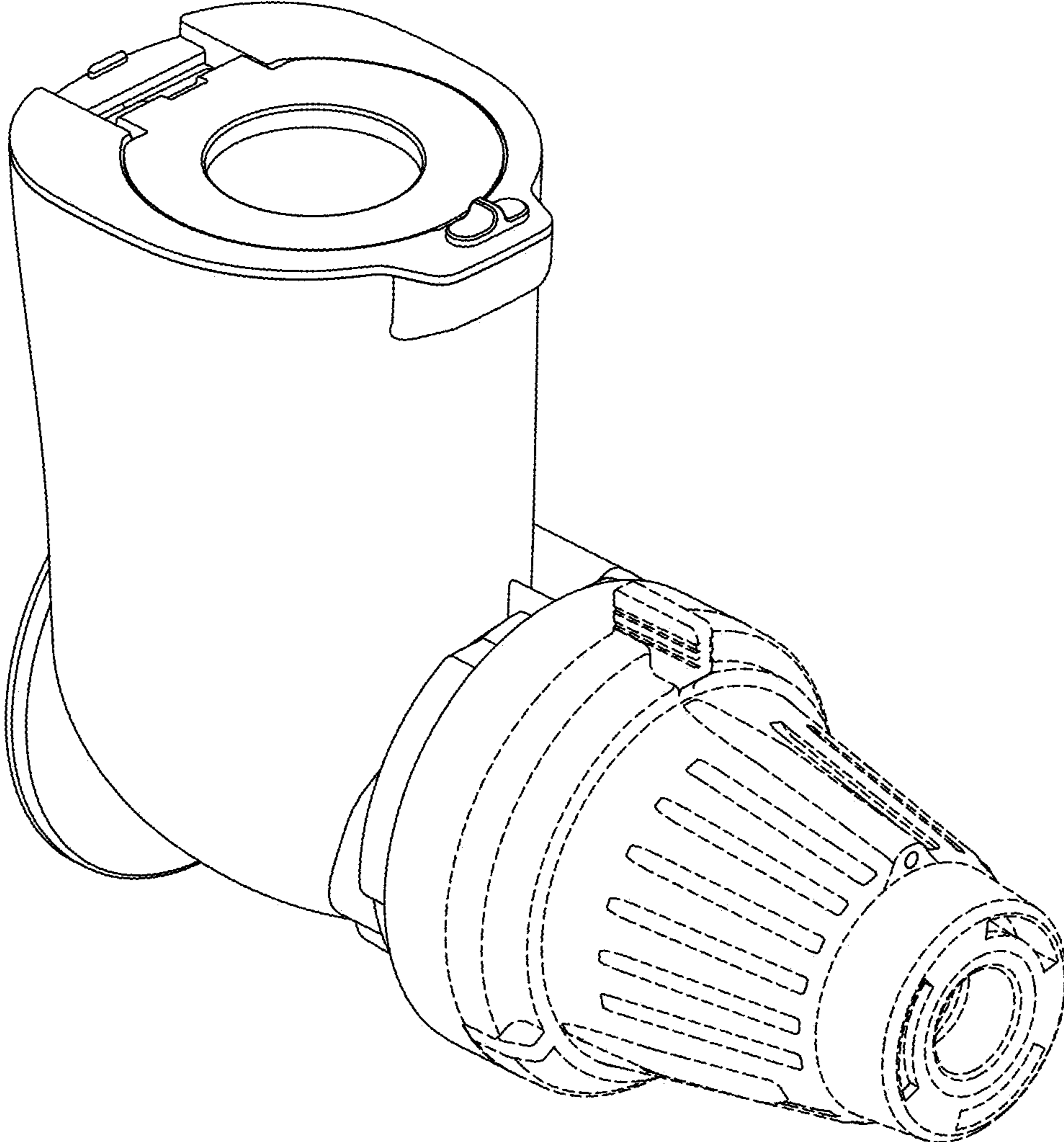


FIG. 1.1

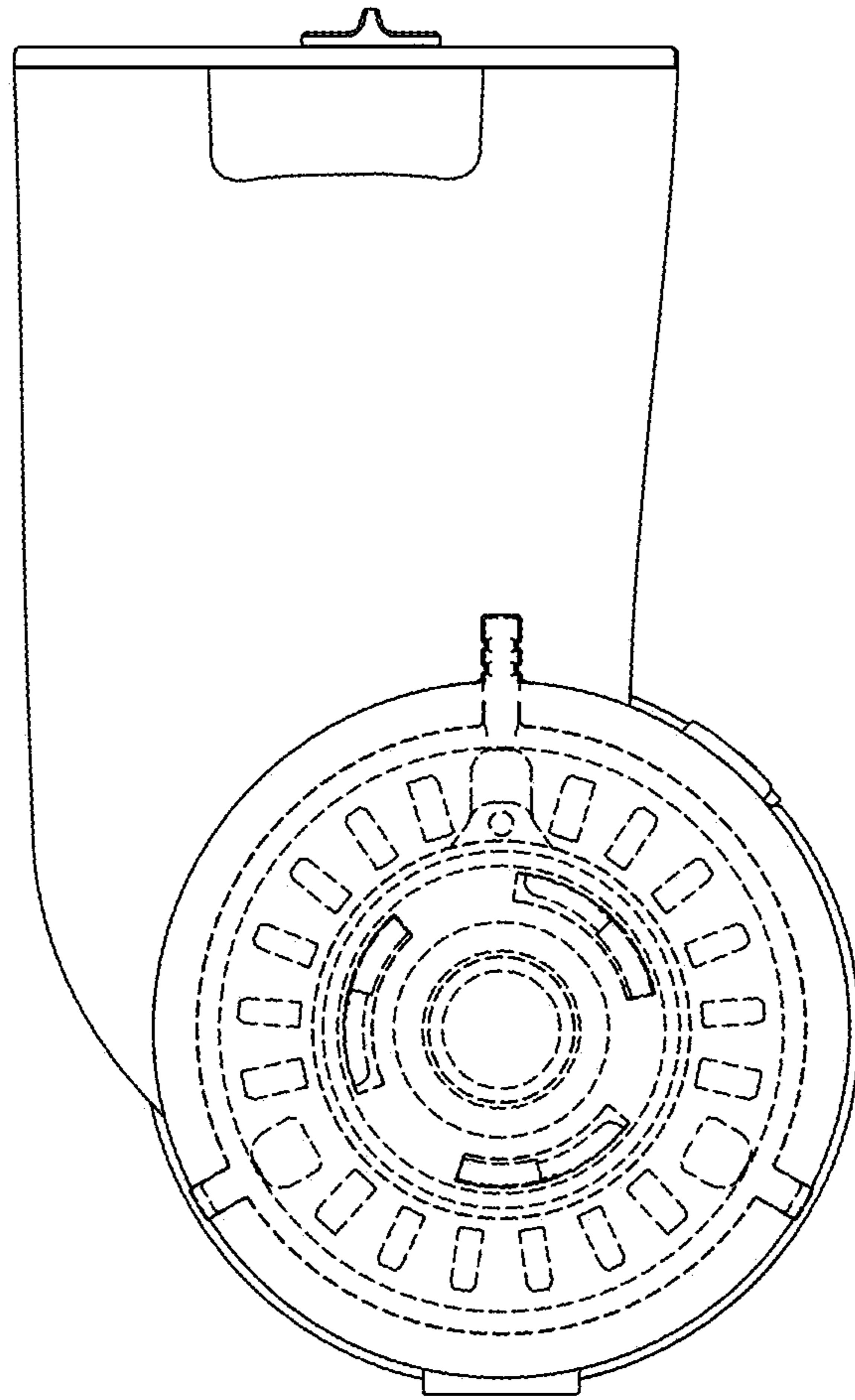


FIG. 1.2

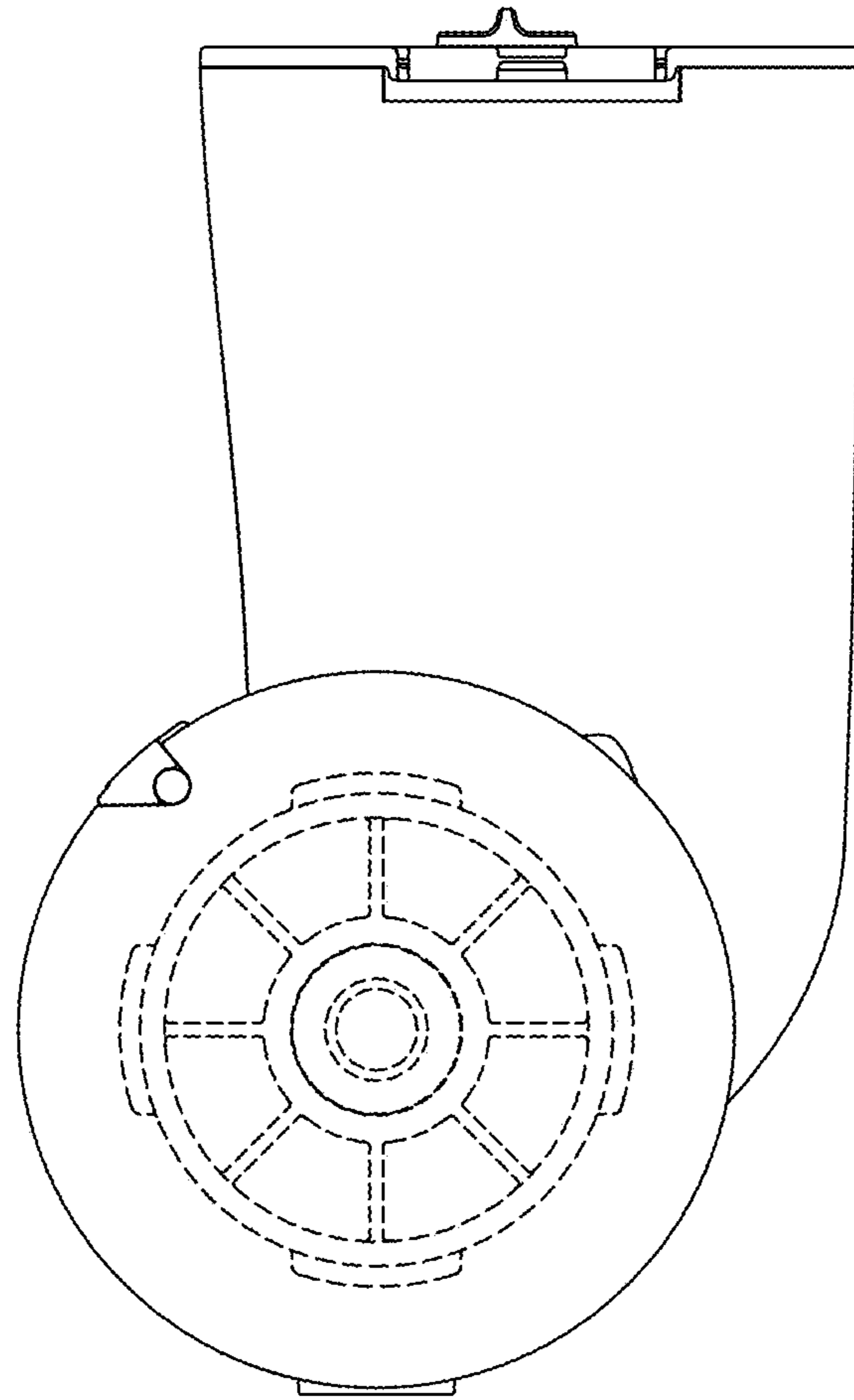


FIG. 1.3

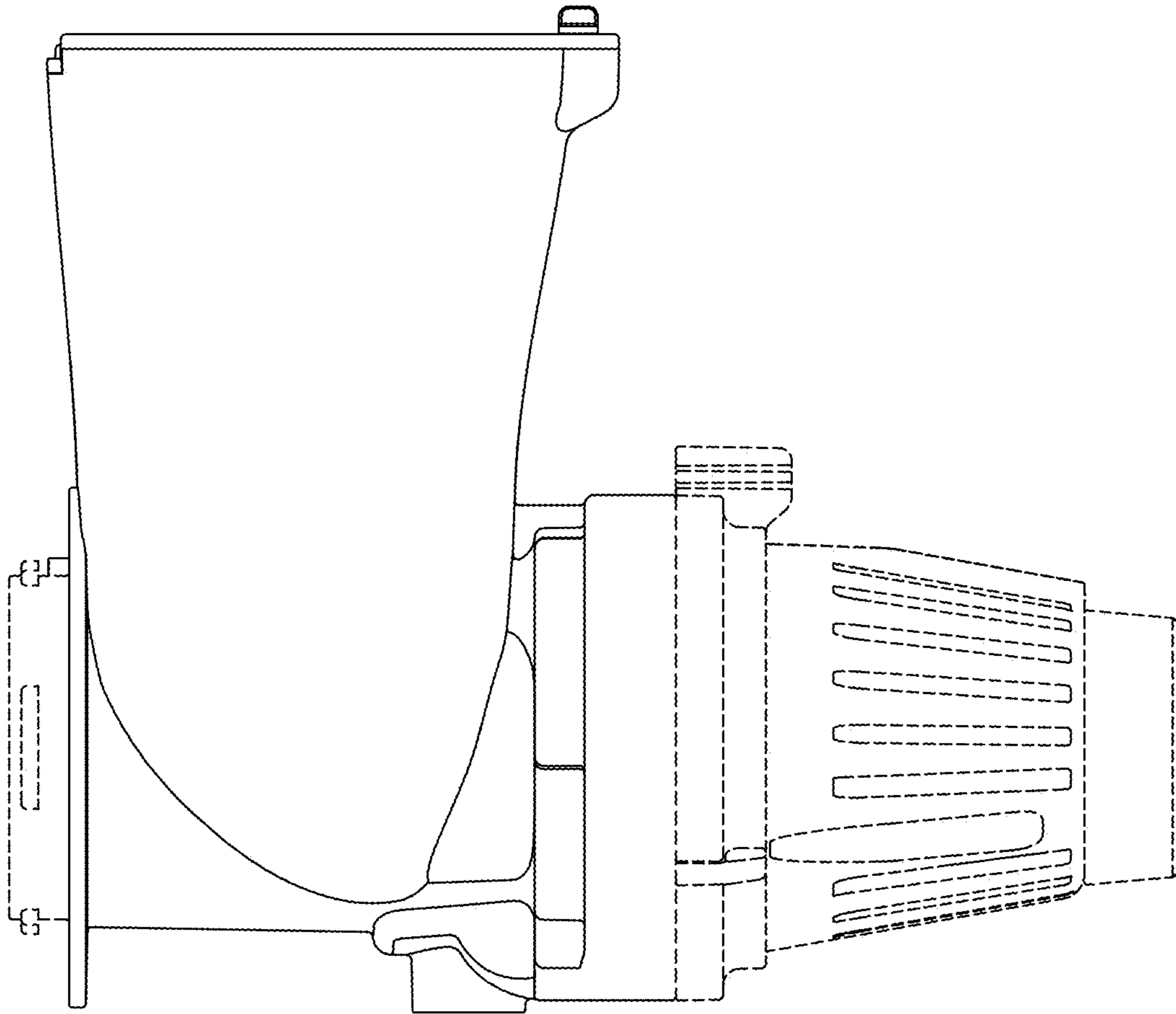


FIG. 1.4

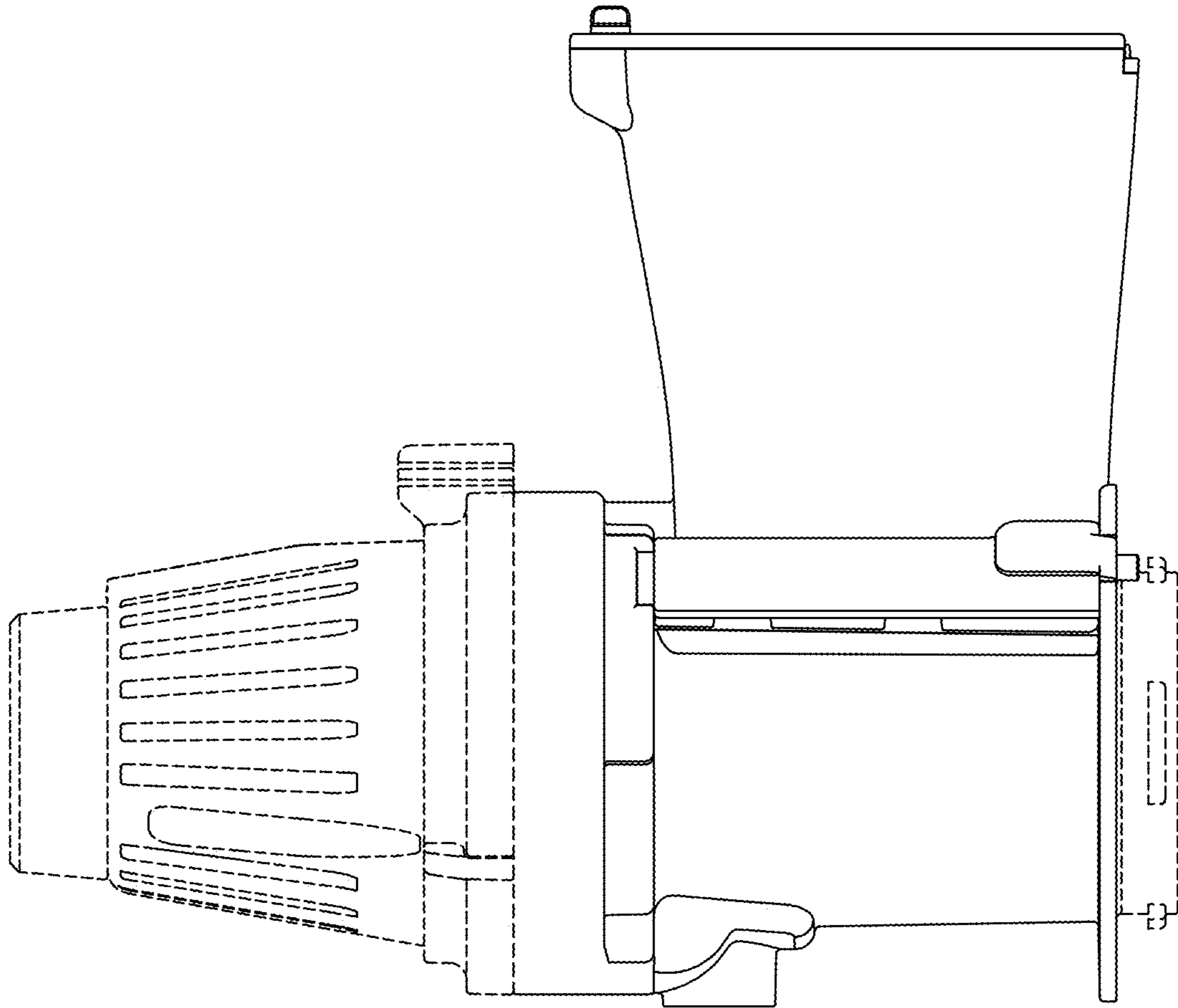


FIG. 1.5

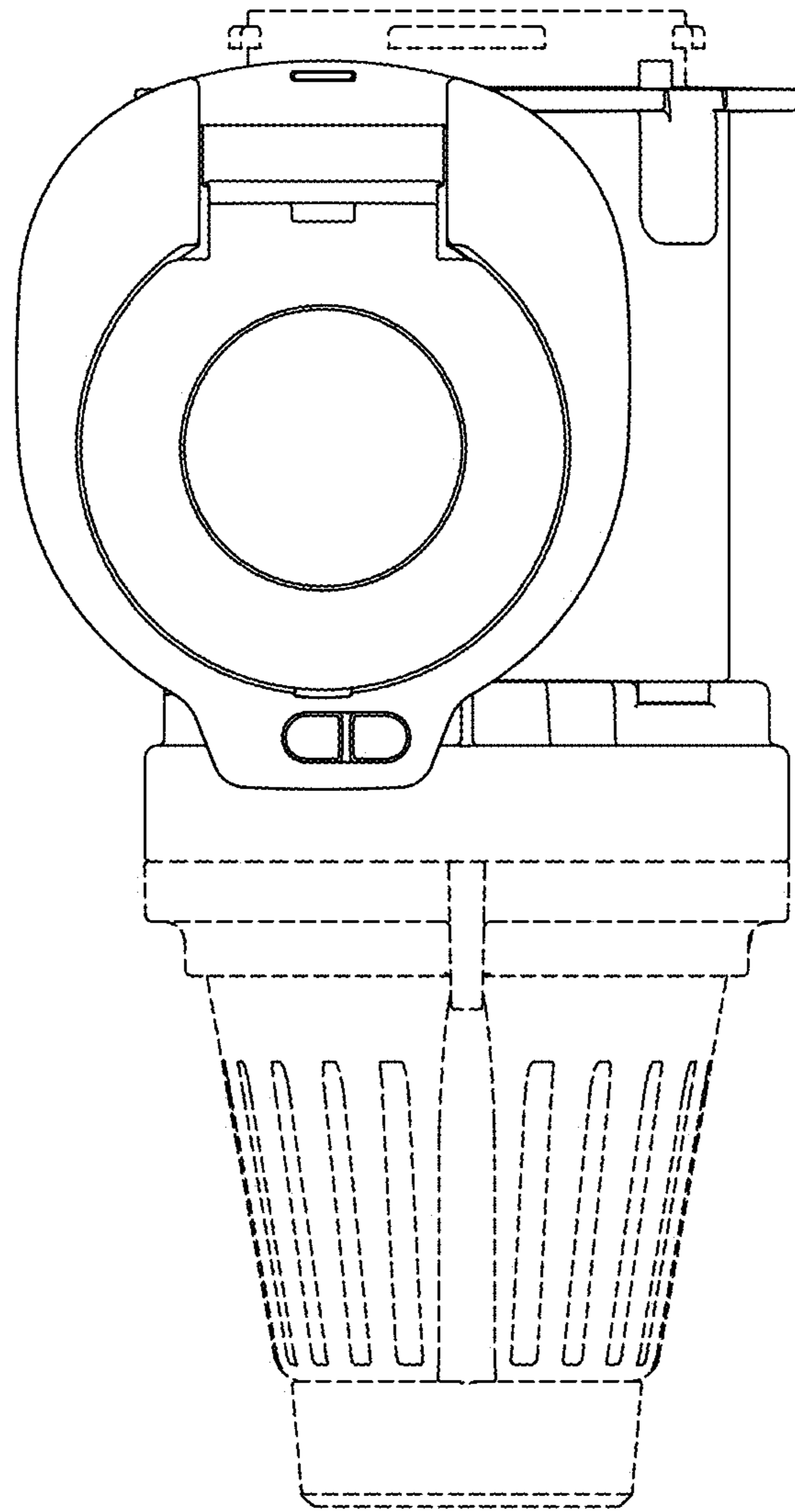


FIG. 1.6

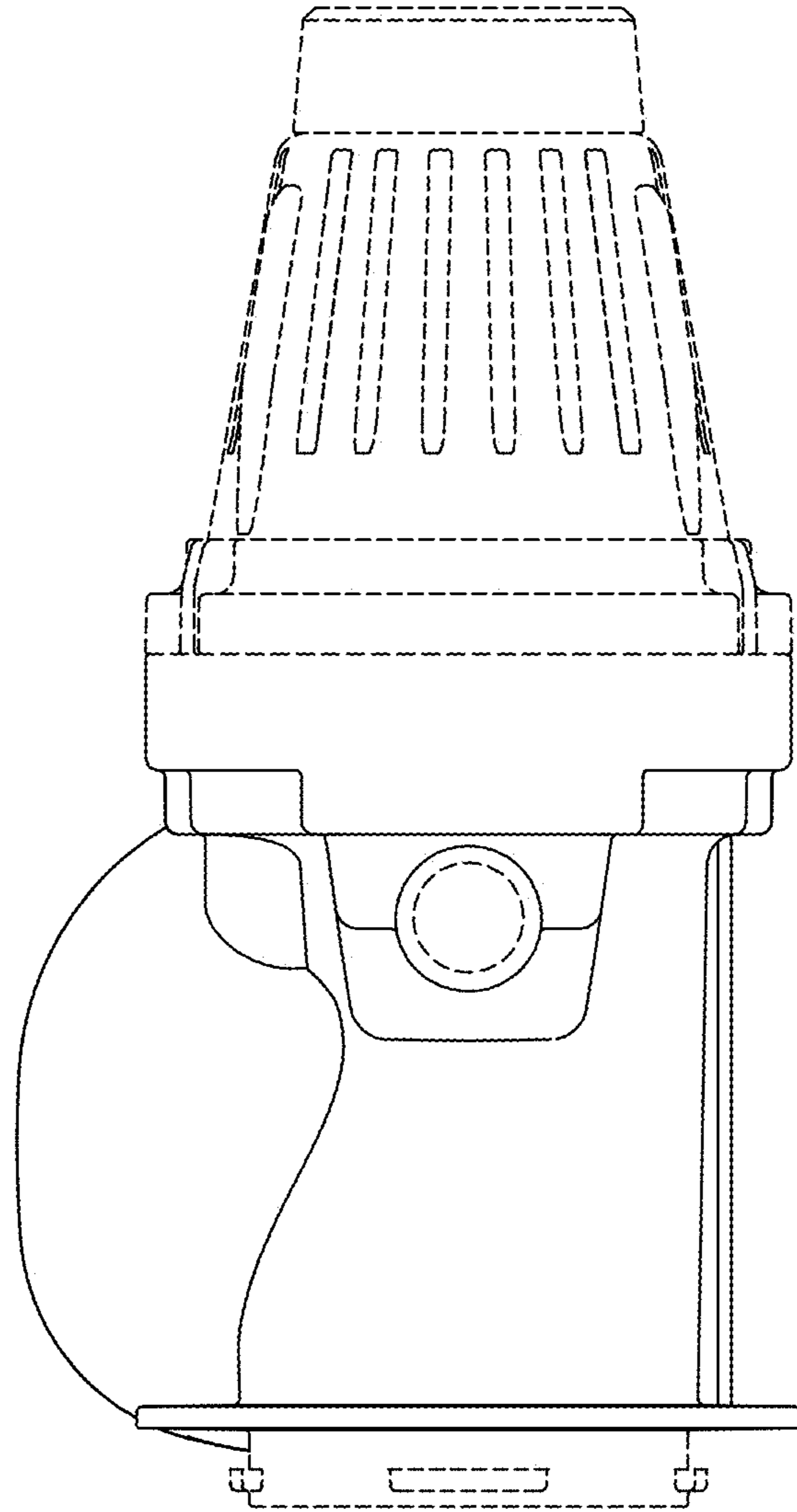


FIG. 1.7