



US00D970981S

(12) **United States Design Patent**
Zhang

(10) **Patent No.:** **US D970,981 S**

(45) **Date of Patent:** **** Nov. 29, 2022**

(54) **SPOON HOLDER**

(71) Applicant: **Siduo Zhang**, Guangdong (CN)

(72) Inventor: **Siduo Zhang**, Guangdong (CN)

(73) Assignee: **GUANGZHOU BAOMEI NETWORK TECHNOLOGY CO., LTD.**, Guangzhou (CN)

(**) Term: **15 Years**

(21) Appl. No.: **29/778,371**

(22) Filed: **Apr. 13, 2021**

(51) **LOC (13) Cl.** **07-99**

(52) **U.S. Cl.**
USPC **D7/637**

(58) **Field of Classification Search**
USPC D3/304, 306, 316; D6/566, 567, 573, D6/574; D7/631, 637-641; D19/75, 81, D19/83-86, 90, 92
CPC A47B 88/00; A47G 21/14; A47G 21/16; A47G 21/184; A47G 23/06; A47G 29/087; A47J 45/02; A47J 47/16; B65D 1/34; B65D 1/36
See application file for complete search history.

(56) **References Cited**

U.S. PATENT DOCUMENTS

D255,006 S * 5/1980 Pallotta, Jr. D7/637
D418,024 S * 12/1999 Howell D7/637

D470,728 S 2/2003 Taylor
D500,232 S 12/2004 Seller et al.
D537,683 S * 3/2007 Tucker D7/637
D612,216 S * 3/2010 McQuary D7/637
D689,744 S * 9/2013 Tarantino D7/637
D723,875 S * 3/2015 Elattrache D7/637
D740,619 S * 10/2015 Elliott D7/637
D839,688 S 2/2019 Dittrich et al.
D904,832 S * 12/2020 Medeiros Santos D7/637

* cited by examiner

Primary Examiner — Janice Patyk

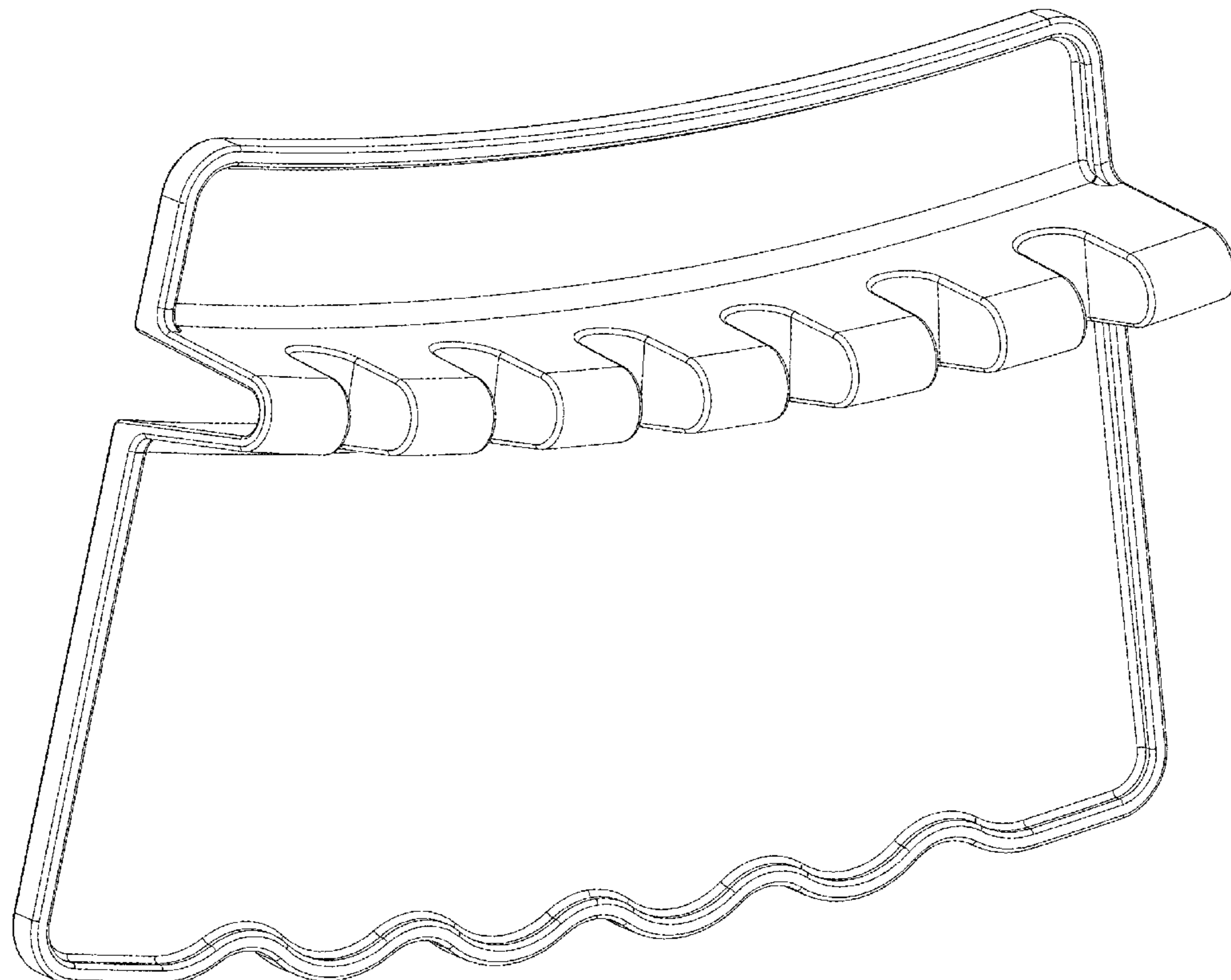
(57) **CLAIM**

The ornamental design for a spoon holder, as shown and described.

DESCRIPTION

FIG. 1 is a top, front, left side perspective view of a spoon holder showing my new design;
FIG. 2 is a bottom, rear, right side perspective view thereof;
FIG. 3 is a front elevation view thereof;
FIG. 4 is a rear elevation view thereof;
FIG. 5 is a left side elevation view thereof;
FIG. 6 is a right side elevation view thereof;
FIG. 7 is a top plan view thereof; and,
FIG. 8 is a bottom plan view thereof.

1 Claim, 8 Drawing Sheets



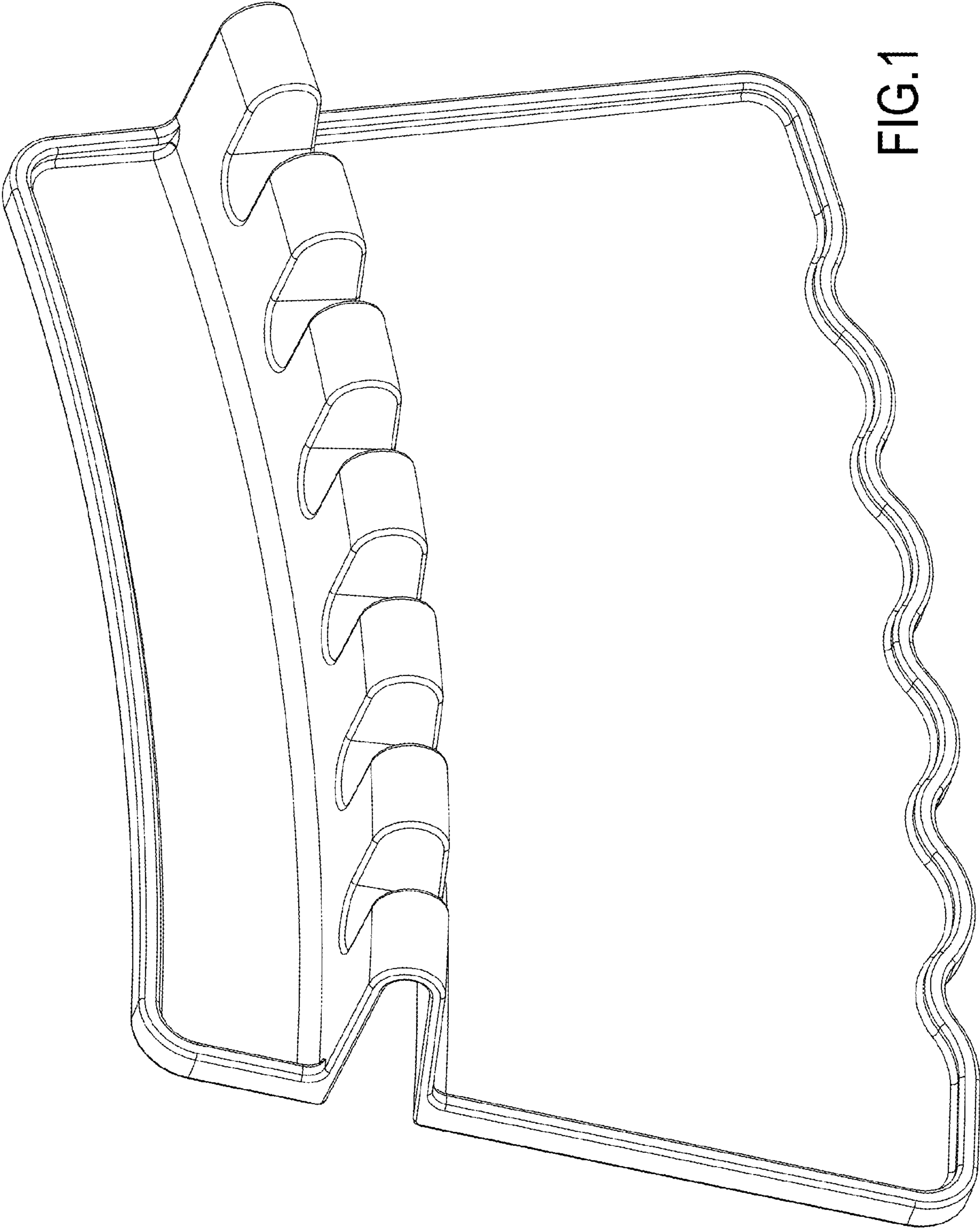


FIG.1

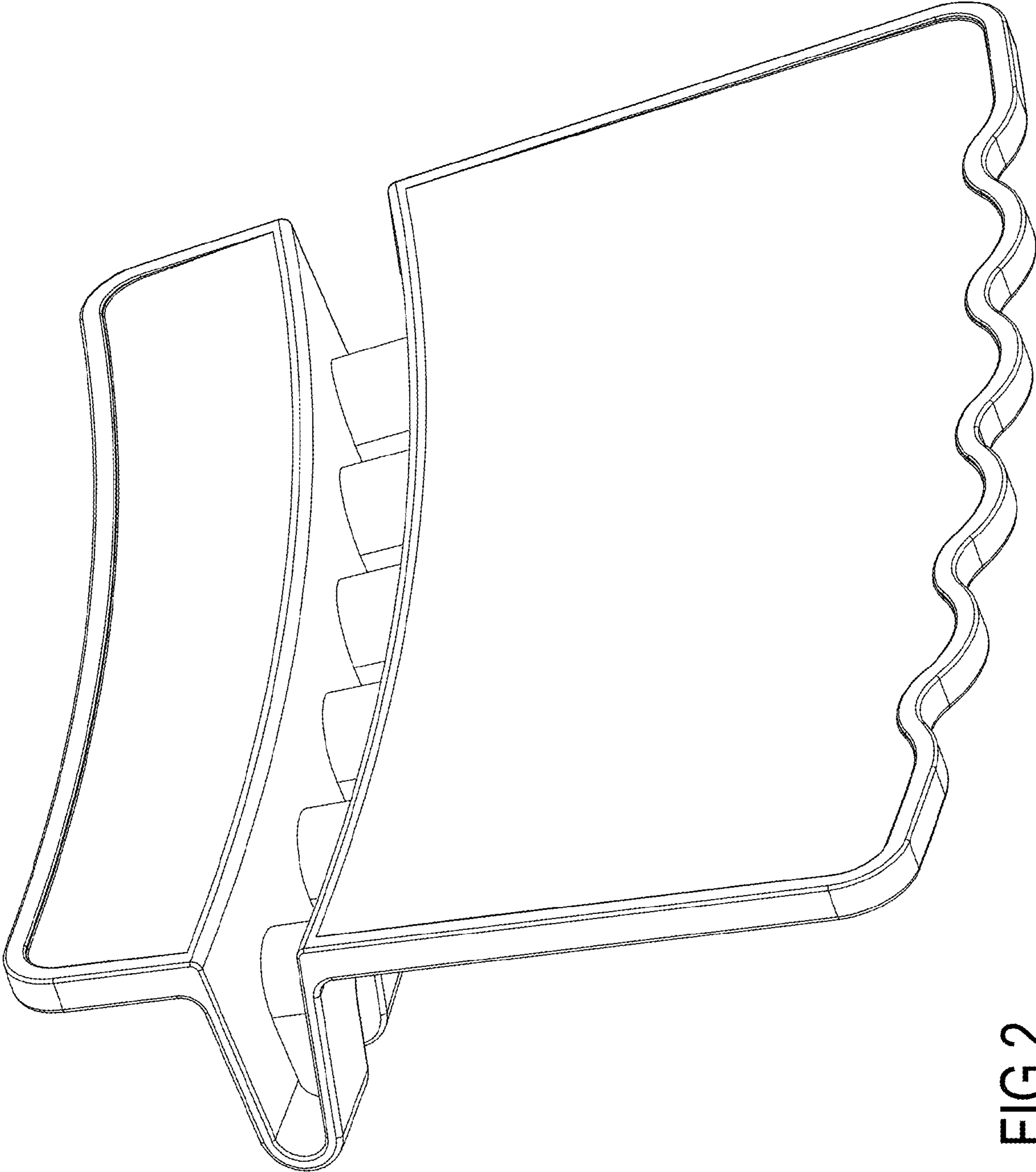


FIG.2

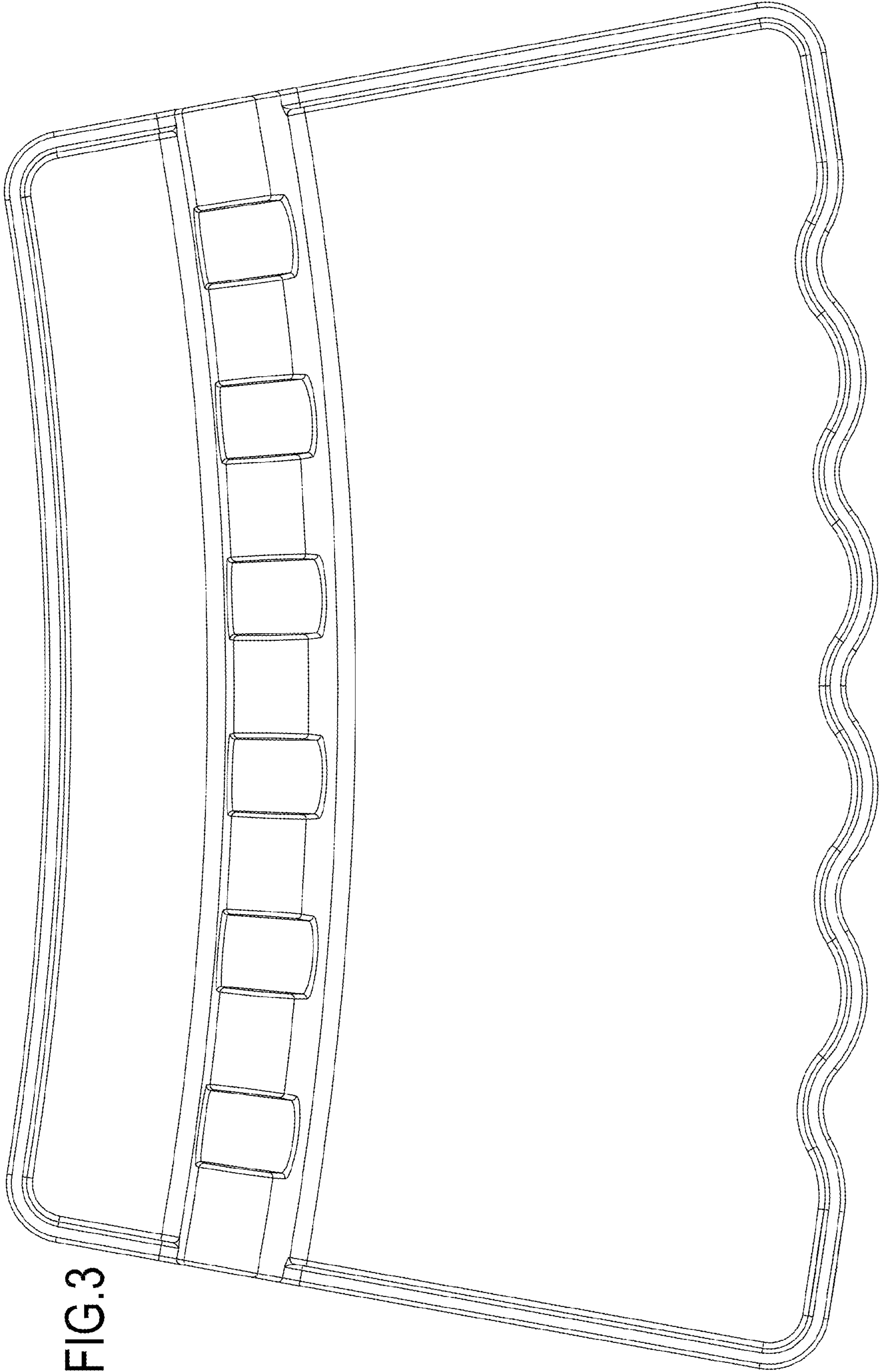


FIG.3

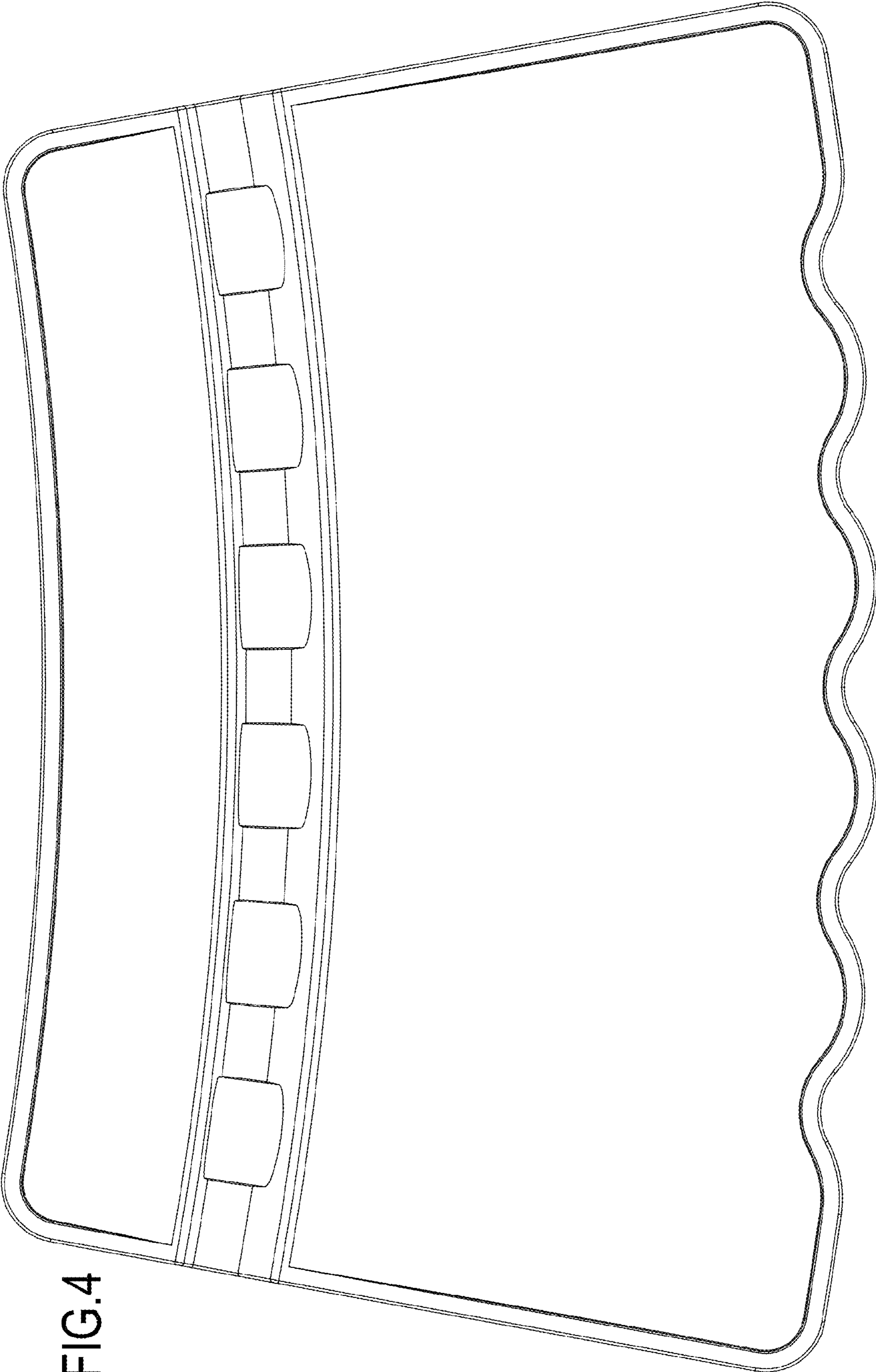


FIG.4

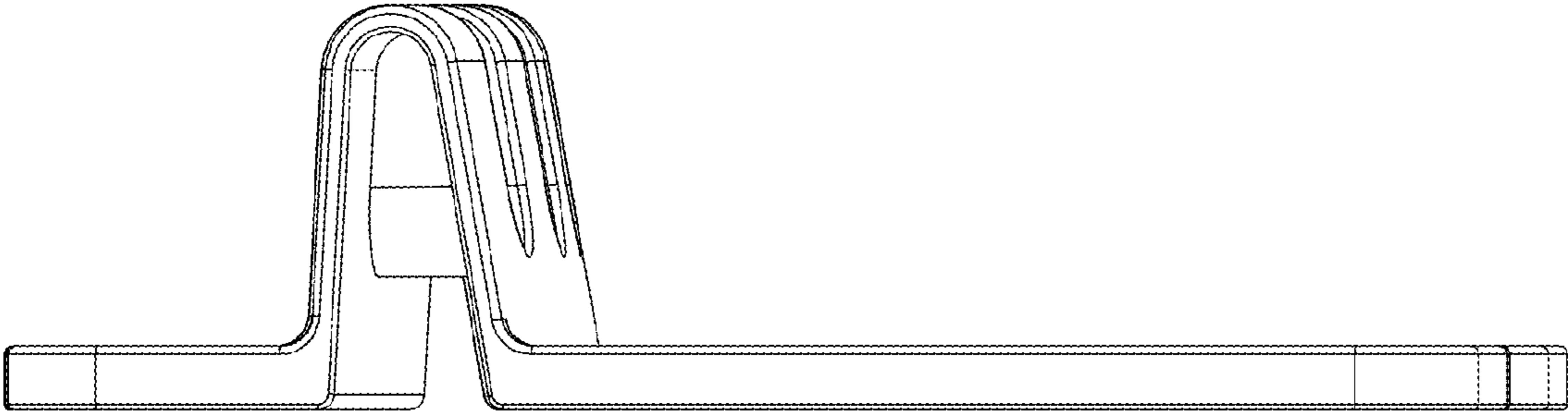


FIG.5

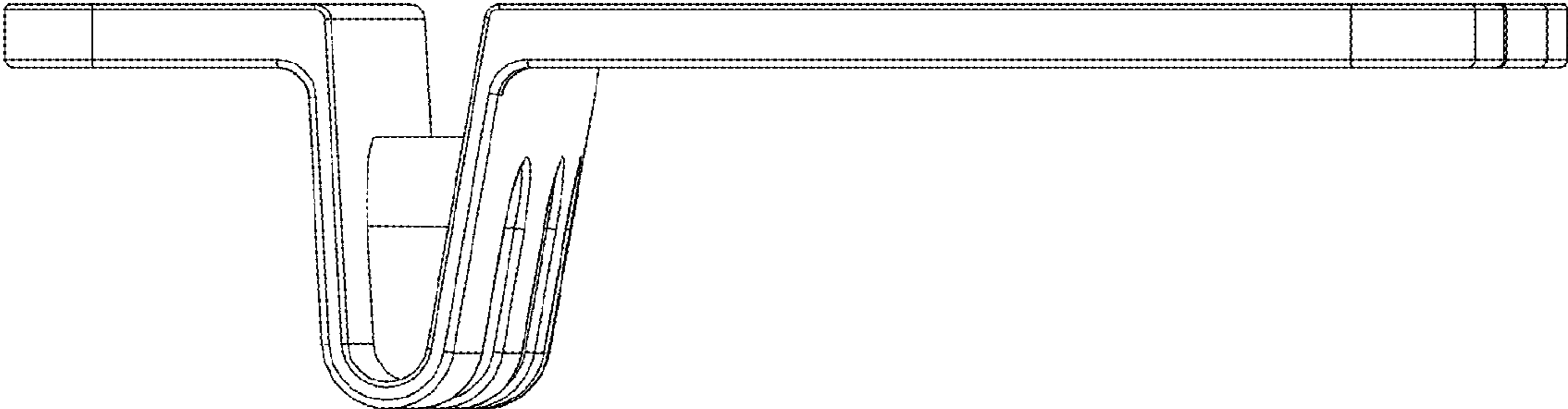


FIG.6

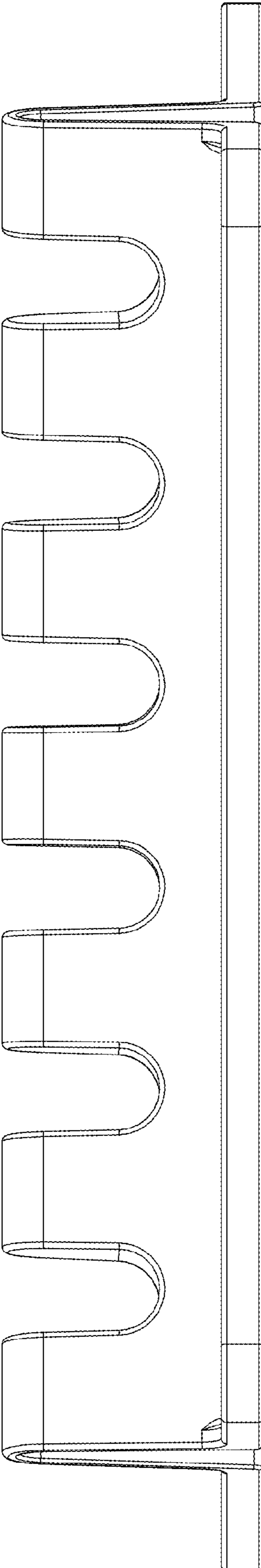


FIG.7

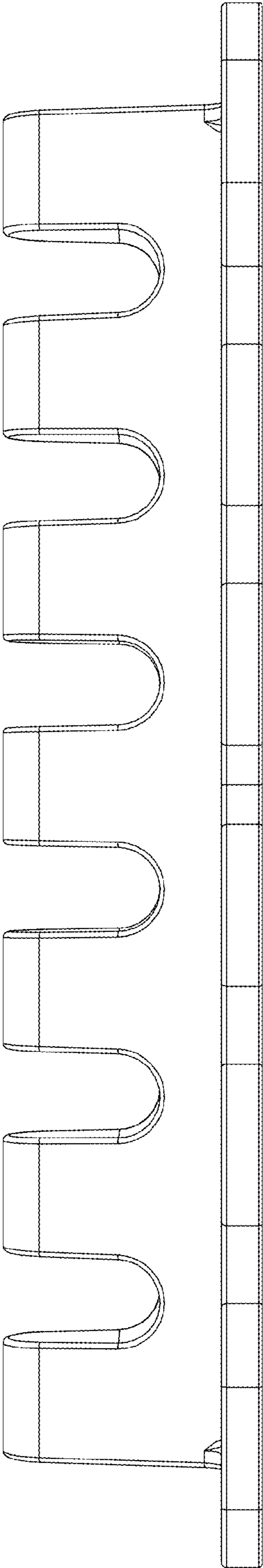


FIG.8