



US00D970978S

(12) **United States Design Patent** (10) **Patent No.:** **US D970,978 S**
Shao (45) **Date of Patent:** **** Nov. 29, 2022**

(54) **FOOD CUP HOLDER**

(71) Applicant: **Lianshu Shao**, Jizhou (CN)

(72) Inventor: **Lianshu Shao**, Jizhou (CN)

(**) Term: **15 Years**

(21) Appl. No.: **29/840,076**

(22) Filed: **May 25, 2022**

(51) **LOC (13) Cl.** **07-09**

(52) **U.S. Cl.**
USPC **D7/602**

(58) **Field of Classification Search**
USPC D7/601, 602, 603, 612; D9/414, 424,
D9/430, 432; D11/143; D12/415, 419,
D12/420, 425, 426
CPC ... B65D 1/00; B65D 1/26; B65D 67/02; A47J
47/16; A47J 47/20; B60N 3/10; B44D
3/12; B44D 3/14

See application file for complete search history.

(56) **References Cited**

U.S. PATENT DOCUMENTS

D279,532 S *	7/1985	Pozzi	D7/545
D311,662 S *	10/1990	Lorenzana	D7/505
D317,982 S *	7/1991	Morales	D12/420
D368,627 S *	4/1996	McSpadden	D7/553.6
D386,042 S *	11/1997	Miller	D7/602
D479,994 S *	9/2003	Cendejas	D9/432
D566,634 S	4/2008	Delbridge		
D644,884 S *	9/2011	Samartgis	D7/630
D691,426 S *	10/2013	Brown	D7/667
9,555,929 B2 *	1/2017	Ciarrocchi, Jr.	B65D 25/20
D805,897 S *	12/2017	Schärer	D7/602
D837,610 S *	1/2019	Maguire	D7/601
D845,662 S	4/2019	Ghiorghie		

D872,598 S *	1/2020	Grove	D9/761
D963,420 S *	9/2022	Lee	D7/602
2012/0285879 A1 *	11/2012	Housley	A47J 47/20 210/473
2019/0202607 A1 *	7/2019	Lee	B65D 1/10

OTHER PUBLICATIONS

Rectangular Mod Pan | posted at Amazon.com, no posting date, © 1996-2022 Amazon.com, [online], [site visited Sep. 29, 2022]. Available from Internet, <URL: <https://www.hubert.com/product/76482/Expressly-Hubert--Soft-Touch-Rectangular-Black-Stainless-Steel-Mod-Pan---9-3-4-L-x-4-7-8-W-x->> (Year: 2022).*

* cited by examiner

Primary Examiner — Andrew Kerr

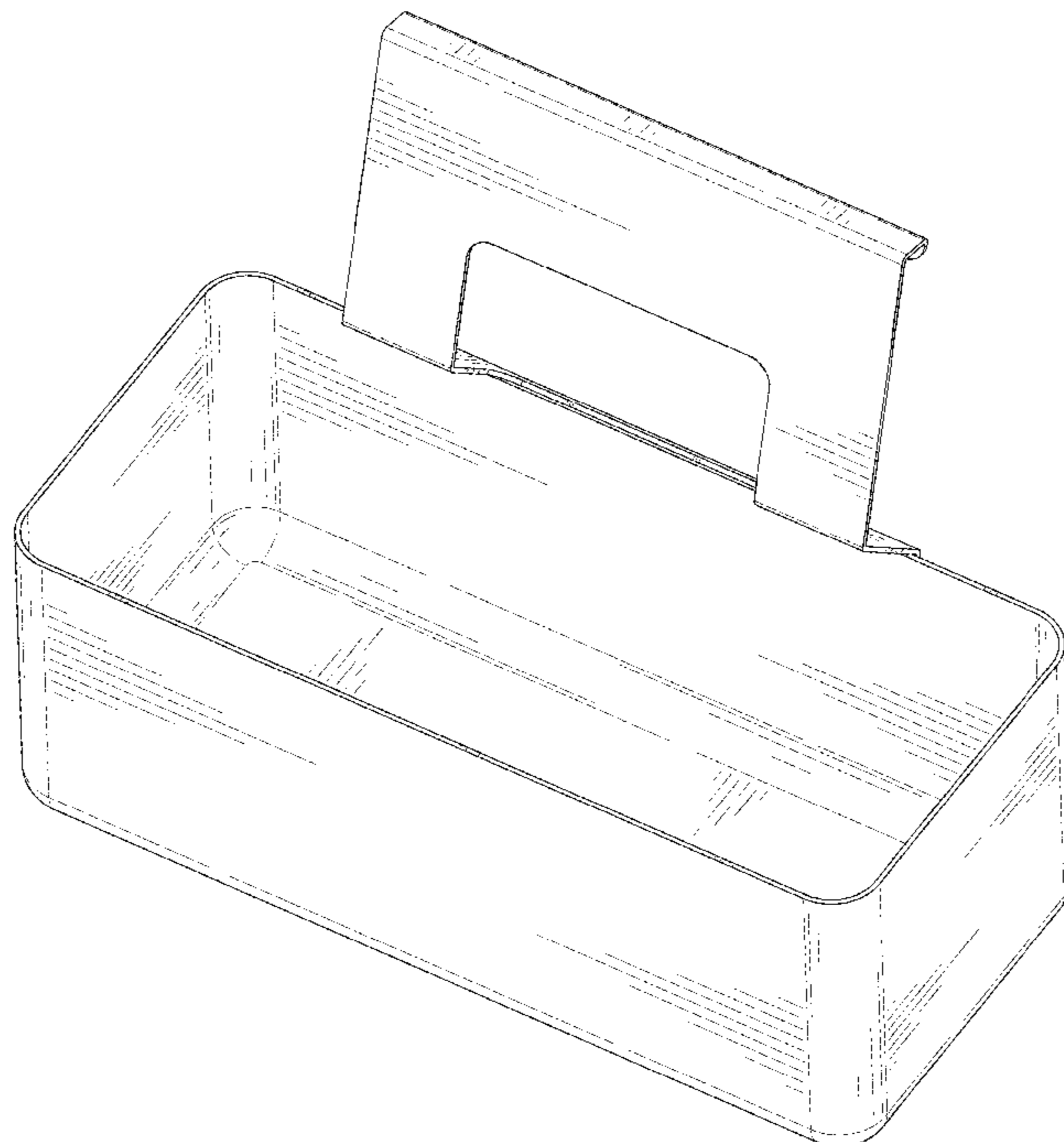
(57) **CLAIM**

The ornamental design for a food cup holder, as shown and described.

DESCRIPTION

FIG. 1 is a front, right and top perspective view of a food cup holder showing my new design;
FIG. 2 is a rear, left and bottom perspective view thereof;
FIG. 3 is a front elevation view thereof;
FIG. 4 is a rear elevation view thereof;
FIG. 5 is a left side elevation view thereof;
FIG. 6 is a right side elevation view thereof;
FIG. 7 is a top plan view thereof; and,
FIG. 8 is a bottom plan view thereof.
The broken lines in the figures illustrate portions of the food cup holder that form no part of the claimed design.

1 Claim, 8 Drawing Sheets



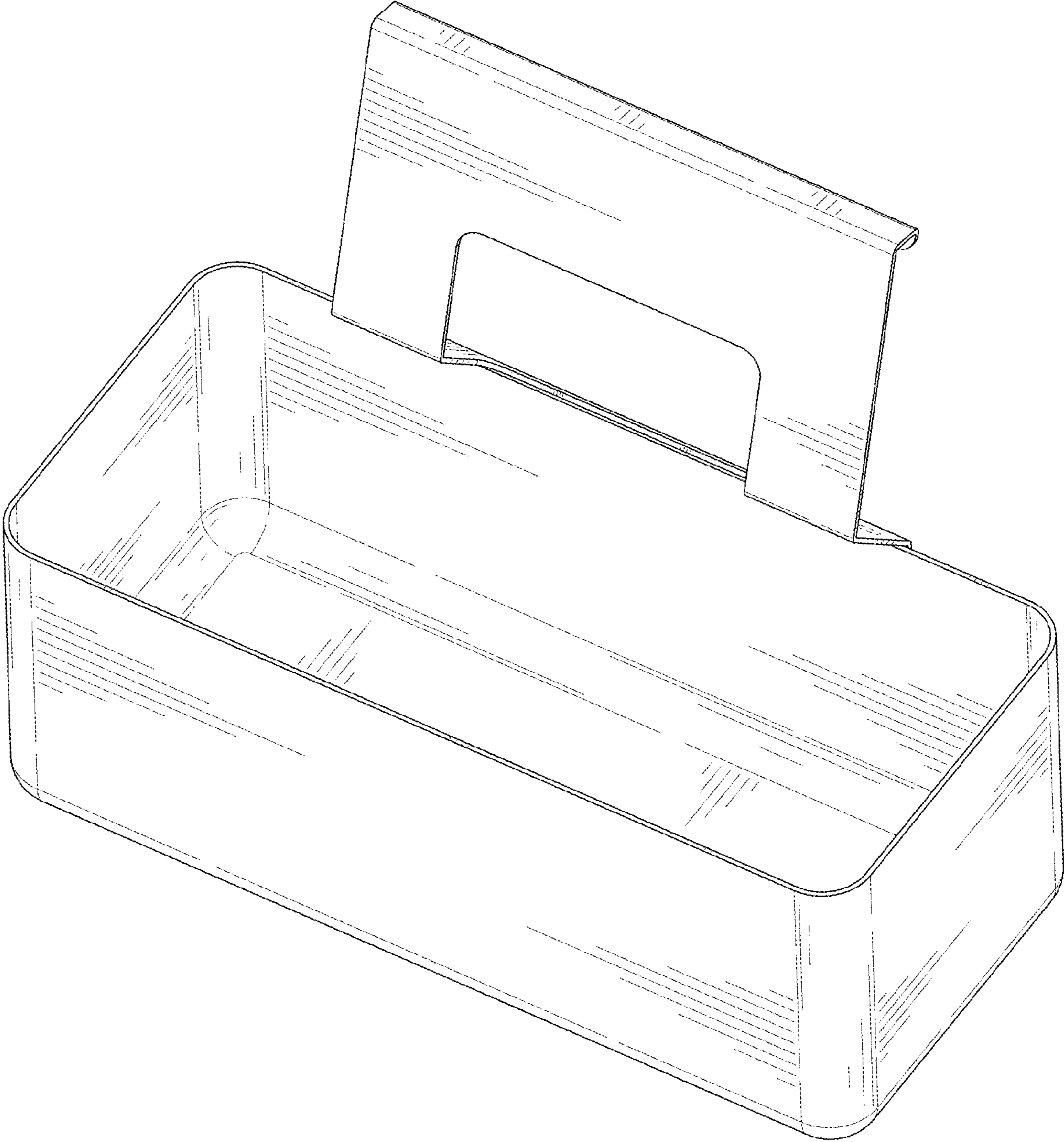


FIG. 1

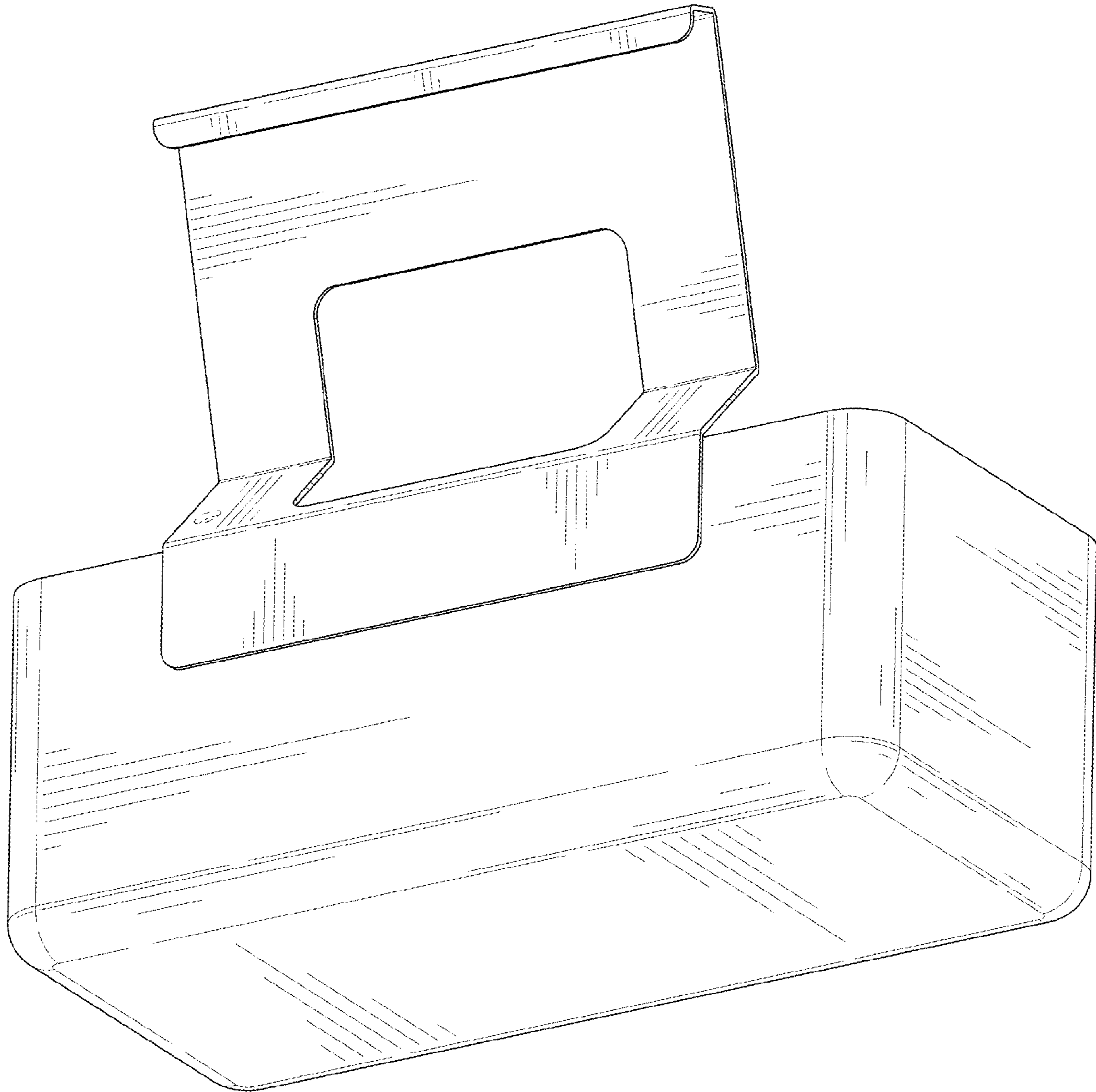


FIG. 2

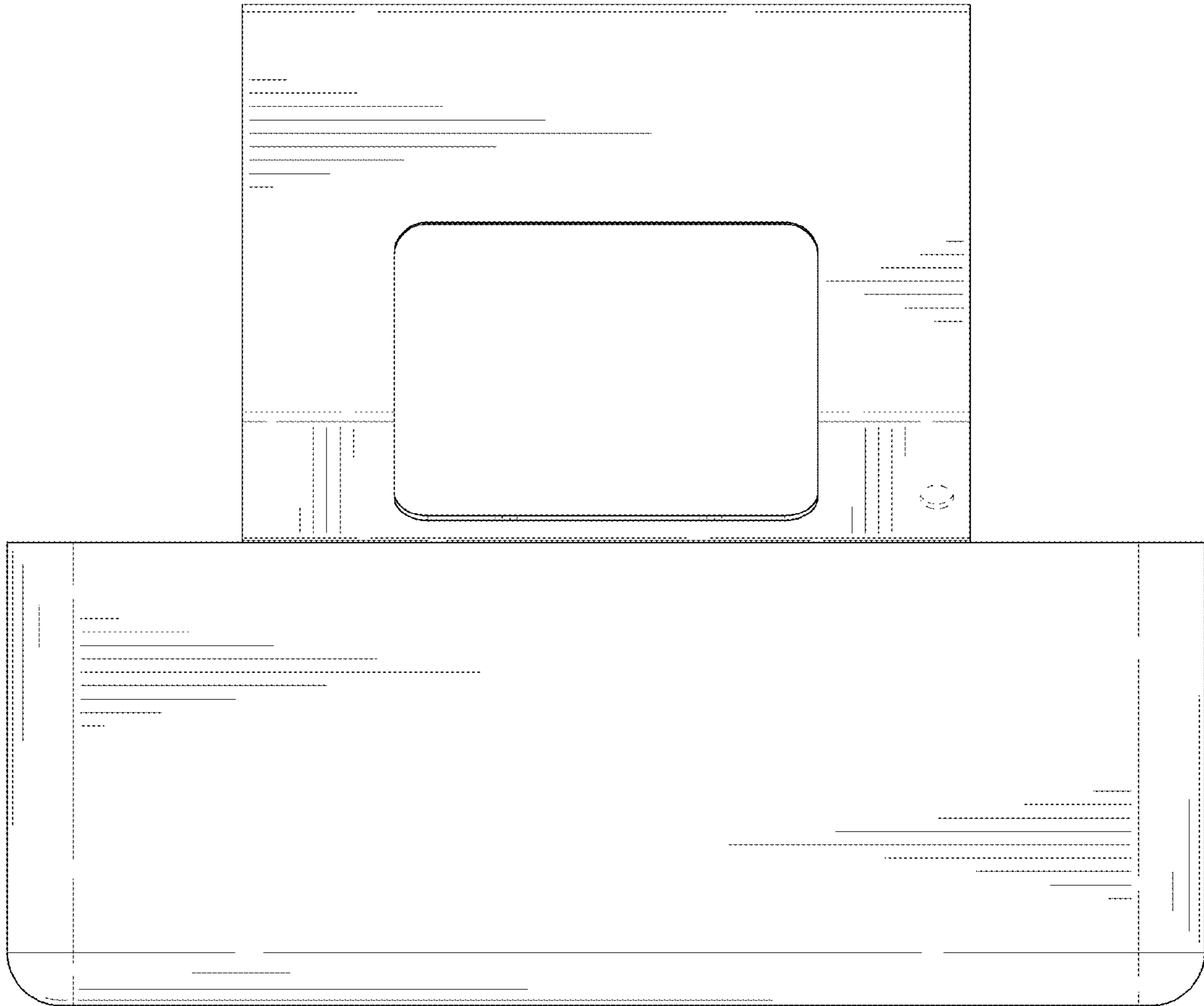


FIG. 3

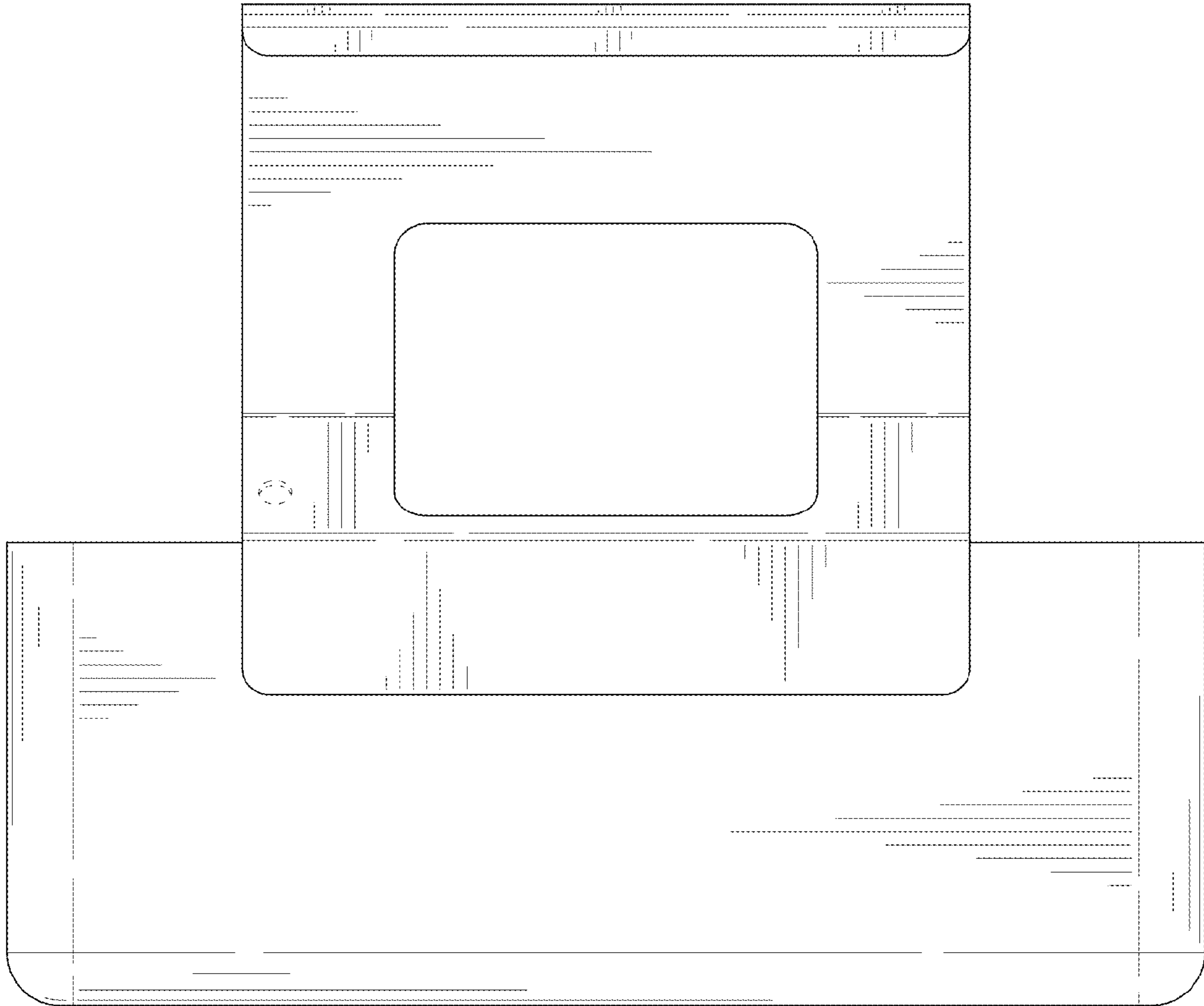


FIG. 4

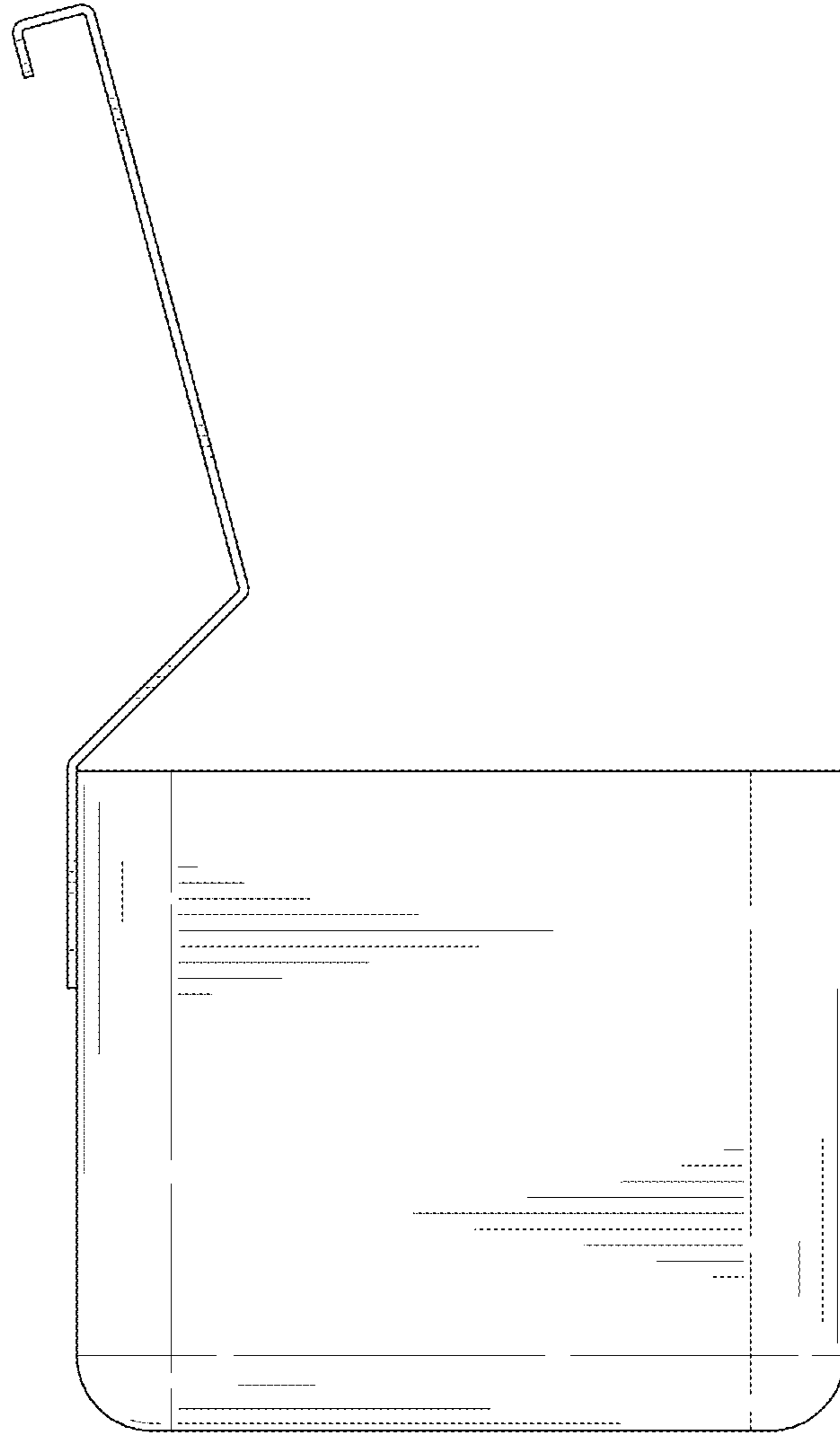


FIG. 5

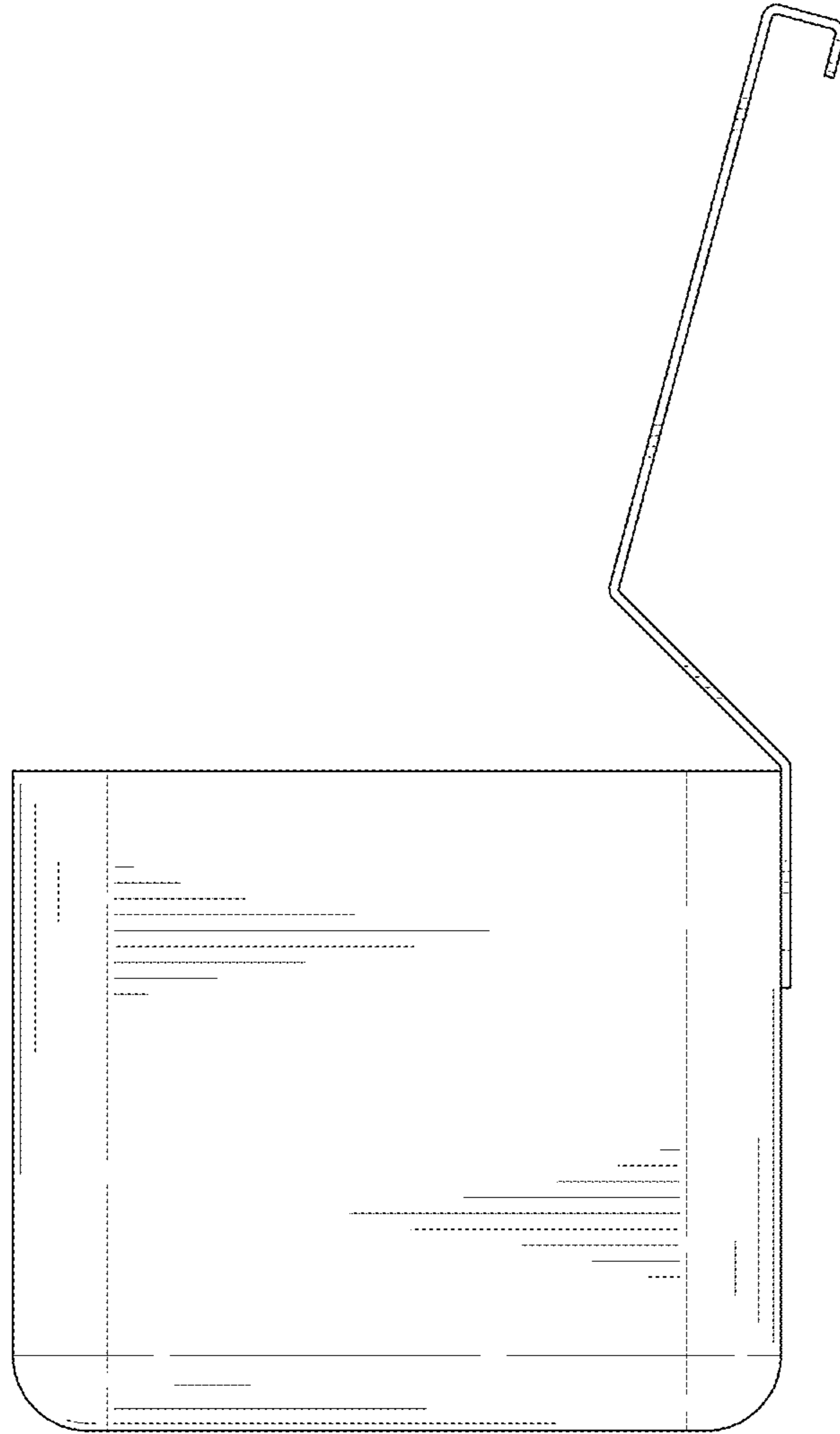


FIG. 6

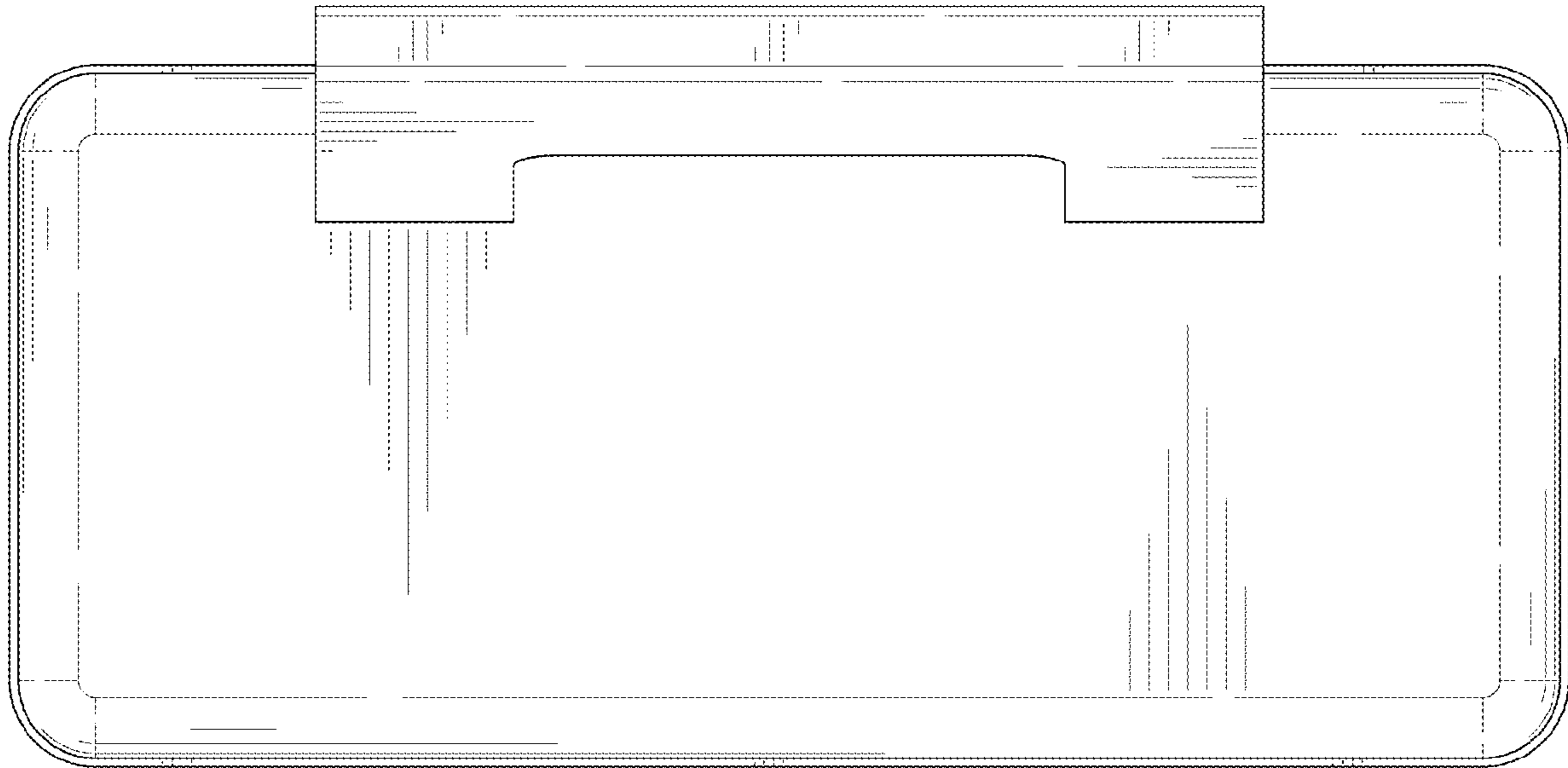


FIG. 7

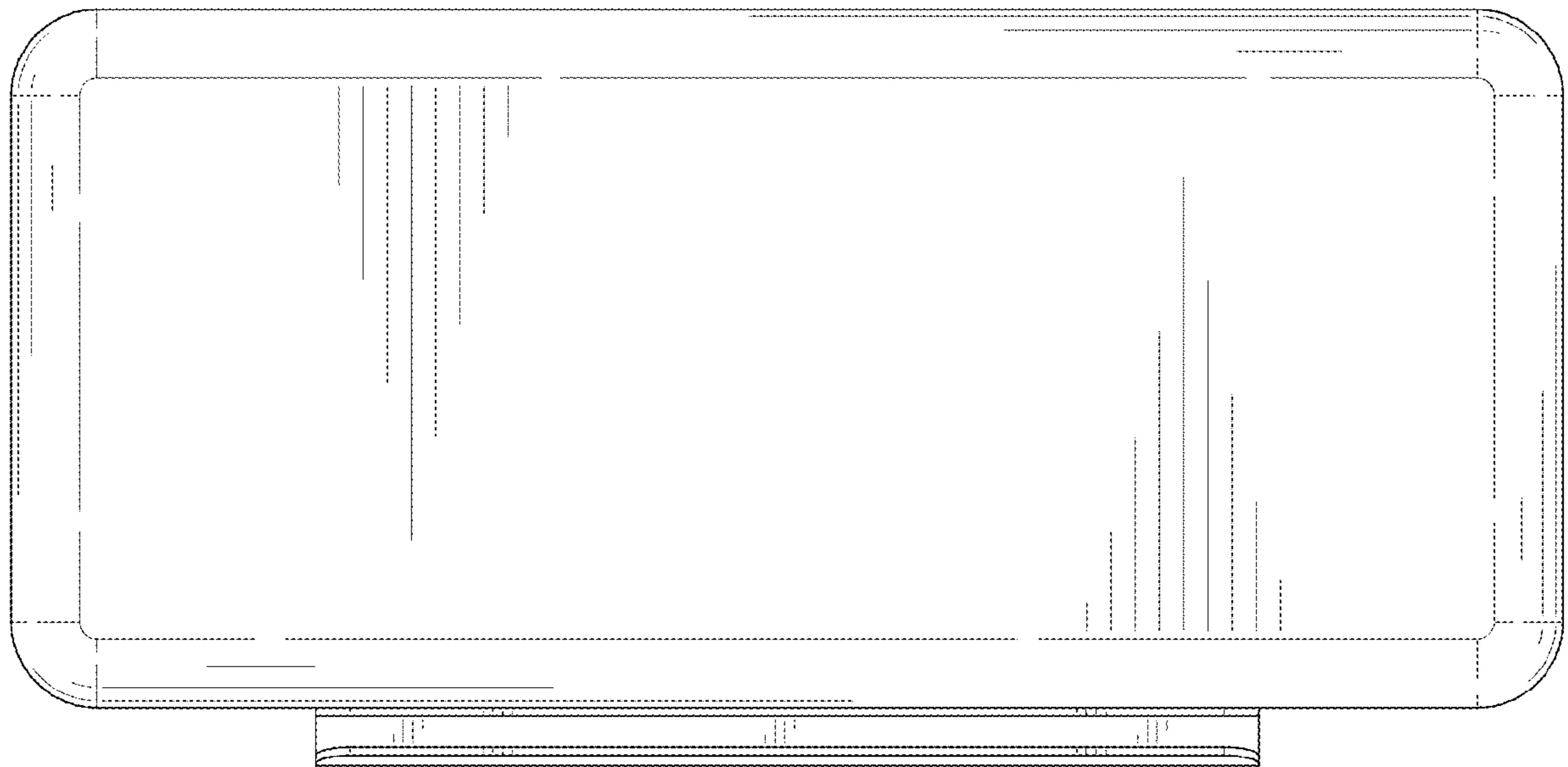


FIG. 8