



US00D970977S

(12) **United States Design Patent**
Glupker

(10) **Patent No.:** **US D970,977 S**

(45) **Date of Patent:** **** Nov. 29, 2022**

(54) **CONTAINER**

D372,170 S * 7/1996 Ahern, Jr. D7/543
5,624,051 A * 4/1997 Ahern, Jr. B65D 1/36
220/553

(71) Applicant: **BRADSHAW HOME**, Rancho Cucamonga, CA (US)

D395,985 S 7/1998 Krupa et al.
(Continued)

(72) Inventor: **Chris Glupker**, North Hills, CA (US)

FOREIGN PATENT DOCUMENTS

(73) Assignee: **BRADSHAW HOME**, Rancho Cucamonga, CA (US)

CN 301829671 * 2/2012
KR 301039430.0000 * 1/2020

(**) Term: **15 Years**

OTHER PUBLICATIONS

(21) Appl. No.: **29/731,828**

2 Compartment Glass Meal Prep Food Storage Container, Fit Strong and Healthy, fit-strong-healthy.com, author unlisted, published on Dec. 4, 2020 per wayback machine © 2021 Fit Strong and Healthy, online, site visited Sep. 22, 2021. Available from Internet, URL: <https://fit-strong-healthy.com/collections/glass-containers/products/1-2-3-compartment-glass-meal-prep-food-storage-containers-with-lids-3-35-oz> (Year: 2020).*

(22) Filed: **Apr. 17, 2020**

(51) **LOC (13) Cl.** **07-07**

(52) **U.S. Cl.**
USPC **D7/602**

(58) **Field of Classification Search**
USPC D7/294, 319, 368, 392.1, 420, 548-549, D7/555, 601-603, 605, 629-630, 637, D7/708.1; D9/414-416, 424-425, D9/430-432, 759-761; D3/309
CPC B65D 81/24; B65D 1/18; B65D 2581/34; B65D 2581/00; B65D 1/36
See application file for complete search history.

(Continued)

Primary Examiner — Holly E Thurman
Assistant Examiner — Altaira J Swangin
(74) *Attorney, Agent, or Firm* — Birch, Stewart, Kolasch & Birch, LLP

(57) **CLAIM**

The ornamental design for a container, as shown and described.

(56) **References Cited**

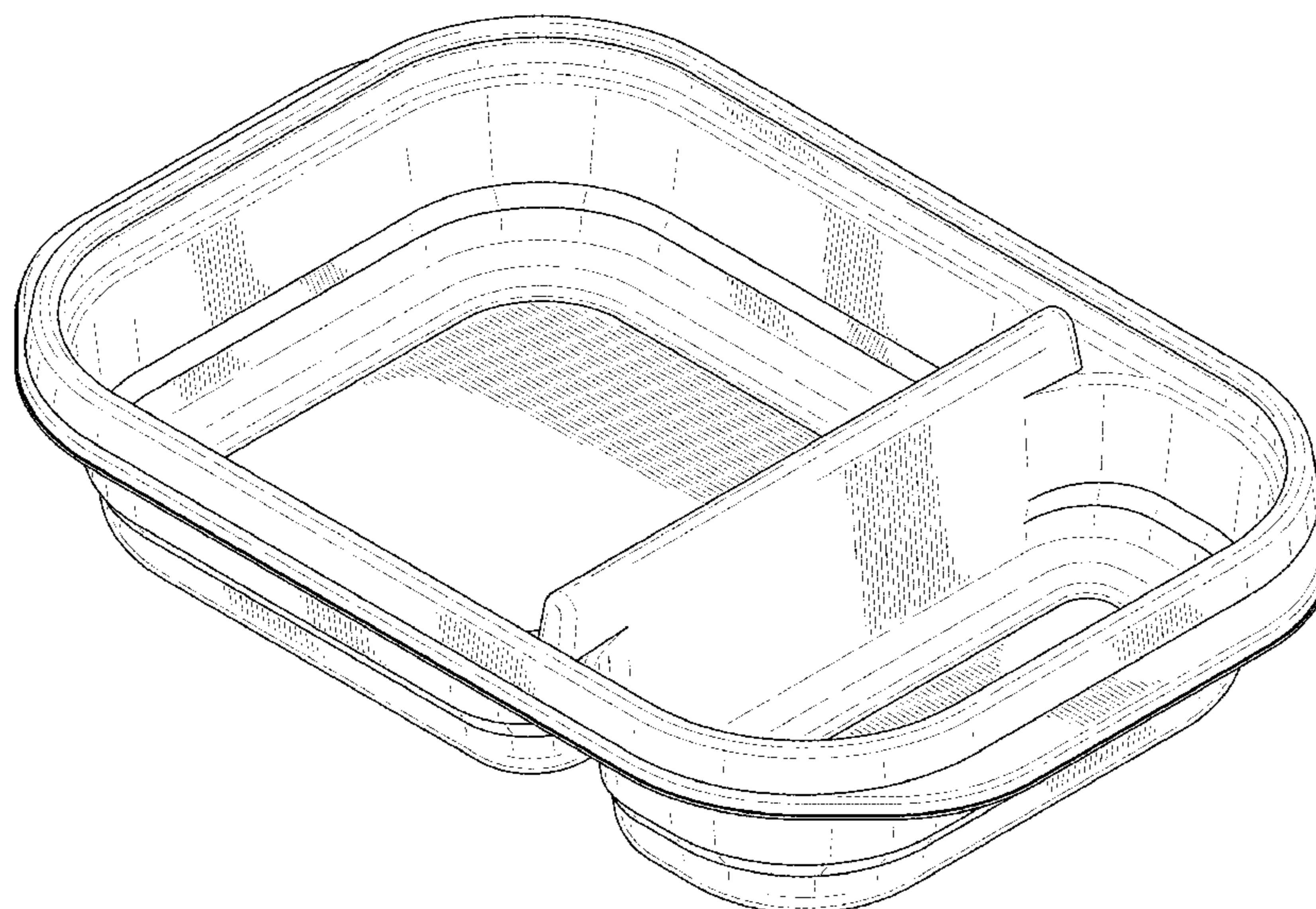
DESCRIPTION

U.S. PATENT DOCUMENTS

D194,054 S 11/1962 Grossman
3,107,027 A 10/1963 Hong
D232,302 S * 8/1974 Lazure D9/761
D235,498 S * 6/1975 Day D7/553.3
4,081,646 A 3/1978 Goltsoz
D257,109 S * 9/1980 Conti D7/553.3
4,574,174 A 3/1986 McGonigle
D297,119 S * 8/1988 Fontana D9/737
D305,409 S 1/1990 Michaud et al.
D339,030 S 9/1993 Bitel, Sr.
5,419,451 A 5/1995 Bitel, Jr.
D371,940 S * 7/1996 Krupa D30/130

FIG. 1 is a top, front, right perspective view of a container showing my new design;
FIG. 2 is a front view thereof;
FIG. 3 is a rear view thereof;
FIG. 4 is a left side view thereof;
FIG. 5 is a right side view thereof;
FIG. 6 is a top plan view thereof; and,
FIG. 7 is a bottom plan view thereof.
The broken lines shown in the Figures depict portions of the container that form no part of the claimed design.

1 Claim, 7 Drawing Sheets



(56)

References Cited

U.S. PATENT DOCUMENTS

D415,422 S 10/1999 McCann
 D442,484 S 5/2001 Maxwell et al.
 D451,769 S 12/2001 Stanos et al.
 6,467,647 B1 10/2002 Tucker et al.
 6,471,084 B2 10/2002 Erb
 D484,364 S * 12/2003 Bailey D7/357
 D489,579 S 5/2004 Wright
 D494,857 S 8/2004 Chen et al.
 6,910,599 B2 6/2005 Tucker et al.
 D515,880 S * 2/2006 Lerner D7/629
 7,097,066 B2 8/2006 Tucker et al.
 D530,625 S * 10/2006 Darin D9/761
 D539,666 S 4/2007 Chou
 7,261,219 B2 8/2007 Tucker et al.
 D552,487 S 10/2007 Chou
 D586,623 S * 2/2009 Dunn D7/541
 D596,499 S 7/2009 Willis et al.
 D599,611 S * 9/2009 Hoekstra D7/354
 D606,812 S 12/2009 Wu
 D608,153 S * 1/2010 Furlong D7/602
 7,726,483 B2 6/2010 Ramanujam et al.
 D633,341 S * 3/2011 Smyers D7/555
 D643,251 S 8/2011 Stamper et al.
 D645,707 S 9/2011 Stamper et al.
 D645,708 S * 9/2011 Stamper D7/602
 D649,838 S * 12/2011 Stamper D7/602
 D649,839 S 12/2011 Stamper et al.
 D653,913 S 2/2012 Stamper et al.
 D659,479 S 5/2012 Peck
 D660,087 S 5/2012 Ewen et al.
 D665,674 S 8/2012 Wu
 D665,675 S 8/2012 Wu
 D665,676 S 8/2012 Wu
 D666,058 S 8/2012 Liang et al.
 D669,319 S * 10/2012 Bagley D7/629
 8,317,044 B2 11/2012 Wu et al.
 D672,204 S 12/2012 Stamper et al.
 D672,612 S 12/2012 Stamper et al.
 D672,613 S 12/2012 Stamper et al.
 D672,614 S 12/2012 Stamper et al.
 D672,615 S 12/2012 Stamper et al.
 D672,616 S 12/2012 Stamper et al.
 D673,009 S 12/2012 Stamper et al.
 D688,921 S * 9/2013 Miros D7/629
 D691,038 S 10/2013 Tyberghein
 D691,901 S 10/2013 Epstein
 D695,575 S 12/2013 Katz

D696,910 S 1/2014 Franczyk et al.
 D707,120 S 6/2014 Tyberghein
 D711,220 S 8/2014 Tyberghein
 D744,294 S 12/2015 Linder
 9,215,949 B1 * 12/2015 Cloutier A47J 37/0694
 D755,579 S 5/2016 Wu
 D763,706 S 8/2016 Shum et al.
 D769,113 S 10/2016 Chen
 D778,115 S * 2/2017 Strachan D7/553.1
 D792,211 S * 7/2017 Foster D9/425
 D814,316 S * 4/2018 Overgaag D9/759
 D836,988 S * 1/2019 Dwork D7/553.1
 10,464,732 B2 * 11/2019 Krupa B65D 81/2076
 10,494,143 B2 12/2019 Kuo et al.
 D871,921 S * 1/2020 Troudt D9/737
 D876,903 S * 3/2020 Moore D7/602
 D881,720 S * 4/2020 Quada D9/761
 D900,640 S * 11/2020 Huang D9/761
 D902,668 S * 11/2020 Zemel D7/629
 D905,572 S * 12/2020 Flanagan D9/737
 D909,140 S * 2/2021 Armistead D7/602
 D913,045 S * 3/2021 Samartgis D7/602
 D928,565 S * 8/2021 Glupker D7/602
 D938,274 S * 12/2021 Bontrager D9/425
 2002/0108955 A1 * 8/2002 Erb B65D 77/2024
 220/359.4
 2006/0029695 A1 2/2006 Kaczor
 2006/0201950 A1 9/2006 Liu
 2011/0020772 A1 1/2011 Carter et al.
 2017/0113848 A1 4/2017 Zhen
 2018/0064045 A1 * 3/2018 Overgaag A01G 24/00
 2018/0086500 A1 3/2018 Kuo
 2021/0347552 A1 * 11/2021 Jung B65D 77/225
 2022/0055817 A1 * 2/2022 Blankenhorn B65D 77/20

OTHER PUBLICATIONS

Meal Prep Container, Good Cook, amazon.com, published by Good Cook, first available on Sep. 26, 2018 © 1996-2021 Amazon.com, Inc., online, site visited Sep. 22, 2021. Available from Internet, URL: <https://www.amazon.com/Good-Cook-10784-Compartment-Microwavable/dp/B07HQ8HFZ2> (Year: 2018).*

3.7-Cup Food Container, goodcook, goodcook.com, author and date unlisted © 2021 Bradshaw Home, online, site visited Jun. 23, 2022. Available from Internet, URL: <https://www.goodcook.com/goodcook-everyware-food-container-3-pack-set-divided-rectangle.html> (Year: 2022).*

* cited by examiner

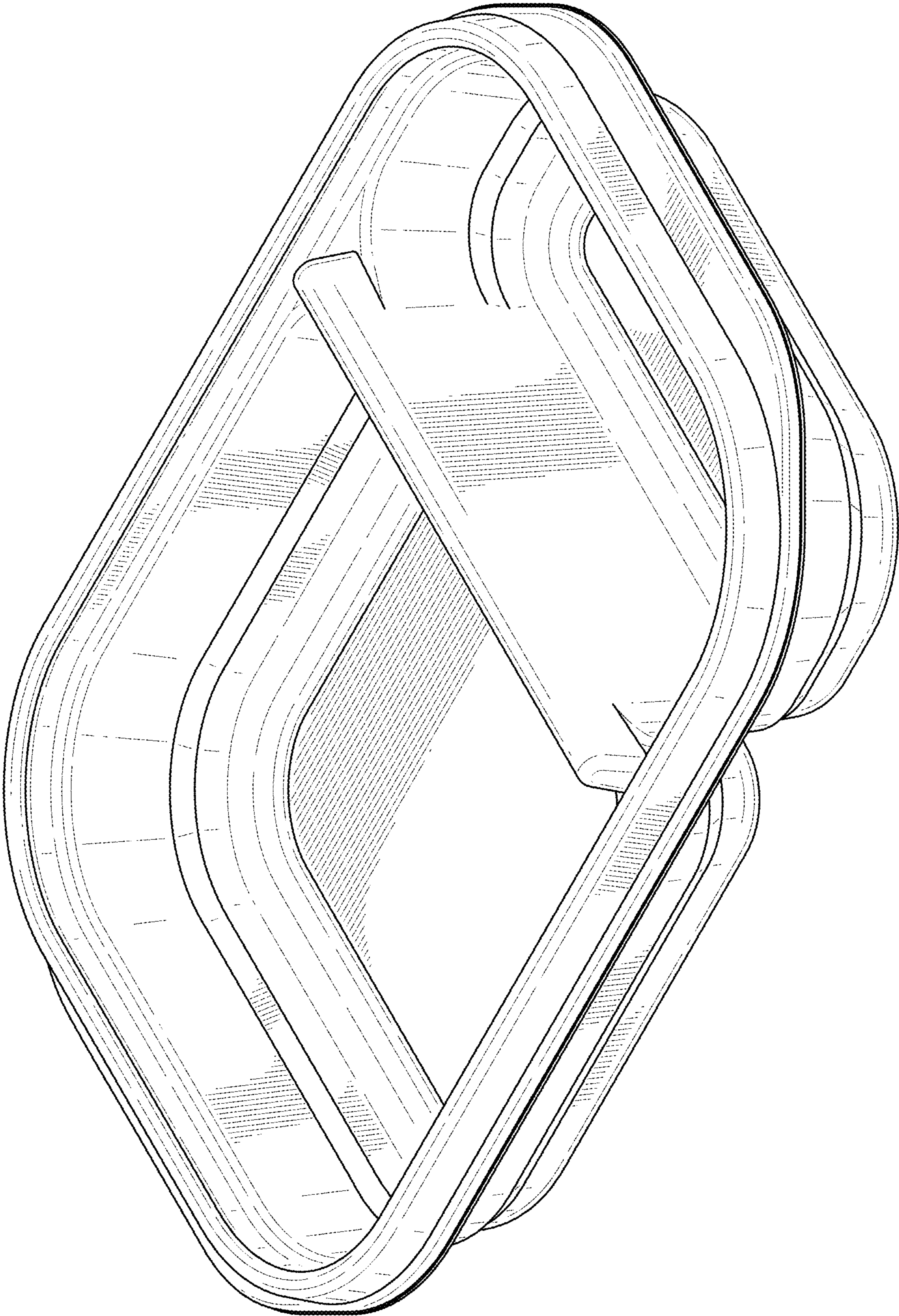


FIG.1

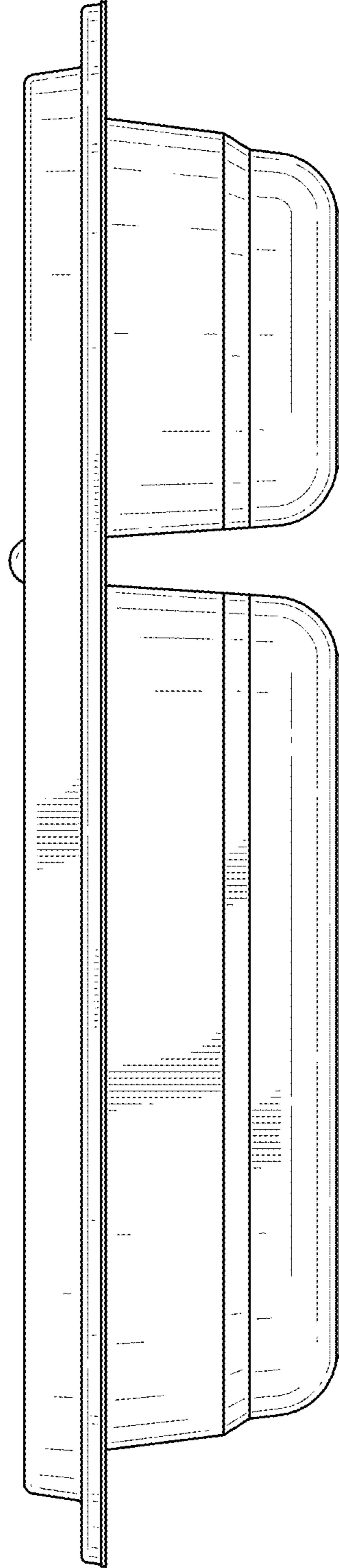


FIG.2

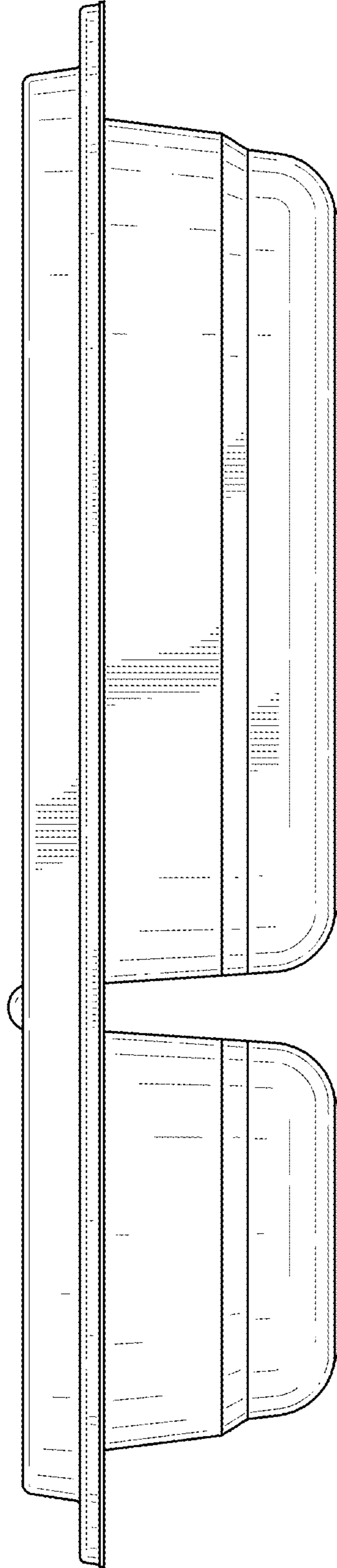


FIG.3

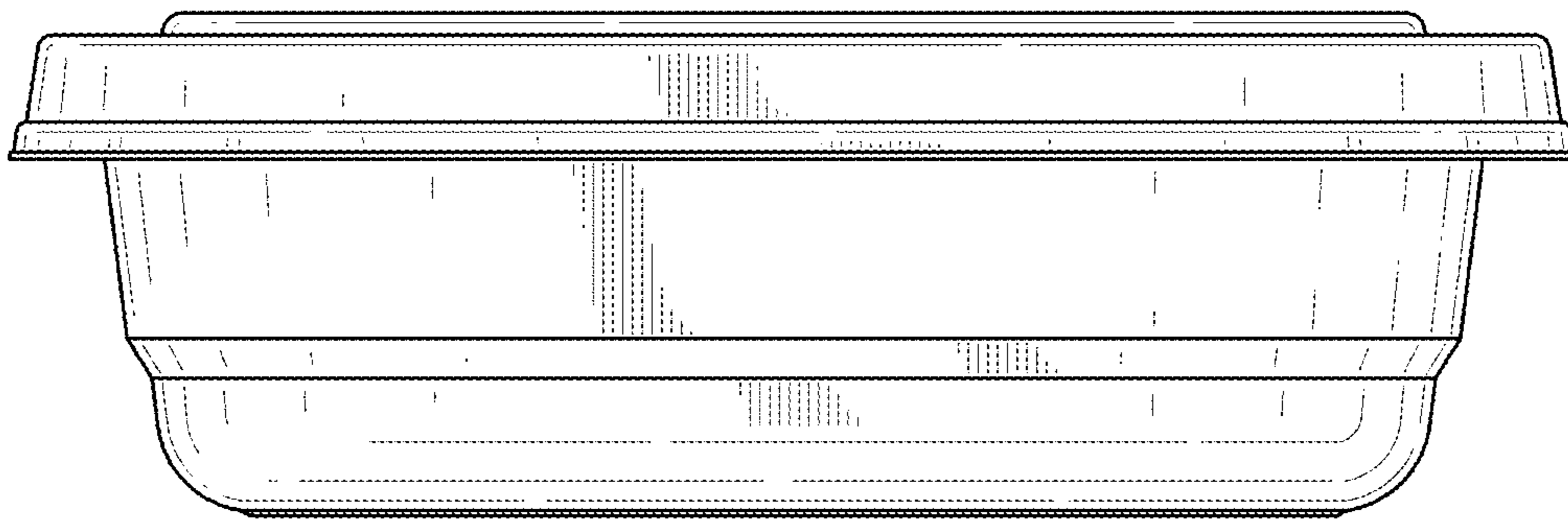


FIG.4

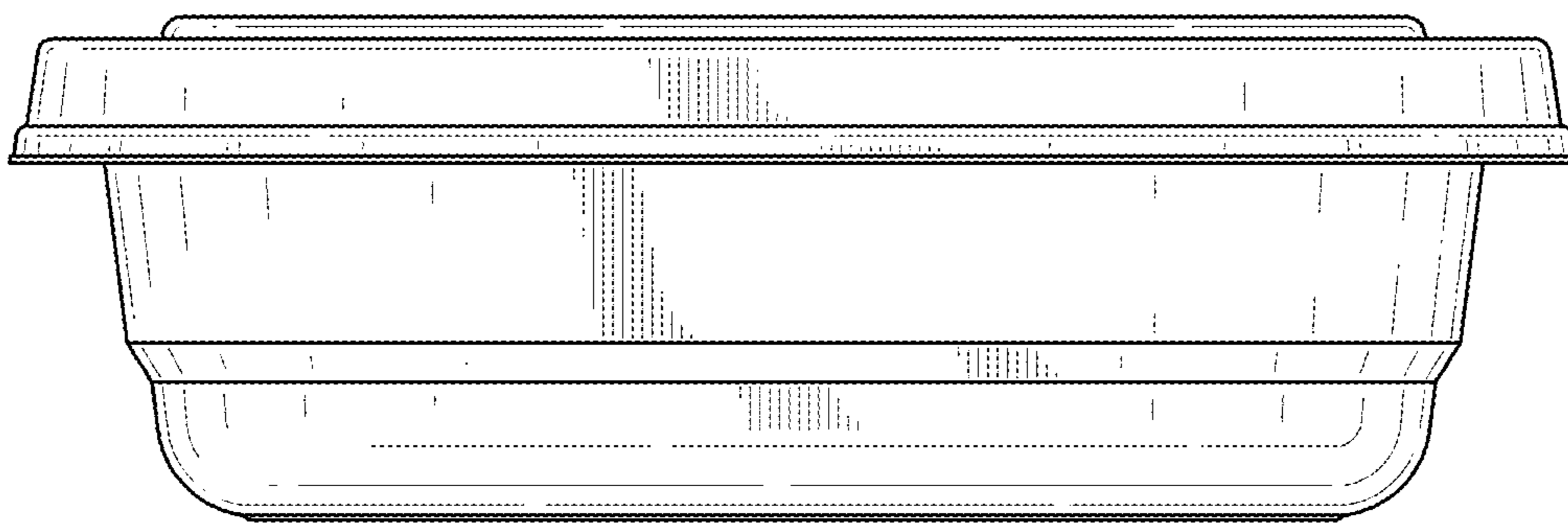


FIG.5

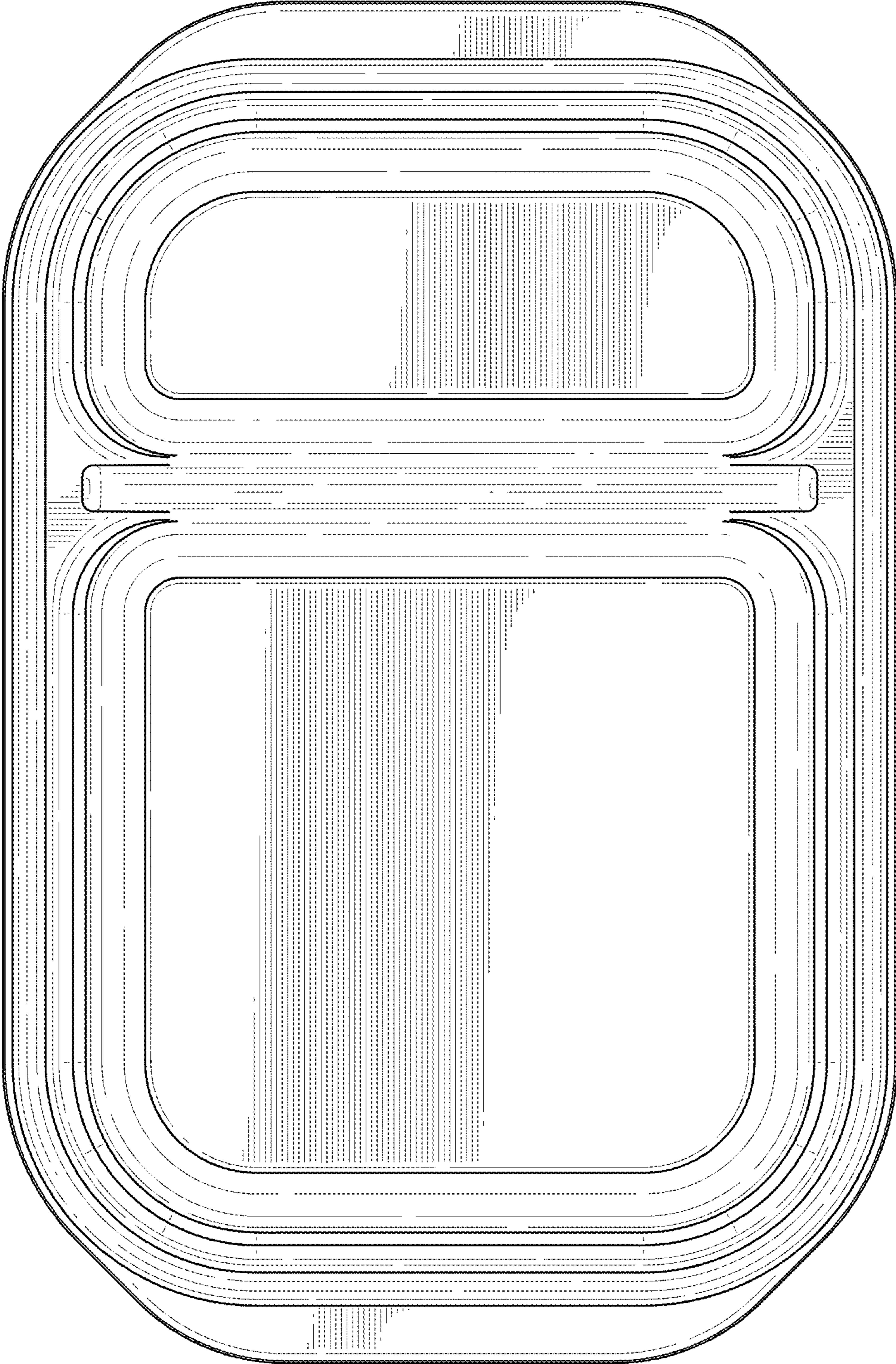


FIG.6

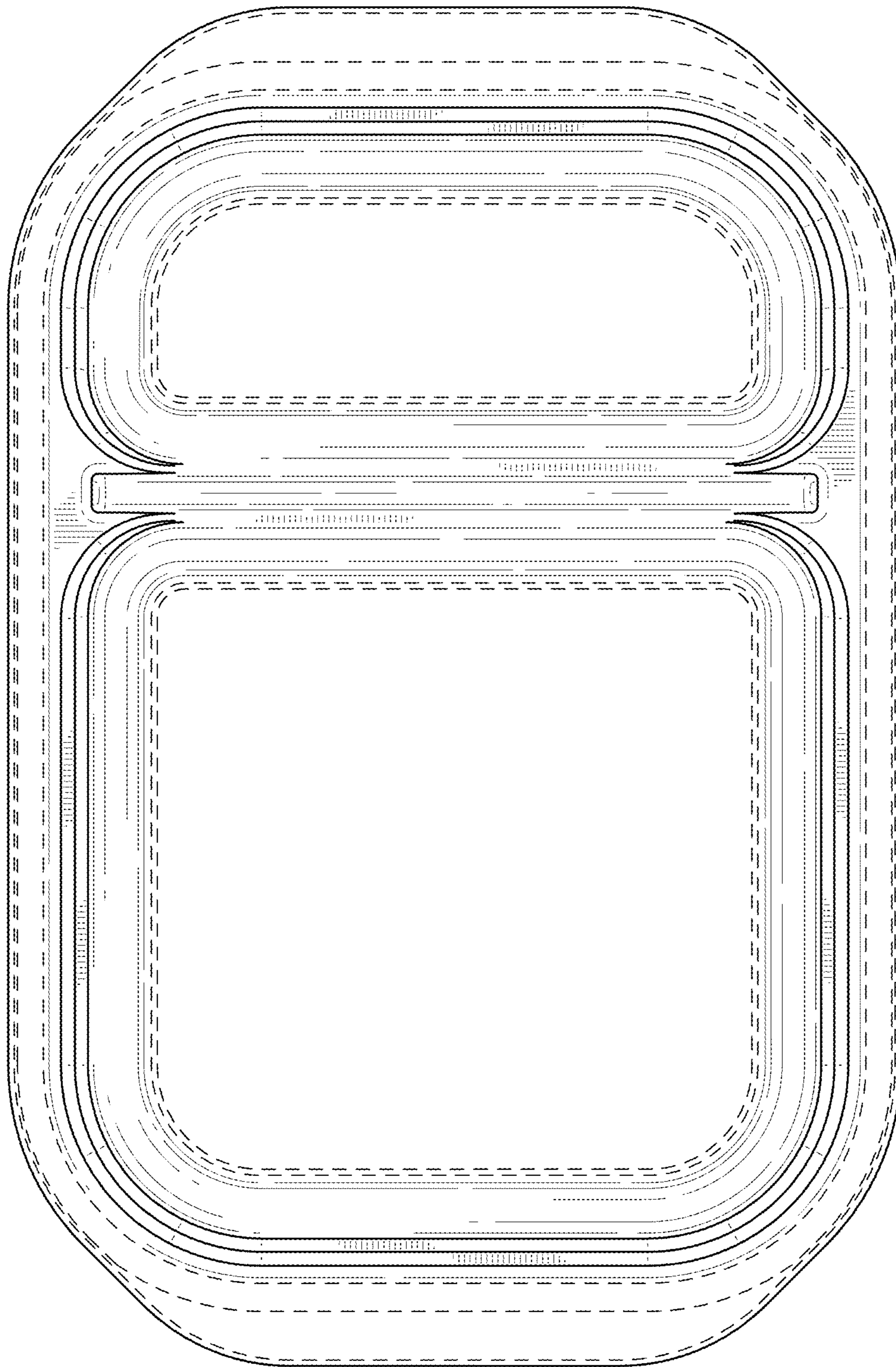


FIG.7