



US00D970975S

(12) **United States Design Patent**
Zhou

(10) **Patent No.:** **US D970,975 S**
(45) **Date of Patent:** **** Nov. 29, 2022**

(54) **DRAWER ORGANIZER**

(71) Applicant: **Xin Zhou**, Jiangsu Province (CN)

(72) Inventor: **Xin Zhou**, Jiangsu Province (CN)

(**) Term: **15 Years**

(21) Appl. No.: **29/849,161**

(22) Filed: **Aug. 9, 2022**

(51) **LOC (13) Cl.** **07-09**

(52) **U.S. Cl.**
USPC **D7/600.4**; D6/683.1

(58) **Field of Classification Search**
USPC D7/401.1, 408-409, 590, 600.1,
D7/600.3-600.4, 601, 703; D6/552, 560,
D6/627-628, 675-675.5, 683-683.1,
D6/691.6-691.8, 704-705.2;
D3/295-298, 304-305, 307, 310, 313,
D3/315

CPC A47B 88/00; A47B 88/41; A47B 88/407;
A47F 5/0081; A47F 5/0093; A47F 3/063;
A47F 5/005

See application file for complete search history.

(56) **References Cited**

U.S. PATENT DOCUMENTS

D139,005 S	*	10/1944	Adams	5/655
D191,144 S	*	8/1961	Shanz	D3/307
3,113,680 A	*	12/1963	Frater	B65D 21/048
				211/126.2
3,347,394 A	*	10/1967	Gould	B65D 21/0212
				206/509
3,534,866 A	*	10/1970	Asenbauer	A47B 87/0269
				211/126.2
4,372,444 A	*	2/1983	Le Grand	B65D 21/062
				206/505
D290,059 S	*	5/1987	Kirchner	D19/92
D450,481 S	*	11/2001	Post	D6/675.2

(Continued)

FOREIGN PATENT DOCUMENTS

CN 306574895 * 6/2021
CN 307515049 * 8/2022

OTHER PUBLICATIONS

2 Tier Clear Organizer with Dividers, LANDNEOO, amazon.com, published by LANDNEOO, first available on Jan. 17, 2022 © 1996-2022 Amazon.com, Inc., online, site visited Sep. 24, 2022. Available at URL: <https://www.amazon.com/Organizer-Multi-Purpose-Slide-Out-Organizing-Organization/dp/B09QKL4WSS?th=1> (Year: 2022).*

(Continued)

Primary Examiner — Holly E Thurman
Assistant Examiner — Altaira J Swangin

(57) **CLAIM**

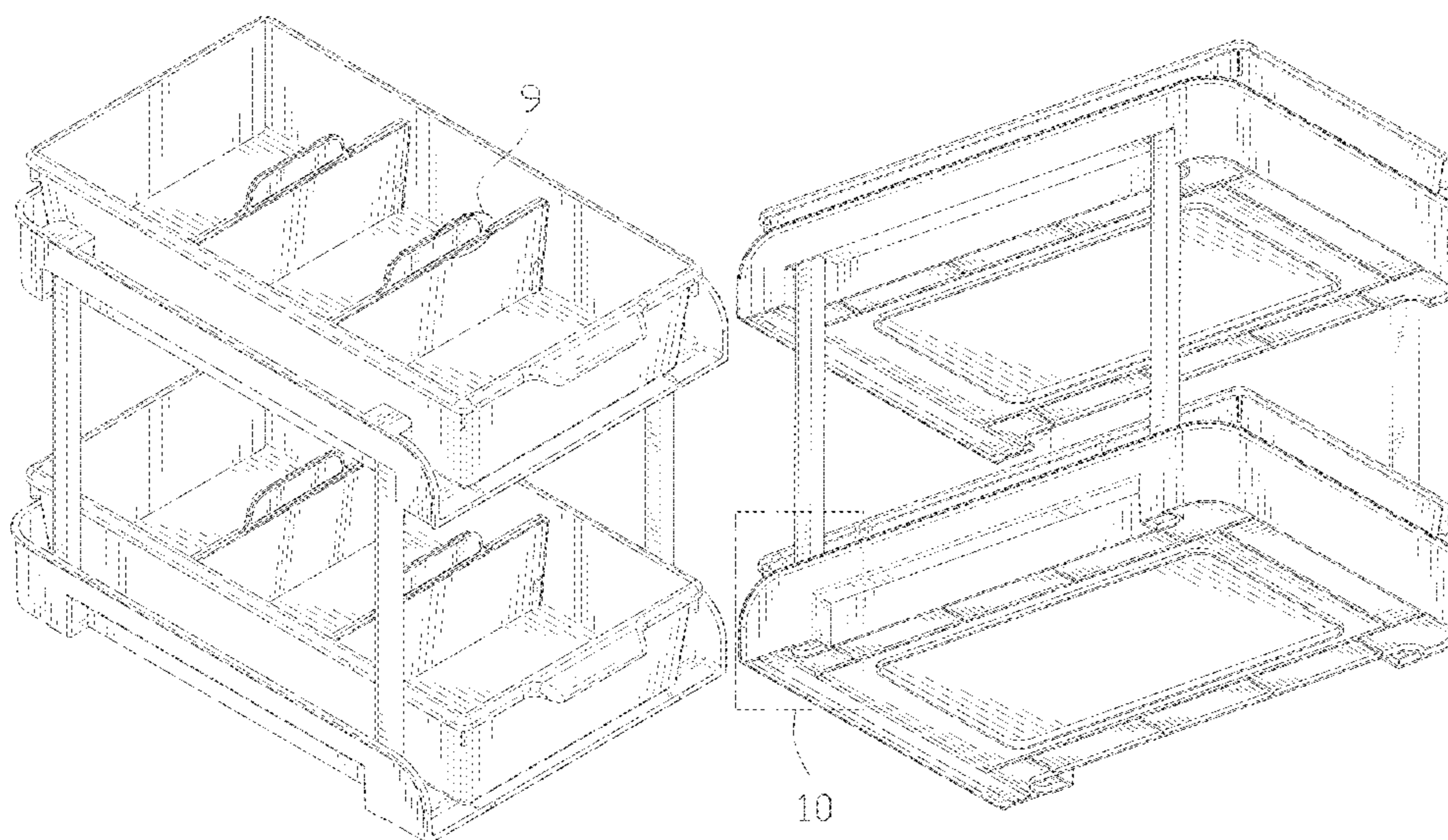
The ornamental design for a drawer organizer, as shown and described.

DESCRIPTION

FIG. 1 is a front and top perspective view of a drawer organizer, showing my new design;
FIG. 2 is a rear and bottom perspective view thereof;
FIG. 3 is a front elevation view thereof;
FIG. 4 is a rear elevation view thereof;
FIG. 5 is a left side elevation view thereof;
FIG. 6 is a right side elevation view thereof;
FIG. 7 is a top plan view thereof;
FIG. 8 is a bottom plan view thereof;
FIG. 9 is an enlarged perspective view of detail “9” identified in FIG. 1; and,
FIG. 10 is an enlarged perspective view of detail “10” identified in FIG. 2.

The dashed lines in the figures illustrate portions of the drawer organizer that form no part of the claimed design. The dash dot dash lines in FIGS. 1, 2, 9 and 10 are for the purpose of depicting the boundary lines of the enlarged views and form no part of the claimed design.

1 Claim, 10 Drawing Sheets



(56)

References Cited

U.S. PATENT DOCUMENTS

D520,748 S * 5/2006 Nudo D3/304
 D601,859 S * 10/2009 Janvier D7/600.1
 D633,296 S * 3/2011 Potts D3/305
 D659,399 S * 5/2012 Kraemer D3/304
 D659,400 S * 5/2012 Kraemer D3/304
 D683,567 S * 6/2013 Hsu D6/675.2
 D696,049 S * 12/2013 Hsu D6/675.2
 D702,463 S * 4/2014 Stanavich D6/683.1
 D709,720 S * 7/2014 Stanavich D6/683.1
 D761,043 S * 7/2016 Snider D6/675.2
 D898,528 S 10/2020 Repko
 D914,408 S * 3/2021 Li D34/21
 D923,369 S * 6/2021 Su D6/675.2
 D944,042 S * 2/2022 Chen D6/675.2
 D945,888 S * 3/2022 Dai D9/737
 D956,480 S * 7/2022 Klein D7/600.4
 D964,075 S * 9/2022 Zhou D6/675.1
 2009/0134169 A1 * 5/2009 Christenson B65D 25/06
 2018/0094984 A1 * 4/2018 Sadinski B65D 25/06

OTHER PUBLICATIONS

2-Tier Clear Organizer with Sliding Storage Drawers, Lille, amazon.com, published by Lille, first available on Apr. 29, 2022 © 1996-2022 Amazon.com, Inc., online, site visited Sep. 24, 2022. Available from Internet, URL: <https://www.amazon.com/Lille-Home-Organizer-Dividers-Bathroom/dp/B09Z7678TM/> (Year: 2022).*

2-Tier Organizer, makesmart, amazon.com, published by makesmart, first available on Apr. 5, 2017 © 1996-2022 Amazon.com, Inc., online, site visited Sep. 24, 2022. Available from Internet, URL: <https://www.amazon.com/makesmart-2-Tier-Organizer-Dividers-Large/dp/B06Y2FS8FK> (Year: 2017).*

Stackable 2-Tier Under Sink Cabinet Organizer, Simple Trending, amazon.com, published by Simple Trending, first available on Oct. 18, 2021 © 1996-2022 Amazon.com, Inc., online, site visited Sep. 28, 2022. URL: <https://www.amazon.com/Simple-Trending-Stackable-Cabinet-Organizer/dp/B09JNJ45QV?th=1> (Year: 2021).*

* cited by examiner

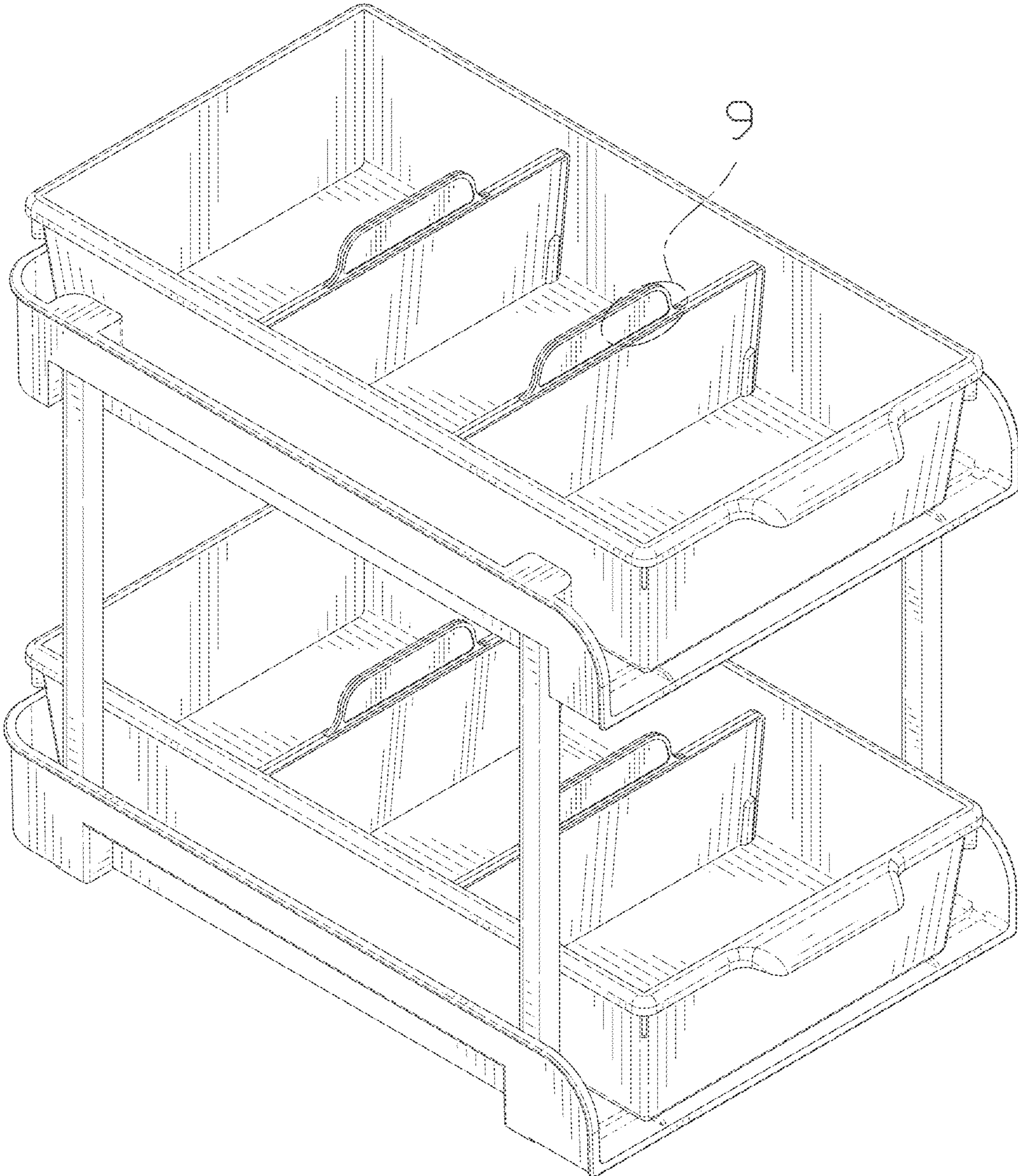


FIG. 1

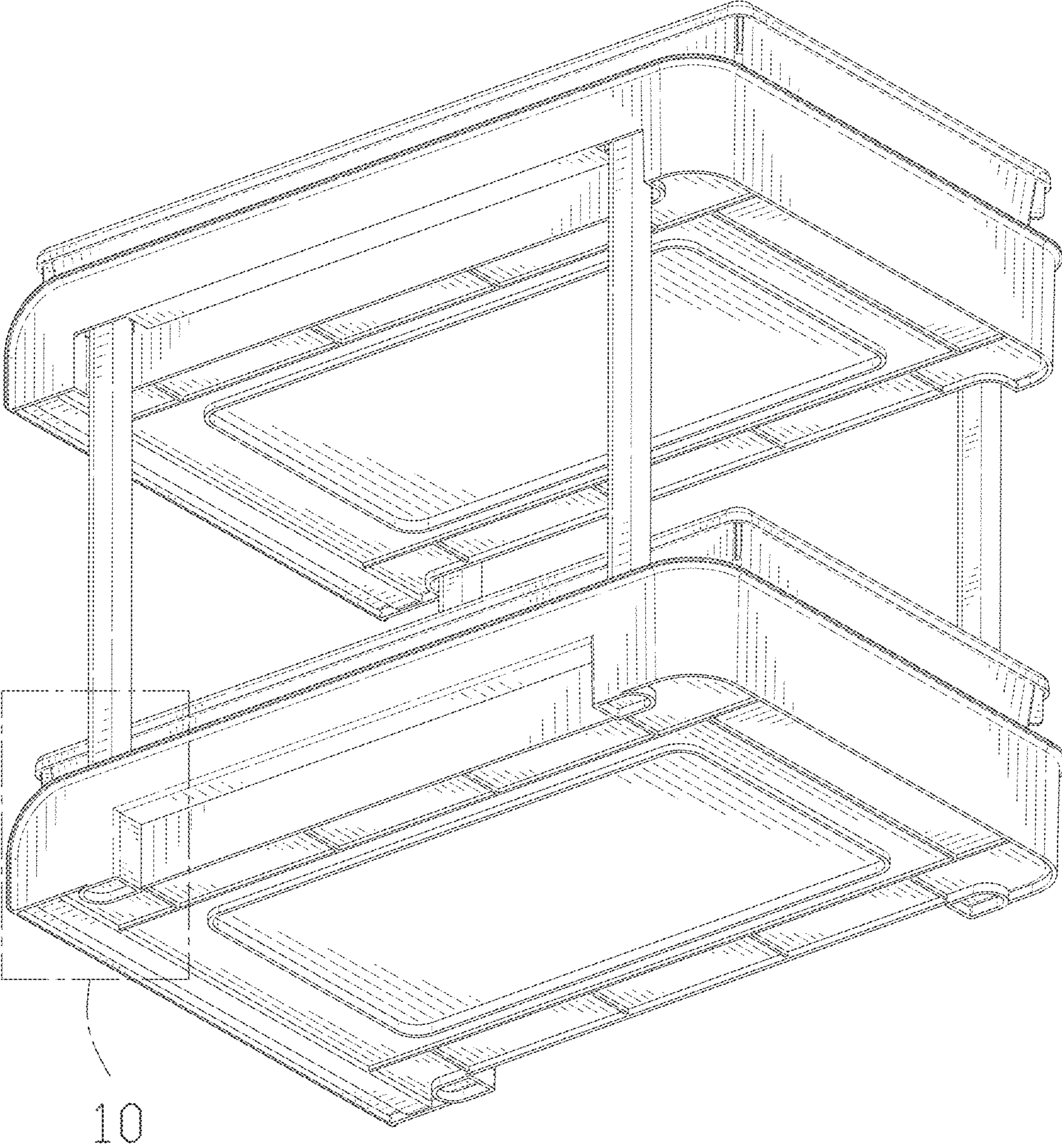


FIG. 2

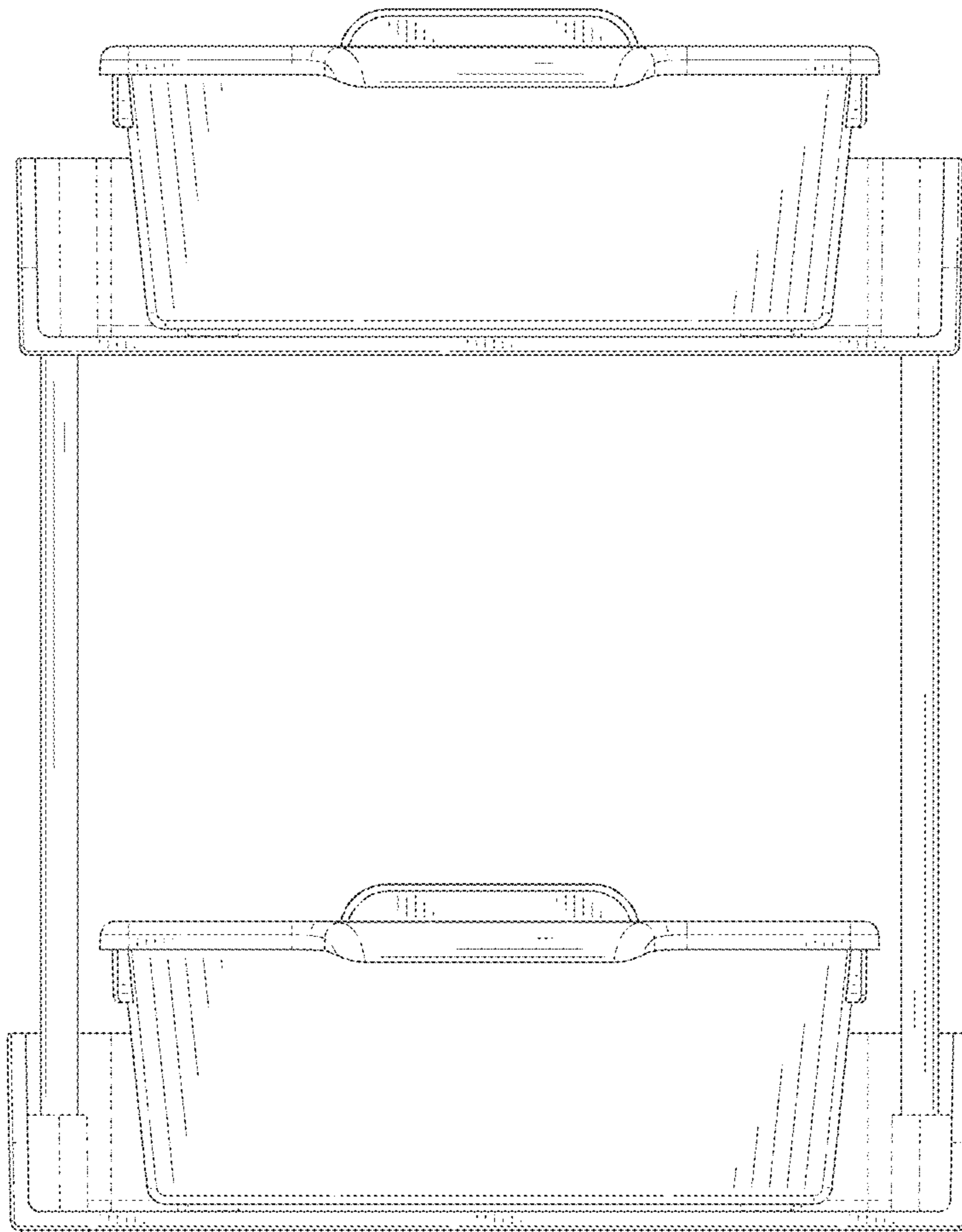


FIG. 3

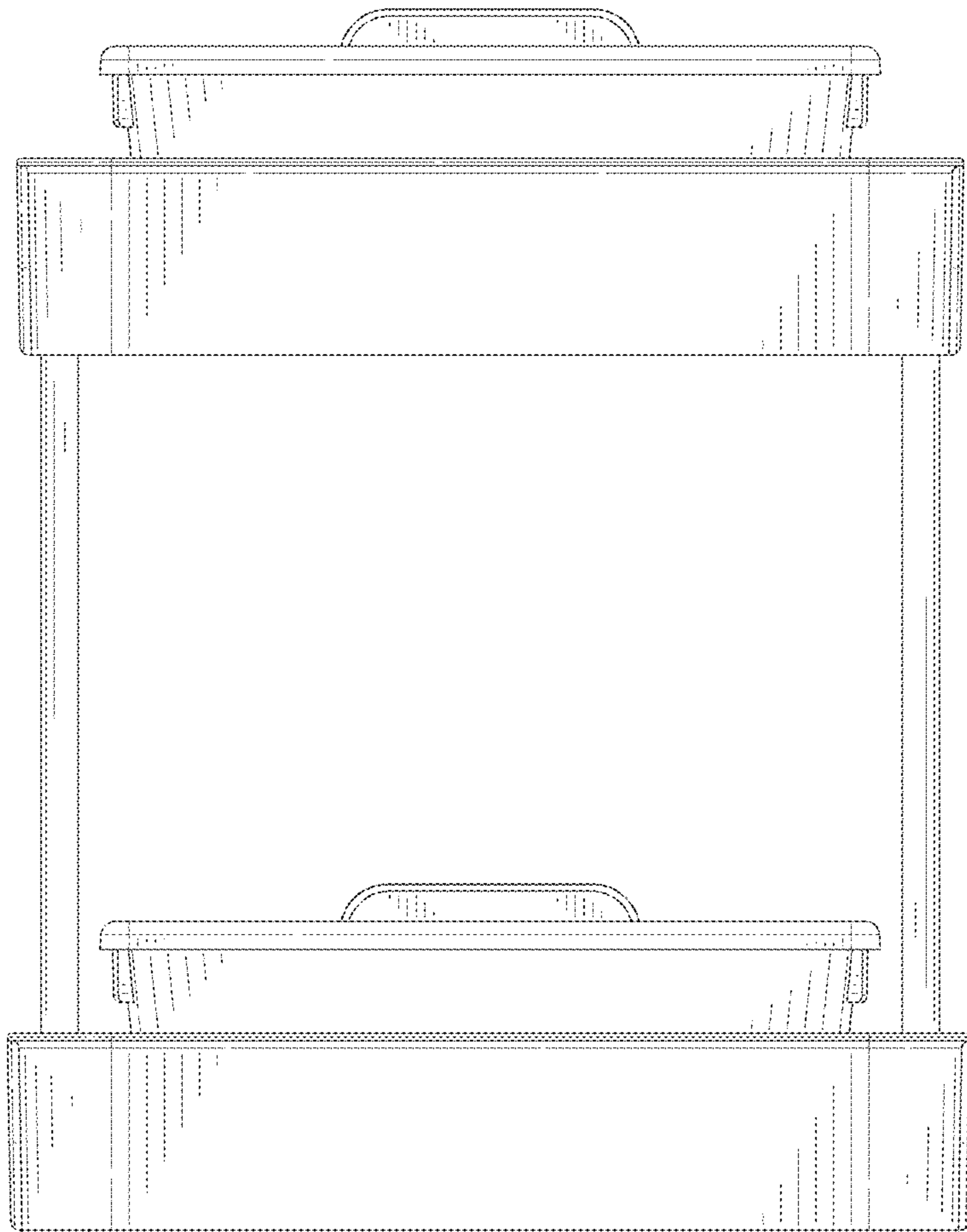


FIG. 4

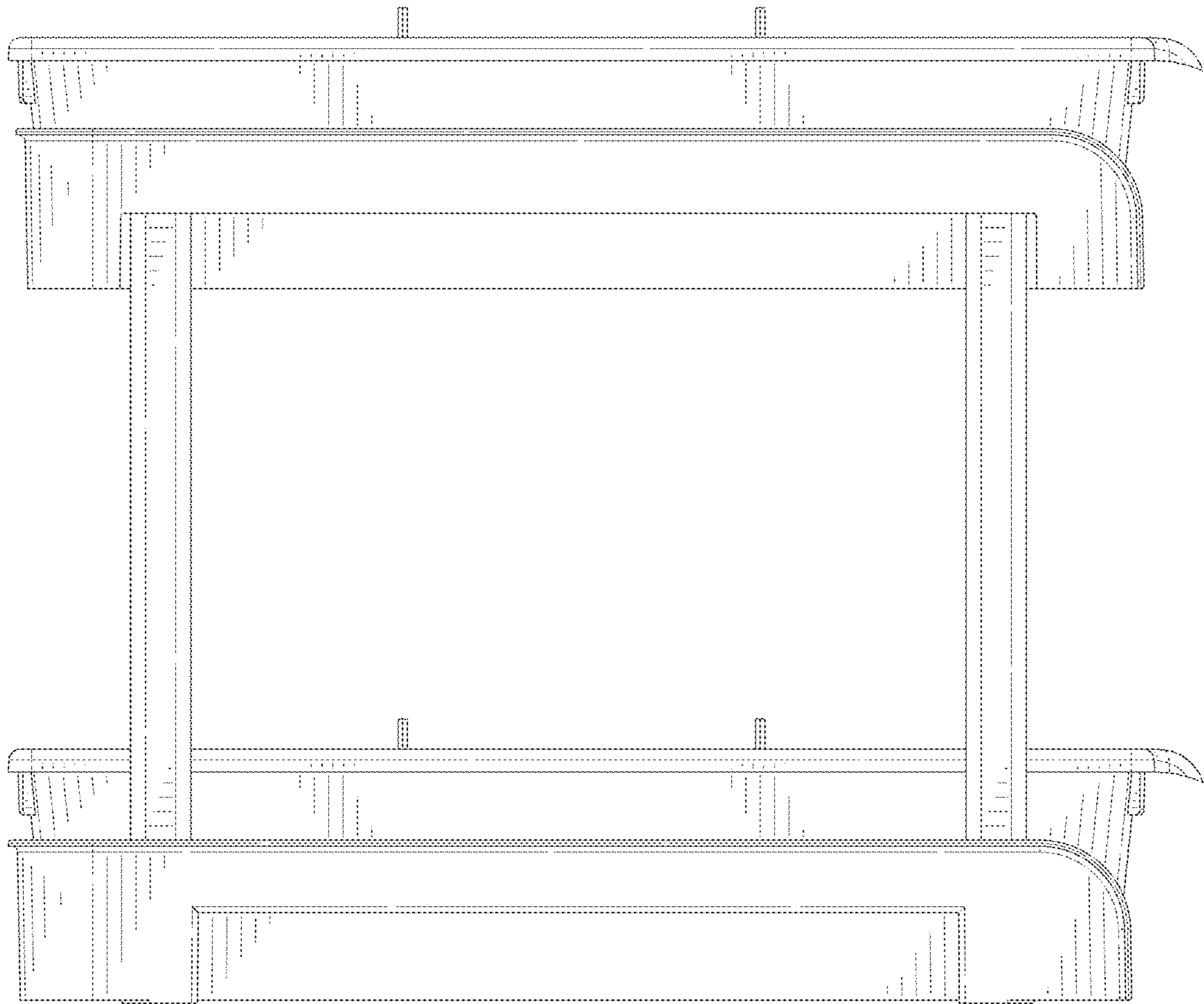


FIG. 5

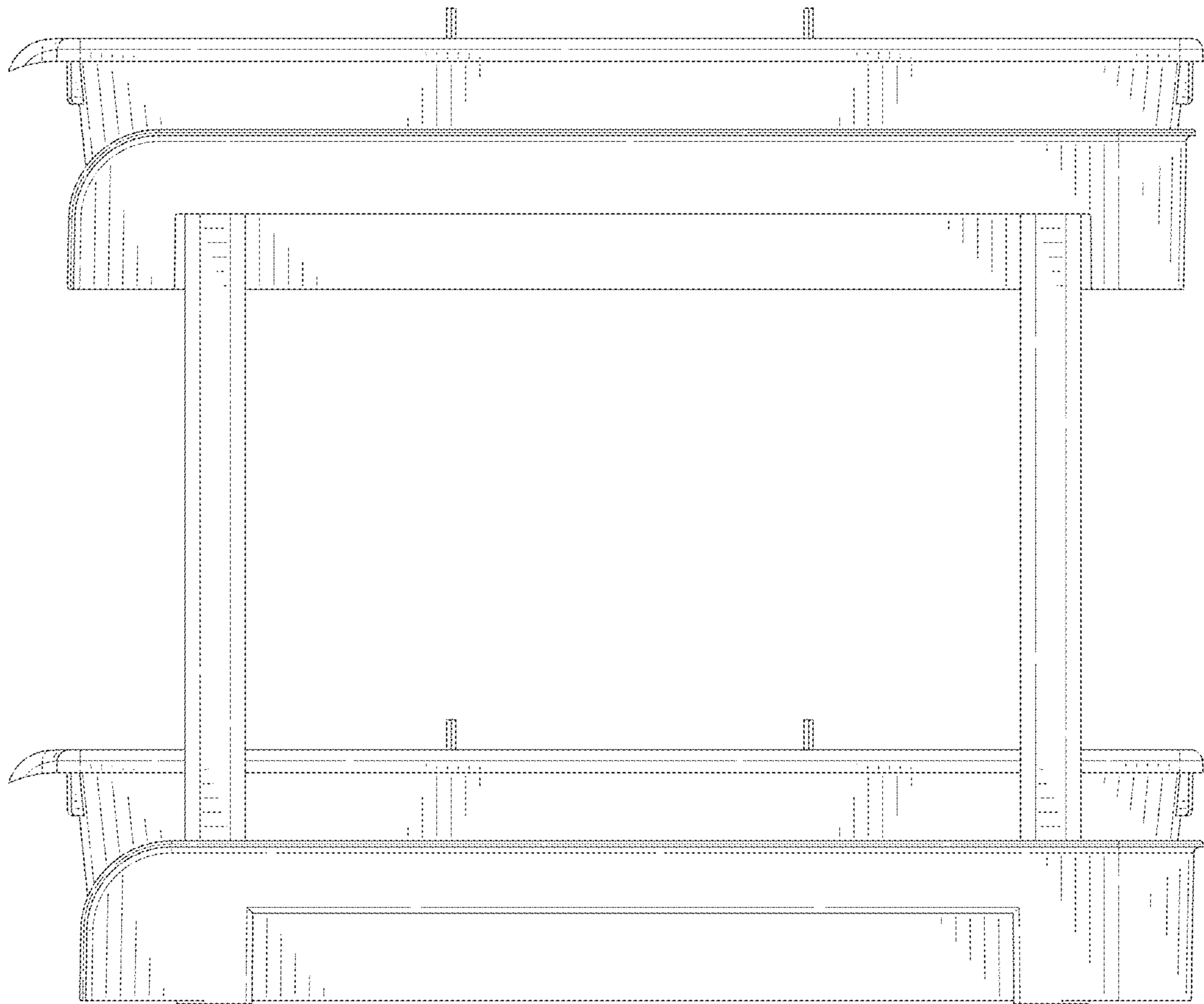


FIG. 6

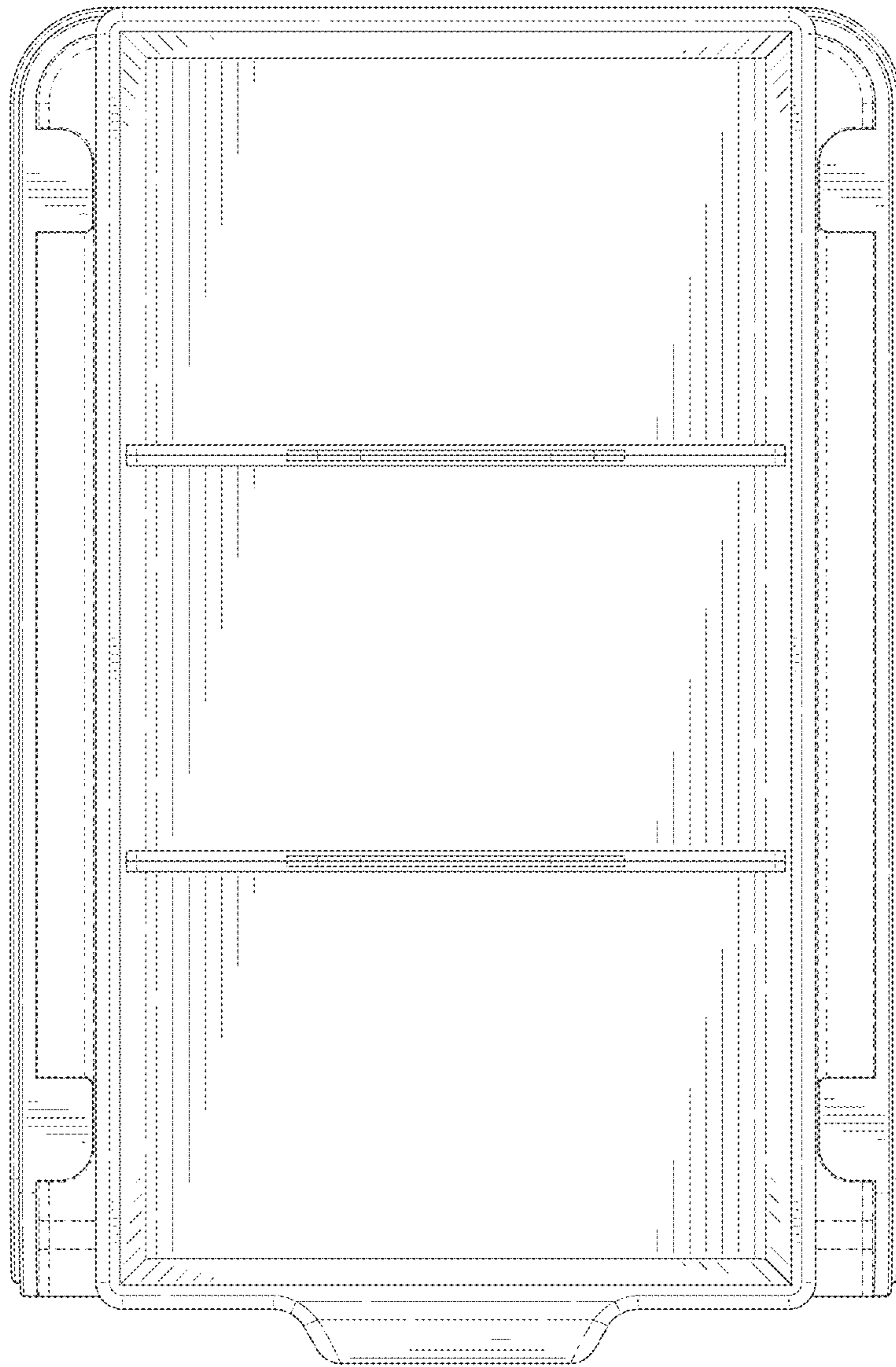


FIG. 7

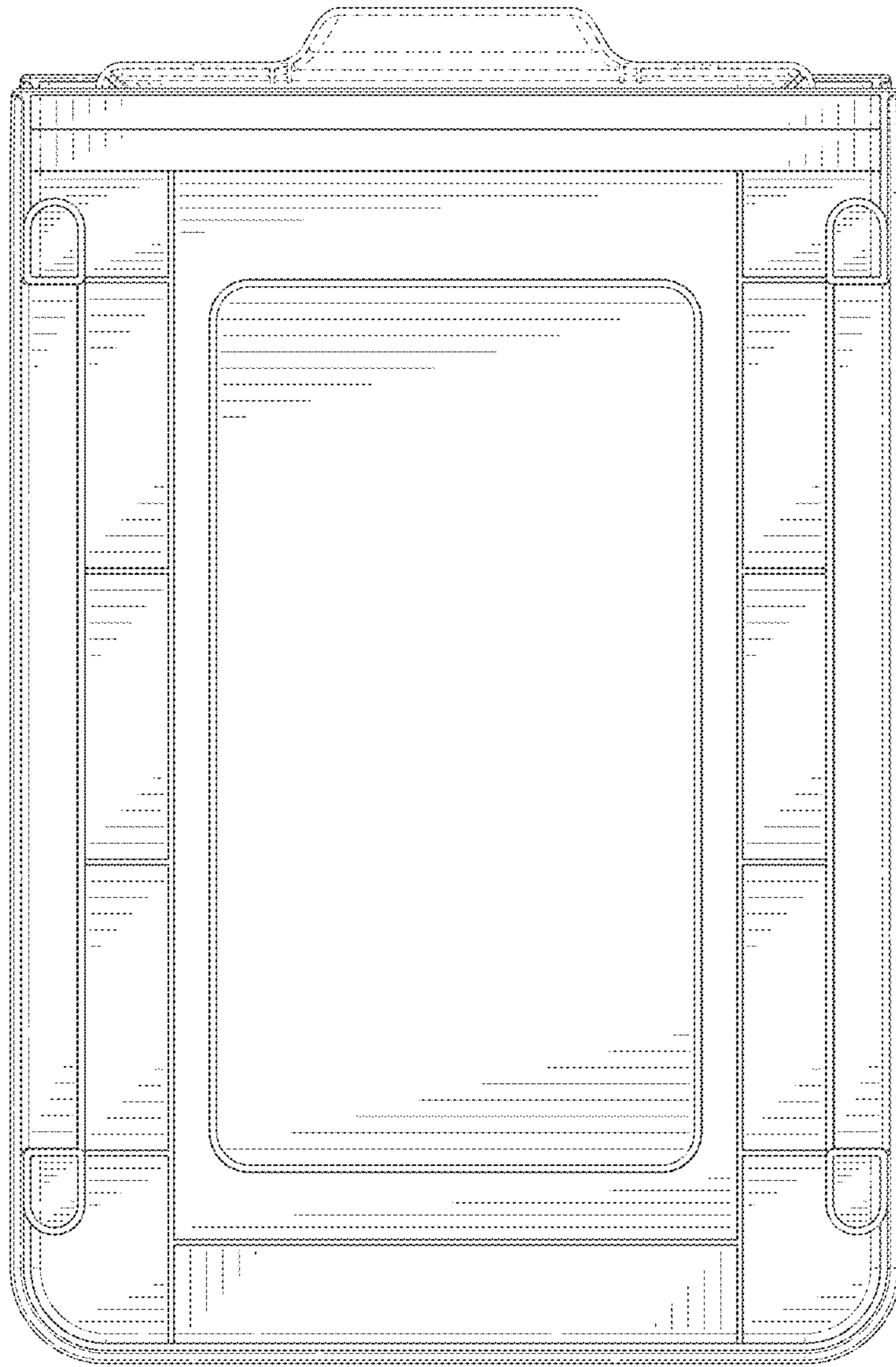


FIG. 8

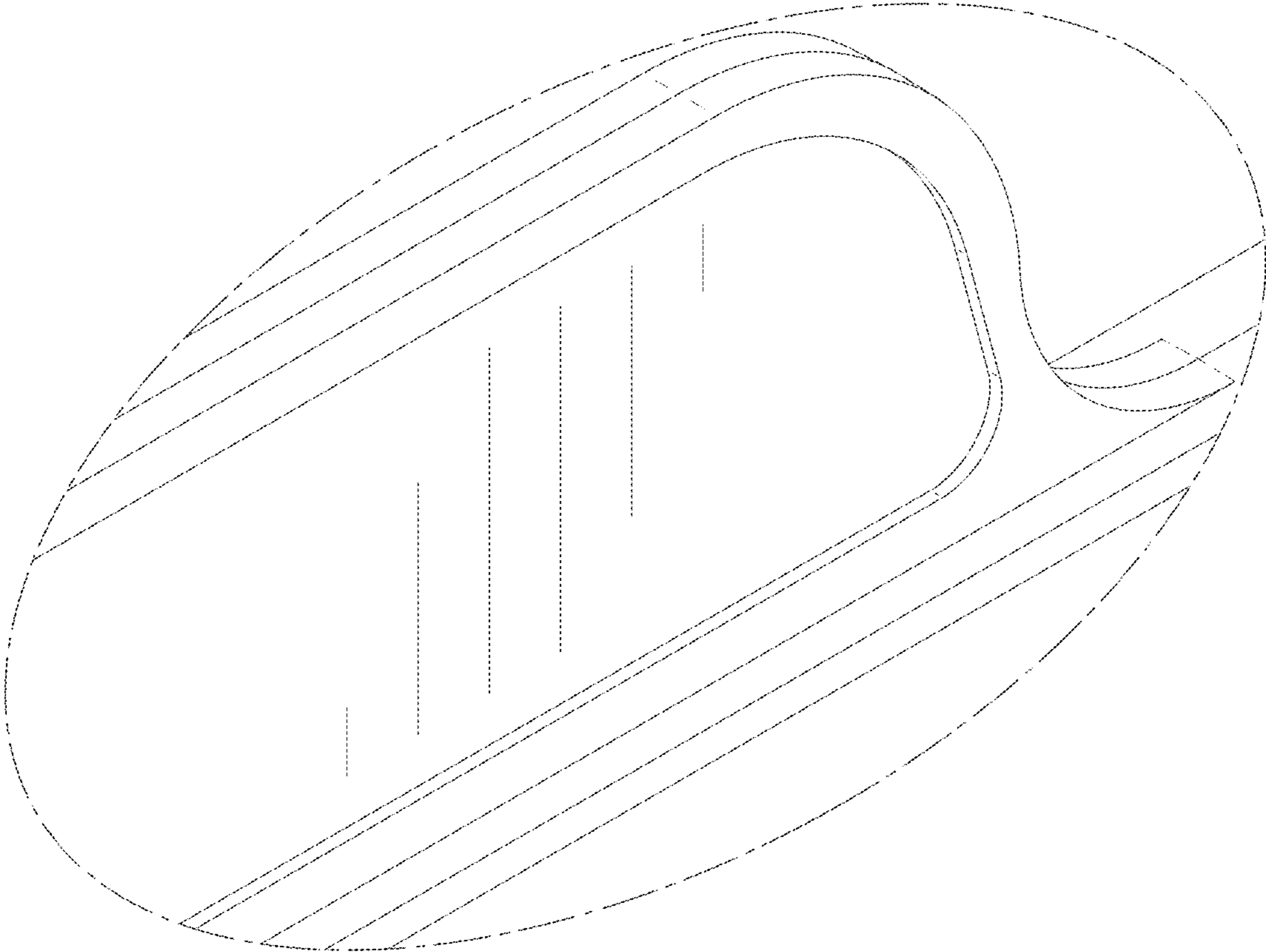


FIG. 9

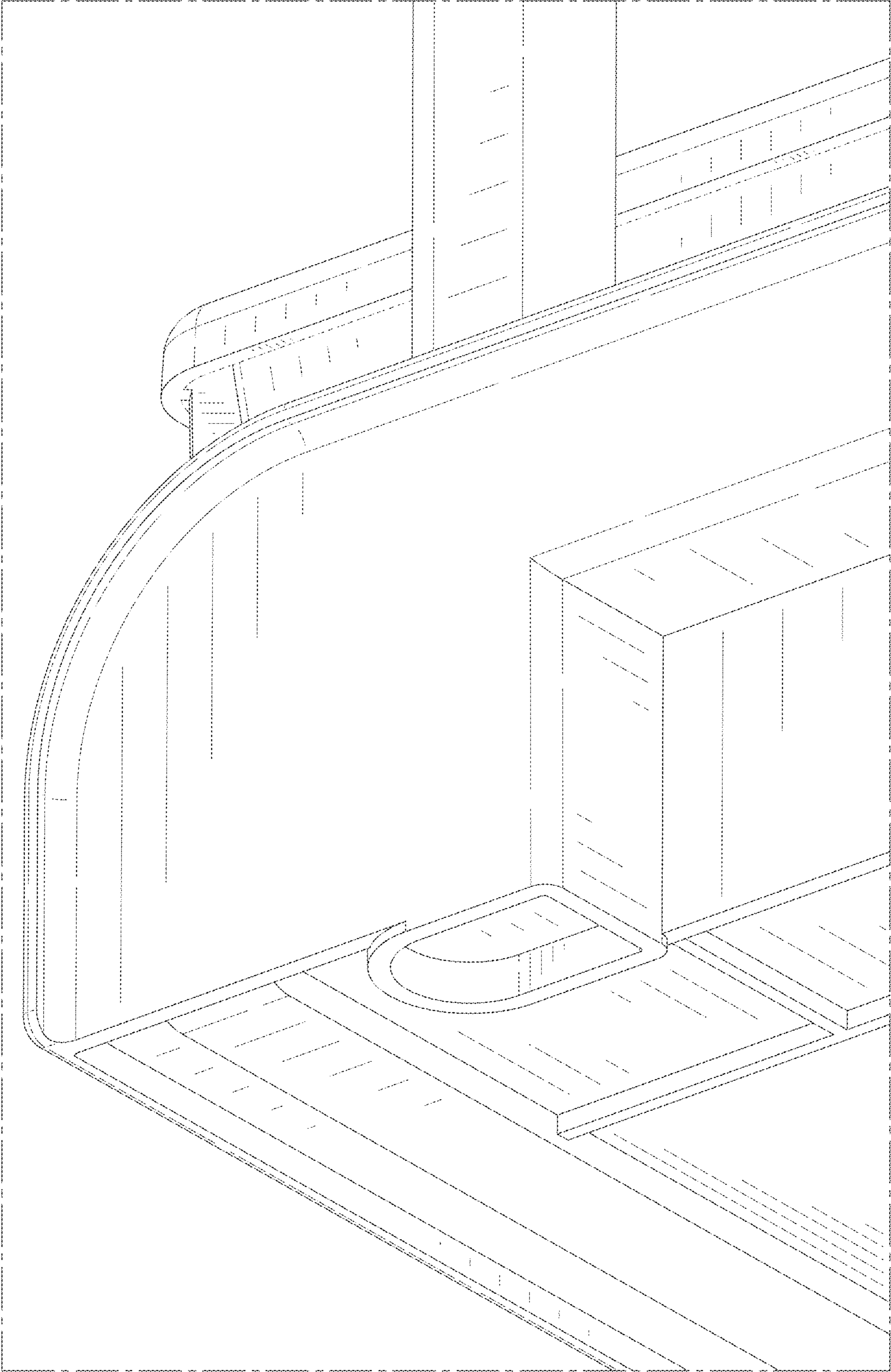


FIG. 10