



US00D970973S

(12) **United States Design Patent**
Huang

(10) **Patent No.:** **US D970,973 S**

(45) **Date of Patent:** **** Nov. 29, 2022**

(54) **SPICE RACK**

(71) Applicant: **Bodwin Brothers LLC**, Taunton, MA
(US)

(72) Inventor: **Lei Huang**, Shanghai (CN)

(**) Term: **15 Years**

(21) Appl. No.: **29/815,460**

(22) Filed: **Nov. 15, 2021**

(51) **LOC (13) Cl.** **07-09**

(52) **U.S. Cl.**
USPC **D7/600.1**

(58) **Field of Classification Search**
USPC D7/590, 600.1, 600.4; D6/536, 300, 301,
D6/302, 512, 513, 524, 552, 567, 574;
D19/75

CPC .. A47F 5/00; A47F 5/0043; A47F 5/08; A47F
7/28; A47J 47/00; A47J 47/16

See application file for complete search history.

(56) **References Cited**

U.S. PATENT DOCUMENTS

- 1,270,718 A * 6/1918 Ford A47B 13/081
248/248
- 3,437,214 A * 4/1969 Sainsbury A47B 96/067
211/90.04
- 4,155,312 A * 5/1979 Thorkildson A47B 45/00
D6/705
- D281,040 S * 10/1985 Campbell D6/567
- D287,200 S * 12/1986 Gecchelin D6/574
- D290,567 S * 6/1987 Spicer D6/567
- D293,404 S * 12/1987 Murphy D6/567
- D305,190 S * 12/1989 Winter D6/567
- D320,520 S * 10/1991 Wolf D6/541
- D414,959 S * 10/1999 Emerson D6/513
- D426,117 S 6/2000 Howitt
- D431,403 S * 10/2000 Ford D6/675
- D443,163 S * 6/2001 Welch D6/574
- D458,072 S * 6/2002 Hoernig D6/574

- D512,867 S * 12/2005 Gates D6/574
- D587,947 S * 3/2009 Valiulis D6/553
- D594,230 S * 6/2009 Barkdoll D3/304
- D640,489 S * 6/2011 Tuholski D6/574
- D678,699 S * 3/2013 Stravitz D6/707.21
- D688,905 S * 9/2013 Stravitz D6/705
- D750,909 S * 3/2016 Hickman D6/310
- D773,871 S * 12/2016 Porisky D6/706
- D779,893 S * 2/2017 deBretton Gordon D7/637
- 9,578,961 B1 * 2/2017 Johnson A47F 7/02
- D784,745 S * 4/2017 Nilsson D6/705
- D802,370 S 11/2017 Tsai
- D834,736 S * 11/2018 Liu 26/85

(Continued)

OTHER PUBLICATIONS

Deco Gables Designs Shelves| posted at Amazon.com, posted on May 26, 2021, © 1996-2022 Amazon.com, [online], [site visited Sep. 19, 2022]. Available from Internet, <URL: <https://www.amazon.co.uk/Deco-Gables-Designs-Stainless-Bathroom/dp/B095X5RZ13/>> (Year: 2021).*

(Continued)

Primary Examiner — Andrew Kerr

(74) *Attorney, Agent, or Firm* — Whitewood Law PLLC

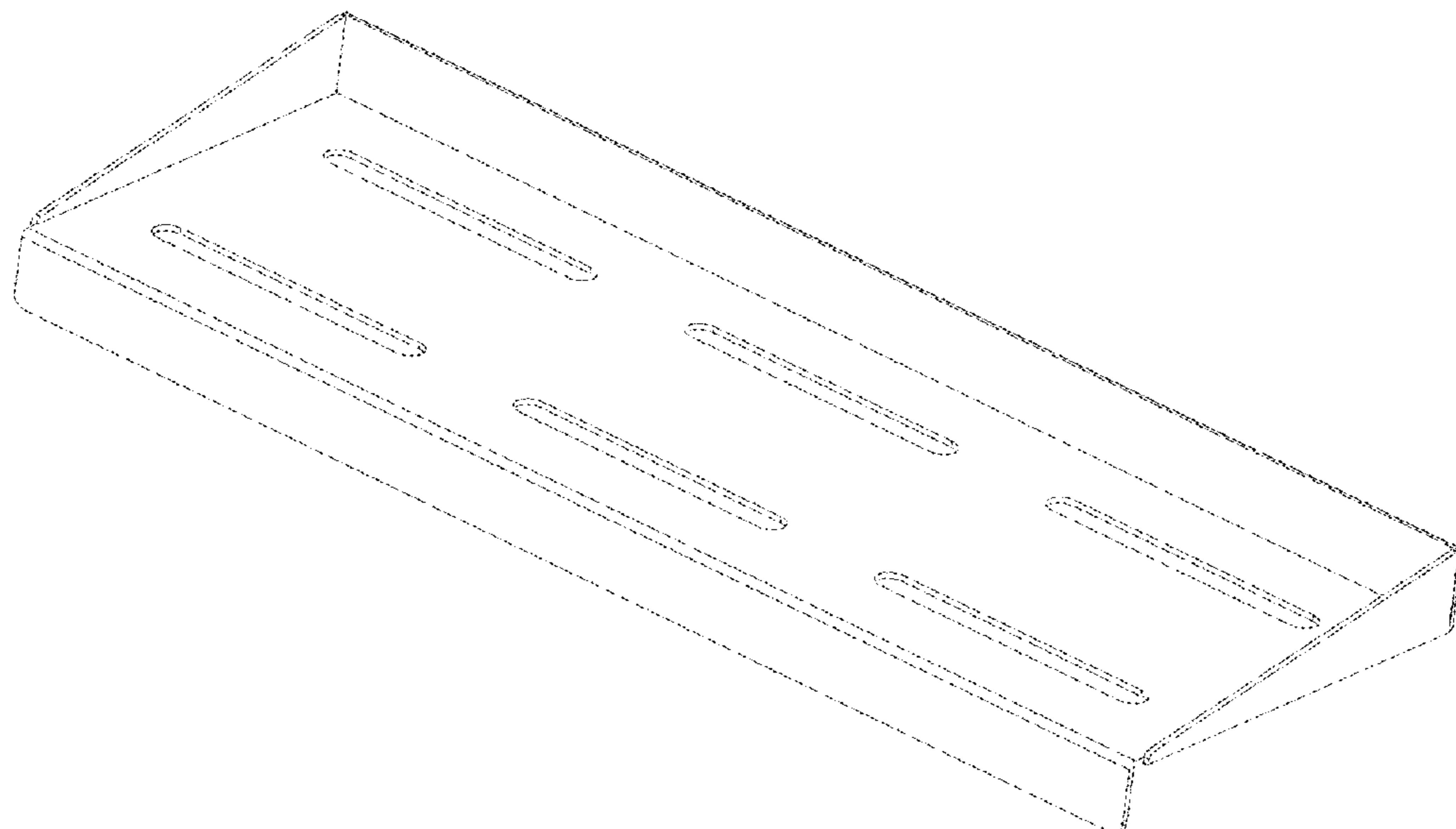
(57) **CLAIM**

What is claimed is an ornamental design for a spice rack, as shown.

DESCRIPTION

FIG. 1 is a perspective view of a spice rack showing my new design;
FIG. 2 is a front elevation view thereof;
FIG. 3 is a rear elevation view thereof;
FIG. 4 is a left side elevational view thereof;
FIG. 5 is a right side elevational view thereof;
FIG. 6 is a top plan view thereof; and,
FIG. 7 is a bottom plan view thereof.

1 Claim, 7 Drawing Sheets



(56)

References Cited

U.S. PATENT DOCUMENTS

D875,427 S * 2/2020 Chiang D6/574
D894,809 S * 9/2020 Chi D12/196
D922,795 S * 6/2021 Hong D6/574
D929,410 S * 8/2021 Ho D14/457
D937,005 S * 11/2021 Lai D6/574
11,197,547 B2 * 12/2021 Bolos A47B 57/045
D946,929 S * 3/2022 Holzmann D6/574
D963,373 S * 9/2022 Hu D6/574

OTHER PUBLICATIONS

HQYing 2 Pack Floating Shelves | posted at Amazon.com, posted on Jun. 30, 2022, © 1996-2022 Amazon.com, [online], [site visited Sep. 19, 2022]. Available from Internet, <URL: <https://www.amazon.com/HQYing-Shelves%EF%BC%88W17-Room-Heavyduty-Industrial-Bookshelf/dp/B0B5GB9FB9/>> (Year: 2022).*

TTBC metal Wall Shelf | posted at Amazon.com, no posting date, © 1996-2022 Amazon.com, [online], [site visited Sep. 19, 2022]. Available from Internet, <URL: <https://www.amazon.com/HQYing-Shelves%EF%BC%88W17-Room-Heavyduty-Industrial-Bookshelf/dp/B0B5GB9FB9/>> (Year: 2022).*

Spice Jars Organizer Tray | posted at Amazon.com, posted on Apr. 21, 2021, © 1996-2022 Amazon.com, [online], [site visited Sep. 19, 2022]. Available from Internet, <URL: <https://www.amazon.com/IHOMECOOKER-Expandable-Organizer-Cabinets-Seasonings/dp/B0933184QG?th=1>>.*

SpaceAid Spice Drawer Organizer | posted at Amazon.com, posted on Jan. 12, 2022, © 1996-2022 Amazon.com, [online], [site visited Sep. 19, 2022]. Available from Internet, <URL: <https://www.amazon.com/IHOMECOOKER-Expandable-Organizer-Cabinets-Seasonings/dp/B0933184QG?th=1>>.*

* cited by examiner

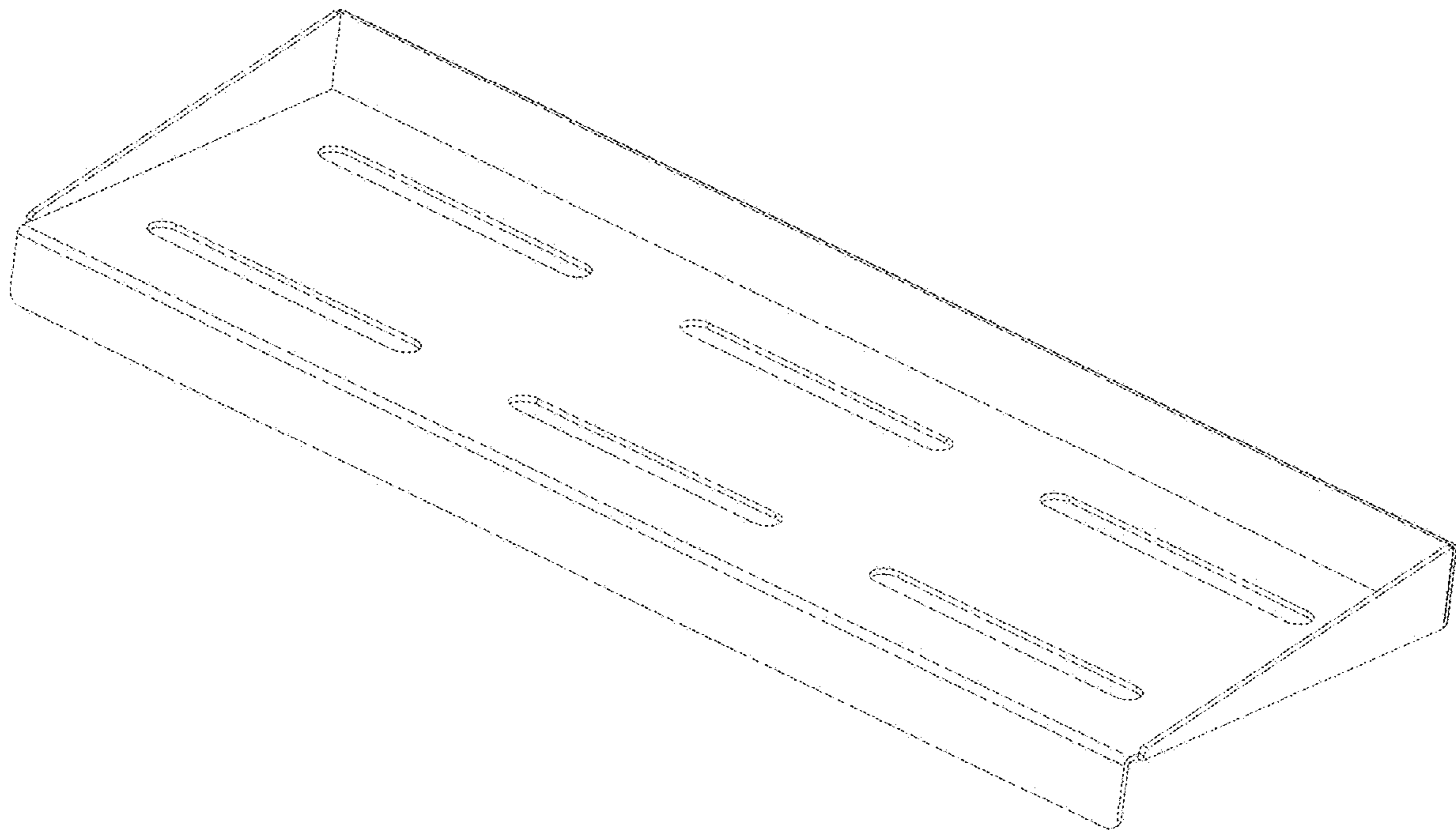


FIG. 1

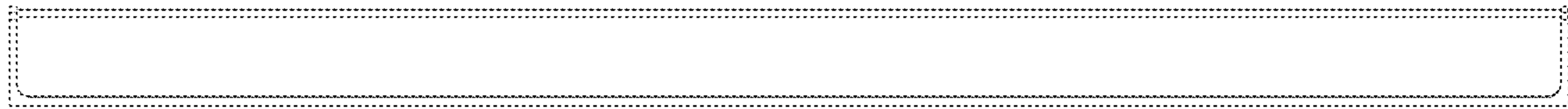


FIG. 2



FIG. 3

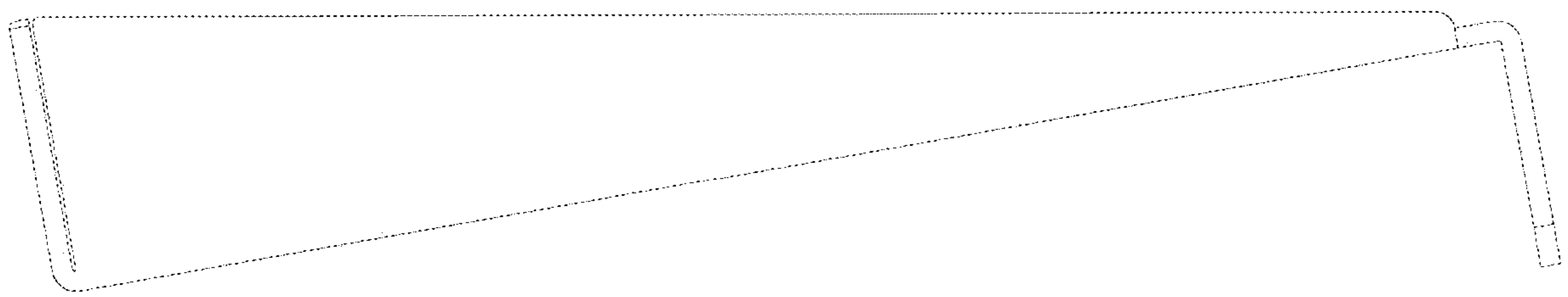


FIG. 4

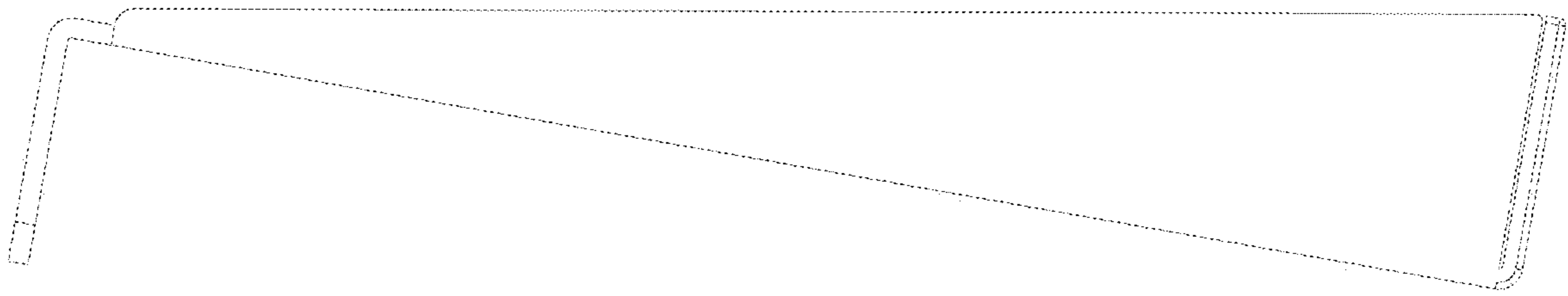


FIG. 5

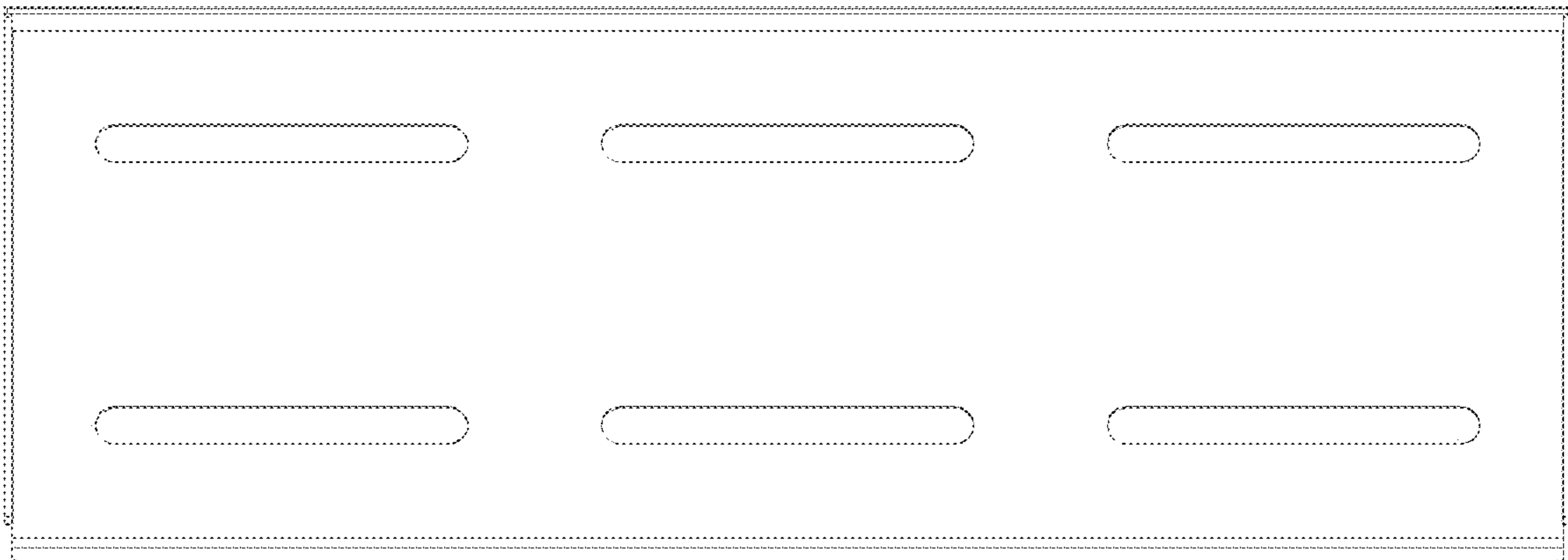


FIG. 6

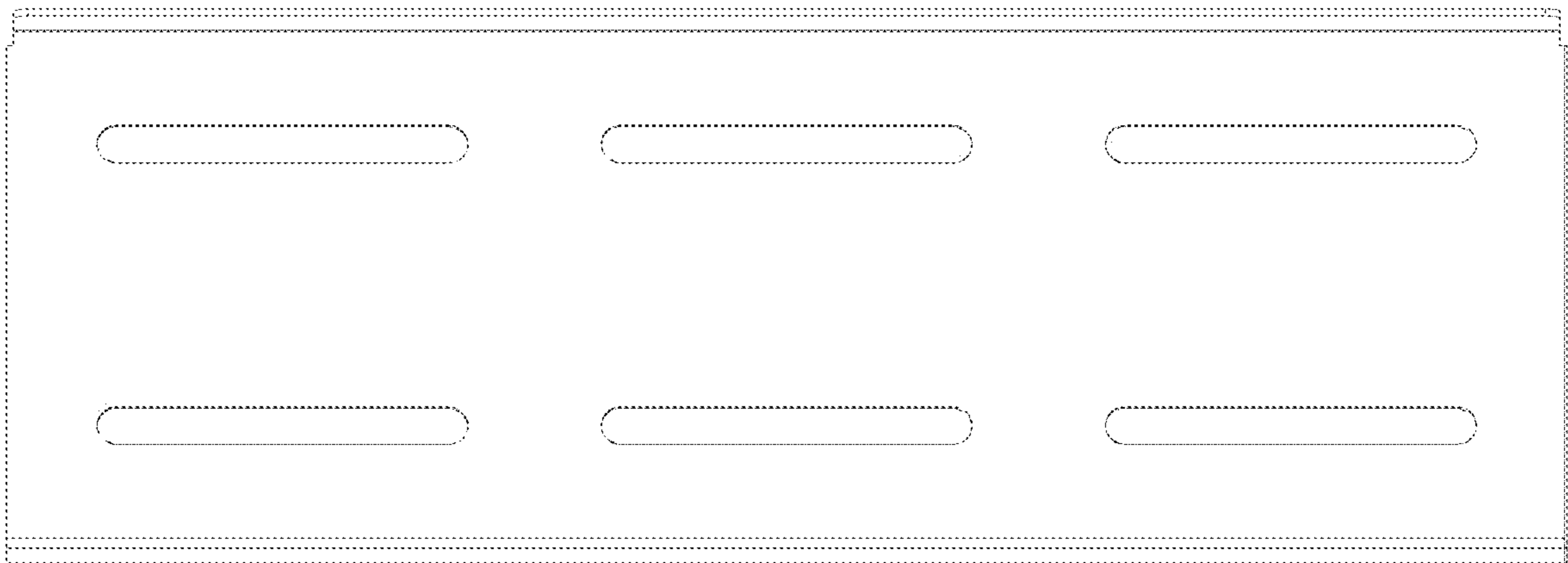


FIG. 7