



US00D970972S

(12) **United States Design Patent**
Wang

(10) **Patent No.:** **US D970,972 S**

(45) **Date of Patent:** **** Nov. 29, 2022**

- (54) **CUP HOLDER TRAY FOR CAR**
- (71) Applicant: **Zhiyong Wang**, Guangzhou (CN)
- (72) Inventor: **Zhiyong Wang**, Guangzhou (CN)
- (**) Term: **15 Years**
- (21) Appl. No.: **29/832,945**
- (22) Filed: **Mar. 31, 2022**
- (51) **LOC (13) Cl.** **07-01**
- (52) **U.S. Cl.**
USPC **D7/553.1; D12/419**
- (58) **Field of Classification Search**
USPC D7/500, 550.1, 552.1, 552.2, 553.1,
D7/553.5, 601-602, 397; D12/415, 419,
D12/425
CPC ... B60R 7/08; B60R 7/005; B60R 2011/0007;
B60N 3/10; B60N 3/0001; B60N 3/0002;
B60N 3/105; B60N 35/106
See application file for complete search history.

(56) **References Cited**

U.S. PATENT DOCUMENTS

- 5,915,561 A * 6/1999 Lorenzana A47G 23/0608
206/562
- D527,953 S 9/2006 Le Gal
- D655,136 S 3/2012 Goodman
- D735,636 S * 8/2015 Wragg D12/419
- D801,120 S 10/2017 Zeien
- D824,736 S * 8/2018 Yang D7/707
- D906,229 S * 12/2020 Han D12/419
- D925,300 S * 7/2021 Chong D12/420

- D933,429 S * 10/2021 Hu D7/620
- D940,520 S * 1/2022 Avellanet D7/701
- D940,635 S * 1/2022 Yang D12/419
- D940,636 S * 1/2022 Yang D12/419
- D942,217 S * 2/2022 Hong D7/553.5
- D963,548 S * 9/2022 Zhu D12/419
- D964,256 S * 9/2022 Chen D12/419
- D964,912 S * 9/2022 Wang D12/419

* cited by examiner

Primary Examiner — Kelley A Donnelly

(74) *Attorney, Agent, or Firm* — Rumit Ranjit Kanakia

(57) **CLAIM**

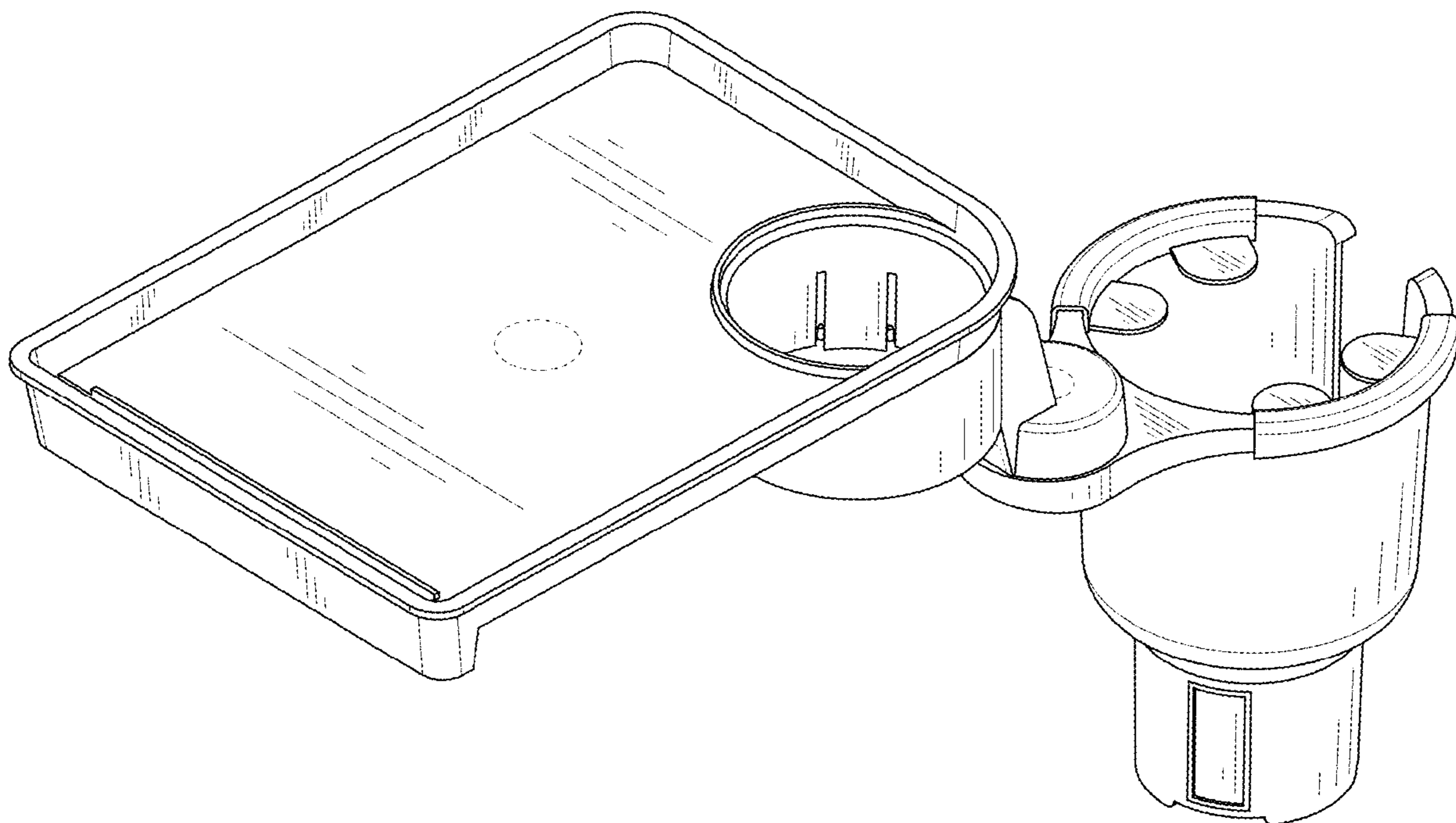
The ornamental design for a cup holder tray for car, as shown and described.

DESCRIPTION

FIG. 1 is a first perspective view of a cup holder tray for car showing my new design;
 FIG. 2 is a second perspective view thereof;
 FIG. 3 is a front view thereof;
 FIG. 4 is a back view thereof;
 FIG. 5 is a left side view thereof;
 FIG. 6 is a right side view thereof;
 FIG. 7 is a top view thereof;
 FIG. 8 is a bottom view thereof; and,
 FIG. 9 is an enlarged view of the selected portion 9 in FIG. 2.

The broken lines shown in the drawings depict portions of the cup holder tray for car that form no part of the claimed design.

1 Claim, 9 Drawing Sheets



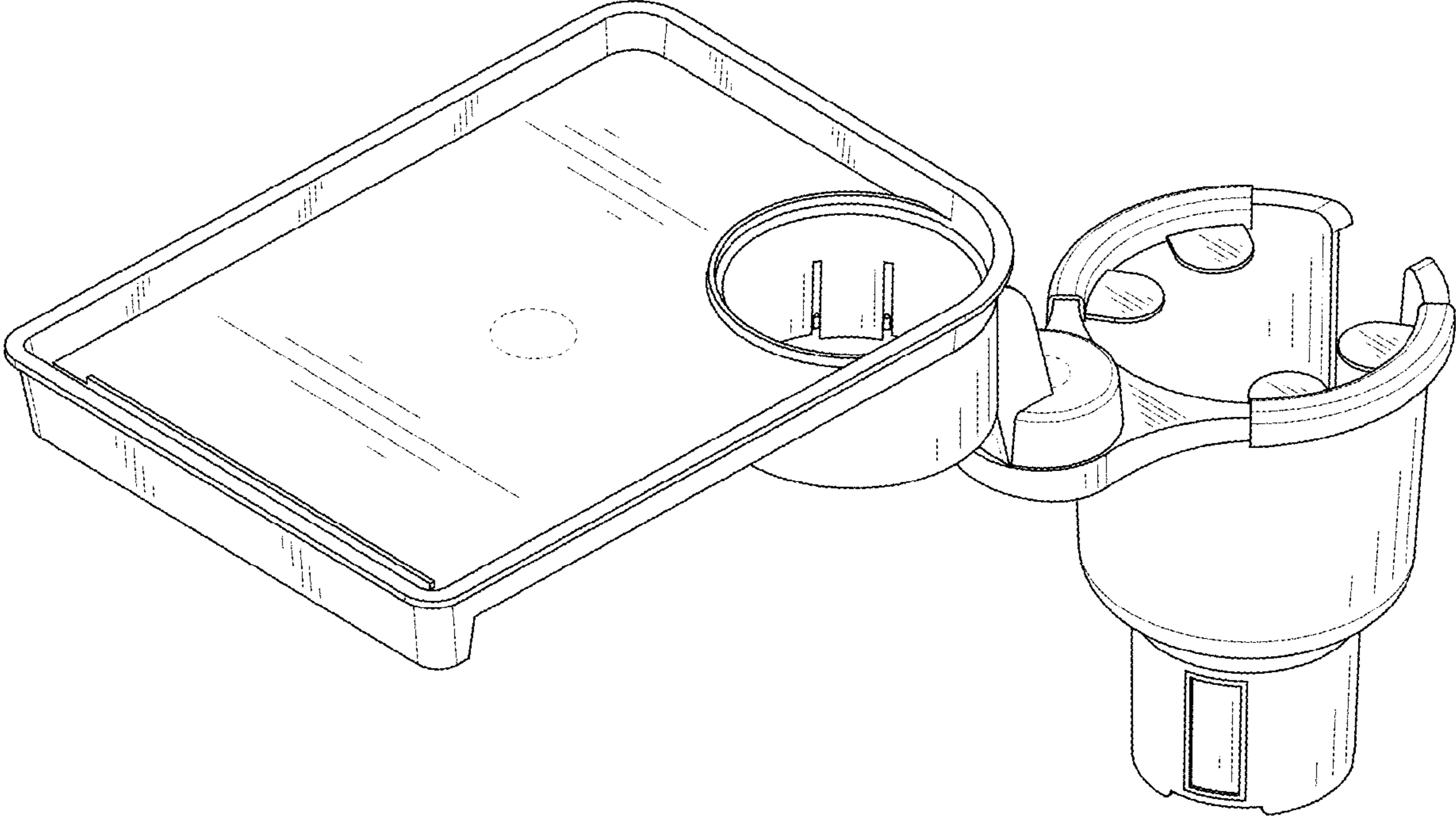


FIG. 1

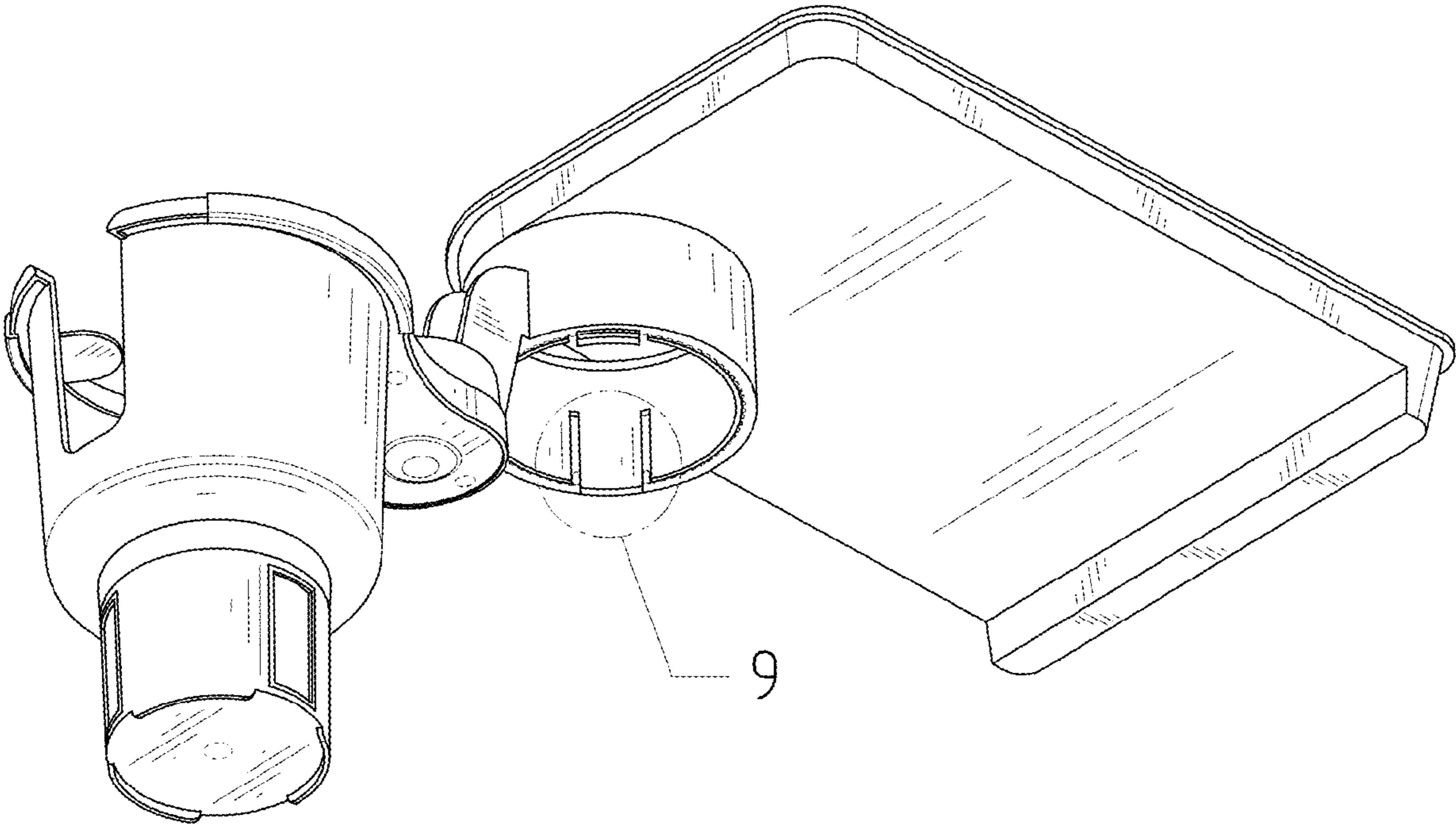


FIG. 2

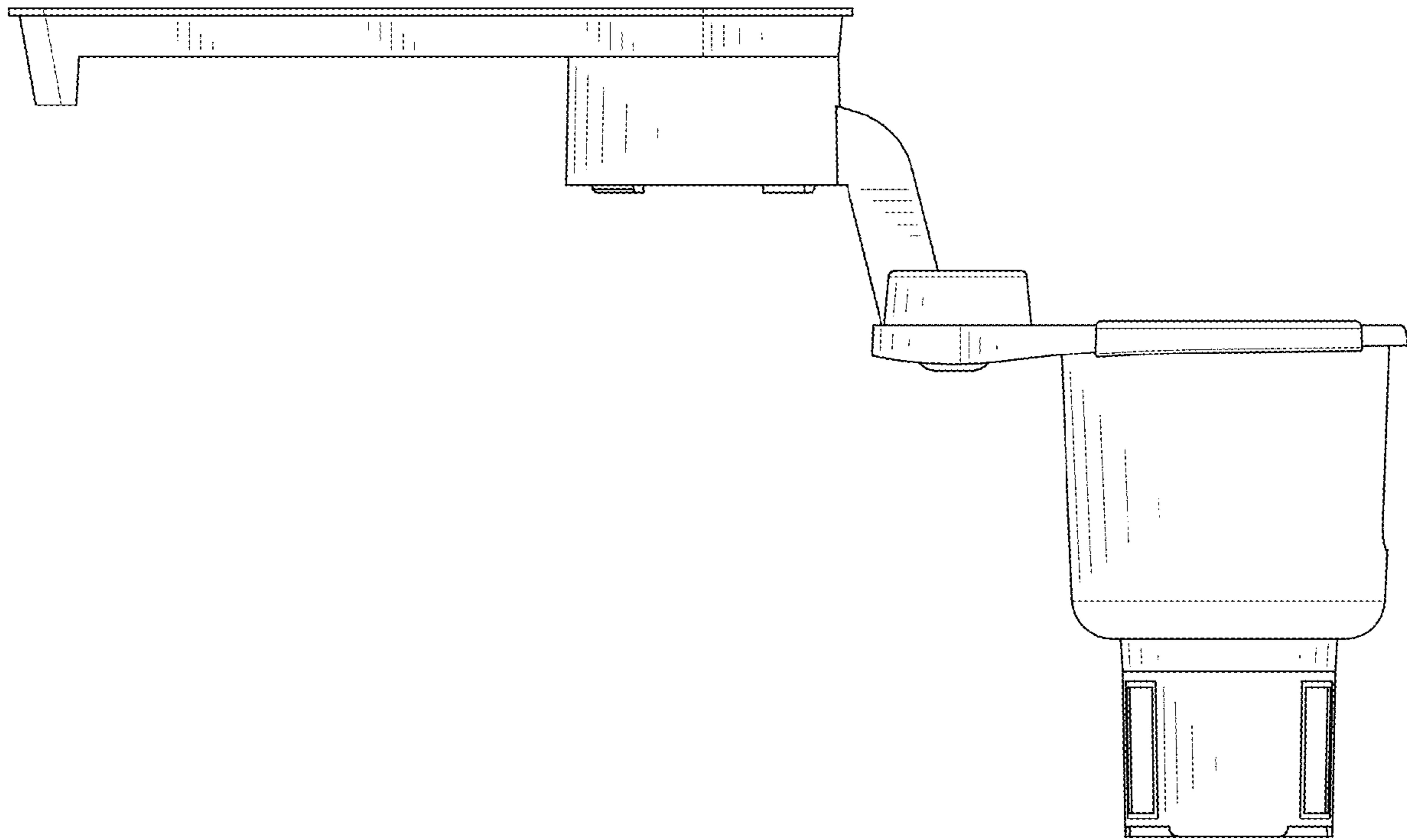


FIG. 3

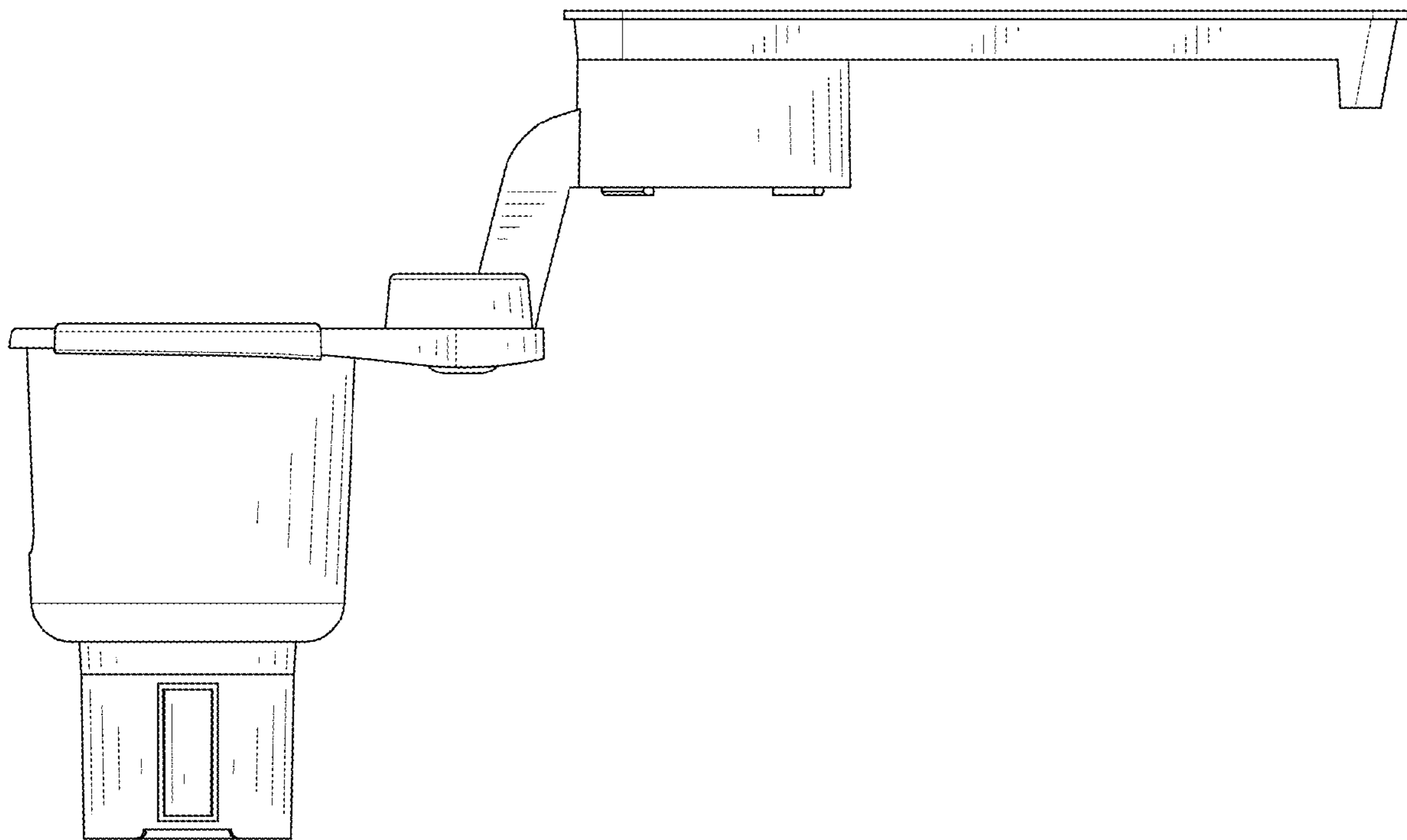


FIG. 4

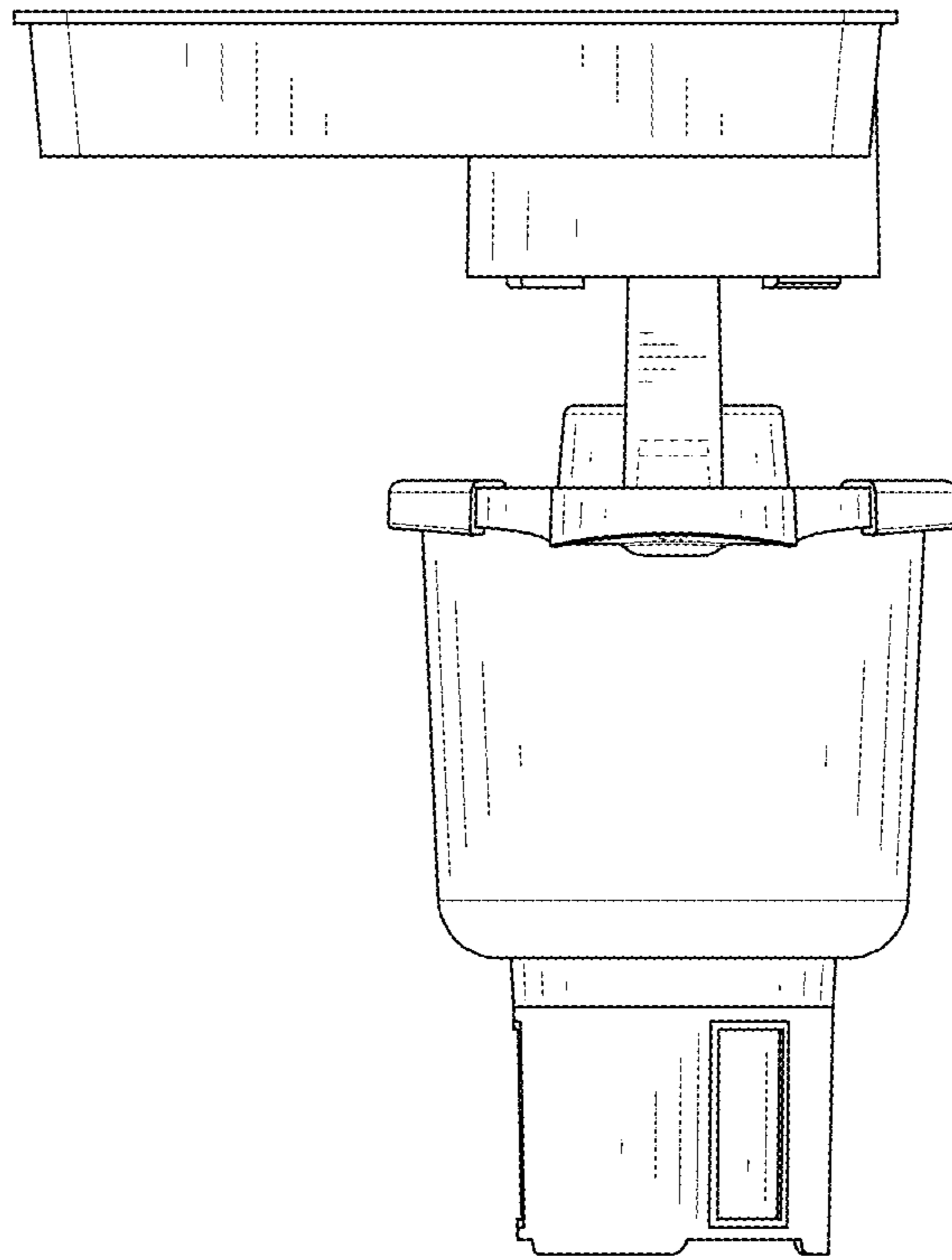


FIG. 5

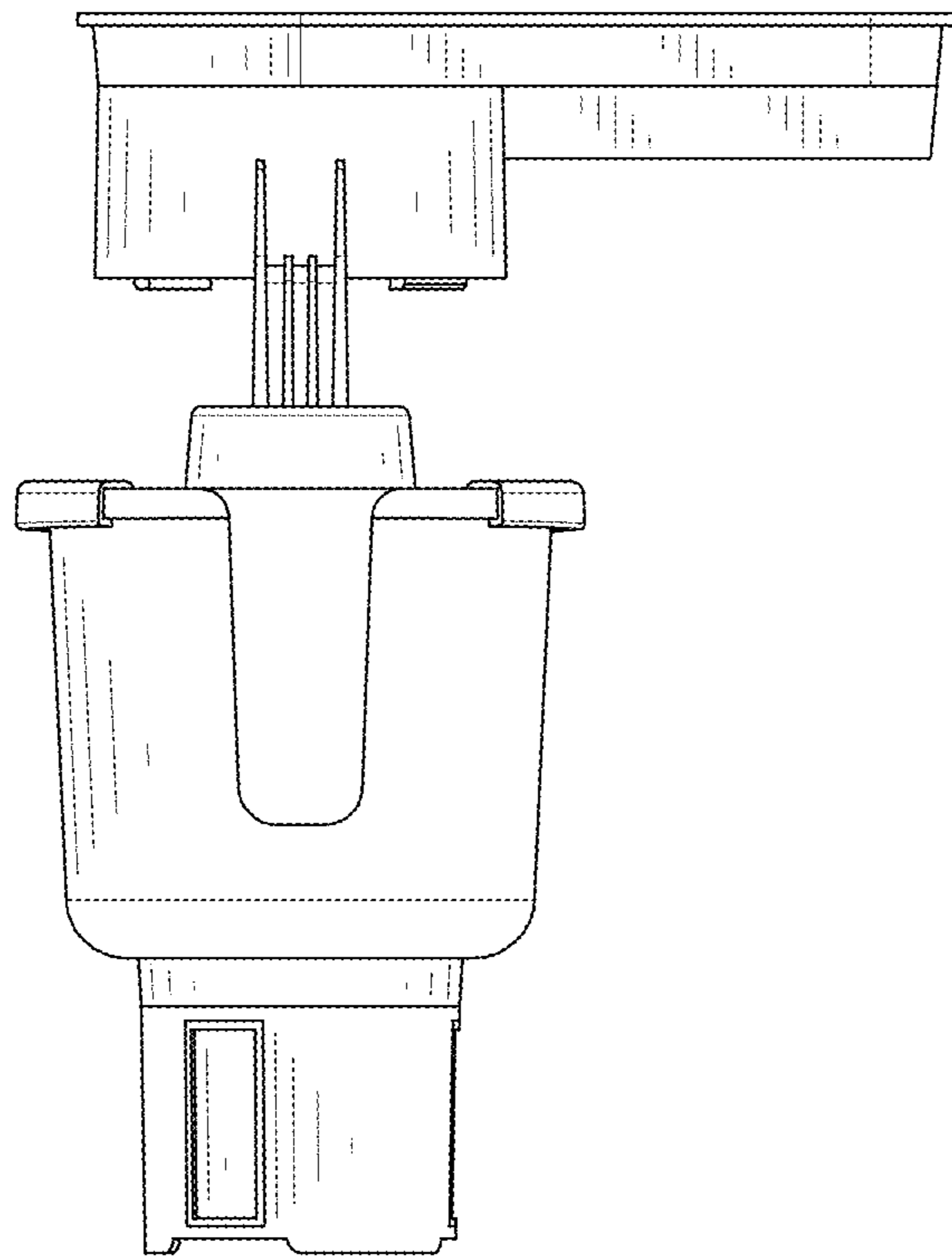


FIG. 6

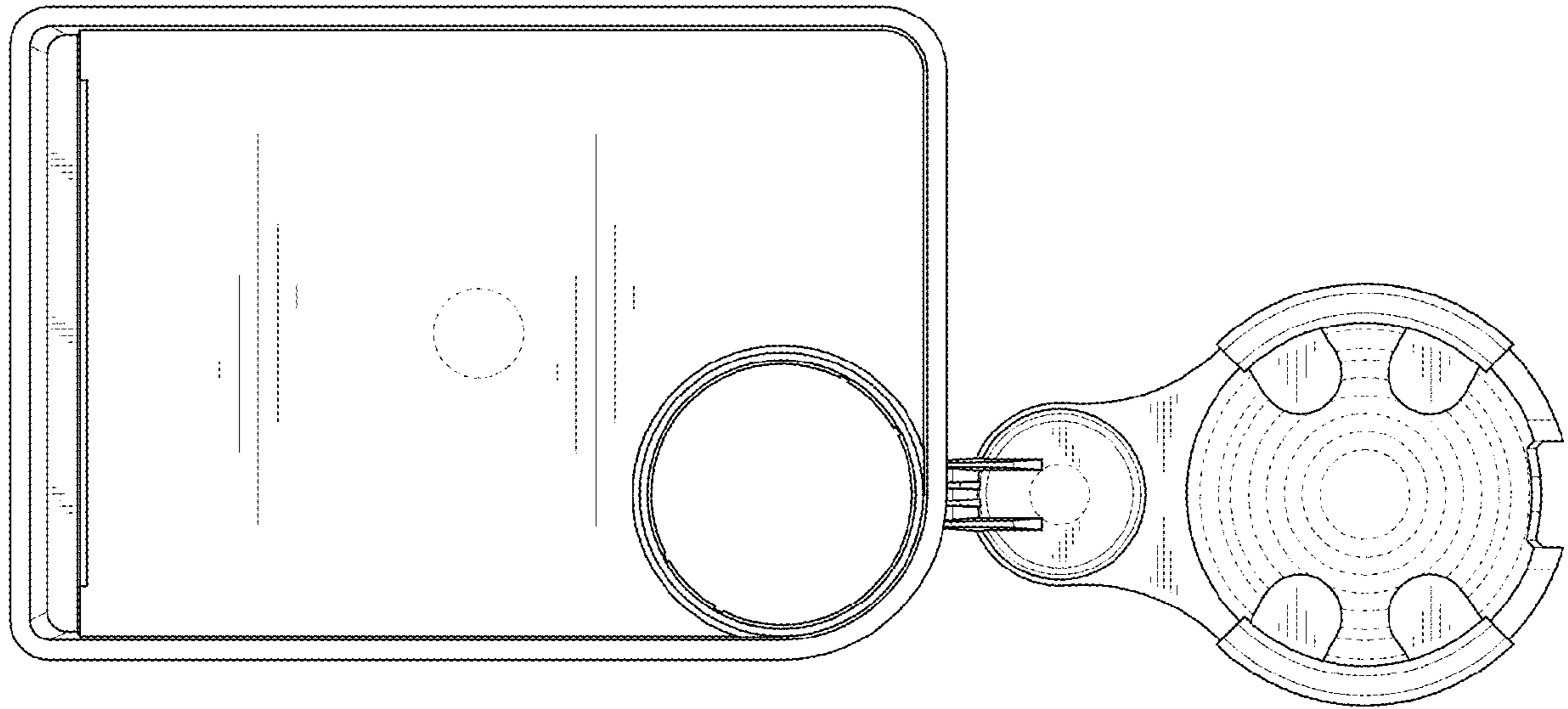


FIG. 7

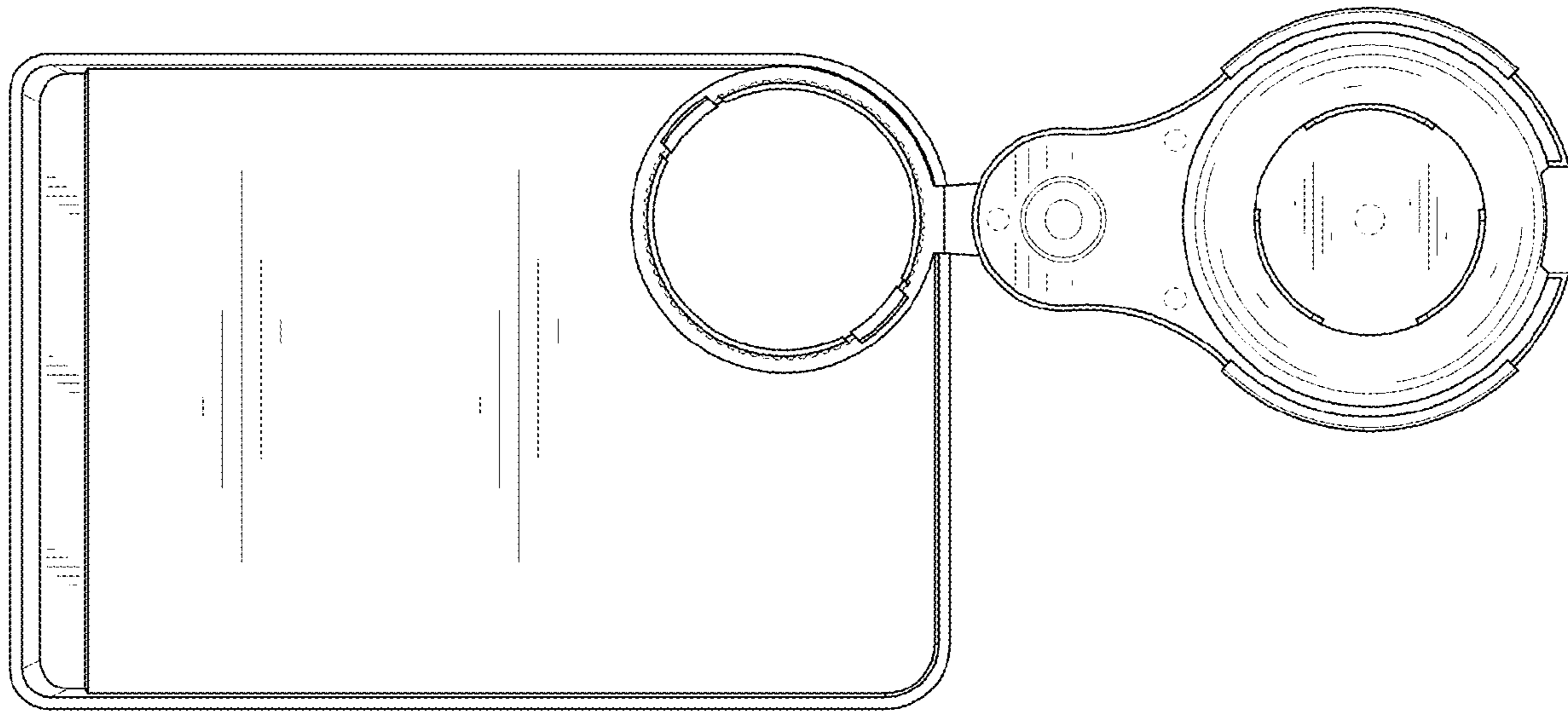


FIG. 8

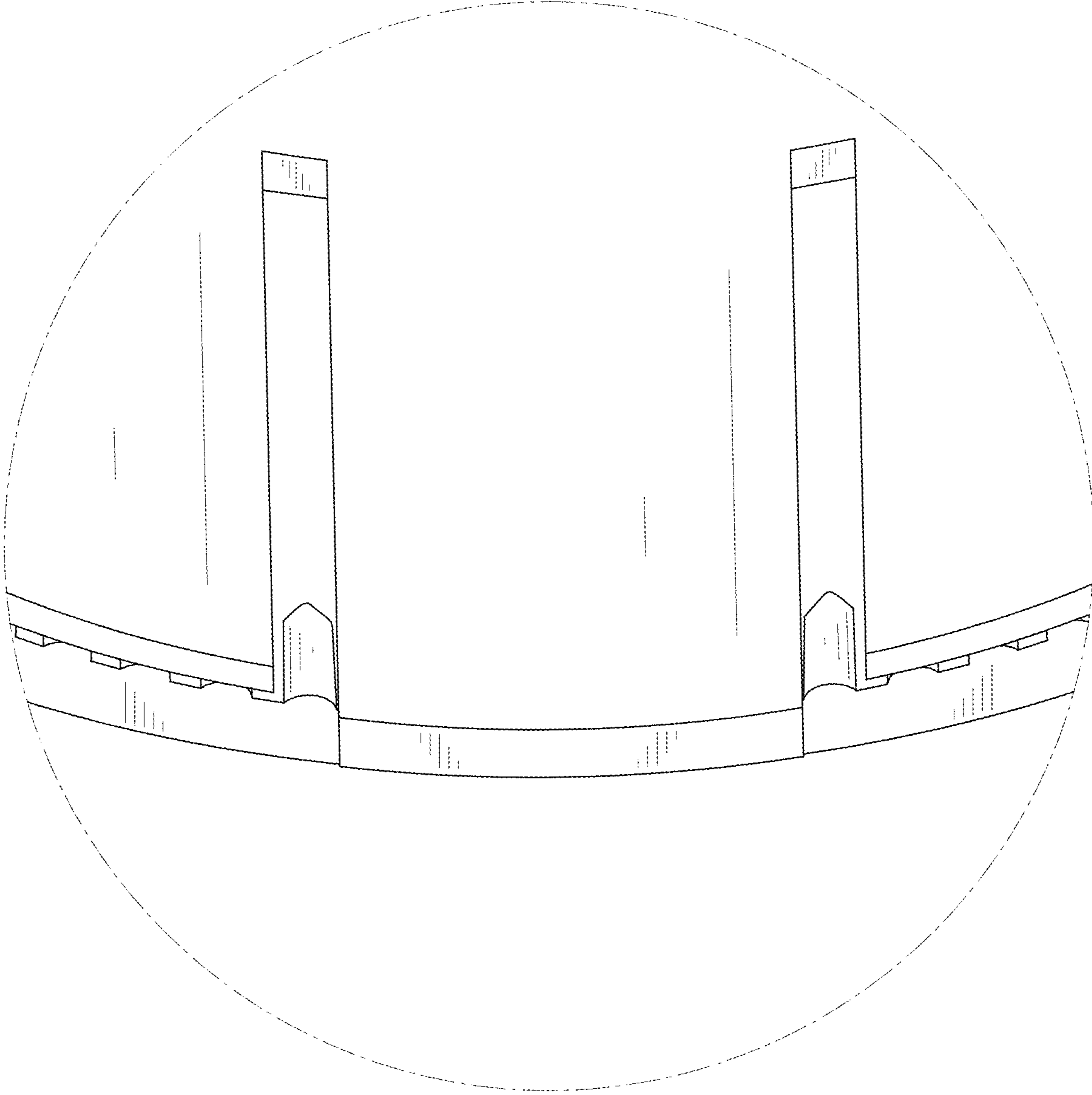


FIG. 9