



US00D970971S

(12) **United States Design Patent** (10) **Patent No.:** **US D970,971 S**  
**Haskins** (45) **Date of Patent:** **\*\* Nov. 29, 2022**

(54) **MUG**  
(71) Applicant: **Real Value LLC**, Moore, OK (US)  
(72) Inventor: **Nathaniel Haskins**, Redding, CA (US)  
(73) Assignee: **Real Value LLC**, Moore, OK (US)  
(\*\*) Term: **15 Years**

D925,290 S \* 7/2021 Melanson ..... D7/533  
D931,051 S \* 9/2021 Ames ..... D7/510  
D934,028 S \* 10/2021 Haskins ..... D7/510  
D939,281 S \* 12/2021 Kim ..... D7/510  
2021/0137315 A1\* 5/2021 Byun ..... A47J 45/067

(21) Appl. No.: **29/749,229**  
(22) Filed: **Sep. 3, 2020**  
(51) **LOC (13) Cl.** ..... **07-01**  
(52) **U.S. Cl.**  
USPC ..... **D7/536**  
(58) **Field of Classification Search**  
USPC ..... D7/507, 509, 510, 511, 529, 531, 532,  
D7/523, 533, 534, 535, 536, 392.1, 396.1,  
D7/396.2, 300.1, 608; D3/202; D9/500,  
D9/531, 516, 517, 549  
CPC ..... A47G 19/22; A47G 19/2288; A47G  
19/2205; A47J 41/0077; A47J 41/0088  
See application file for complete search history.

FOREIGN PATENT DOCUMENTS

CN 304475960 \* 1/2018  
CN 306757556 \* 8/2021

OTHER PUBLICATIONS

Simple Modern Lid [online] URL: <https://www.amazon.com/Simple-Modern-Voyager-Clear-Replacement/dp/B07SRKNGXB> (site visited: Jan. 27, 2022) (Year: 2020).\*

(Continued)

*Primary Examiner* — Jae Liang  
*Assistant Examiner* — Tia Ruth-Renee Polidori  
(74) *Attorney, Agent, or Firm* — Hall Estill Law Firm

(56) **References Cited**

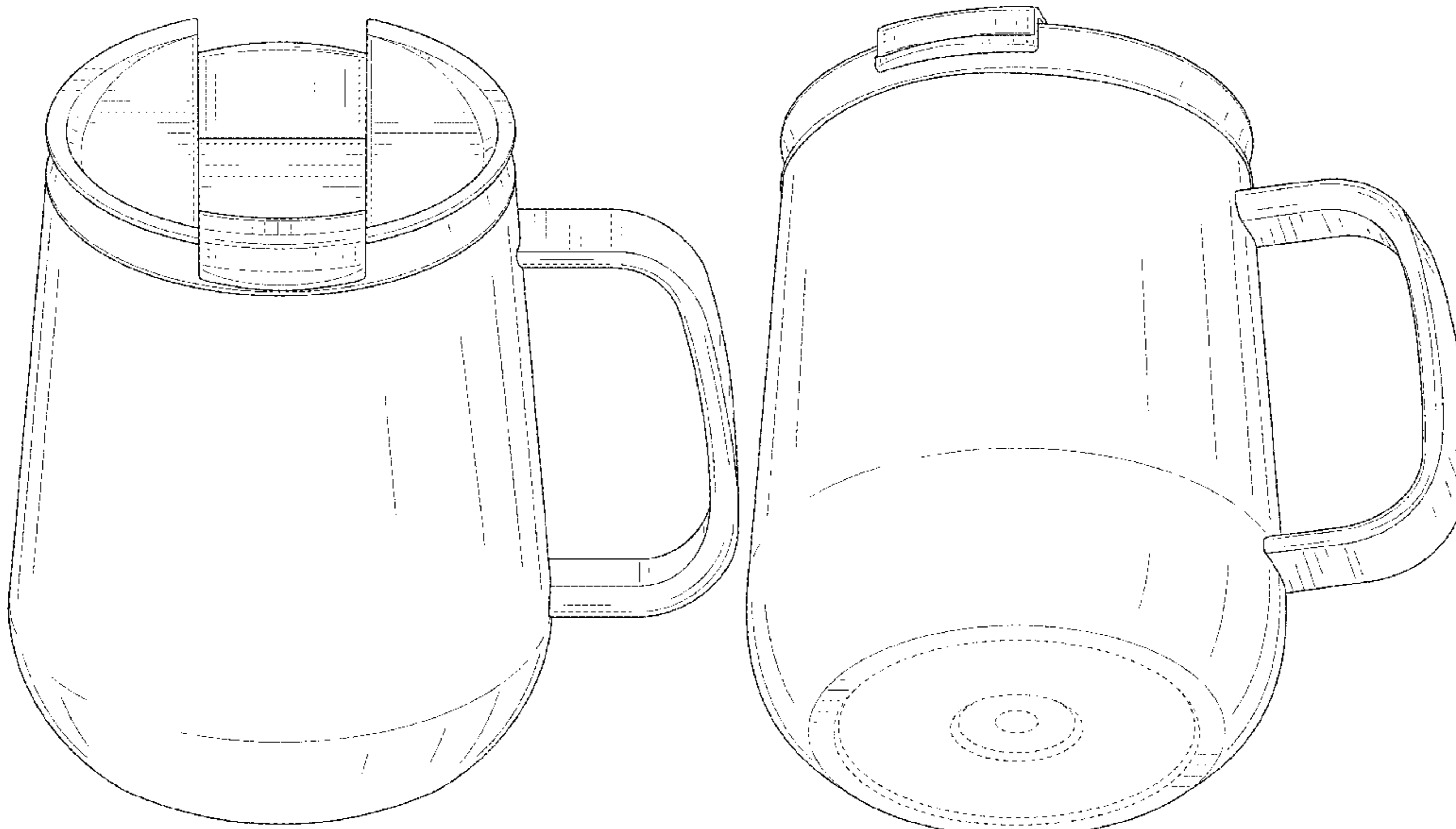
U.S. PATENT DOCUMENTS

D202,643 S \* 10/1965 Hoyt ..... D7/536  
5,573,141 A \* 11/1996 Chen ..... A47G 19/2288  
220/613  
D456,212 S \* 4/2002 Bridges ..... D7/510  
D563,169 S \* 3/2008 Gibbons ..... D7/510  
D597,378 S \* 8/2009 Poindexter ..... D7/536  
D651,855 S \* 1/2012 Elsaden ..... D7/510  
D713,206 S \* 9/2014 Lane ..... D7/533  
D771,439 S \* 11/2016 Miller ..... D7/532  
D789,737 S \* 6/2017 Eyal ..... D7/300.1  
D815,904 S \* 4/2018 Lane ..... D7/510  
D844,382 S \* 4/2019 Seiders ..... D7/532  
D844,383 S \* 4/2019 Seiders ..... D7/532  
D887,215 S \* 6/2020 Winkelmann ..... D7/509  
D914,455 S \* 3/2021 Haskins ..... D7/510

DESCRIPTION

FIG. 1 is a top, perspective view of my new design for a mug.  
FIG. 2 is a bottom, perspective view thereof.  
FIG. 3 is a front elevation view thereof.  
FIG. 4 is a rear elevation of view thereof.  
FIG. 5 is a left side elevation view thereof.  
FIG. 6 is right side elevation view thereof.  
FIG. 7 is a top plan view thereof; and,  
FIG. 8 is a bottom plan view thereof.  
The broken lines in the drawings illustrate portions of the mug that form no part of the claimed design.

**1 Claim, 7 Drawing Sheets**



(56)

**References Cited**

OTHER PUBLICATIONS

IDEUS [online] URL: <https://www.amazon.com/dp/B09BZDSTGK>  
(site visited: Jan. 27, 2022) (Year: 2021).\*

Simple Modern [online] URL: <https://www.amazon.com/Simple-Modern-Insulated-Voyager-Travel/dp/B09BBRZ8YV> (site visited: Jan. 27, 2022) (Year: 2021).\*

Nordic [online] URL: <https://shopee.sg/%E2%9D%88European-style-large-capacity-ceramic-water-cup-Simple-couple-mug-large-size-Nordic-retro-coffee-cup-pot-bellied-cup-i.504589432.10252004914> (site visited: Jan. 27, 2022) (Year: 2022).\*

\* cited by examiner



FIG. 1

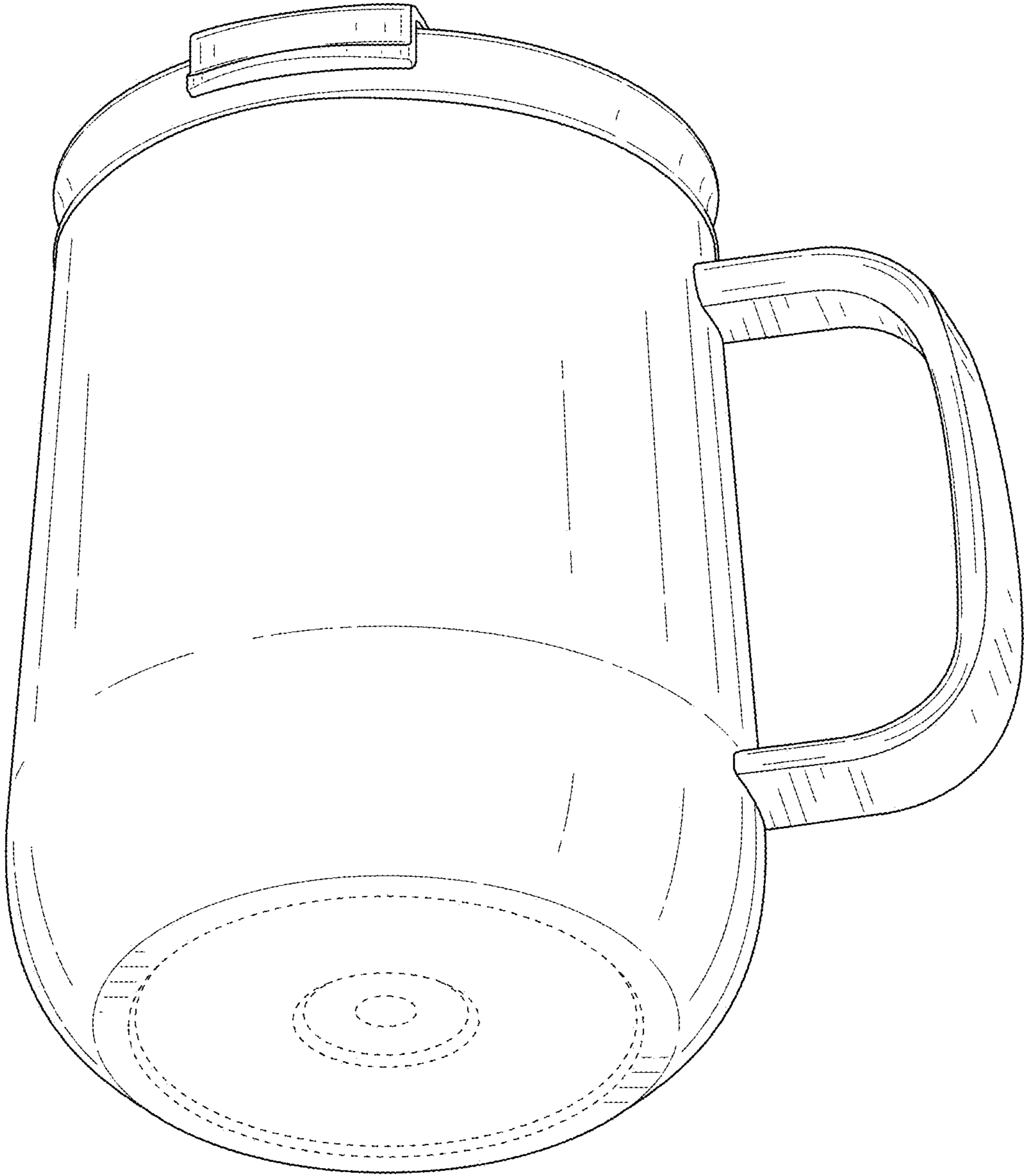


FIG. 2

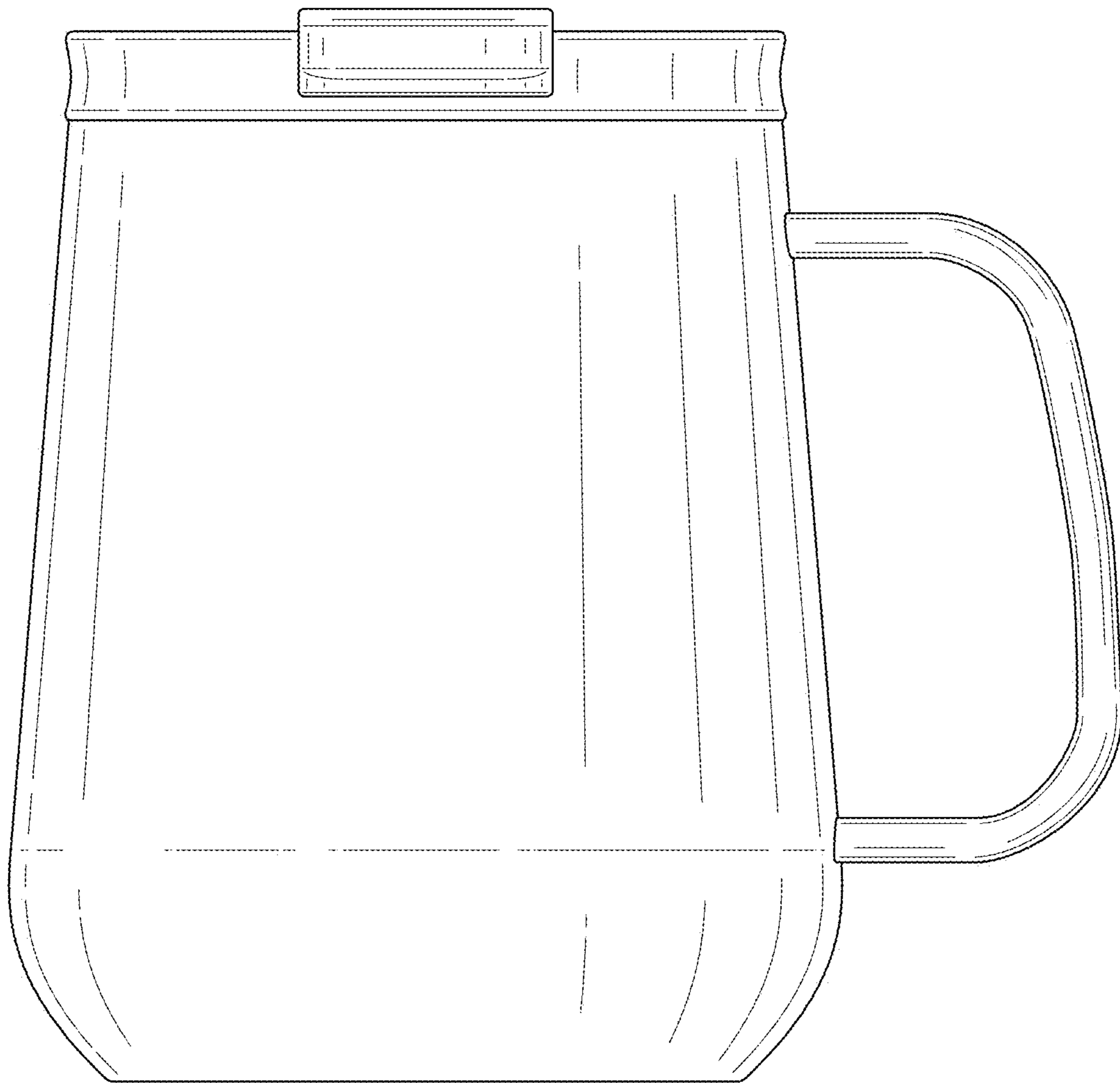


FIG. 3

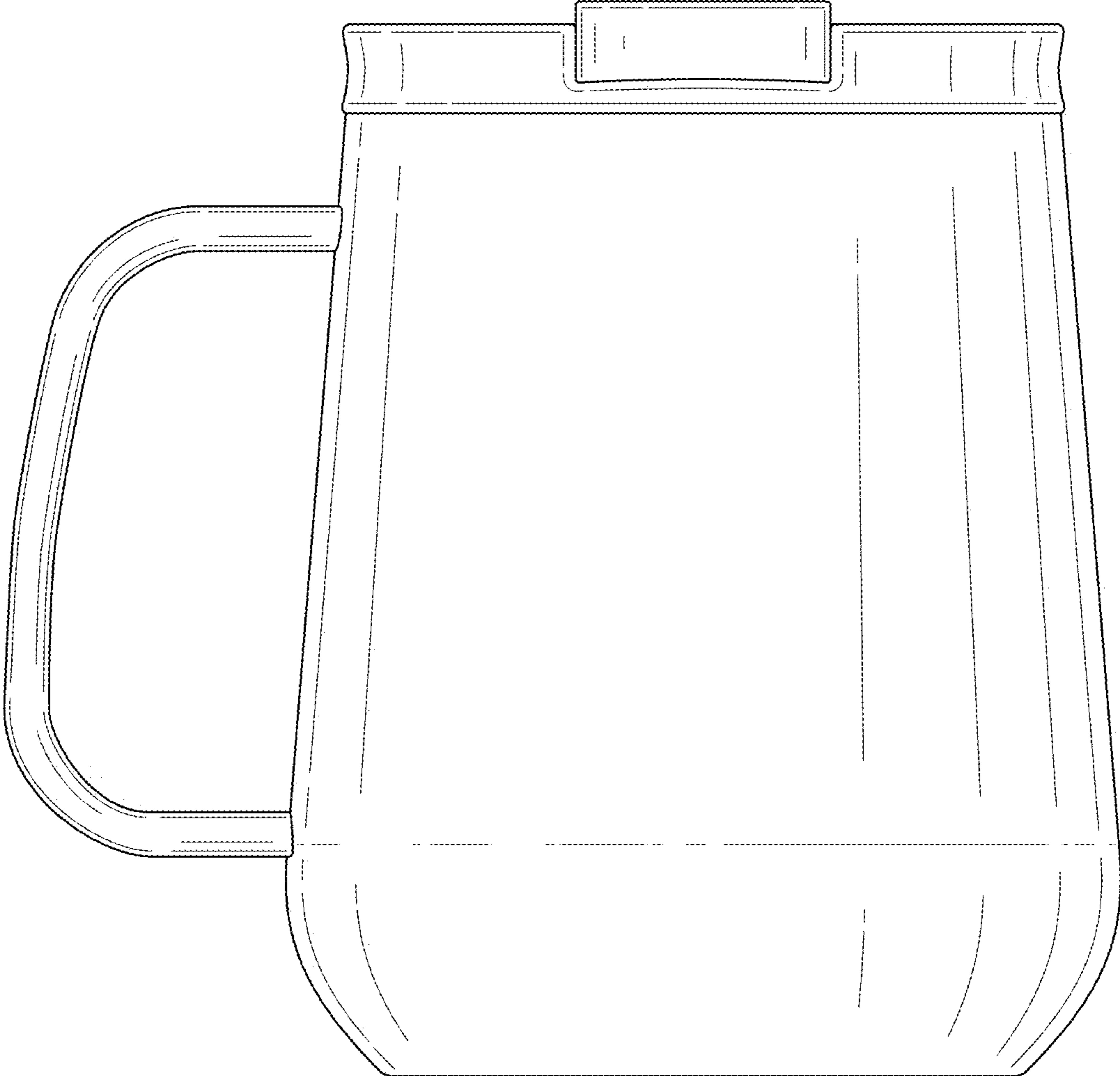


FIG. 4

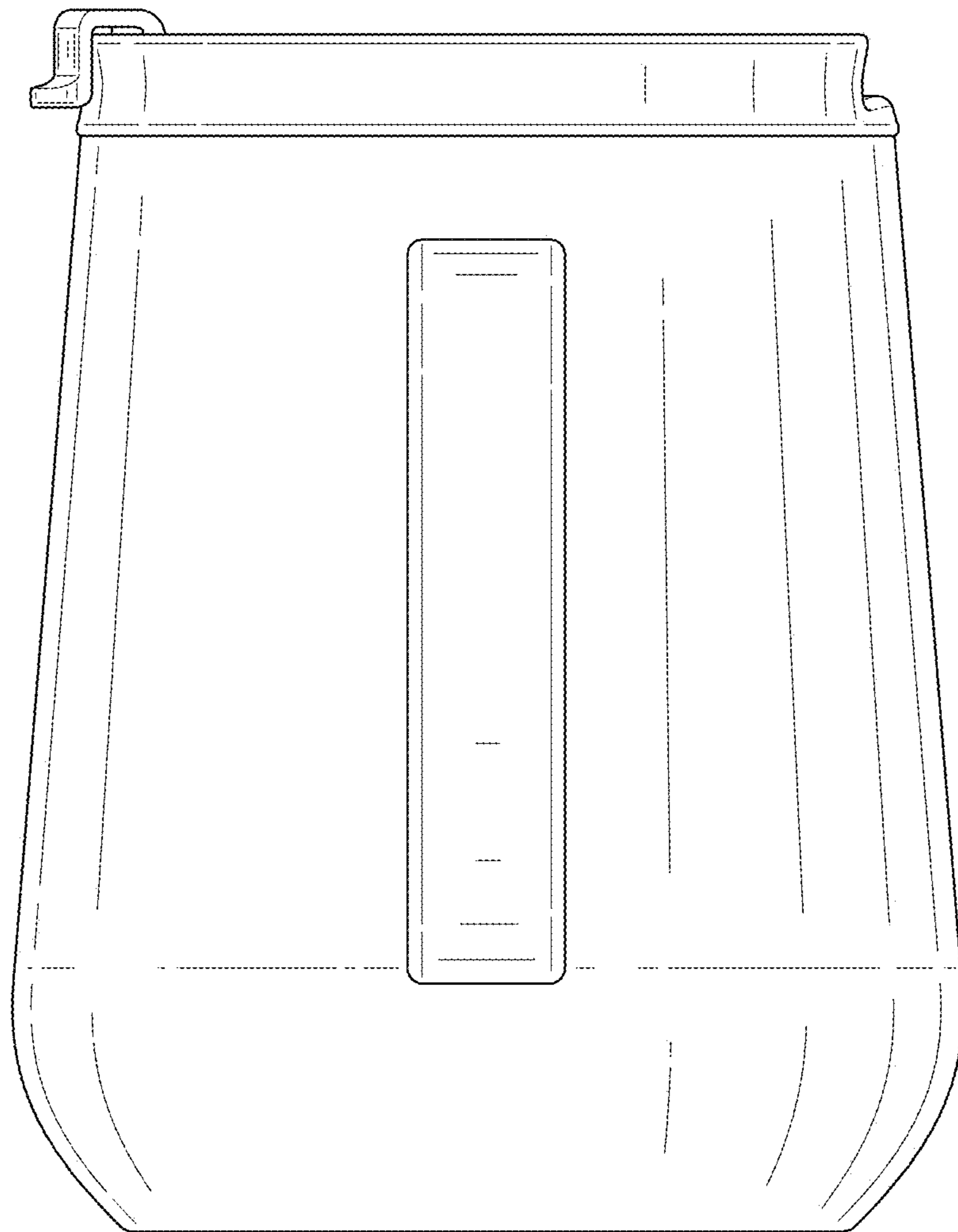


FIG. 5

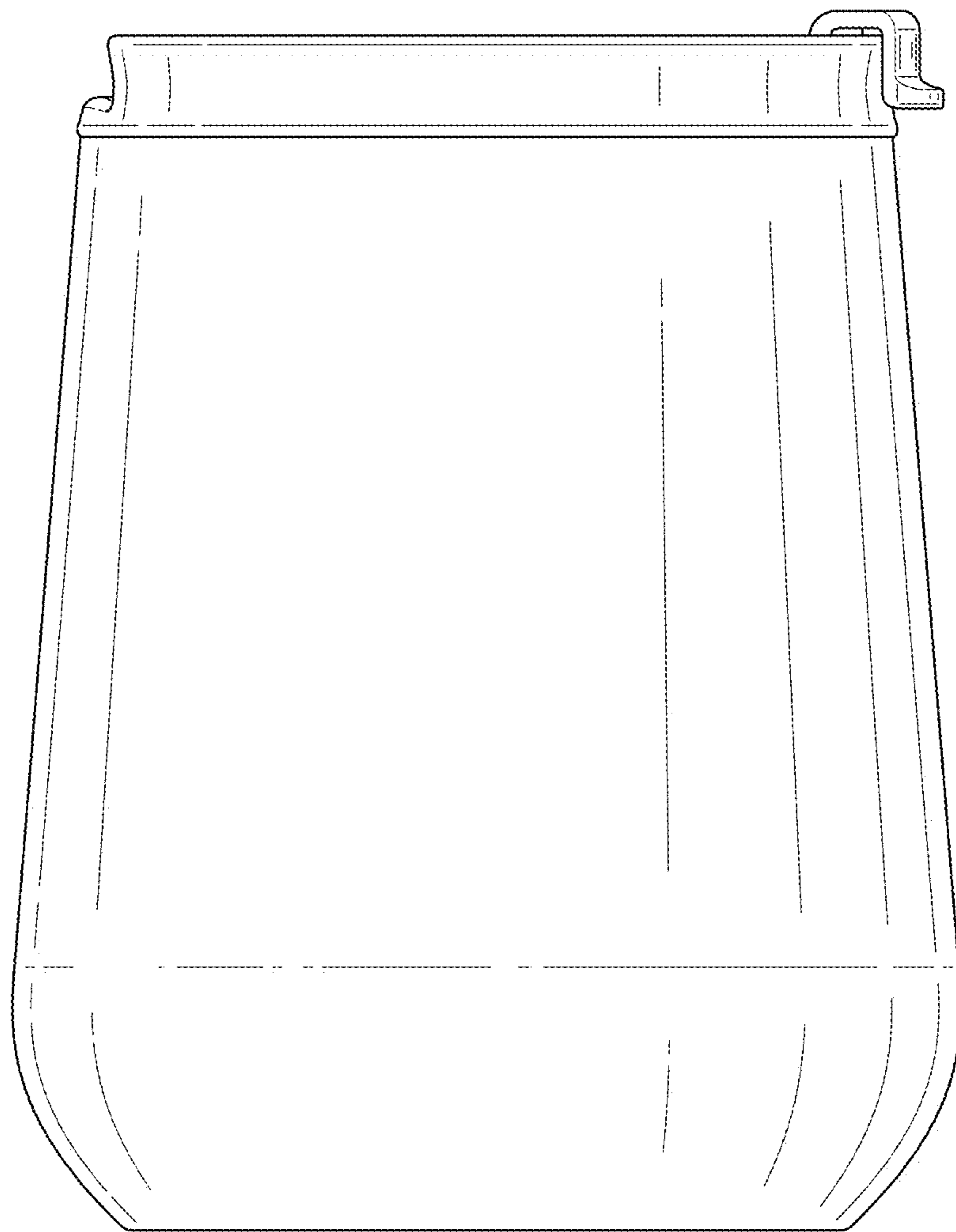


FIG. 6



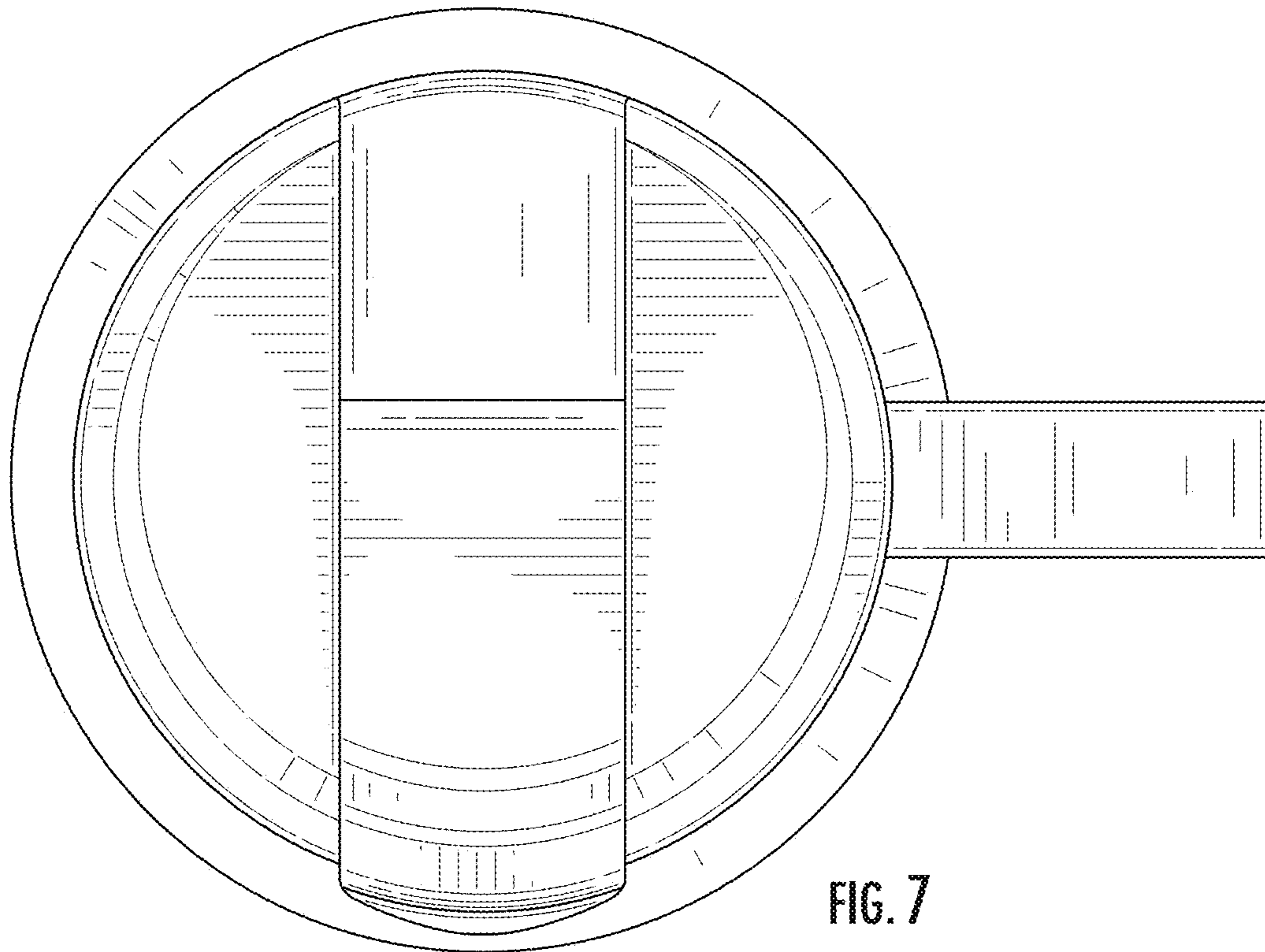


FIG. 7

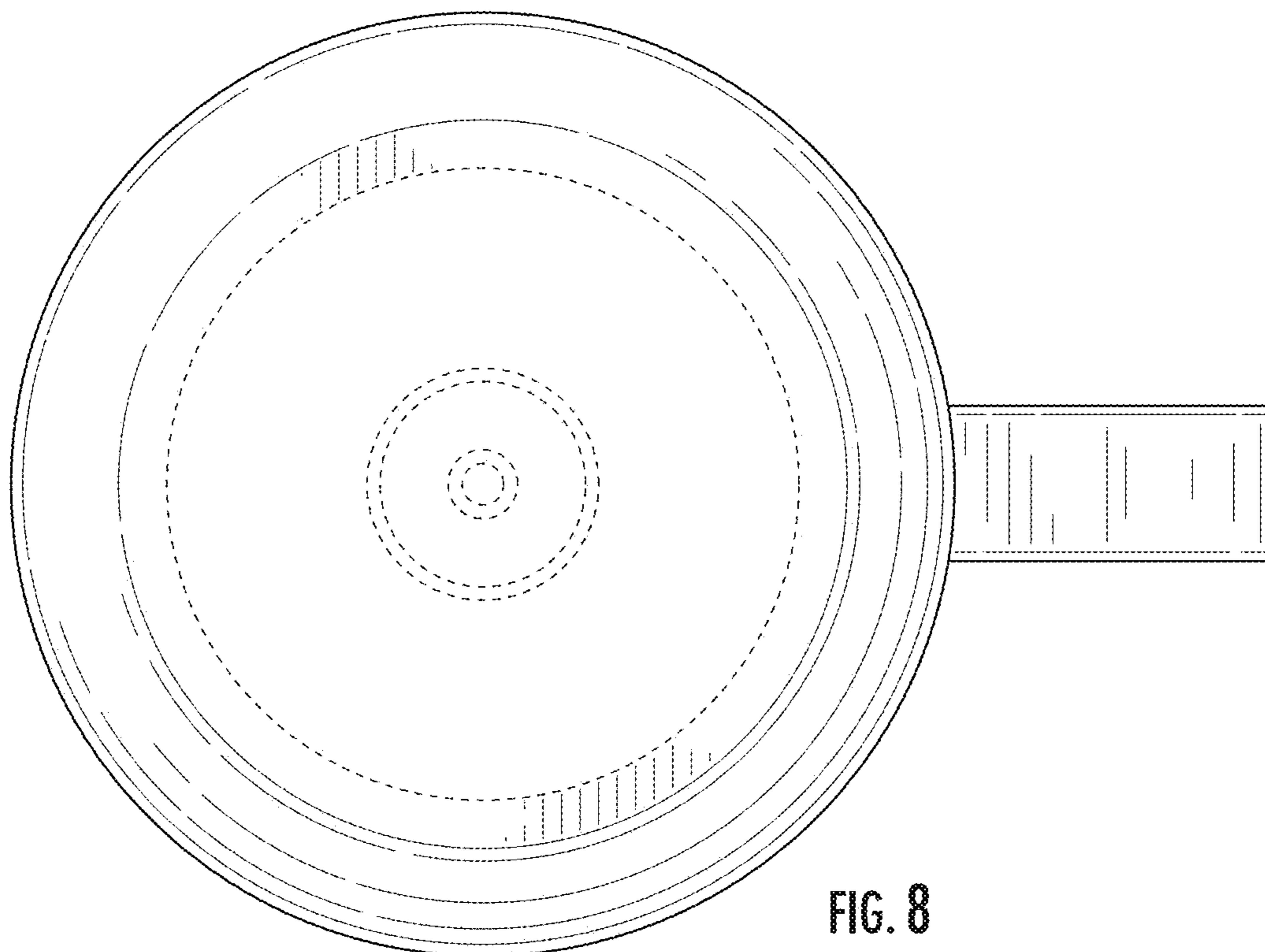


FIG. 8