



US00D970969S

(12) **United States Design Patent** (10) **Patent No.:** **US D970,969 S**  
**Xia** (45) **Date of Patent:** **\*\* Nov. 29, 2022**

(54) **WATER BOTTLE WITH SLANTING MOUTH**  
(71) Applicant: **Zhejiang Feijian Industry And Trade Co., Ltd., Jinhua (CN)**  
(72) Inventor: **Feijian Xia, Yongkang (CN)**  
(73) Assignee: **Zhejiang Feijian Industry And Trade Co., Ltd., Zhejiang (CN)**

6,305,562 B1 \* 10/2001 Chan ..... A61J 9/00  
215/11.1  
6,499,615 B1 \* 12/2002 Szieff ..... A61J 9/00  
215/11.1  
D475,626 S \* 6/2003 Barrow ..... D9/526  
D510,871 S \* 10/2005 Nielson ..... D9/527  
7,100,785 B1 \* 9/2006 Suffa ..... B65D 47/123  
215/217  
D668,542 S \* 10/2012 Thurin ..... D9/452  
(Continued)

(\*\*) Term: **15 Years**

FOREIGN PATENT DOCUMENTS

(21) Appl. No.: **29/824,112**

CN 304136641 \* 5/2017  
CN 304326209 \* 10/2017  
KR 300941615.0000 \* 1/2018

(22) Filed: **Jan. 21, 2022**

(51) **LOC (13) Cl.** ..... **07-01**

(52) **U.S. Cl.**

USPC ..... **D7/511**

(58) **Field of Classification Search**

USPC ..... D7/387, 392.1, 396.2, 396.3, 507, 509,  
D7/510, 511, 523, 528, 532, 591, 605,  
D7/606, 607, 608, 624.1, 624.2, 629;  
D9/434, 435, 436, 440, 447, 449, 454,  
D9/503, 516, 517, 523, 529, 537, 549,  
D9/905; D24/197

CPC ..... A45F 3/16; A47G 19/22; A47G 19/2227;  
A47G 19/2272; A47G 19/2205; A47G  
19/2288; A47J 41/00; A47J 41/0005;  
A47J 41/0072; B65D 1/023; B65D  
41/0485; B65D 43/00; B65D 43/24;  
B65D 50/061; B65D 81/38; B65D  
81/3841; B65D 81/3844; B65D 81/3869;  
B65D 81/3881; F25D 3/06; F25D 3/08

See application file for complete search history.

(56) **References Cited**

U.S. PATENT DOCUMENTS

357,439 A \* 2/1887 Wheelock ..... A61J 9/00  
215/11.5  
D316,754 S \* 5/1991 Lau ..... D24/197  
6,073,788 A \* 6/2000 Stroud ..... A61J 9/00  
215/11.1

OTHER PUBLICATIONS

CamelBak Water Bottle, posted at Amazon.com on Jan. 13, 2020, [site visited Sep. 9, 2022]. Available from internet, URL: <<https://www.amazon.com/Chute-Vacuum-Insulated-Stainless-Bottle/dp/B07XRXFWD4/>> (Year: 2020).\*

*Primary Examiner* — Andrew Kerr  
*Assistant Examiner* — Chariton Alexakis  
(74) *Attorney, Agent, or Firm* — ScienBiziP, P.C.

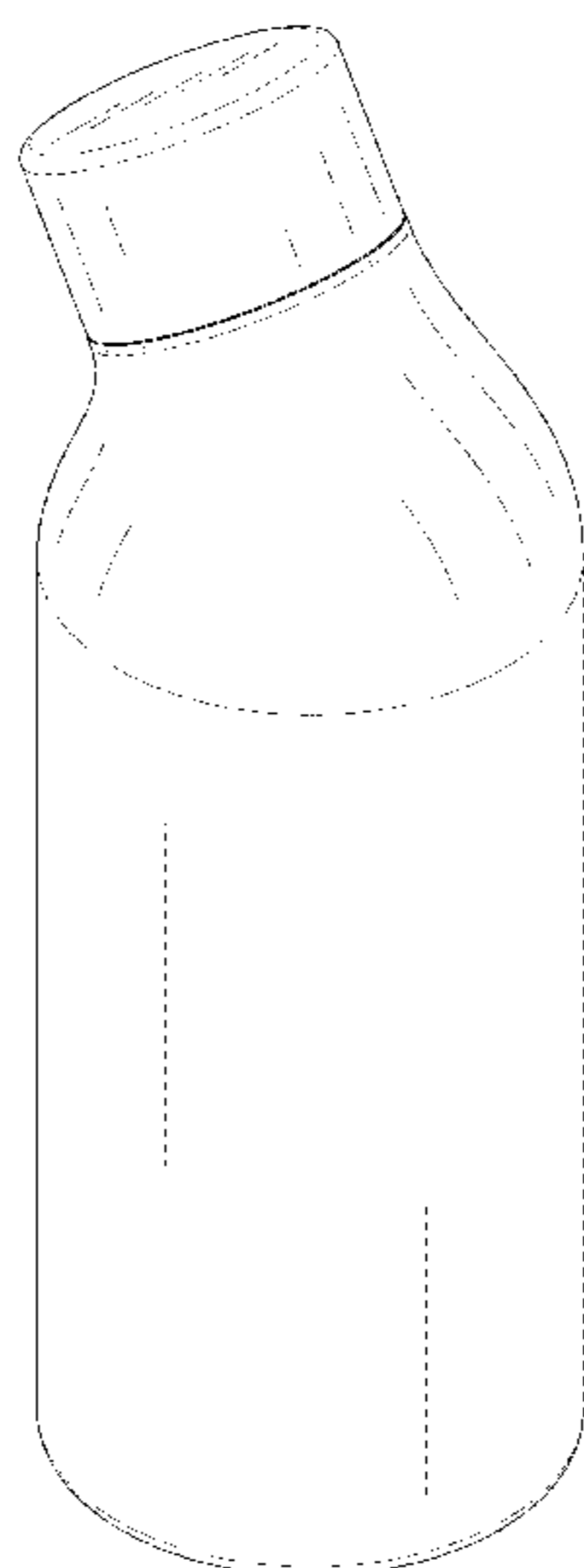
(57) **CLAIM**

The ornamental design for a water bottle with slanting mouth, as shown and described.

**DESCRIPTION**

FIG. 1 is a front, right and top perspective view of a water bottle with slanting mouth, showing my design.  
FIG. 2 is a rear, left and bottom perspective view thereof.  
FIG. 3 is a front elevation view thereof.  
FIG. 4 is a rear elevation view thereof.  
FIG. 5 is a left side elevation view thereof.  
FIG. 6 is a right side elevation view thereof.  
FIG. 7 is a top plan view thereof; and,  
FIG. 8 is a bottom plan view thereof.

**1 Claim, 8 Drawing Sheets**



(56)

**References Cited**

U.S. PATENT DOCUMENTS

D702,092 S	*	4/2014	Mettler .....	D7/608
D739,247 S	*	9/2015	McDonnell .....	D9/563
D768,865 S	*	10/2016	Dean .....	D24/197
D904,895 S	*	12/2020	Lo .....	D9/689
D910,861 S	*	2/2021	Cannon .....	D24/197
D937,630 S		12/2021	Eisen	
D939,355 S		12/2021	Li	

\* cited by examiner

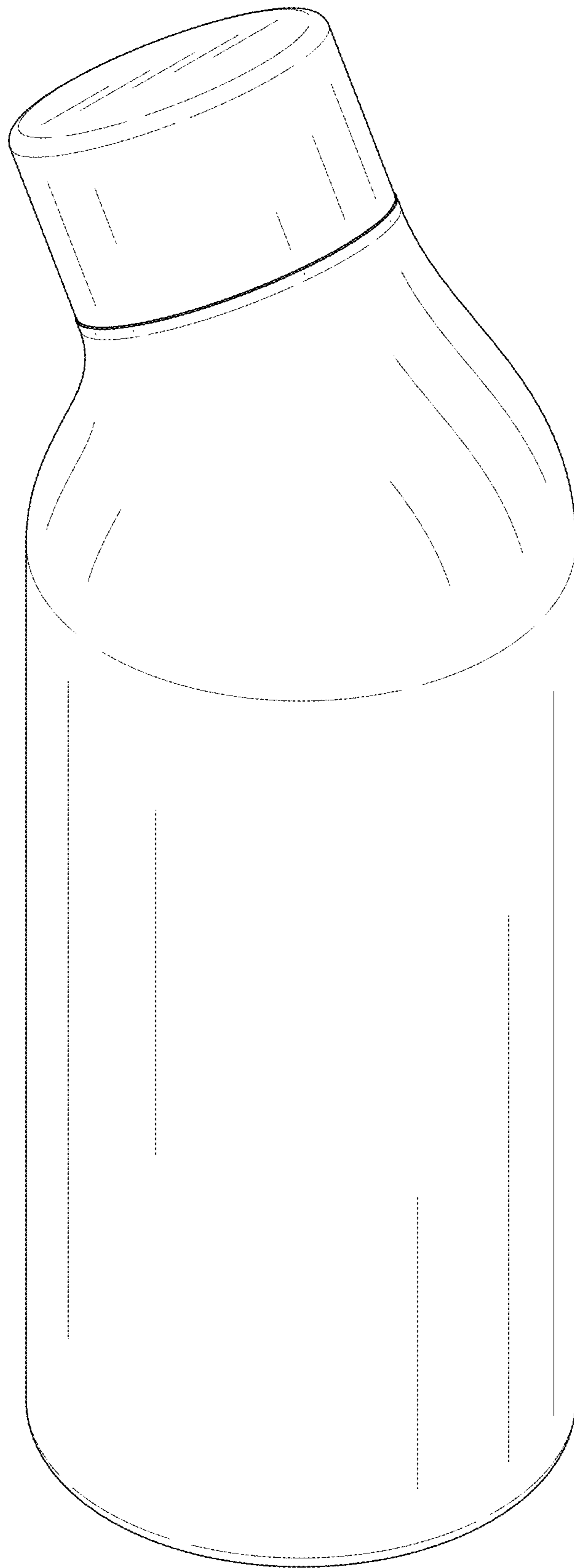


FIG. 1

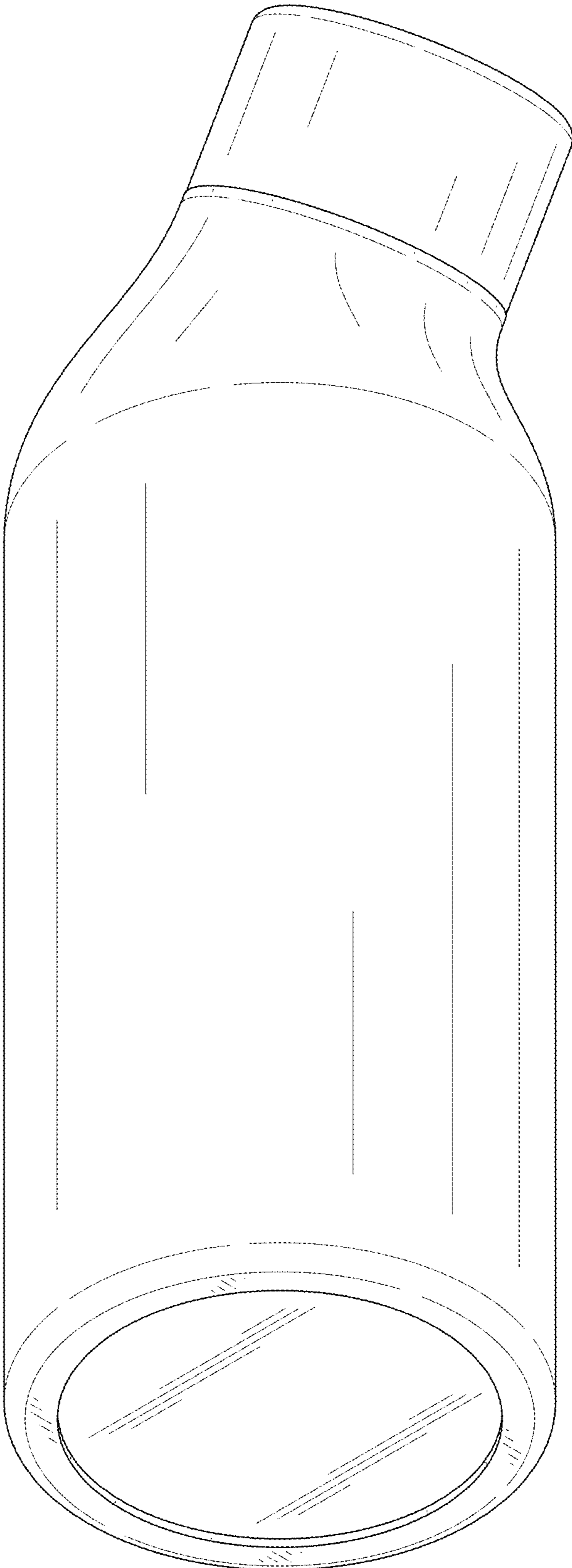


FIG. 2

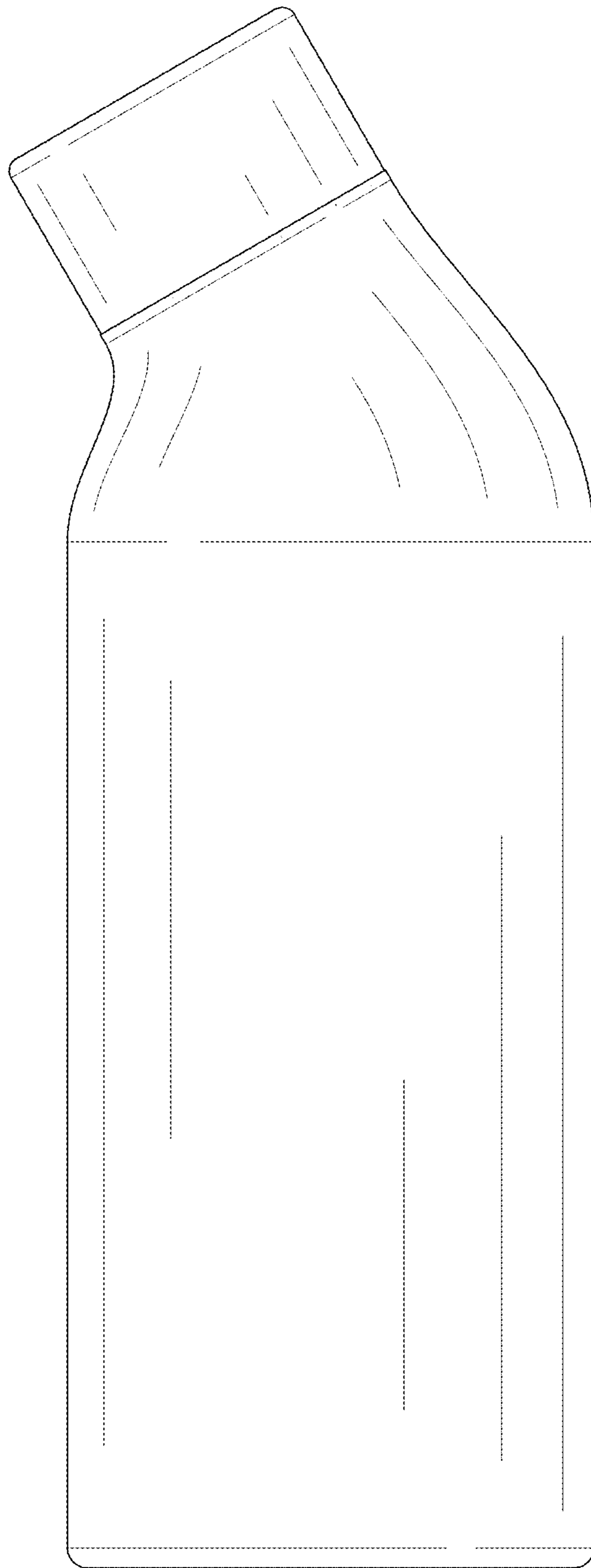


FIG. 3

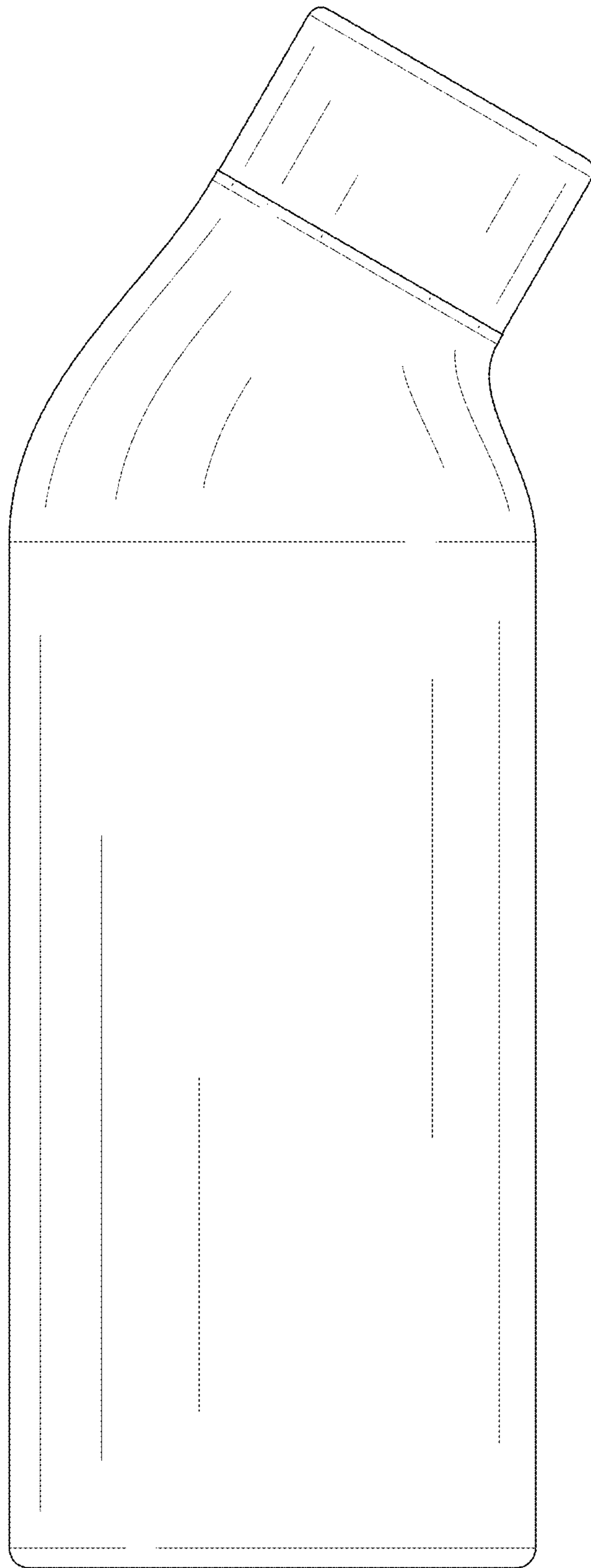


FIG. 4

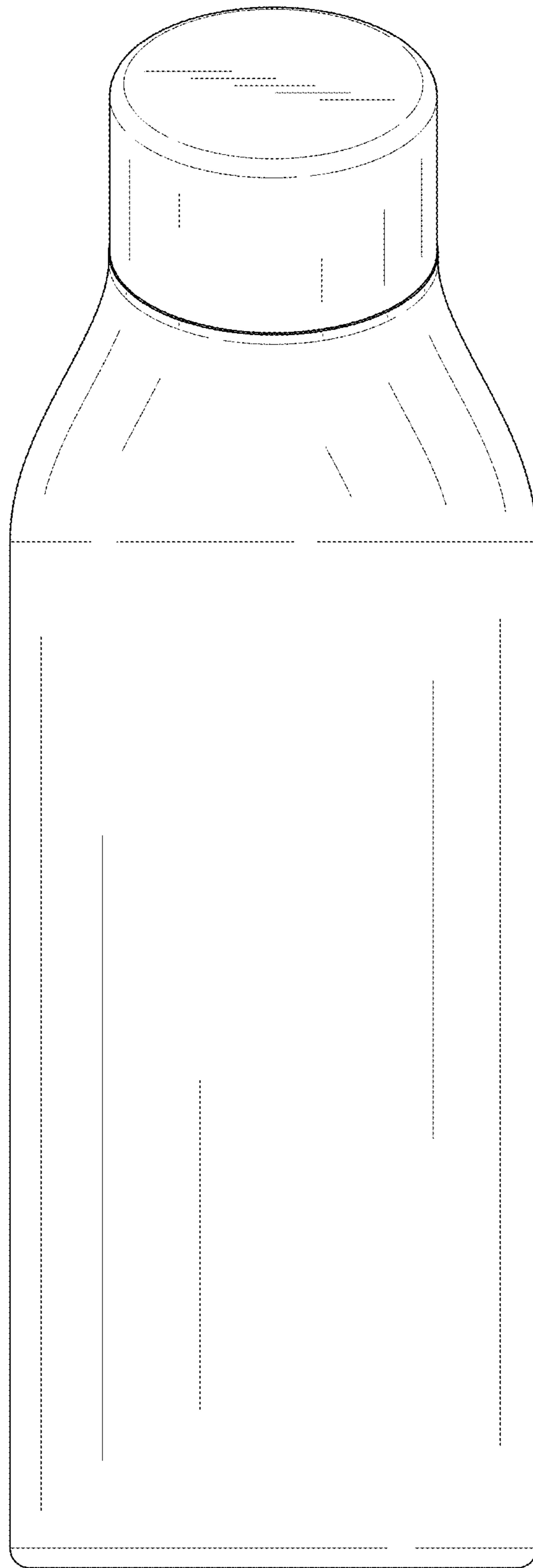


FIG. 5

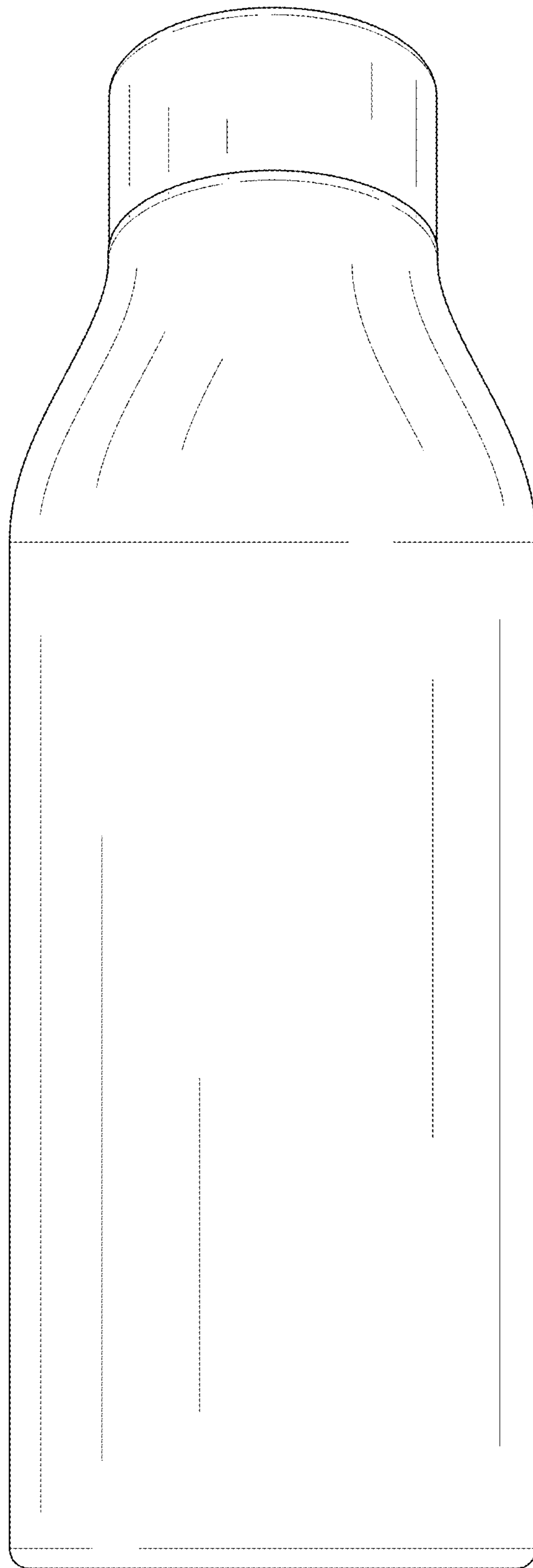


FIG. 6



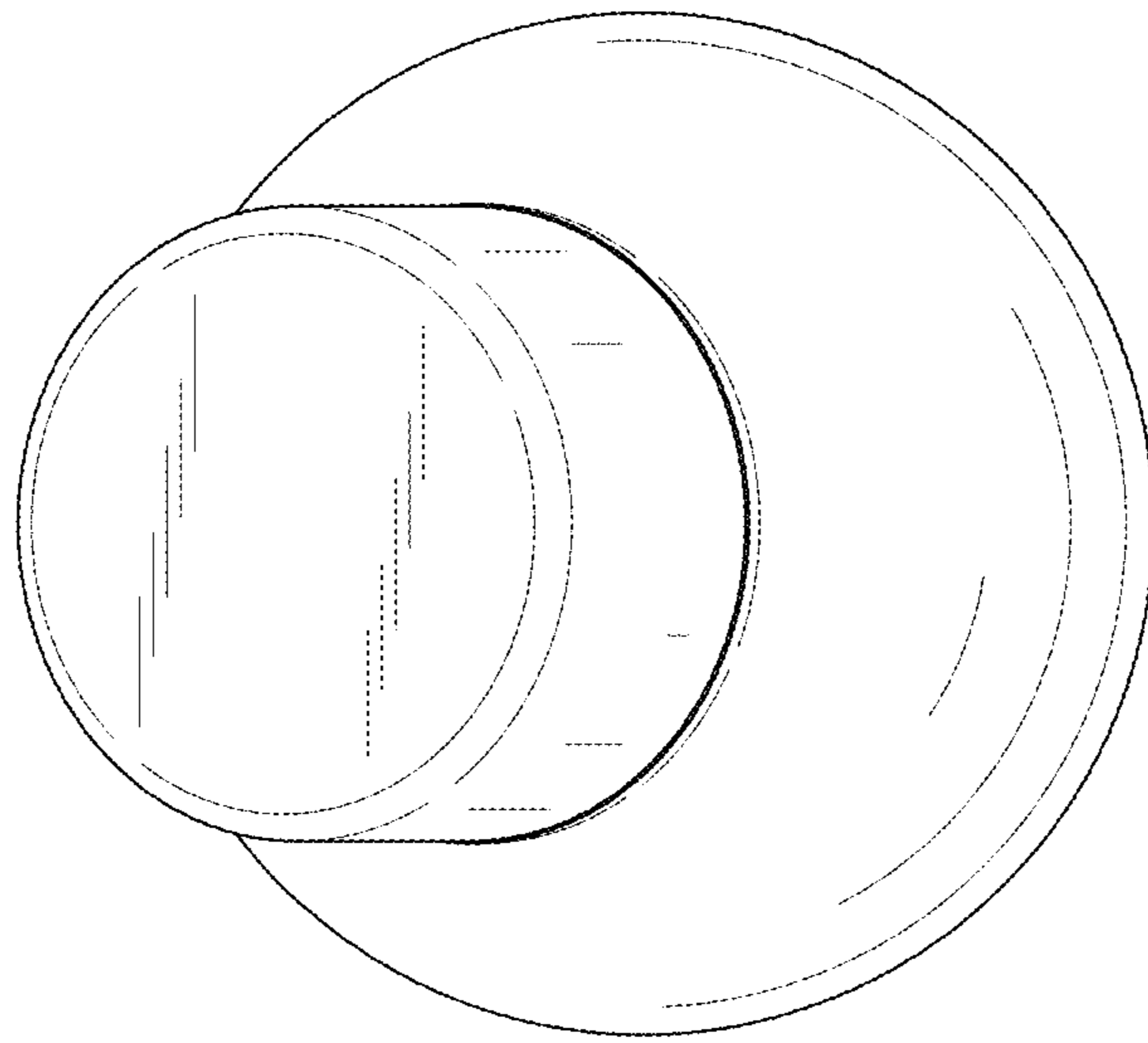


FIG. 7

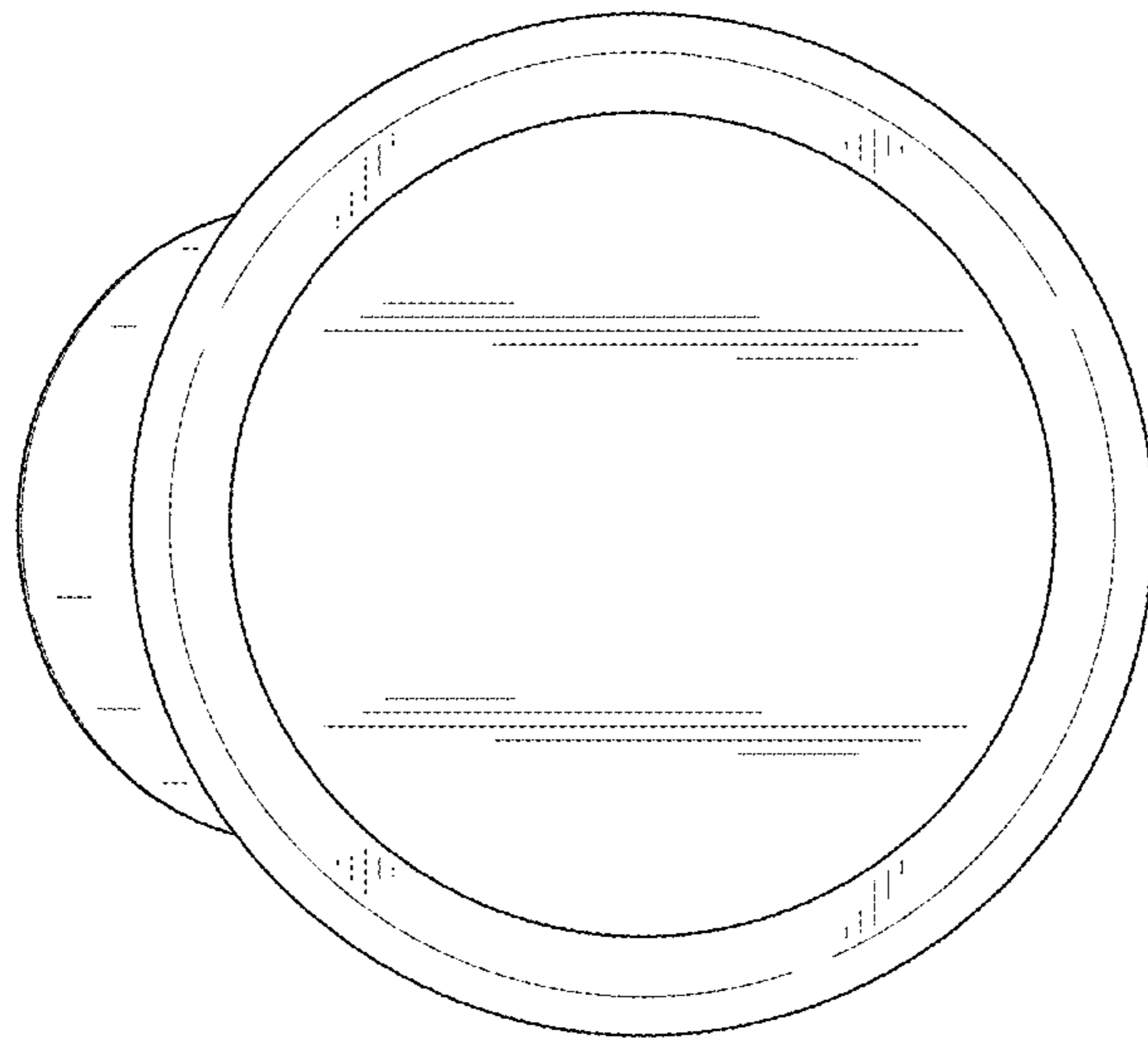


FIG. 8