



US00D970968S

(12) **United States Design Patent** (10) **Patent No.:** **US D970,968 S**
Gu (45) **Date of Patent:** **** Nov. 29, 2022**

(54) **COFFEE MUG**

(74) *Attorney, Agent, or Firm* — Runit Ranjit Kanakia

(71) Applicant: **Shenzhen Reekoos Houseware Co., Ltd.**, Shenzhen (CN)

(57) **CLAIM**

The ornamental design for a coffee mug, as shown and described.

(72) Inventor: **Weiliang Gu**, Shenzhen (CN)

(**) Term: **15 Years**

DESCRIPTION

(21) Appl. No.: **29/809,192**

FIG. 1 is a front elevational view of a coffee mug showing my new design;

(22) Filed: **Sep. 27, 2021**

FIG. 2 is a rear elevational view thereof;

(51) **LOC (13) Cl.** **07-01**

FIG. 3 is a left side elevational view thereof;

(52) **U.S. Cl.**

FIG. 4 is a right side elevational view thereof;

USPC **D7/511**; D9/776; D7/532

FIG. 5 is a top plan view thereof;

(58) **Field of Classification Search**

FIG. 6 is a bottom plan view thereof;

USPC D3/202; D9/612, 680, 776; D22/116, D22/108; D27/183; D7/507, 514, 523,

FIG. 7 is a top perspective view thereof;

(Continued)

FIG. 8 is a bottom perspective view thereof;

(56) **References Cited**

FIG. 9 is a another top perspective view thereof, shown with the lid of a coffee mug in an open configuration;

U.S. PATENT DOCUMENTS

FIG. 10 is an exploded top perspective view of the coffee mug of FIG. 1;

D56,061 S * 8/1920 French D7/608
D217,334 S * 4/1970 Weekman D9/558

FIG. 11 is an exploded bottom perspective view thereof;

(Continued)

FIG. 12 is a front elevational view of the lid of a coffee mug shown separately;

FOREIGN PATENT DOCUMENTS

CN 303708008 * 6/2016
CN 304441690 * 1/2018

FIG. 13 is a rear elevational view thereof;

(Continued)

FIG. 14 is a left side elevational view thereof;

OTHER PUBLICATIONS

Camelbak [online] URL: <https://www.target.com/p/camelbak-12oz-vacuum-insulated-stainless-steel-tumbler/-/A-80813677> (site visited: Jun. 8, 2022) (Year: 2020).*

FIG. 15 is a right side elevational view thereof;

(Continued)

FIG. 16 is a top plan view thereof;

Primary Examiner — Jae Liang

FIG. 17 is a bottom plan view thereof;

Assistant Examiner — Tia Ruth-Renee Polidori

FIG. 18 is a top perspective view thereof;

FIG. 19 is a bottom perspective view thereof;

FIG. 20 is a front elevational view of my new design for a coffee mug shown with the lid removed;

FIG. 21 is a top plan view thereof;

FIG. 22 is a bottom plan view thereof;

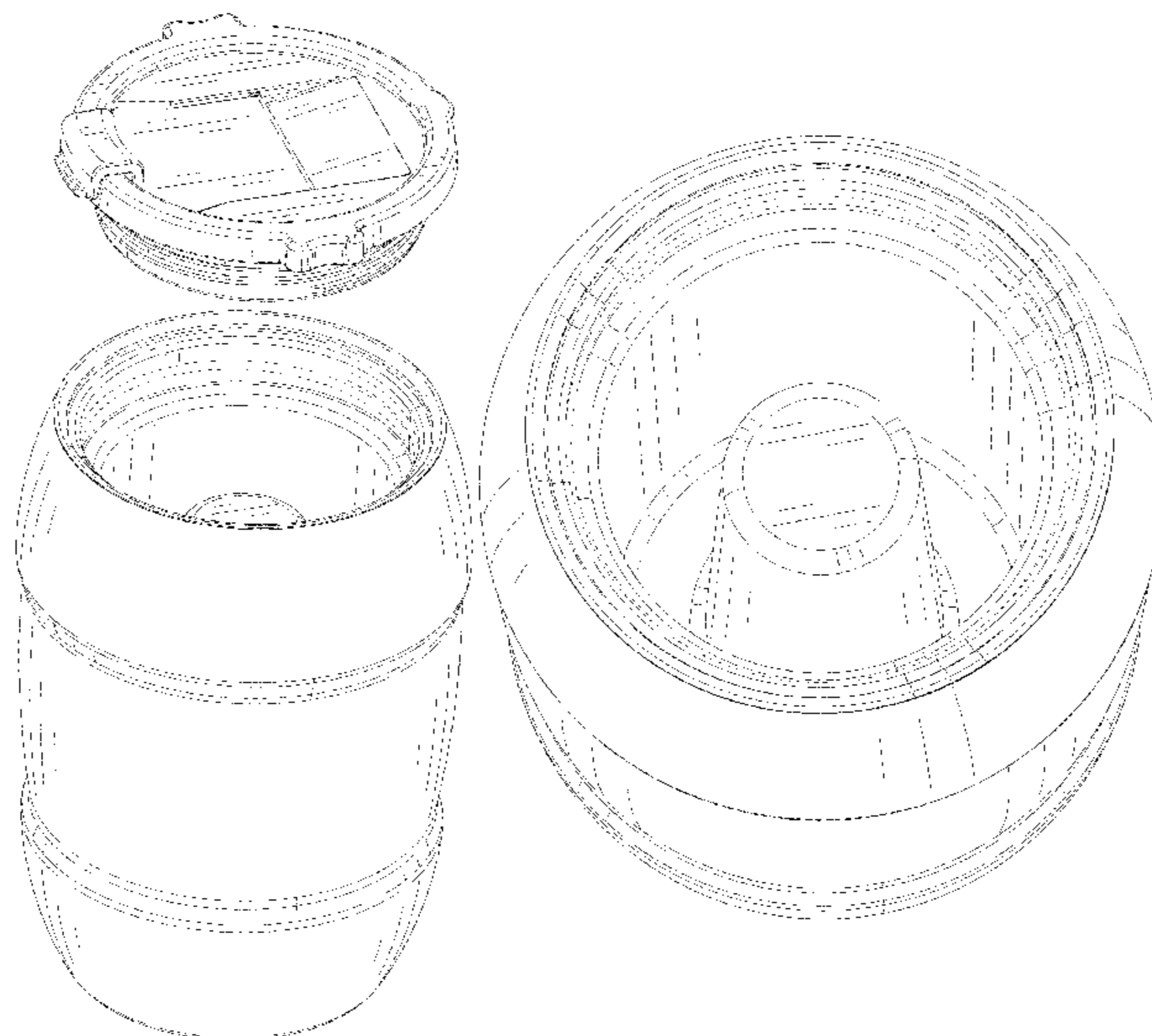
FIG. 23 is a top perspective view thereof;

FIG. 24 is another top perspective view thereof; and,

FIG. 25 is a bottom perspective view thereof.

The broken lines in the drawings depict portions of the coffee mug that form no part of the claimed design.

1 Claim, 25 Drawing Sheets



US D970,968 S

Page 2

(58) **Field of Classification Search**

USPC D7/509, 510, 511, 392.1, 396.1, 396.2,
D7/608, 900, 526, 531, 505, 392, 537,
D7/519, 529, 213, 532
CPC . A47G 19/2205; A47G 19/2272; A47J 41/00;
A47J 45/072; Y10S 220/903; B65D
21/02; B65D 43/00
See application file for complete search history.

(56) **References Cited**

U.S. PATENT DOCUMENTS

D230,956 S * 3/1974 Bystedt et al. D9/773
D274,217 S * 6/1984 Aramaki D9/776
D276,499 S * 11/1984 Kamada D34/39
D277,550 S * 2/1985 Campbell D9/500
D286,097 S * 10/1986 Imanishi D34/39
D309,847 S * 8/1990 Scheurer D34/39
D345,503 S * 3/1994 Murphy D7/615
D352,462 S * 11/1994 Rupert D9/542
D440,498 S * 4/2001 Buxton D9/903
D490,272 S 5/2004 Rohe
D490,654 S * 6/2004 Allen D7/532
D492,157 S 6/2004 Bodum
D492,602 S * 7/2004 Sleeman D9/776
D502,844 S 3/2005 Rohe
D526,208 S * 8/2006 Klein D9/633
D531,055 S * 10/2006 Munn D9/773
D536,264 S * 2/2007 Ioannides D9/776
D549,591 S * 8/2007 Babwah D9/518
D556,509 S * 12/2007 Bonini D7/532
D574,574 S * 8/2008 Bax D34/39
D581,272 S * 11/2008 Yourist D9/502
D584,643 S * 1/2009 Kolon D9/777
D596,503 S * 7/2009 Diss D9/776
D607,278 S * 1/2010 Luchak D7/532
D628,905 S * 12/2010 Fedusa D9/776
D628,906 S * 12/2010 Fedusa D9/776
D631,293 S 1/2011 Ross
D650,703 S * 12/2011 Westphal D9/779
D651,527 S * 1/2012 Hu D9/776

D653,966 S * 2/2012 Kohara D9/774
D654,763 S * 2/2012 George D7/510
D657,247 S * 4/2012 Nemeth D9/779
D674,663 S 1/2013 Cahen
D721,540 S 1/2015 Grcic
D727,684 S * 4/2015 Forsyth D7/510
D758,192 S * 6/2016 Eyal D9/500
D766,721 S * 9/2016 Meador D9/500
D797,511 S * 9/2017 Specht D7/532
D803,633 S * 11/2017 Boroski D7/608
D803,702 S * 11/2017 Hu D9/776
D807,319 S * 1/2018 Gebhart D14/207
D817,093 S * 5/2018 Silsby D7/532
D819,406 S 6/2018 Rivera
D828,097 S * 9/2018 Silsby D7/532
D830,126 S 10/2018 Rohe
D830,127 S 10/2018 Rohe
D840,755 S * 2/2019 Kehoe D11/146
D878,160 S * 3/2020 Corbet D7/532
D887,861 S * 6/2020 Sheishenov D9/776
D894,685 S 9/2020 Kestenbaum
D924,075 S * 7/2021 Palumbo D9/776
D939,279 S * 12/2021 Vierck D7/510
D939,280 S * 12/2021 Vierck D7/510
D948,955 S * 4/2022 Wahl D7/608
11,399,661 B2 * 8/2022 Gang B65D 81/3881
D963,417 S * 9/2022 Friend D7/532
2014/0124505 A1 * 5/2014 Trudeau A47G 19/2272
220/202

FOREIGN PATENT DOCUMENTS

CN 304766172 * 8/2018
CN 305128961 * 4/2019
CN 306652932 * 7/2021
CN 307251403 * 4/2022

OTHER PUBLICATIONS

Steelys [online] URL: <https://steelysdrinkware.com/product/polished-barrel-mug-14oz/> (site visited: Jun. 8, 2022) (Year: 2022).*

* cited by examiner

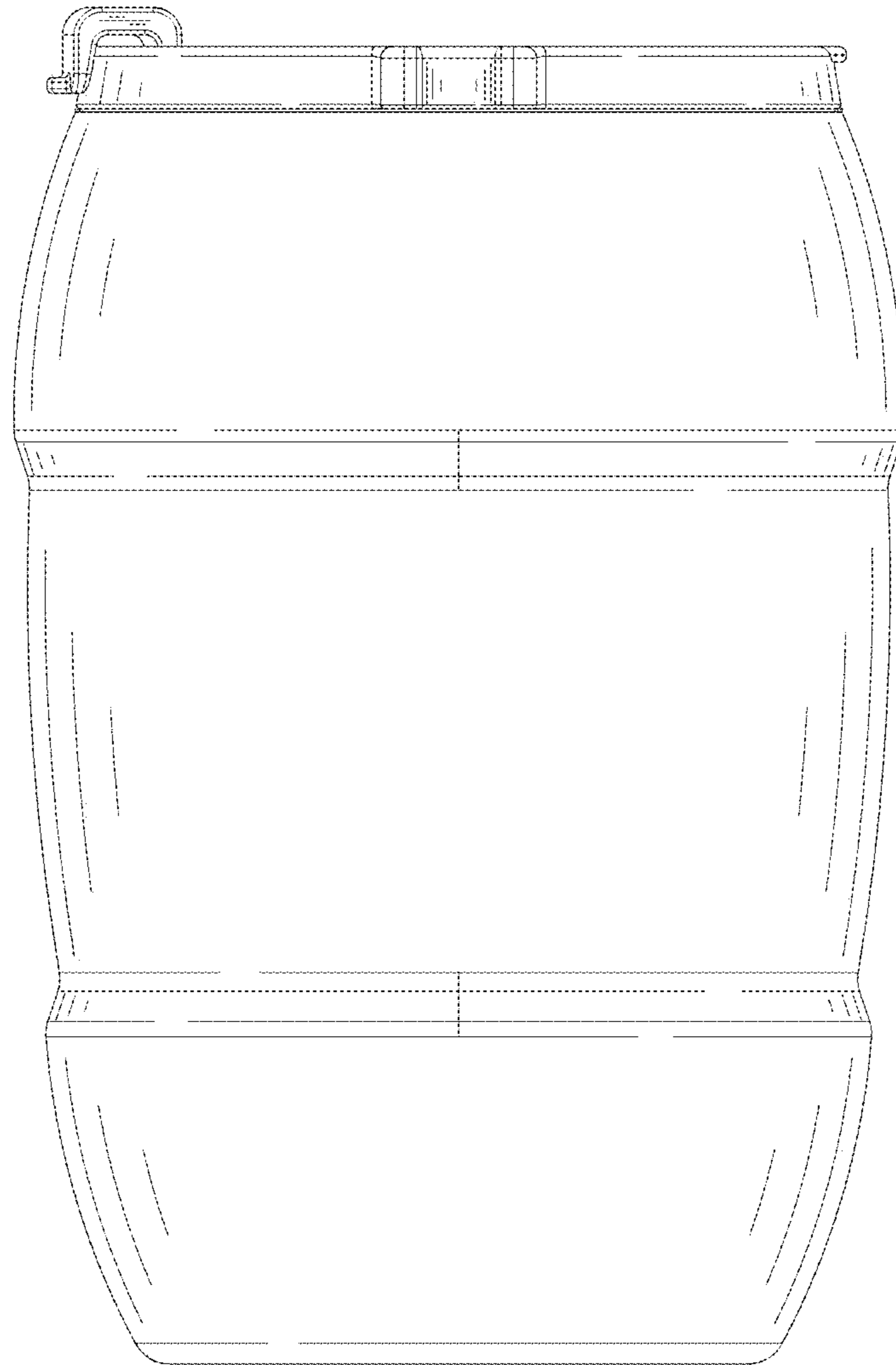


FIG. 1

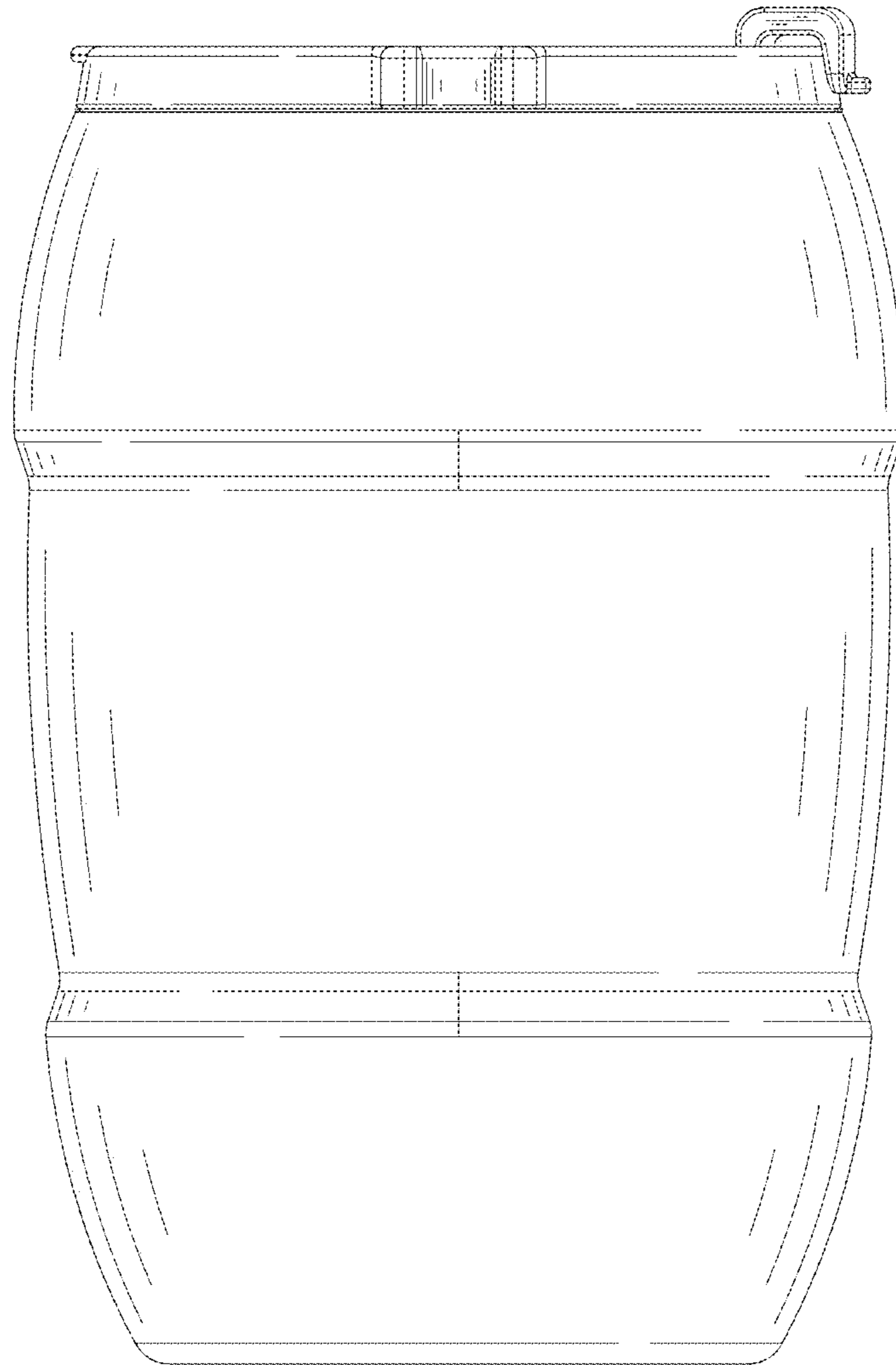


FIG. 2

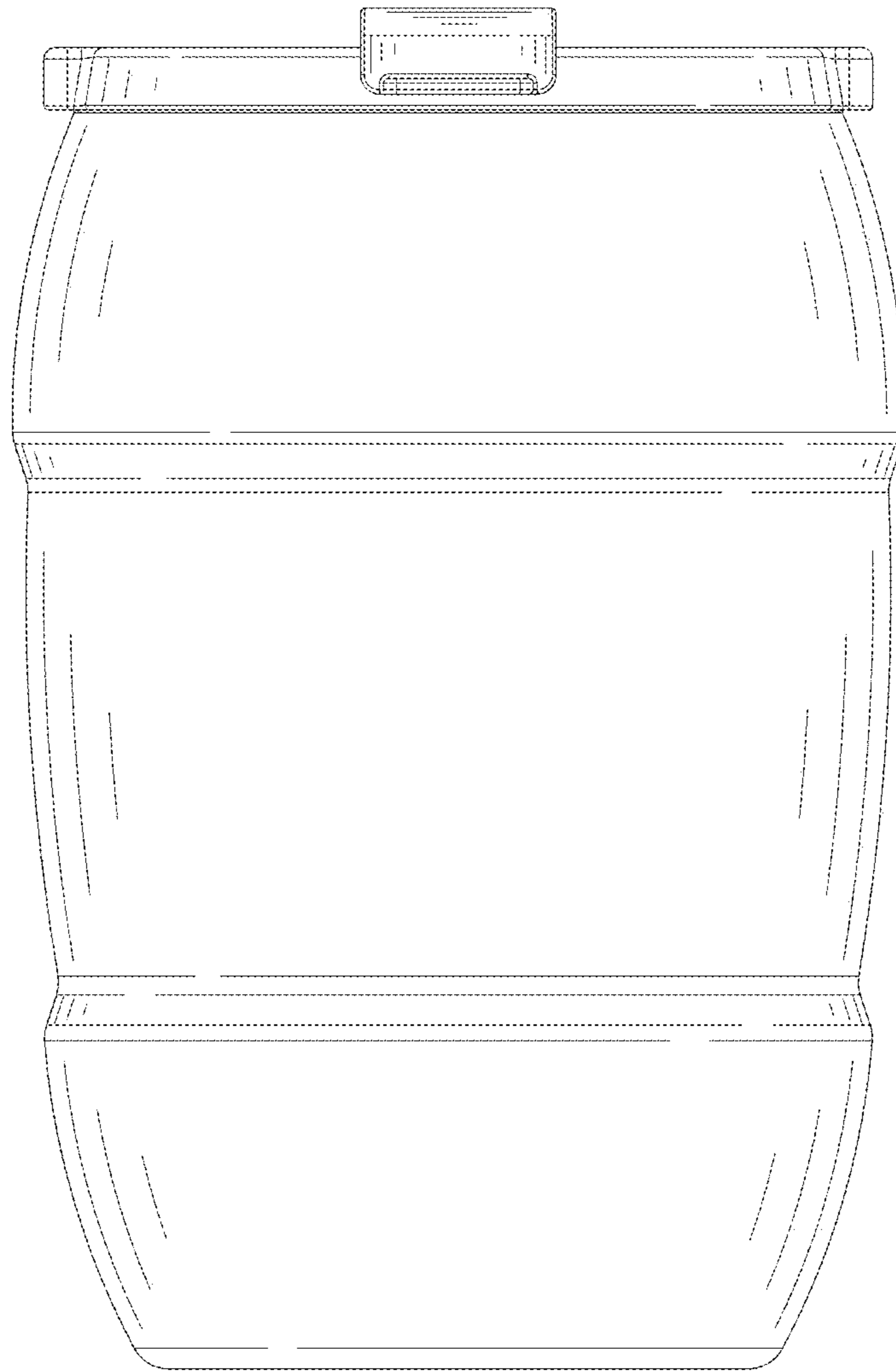


FIG. 3

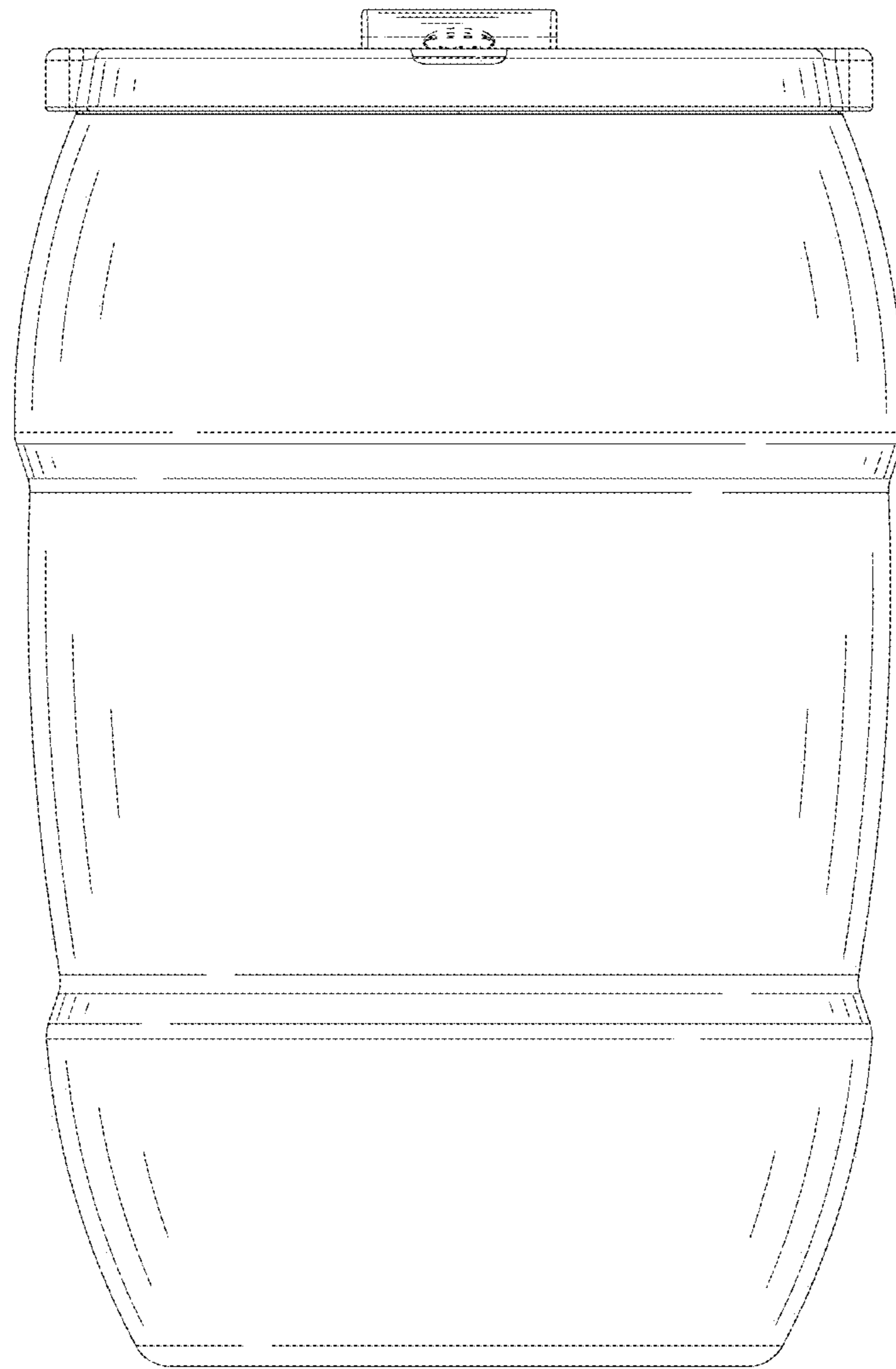


FIG. 4

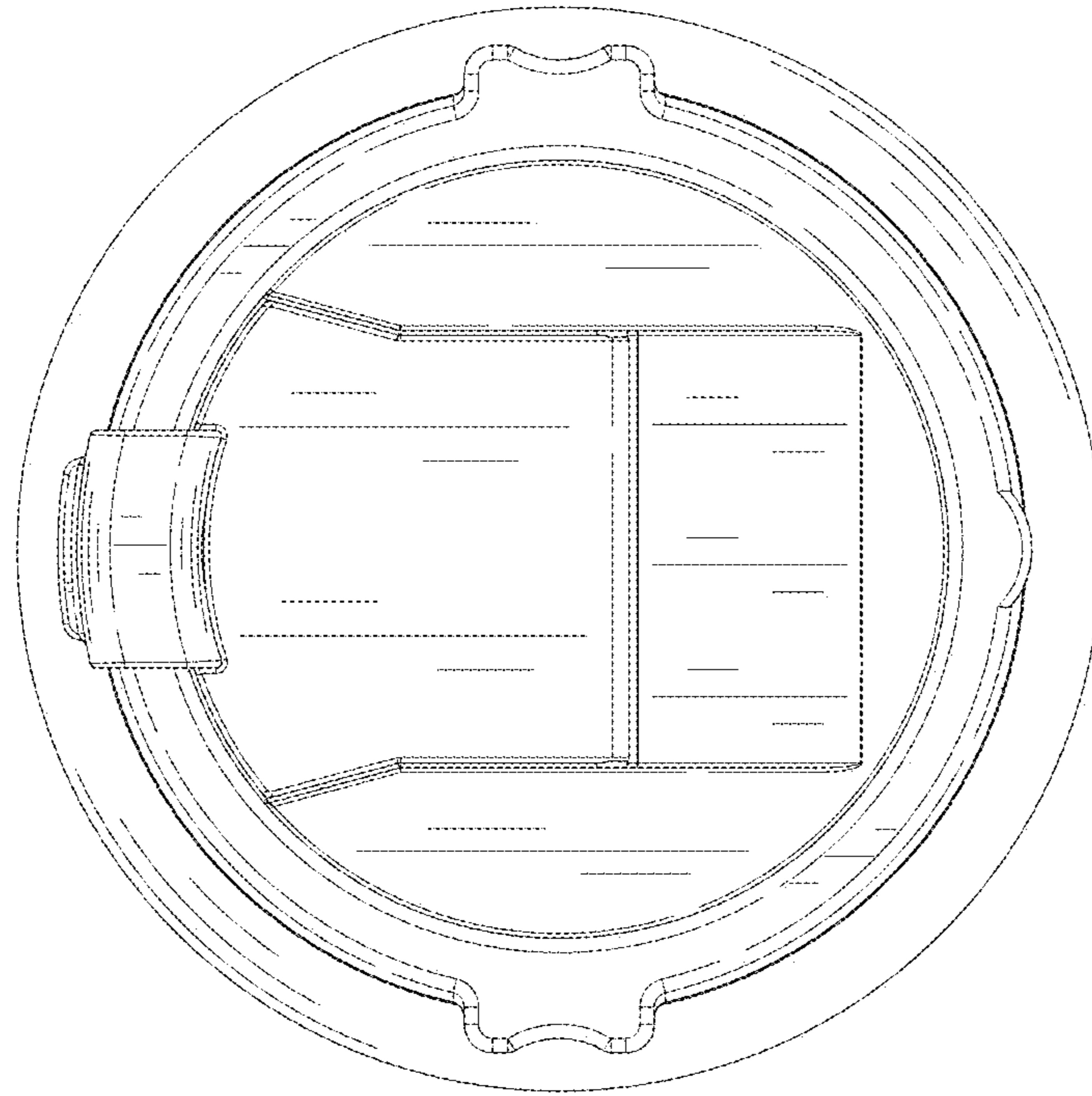


FIG. 5

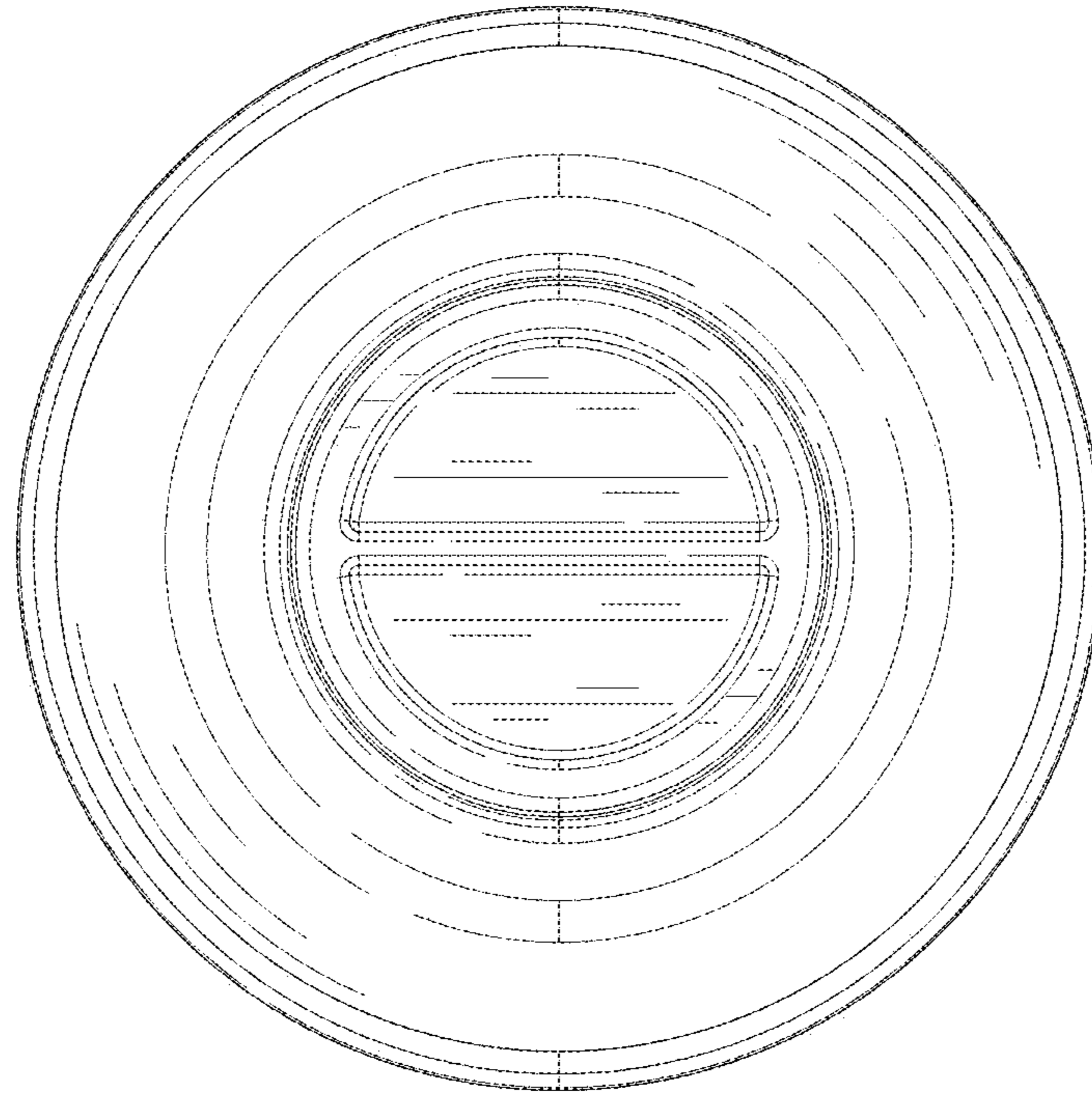


FIG. 6

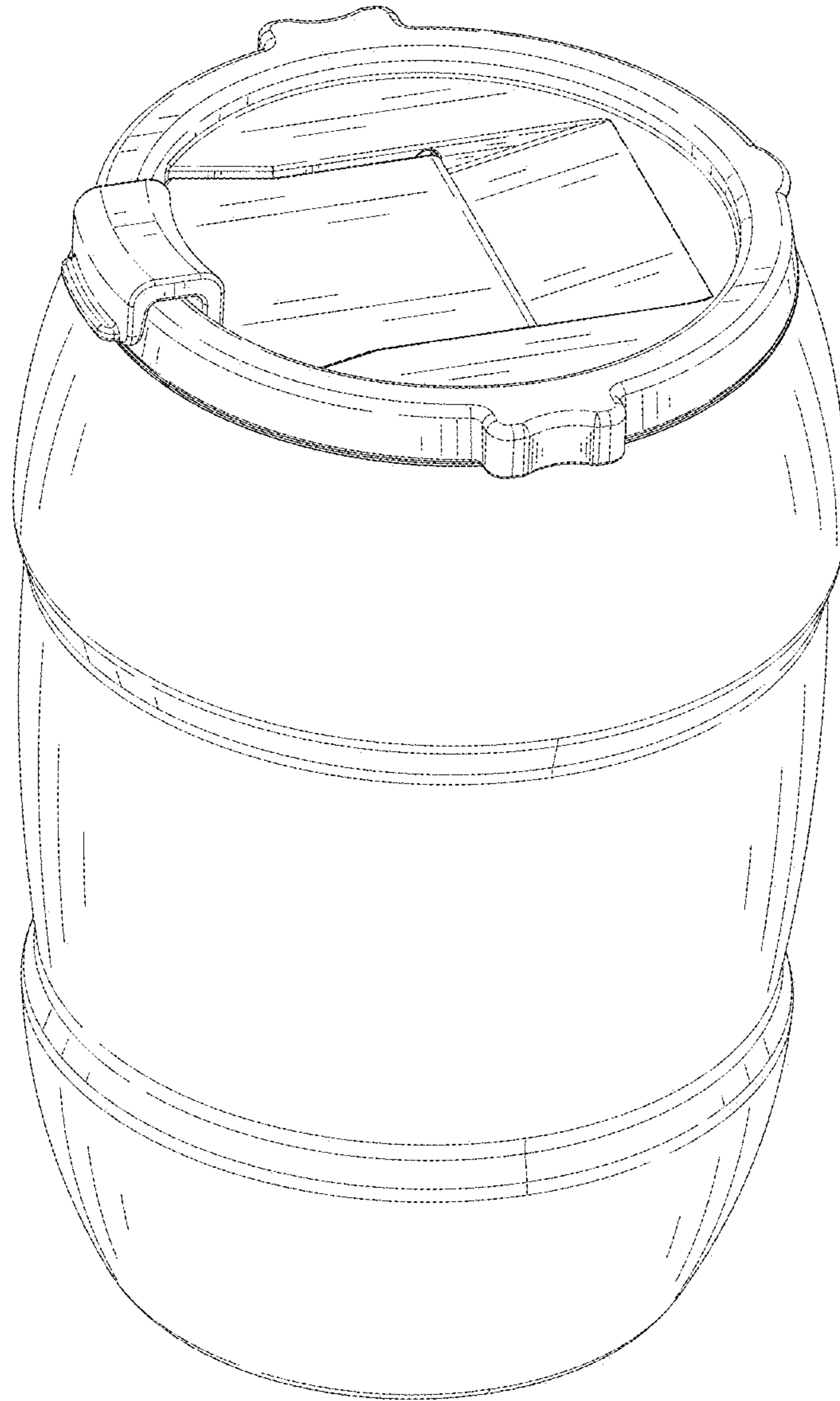


FIG. 7

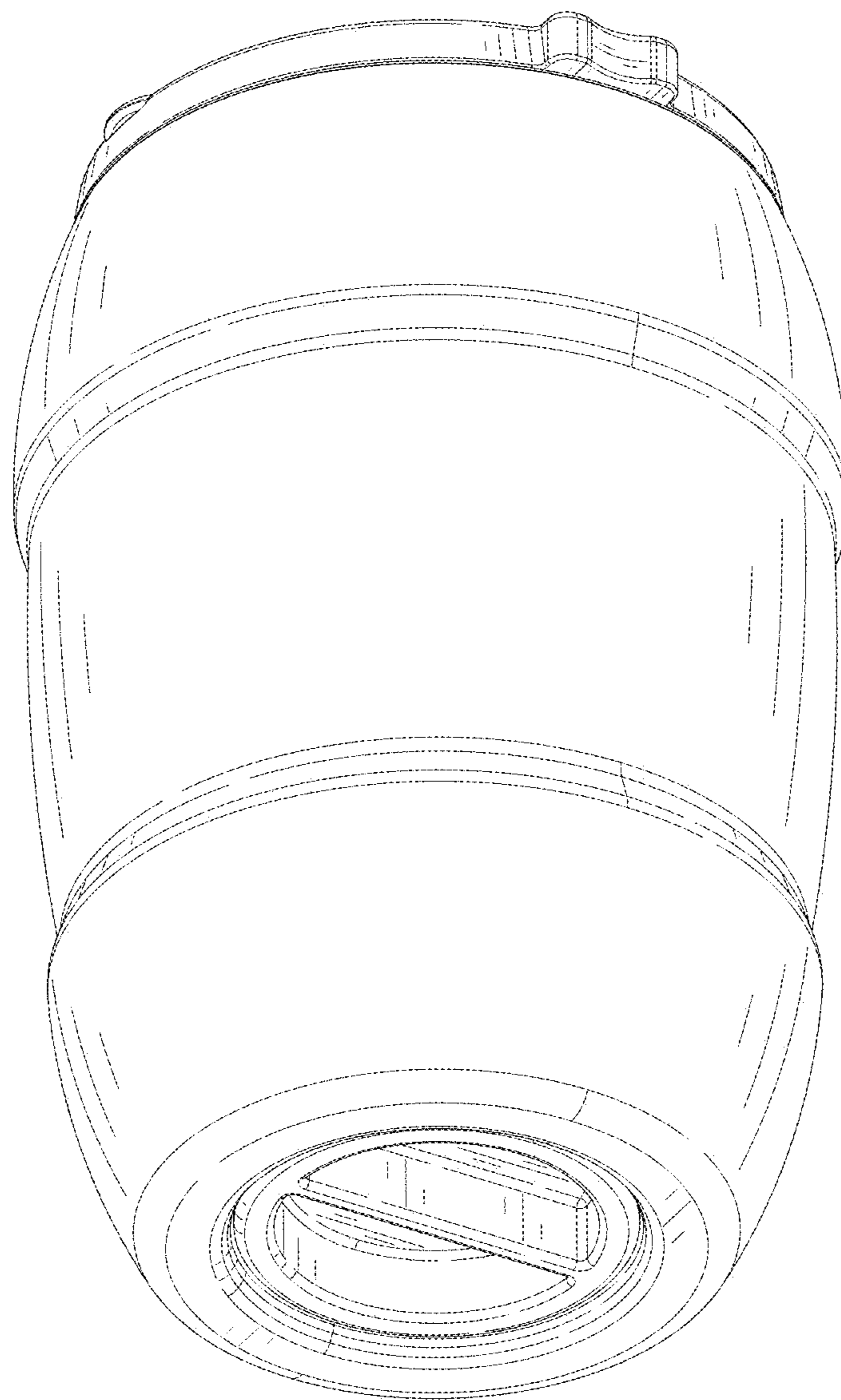


FIG. 8

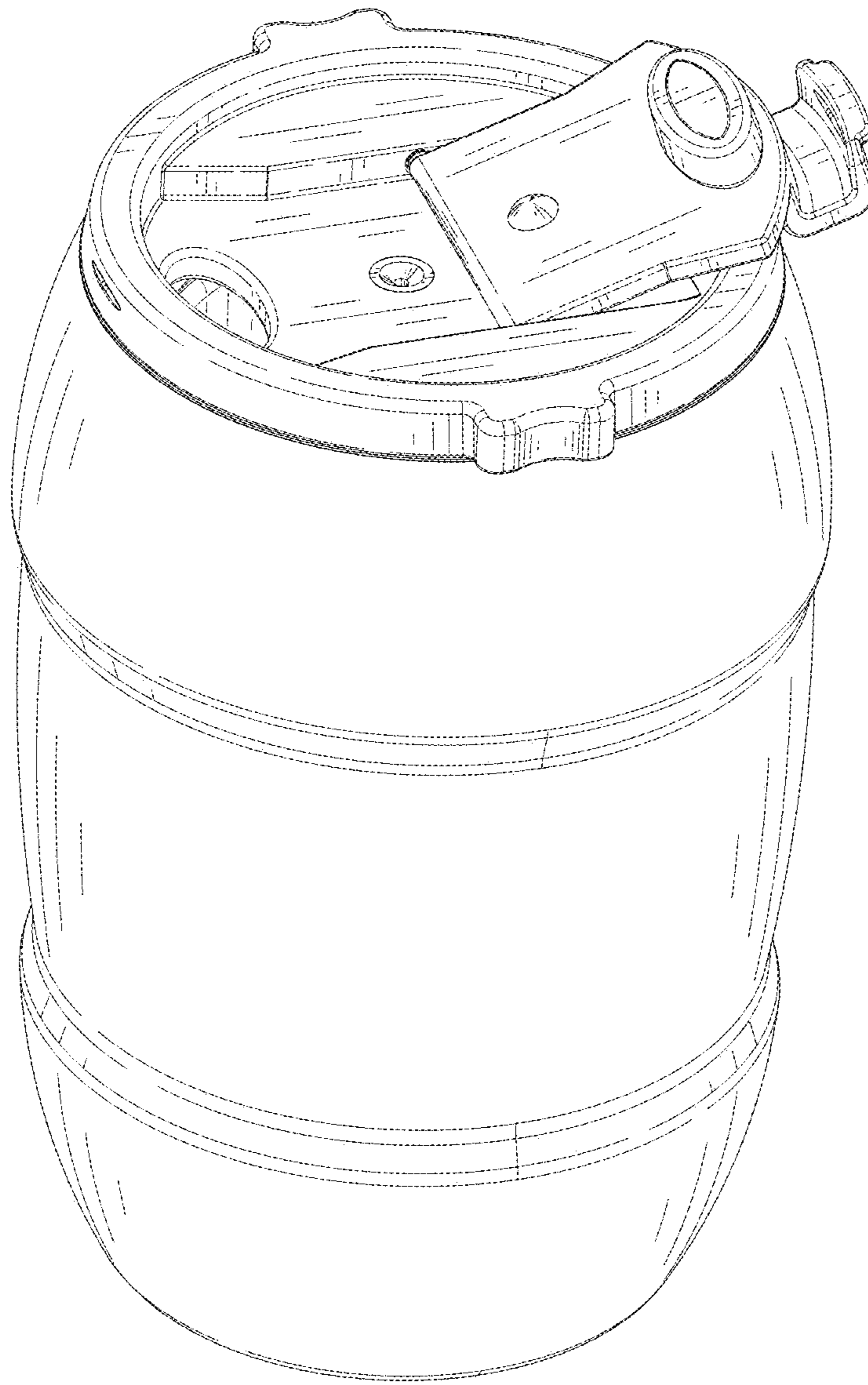


FIG. 9

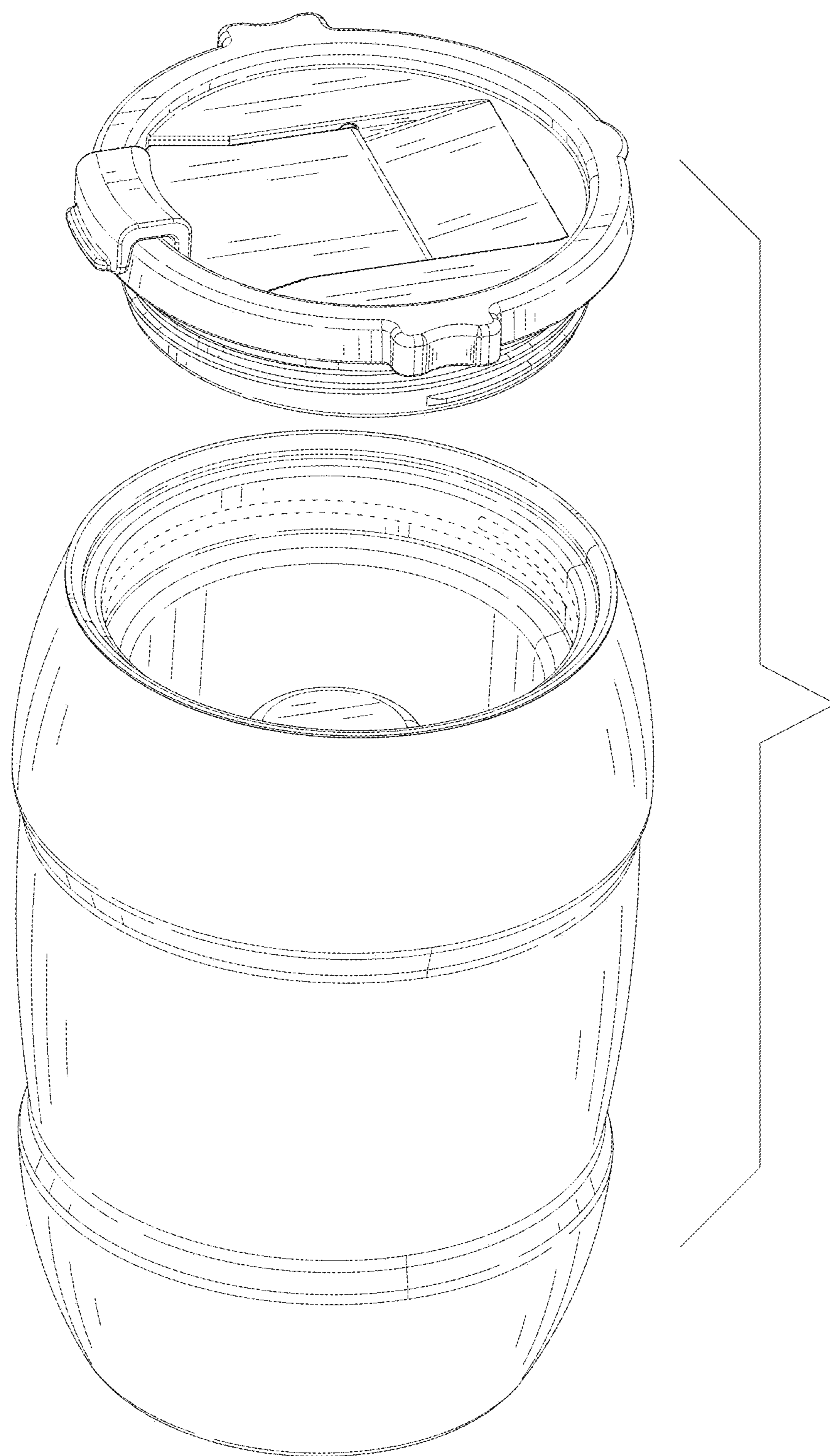


FIG. 10

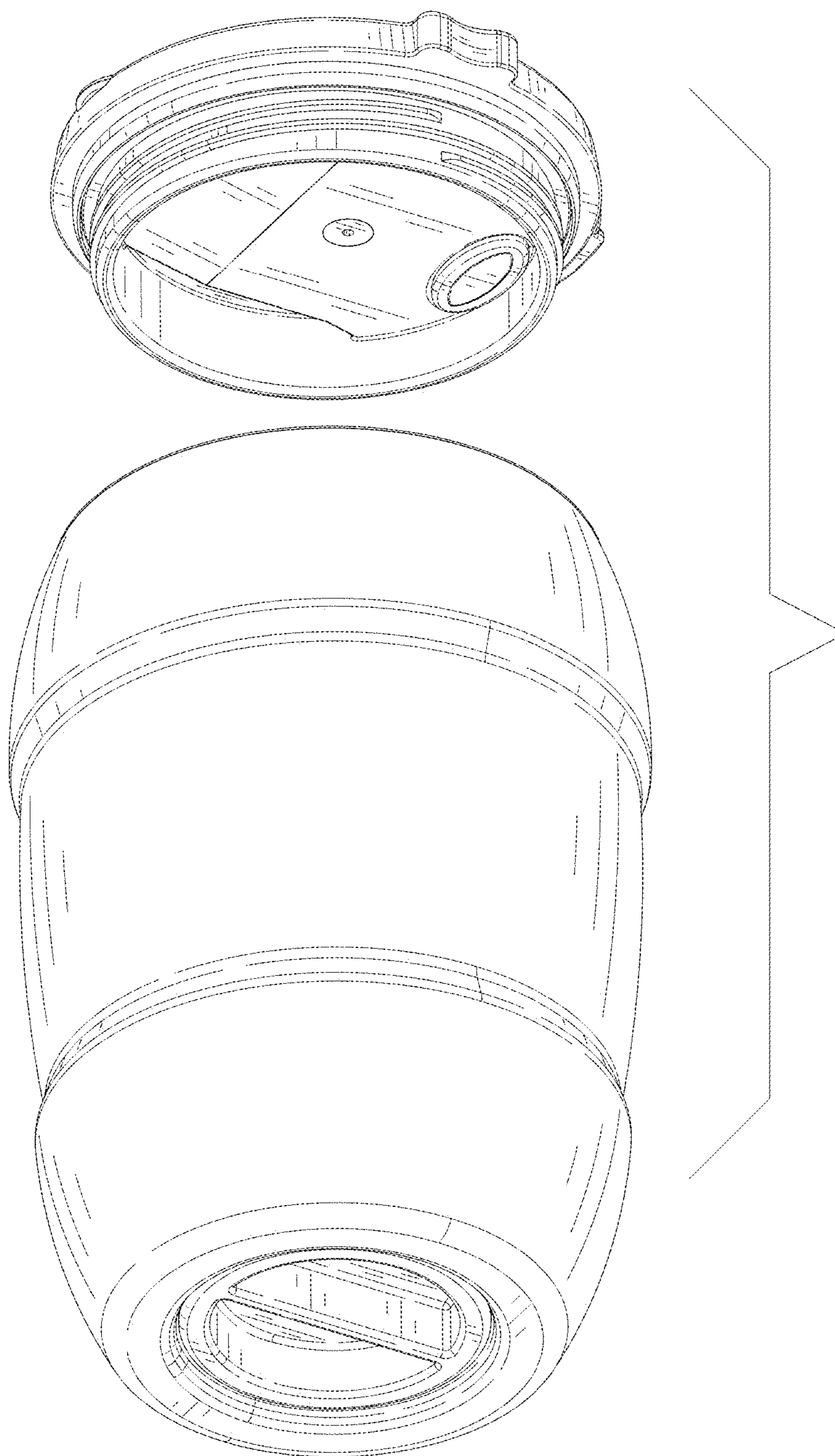


FIG. 11

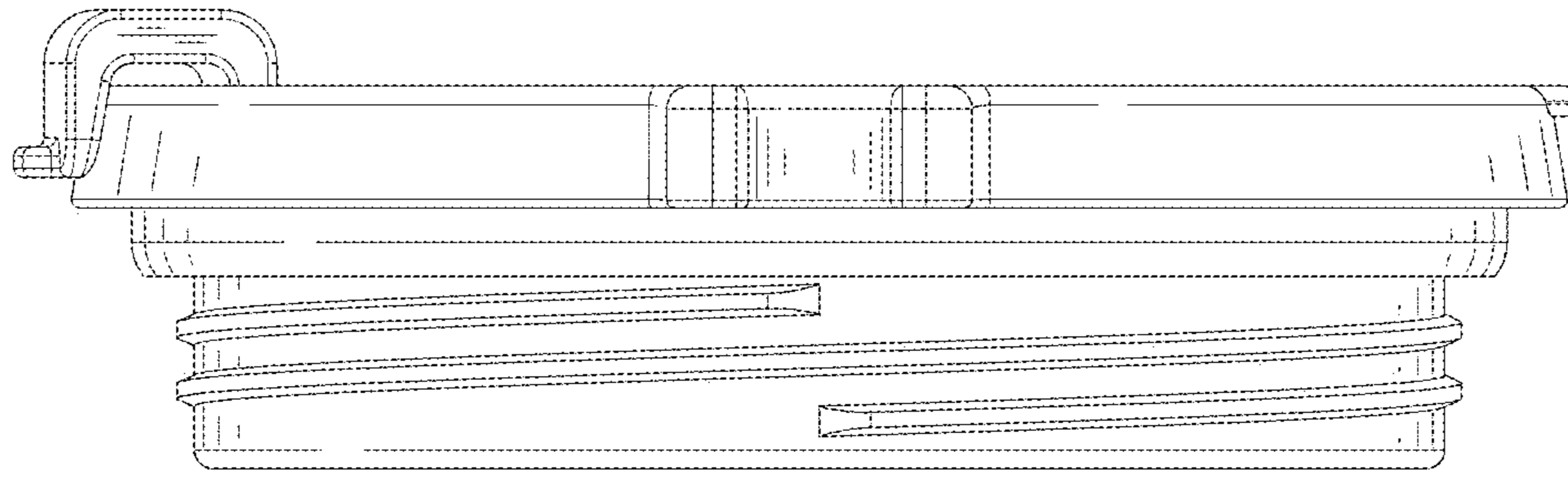


FIG. 12

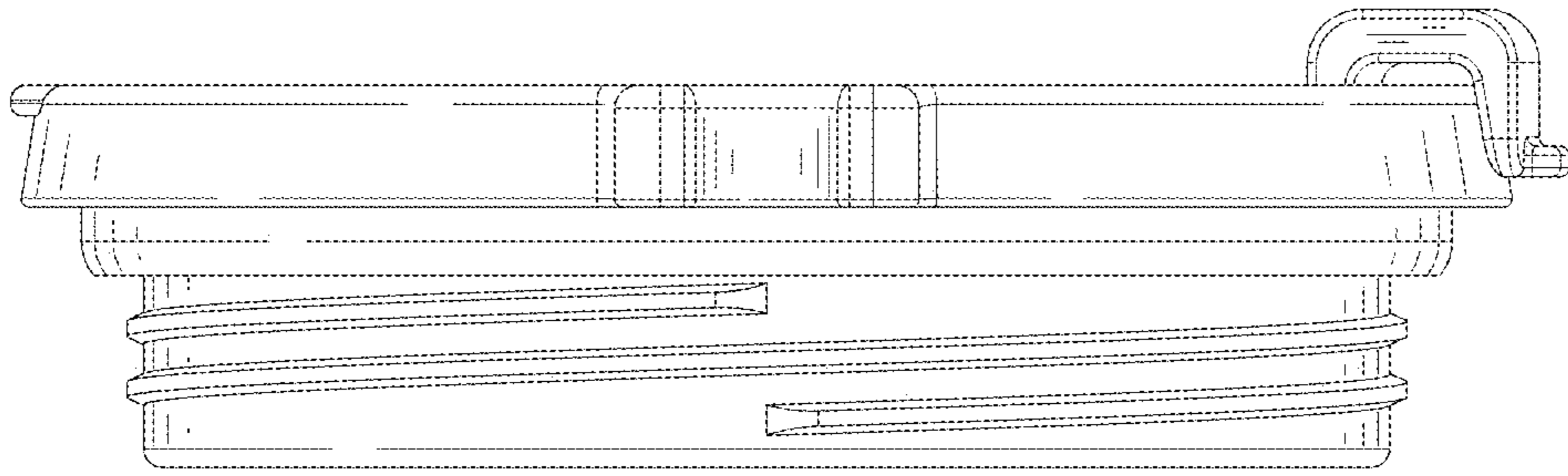


FIG. 13

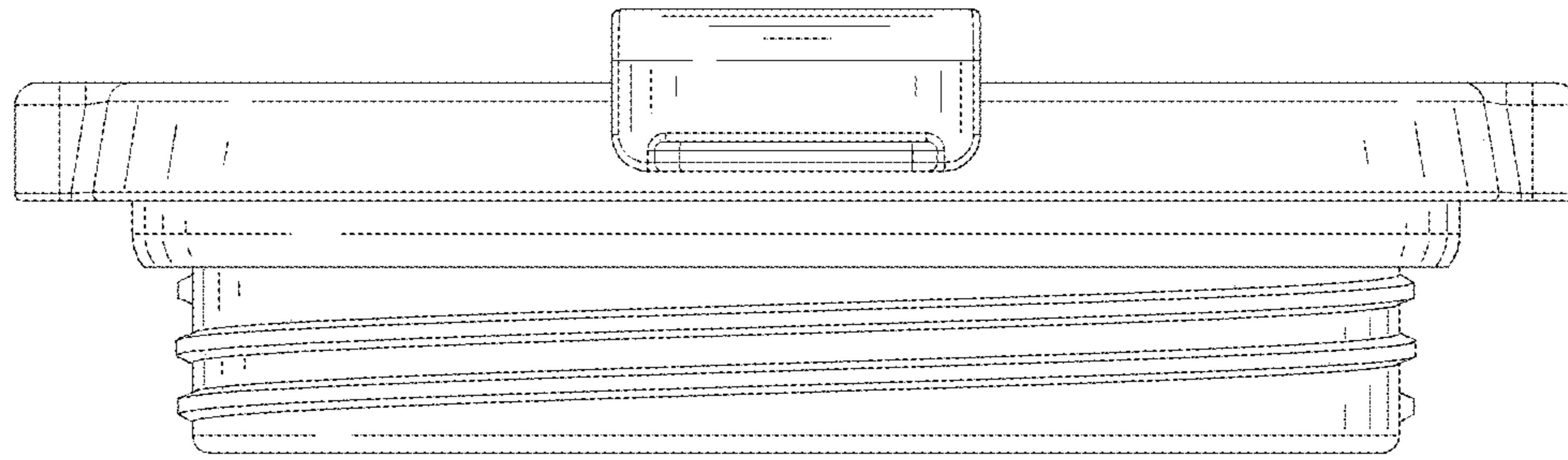


FIG. 14

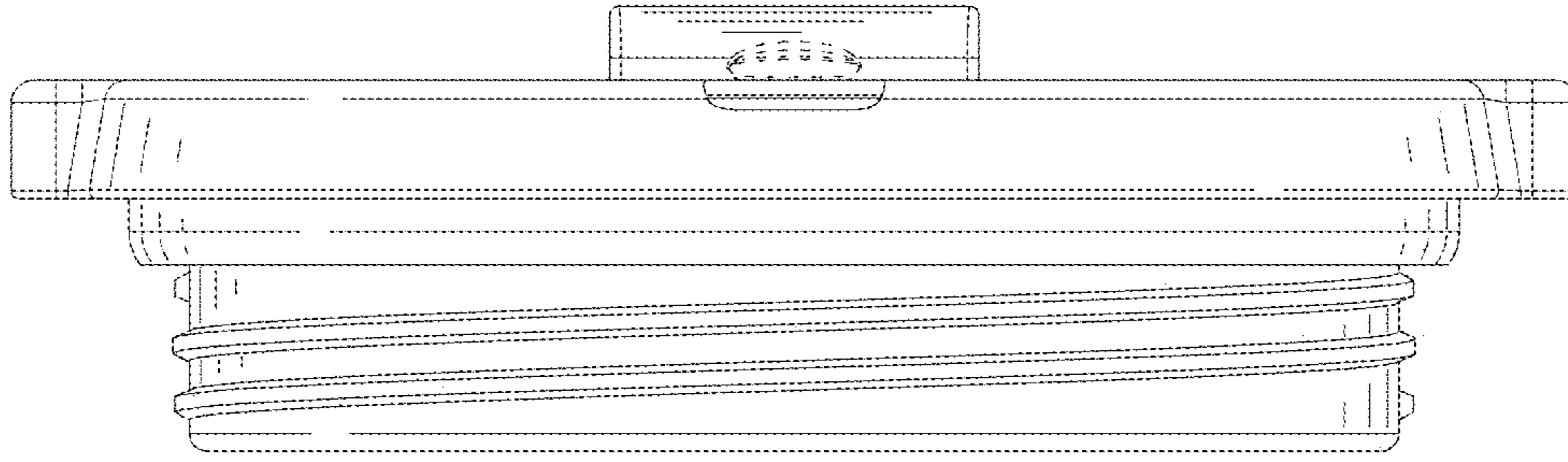


FIG. 15

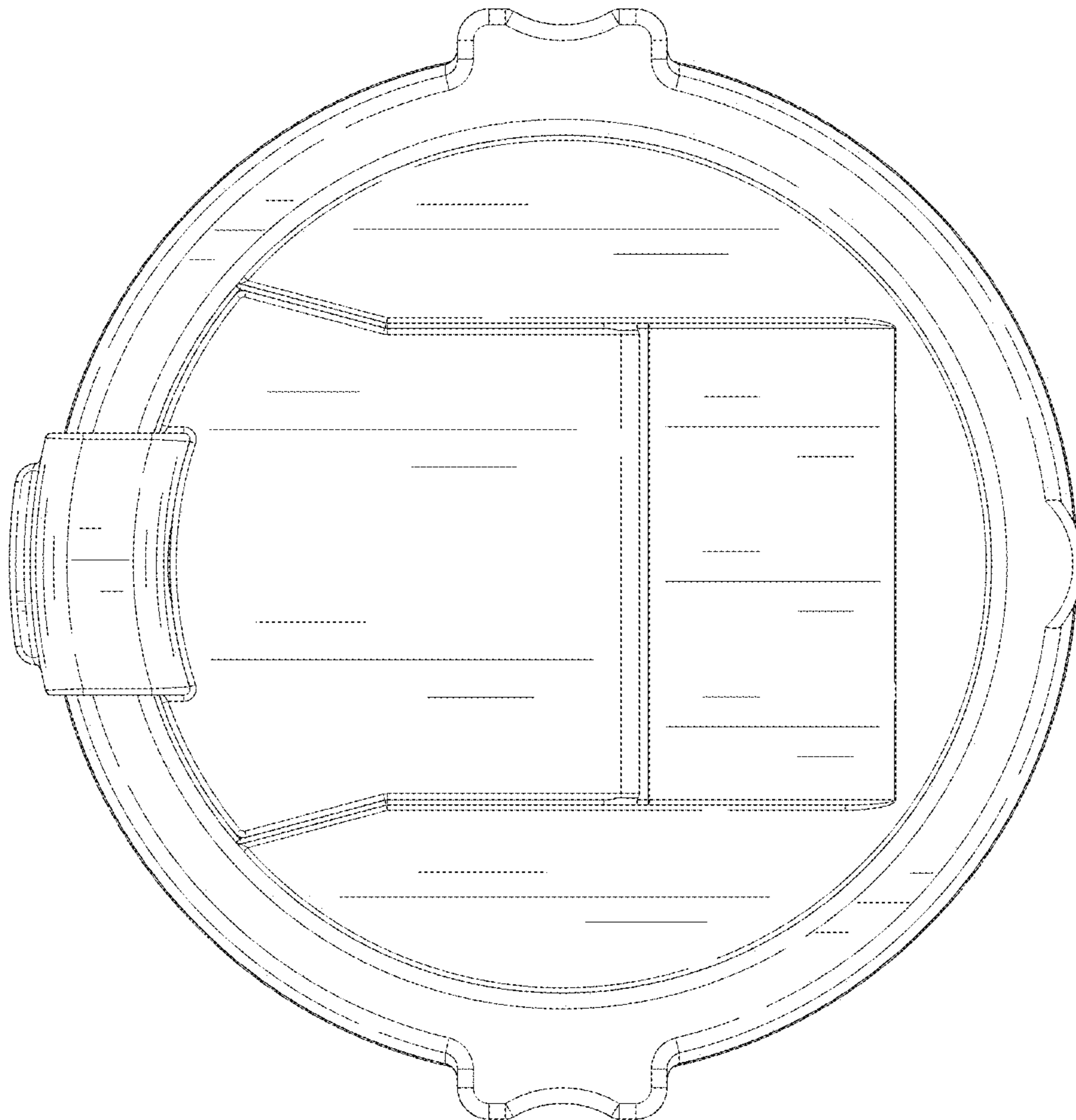


FIG. 16

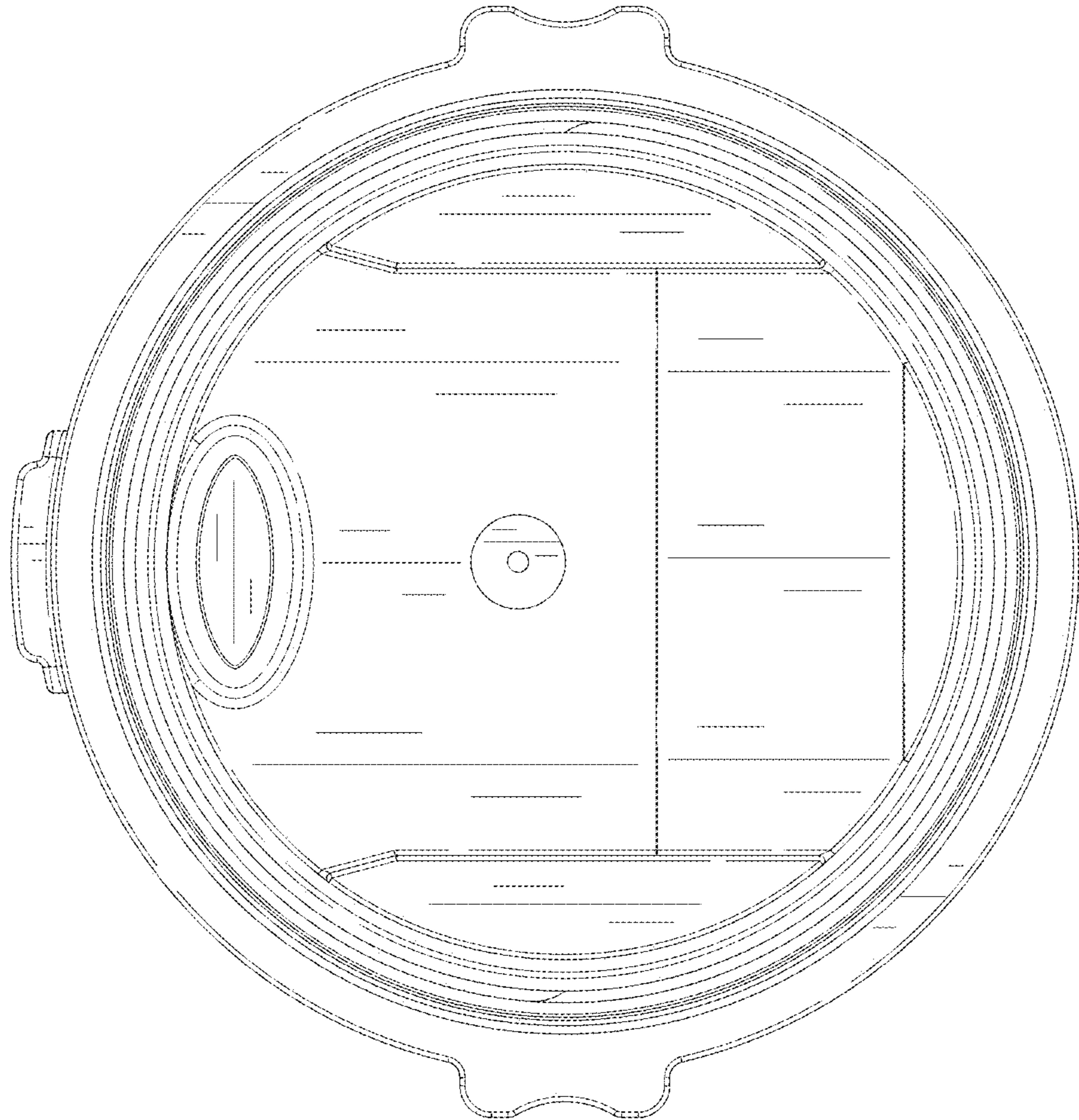


FIG. 17

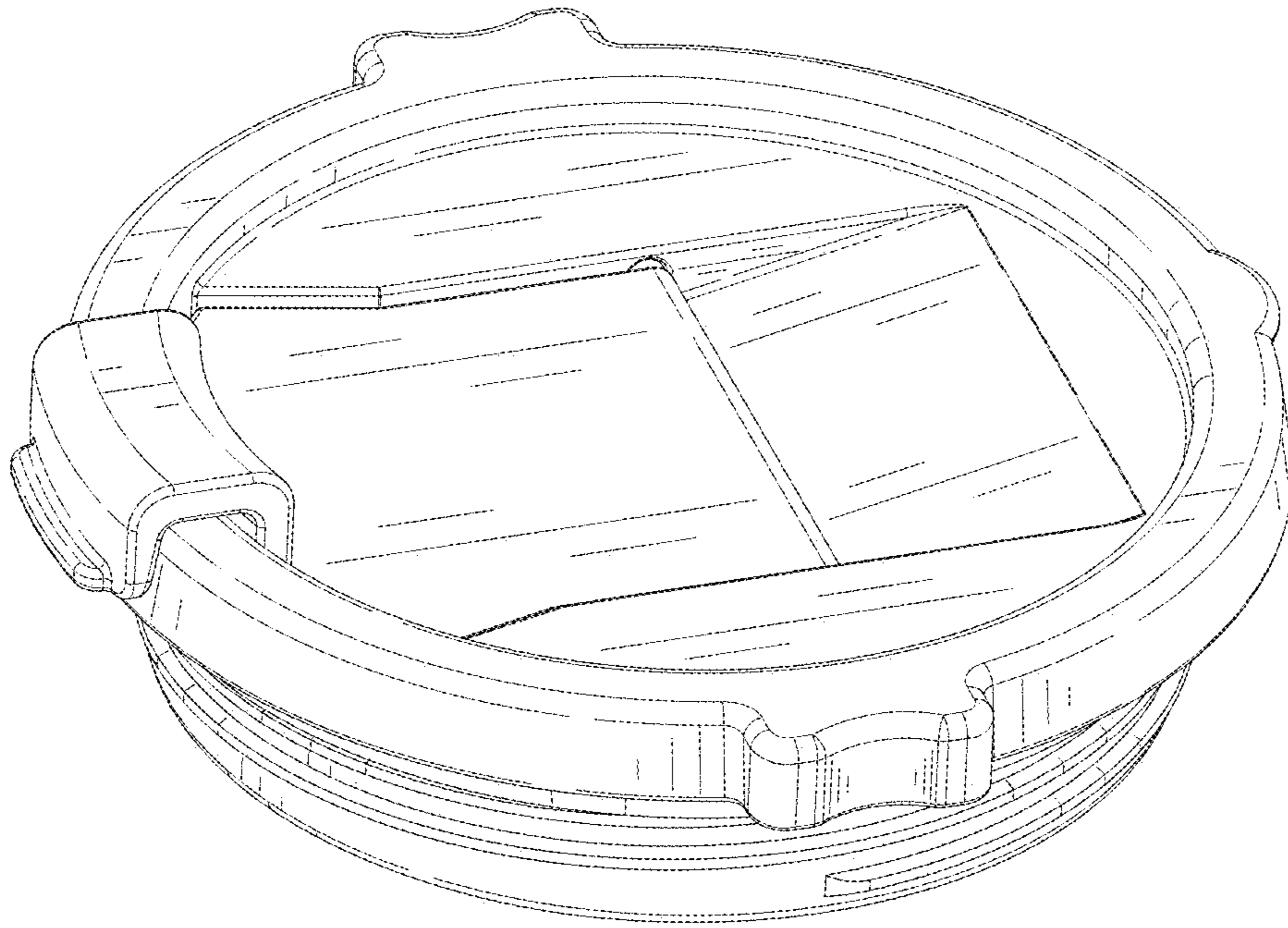


FIG. 18

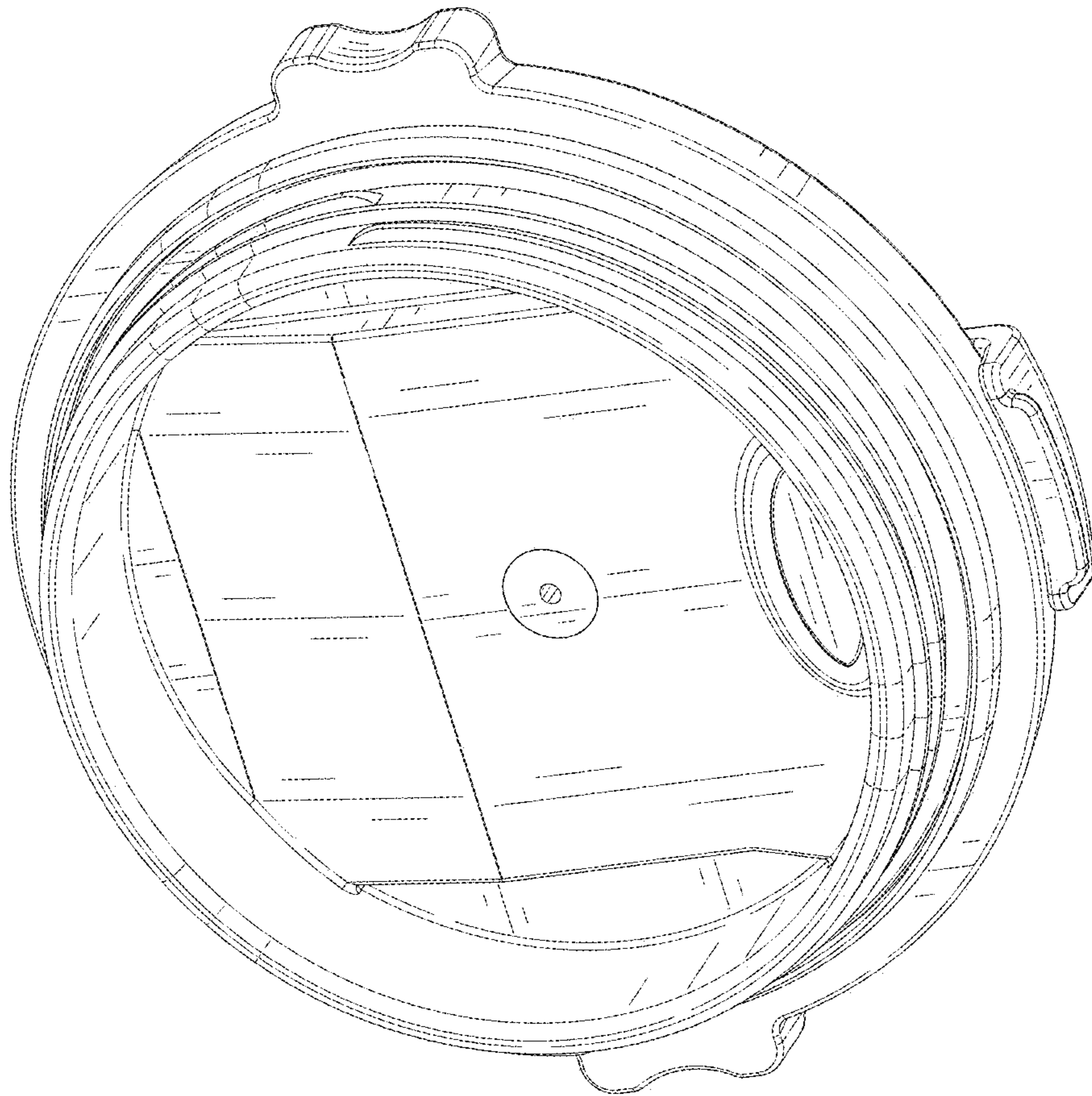


FIG. 19

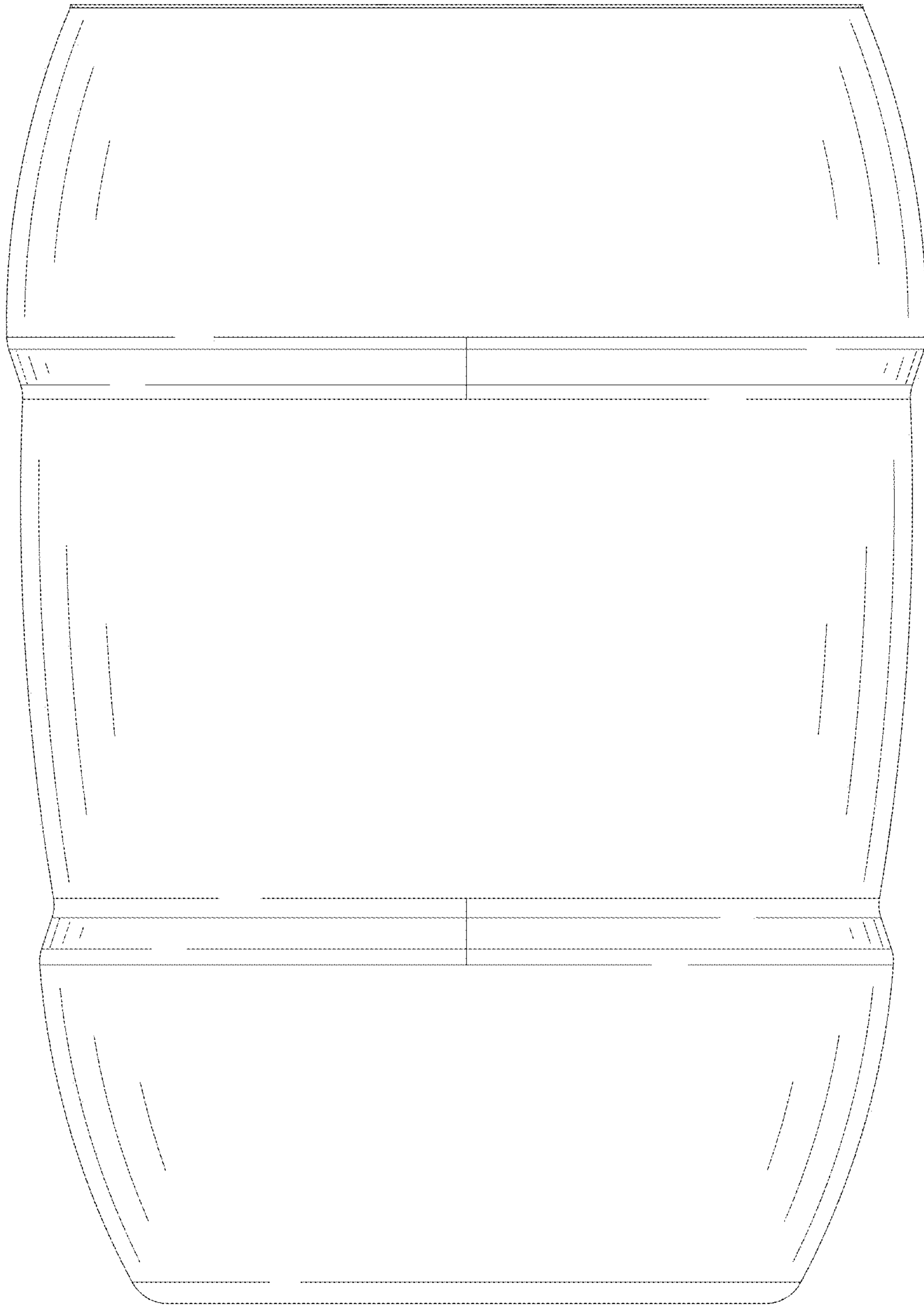


FIG. 20

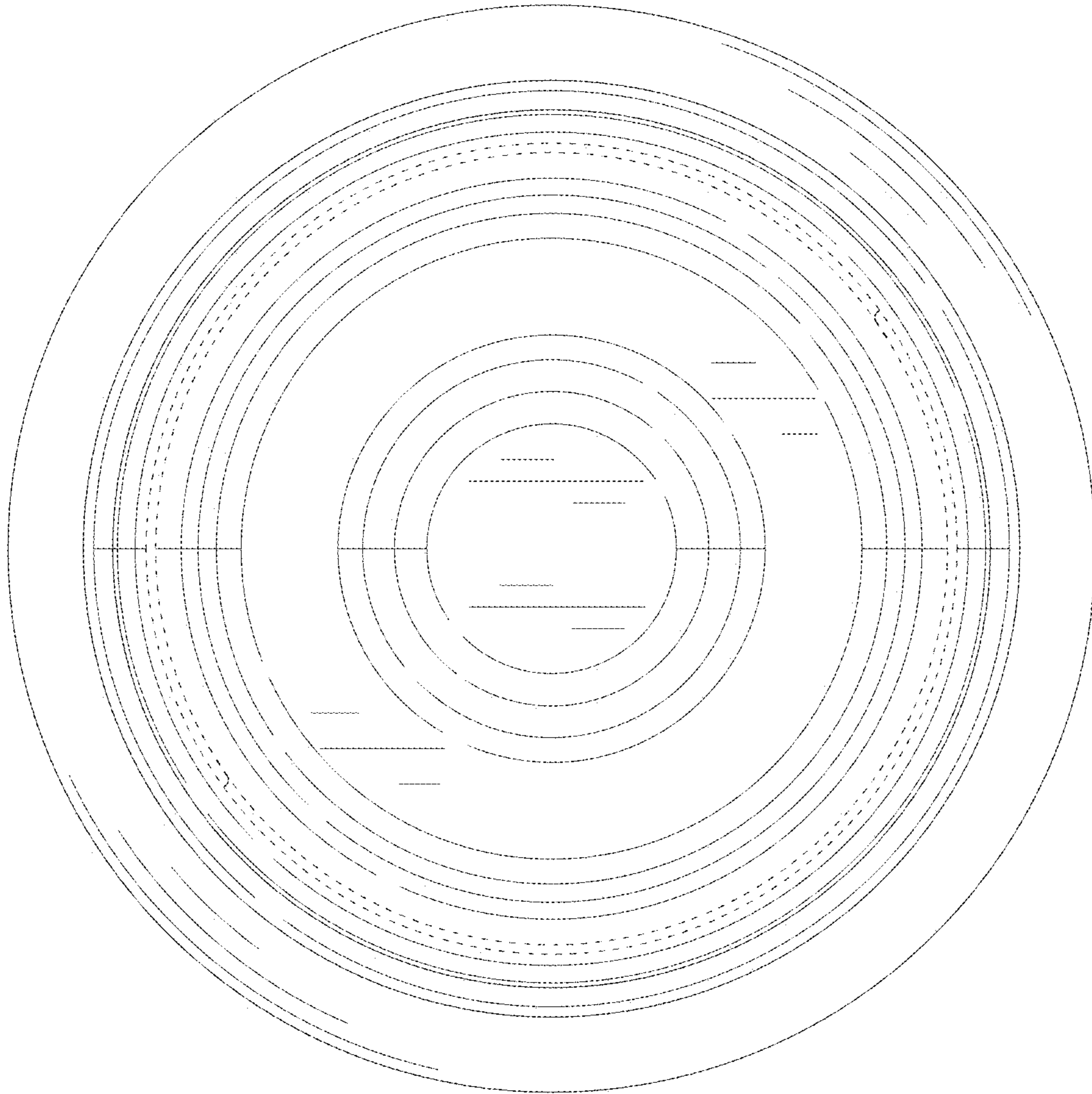


FIG. 21

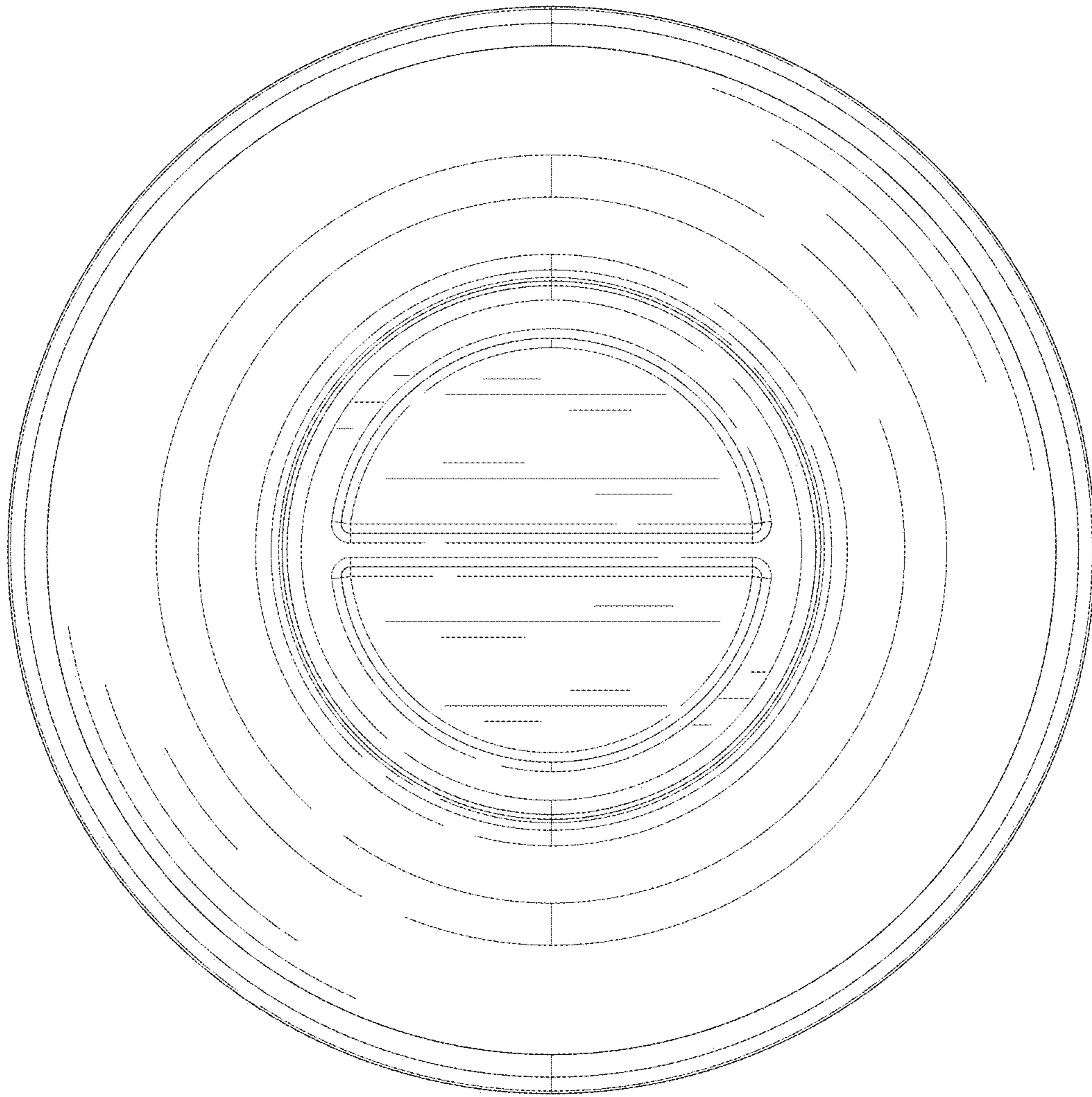


FIG. 22

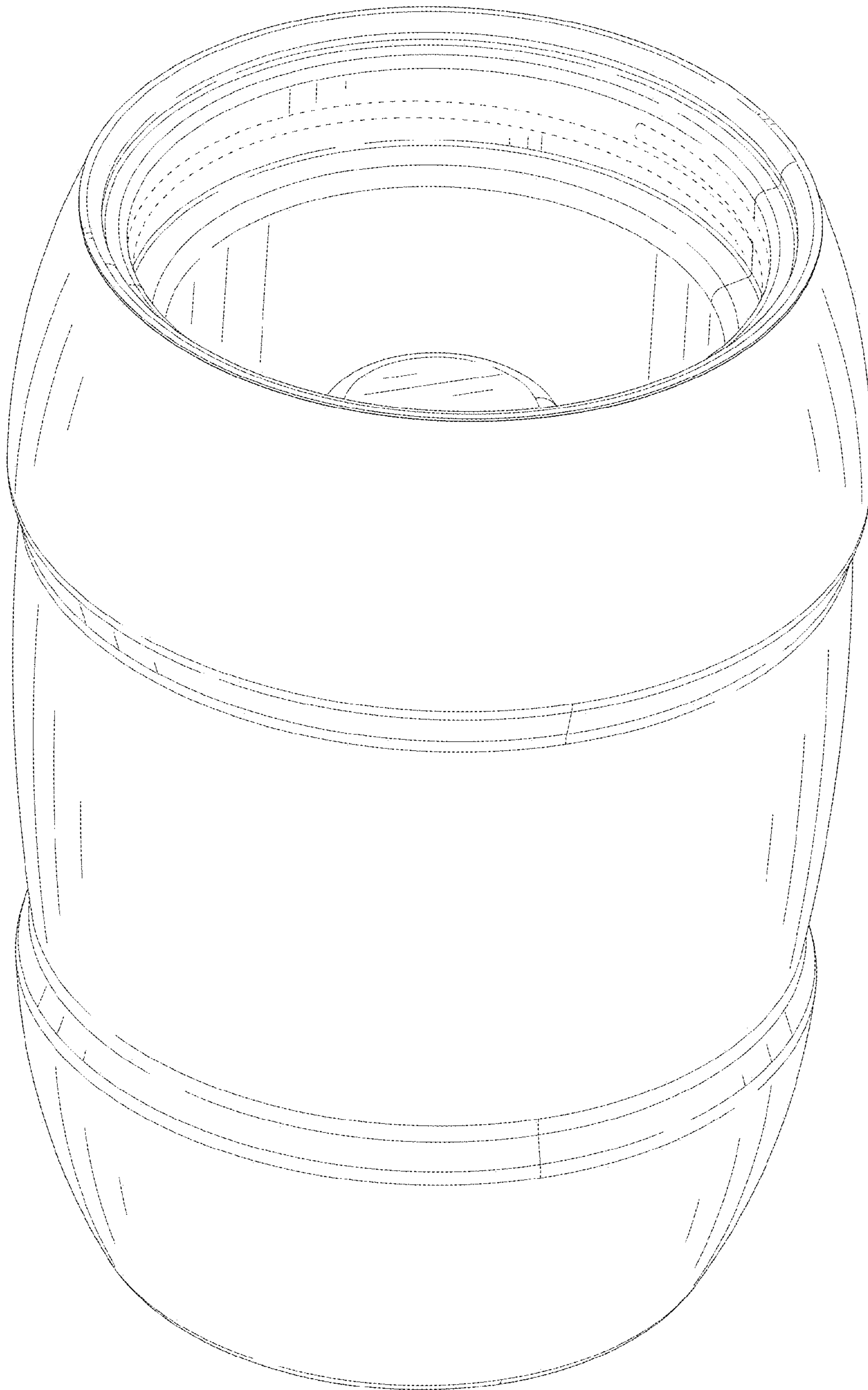


FIG. 23

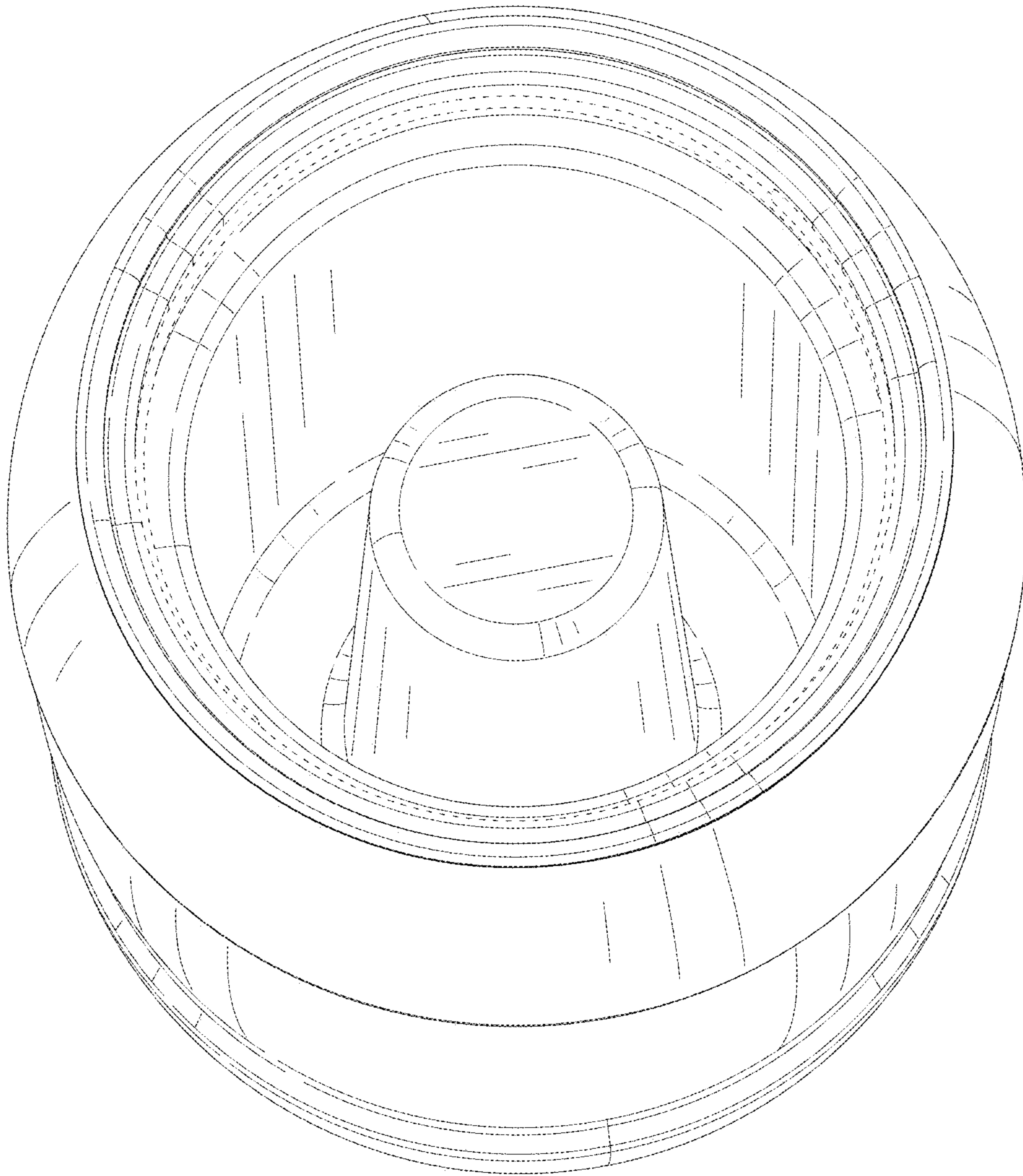


FIG. 24

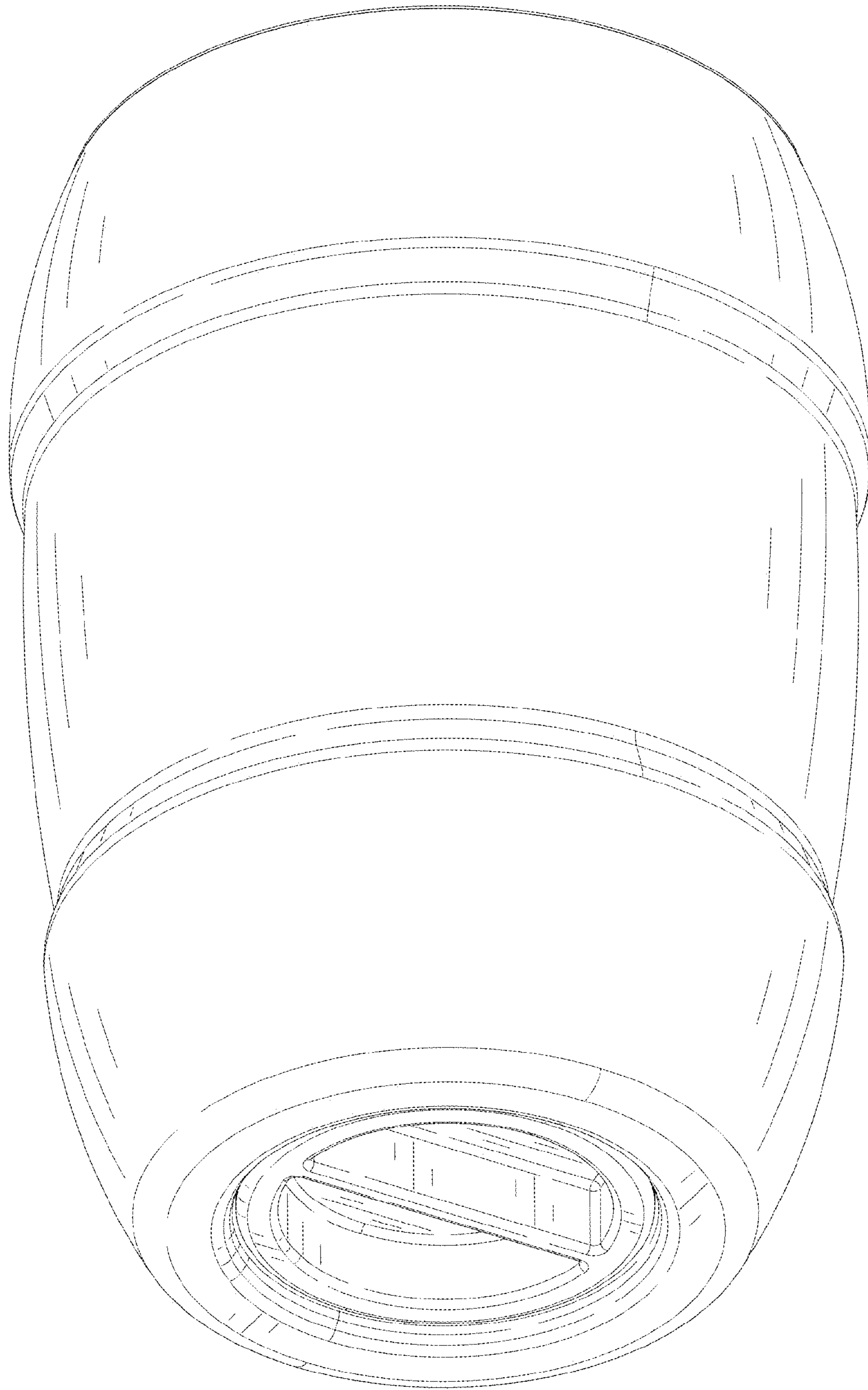


FIG. 25