



US00D970966S

(12) **United States Design Patent** (10) **Patent No.:** **US D970,966 S**
Barisone et al. (45) **Date of Patent:** **** Nov. 29, 2022**

(54) **FLASK WITH ATTACHED TUMBLERS**

(71) Applicant: **High Camp Designs, LLC**, San Rafael, CA (US)

(72) Inventors: **Nicholas Barisone**, San Rafael, CA (US); **Whitney Gautreaux**, San Rafael, CA (US)

(73) Assignee: **High Camp Designs, LLC**, San Rafael, CA (US)

(**) Term: **15 Years**

(21) Appl. No.: **29/814,276**

(22) Filed: **Nov. 4, 2021**

Related U.S. Application Data

(60) Division of application No. 16/940,112, filed on Jul. 27, 2020, which is a continuation of application No. 16/160,815, filed on Oct. 15, 2018, now Pat. No. 10,723,513.

(51) **LOC (13) Cl.** **07-01**

(52) **U.S. Cl.**
USPC **D7/507**; D7/510; D7/523

(58) **Field of Classification Search**
USPC D7/507, 510, 511, 523, 531, 532, 608, D7/392.1, 396.2; D9/500, 501, 502; D3/202
CPC A47J 41/0077; A47J 41/02; A47J 41/0088; A47G 19/2288
See application file for complete search history.

(56) **References Cited**

U.S. PATENT DOCUMENTS

1,779,117 A 10/1930 Becker
2,488,611 A 11/1949 Stallings
2,601,573 A 6/1952 Venis
2,991,205 A 7/1961 Lincoln
3,071,281 A 1/1963 Sawai
D246,858 S * 1/1978 Larson D7/608

4,241,839 A 12/1980 Alberghini
4,427,123 A 1/1984 Komeda et al.
D425,374 S * 5/2000 Besser D7/608
6,142,325 A 11/2000 Chomik
D449,493 S * 10/2001 Tardif D7/608
D454,281 S * 3/2002 Tardif D7/608
D459,158 S * 6/2002 Tardif D7/608
D475,578 S * 6/2003 Hurlbut D7/533
D490,653 S * 6/2004 Kleckauskas D7/510

(Continued)

FOREIGN PATENT DOCUMENTS

CN 2390508 Y 8/2000
CN 2604951 Y 3/2004

(Continued)

OTHER PUBLICATIONS

<https://highcampflasks.com/collections/flasks/products/firelight-flasks-750ml#shopify-product-reviews> review date Jun. 23, 2020 (Year: 2020).*

Primary Examiner — Jae Liang
(74) *Attorney, Agent, or Firm* — Morriss O’Bryant
Compagni Cannon, PLLC

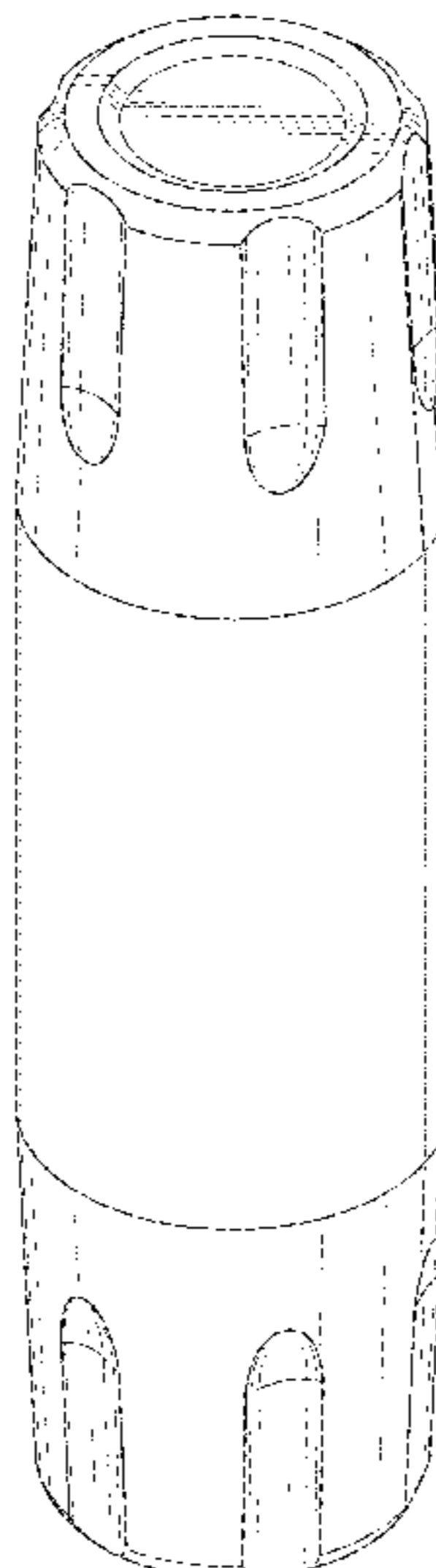
(57) **CLAIM**

The ornamental design for a flask with attached tumblers, as shown and described.

DESCRIPTION

FIG. 1 is a front side perspective view of a flask with attached tumblers showing our new design; FIG. 2 is a front side view thereof; FIG. 3 is a back side view thereof; FIG. 4 is a top side view thereof; and, FIG. 5 is a bottom side view thereof. The broken lines in the drawings depict portions of the flask with attached tumblers that form no part of the claimed design.

1 Claim, 4 Drawing Sheets



(56)

References Cited

U.S. PATENT DOCUMENTS

D653,492 S * 2/2012 Enghard D7/300.1
D767,338 S * 9/2016 Jones D7/510
D815,906 S * 4/2018 Yee D7/510
D943,356 S * 2/2022 Lyu D7/608
2011/0226770 A1 9/2011 Tiesberger
2018/0105346 A1 4/2018 Tolman et al.

FOREIGN PATENT DOCUMENTS

CN 201005550 Y 1/2008
CN 205054856 U 3/2016
CN 205658720 U 10/2016
CN 106579966 A 4/2017
CN 206166506 U 5/2017
CN 206518418 U 9/2017
FR 2646071 A1 10/1990
TW M297372 U 9/2006
WO 2016204623 A1 12/2016

* cited by examiner

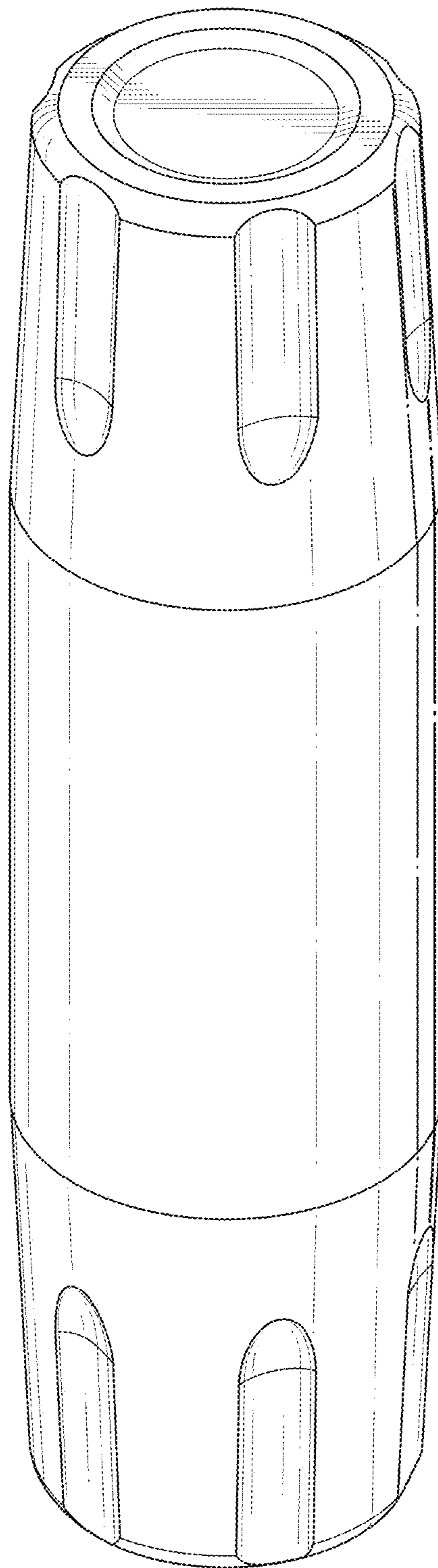


FIG. 1

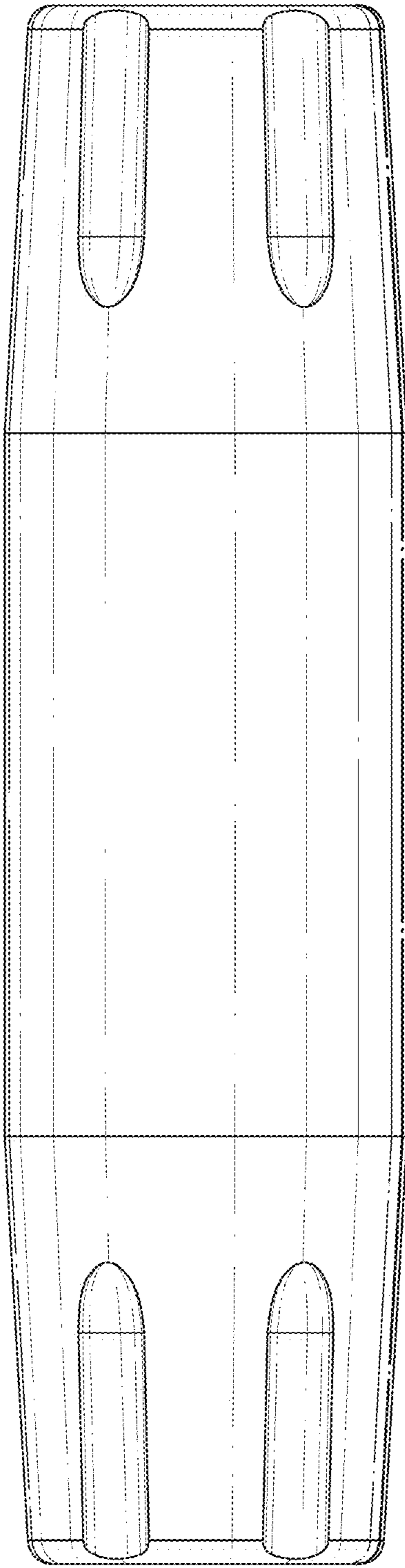


FIG. 2

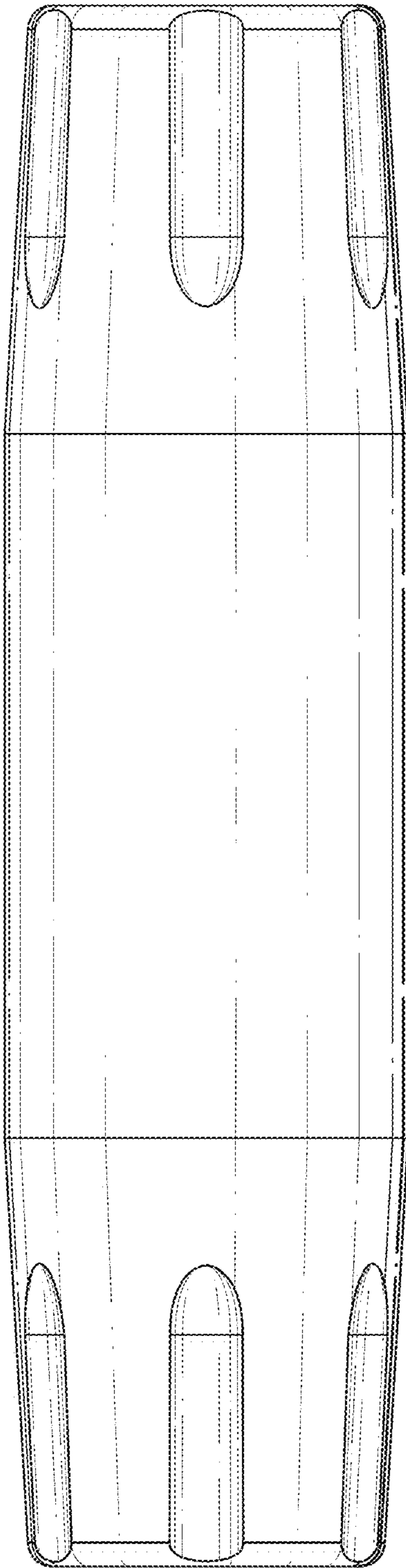


FIG. 3

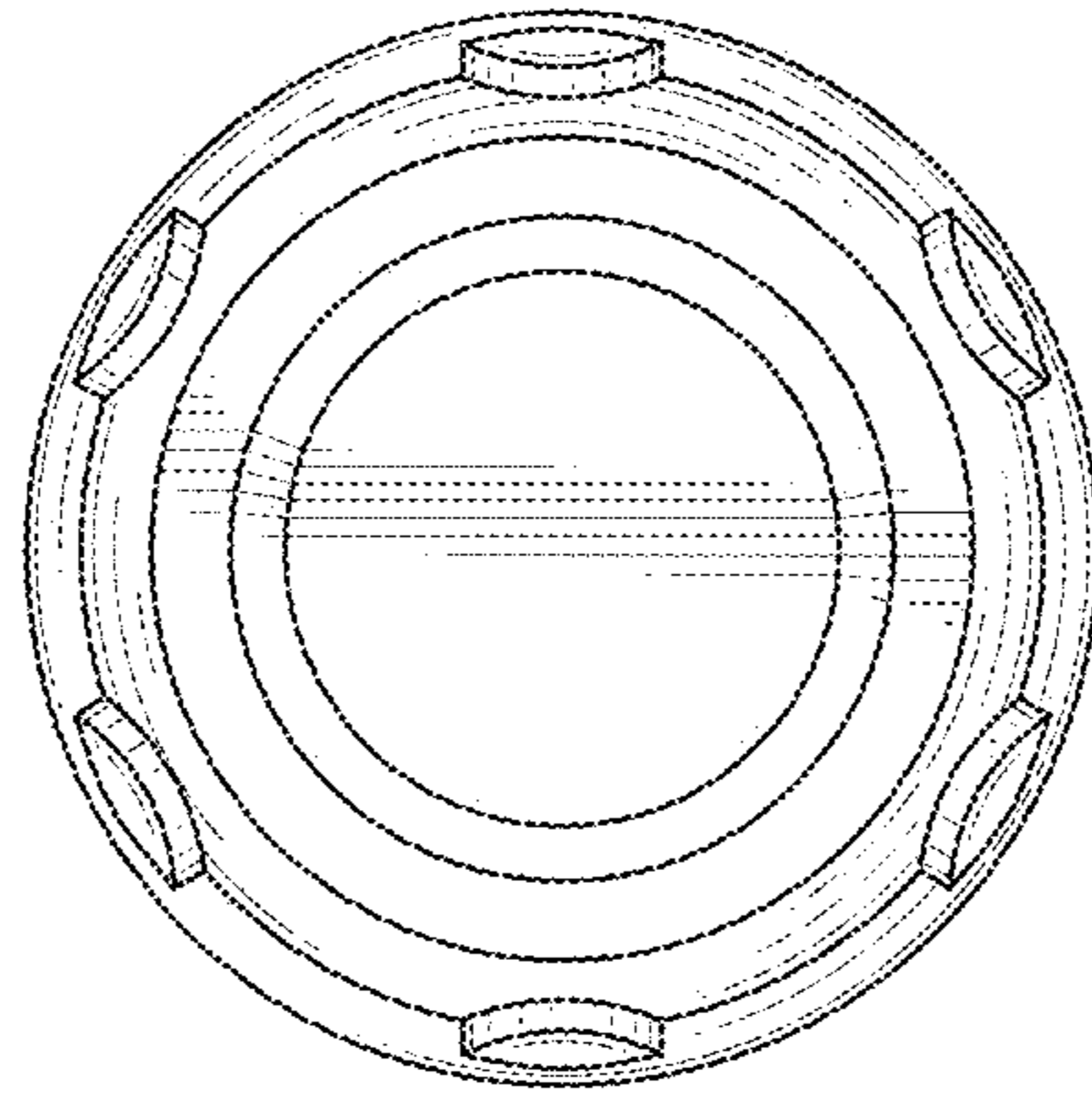


FIG. 4

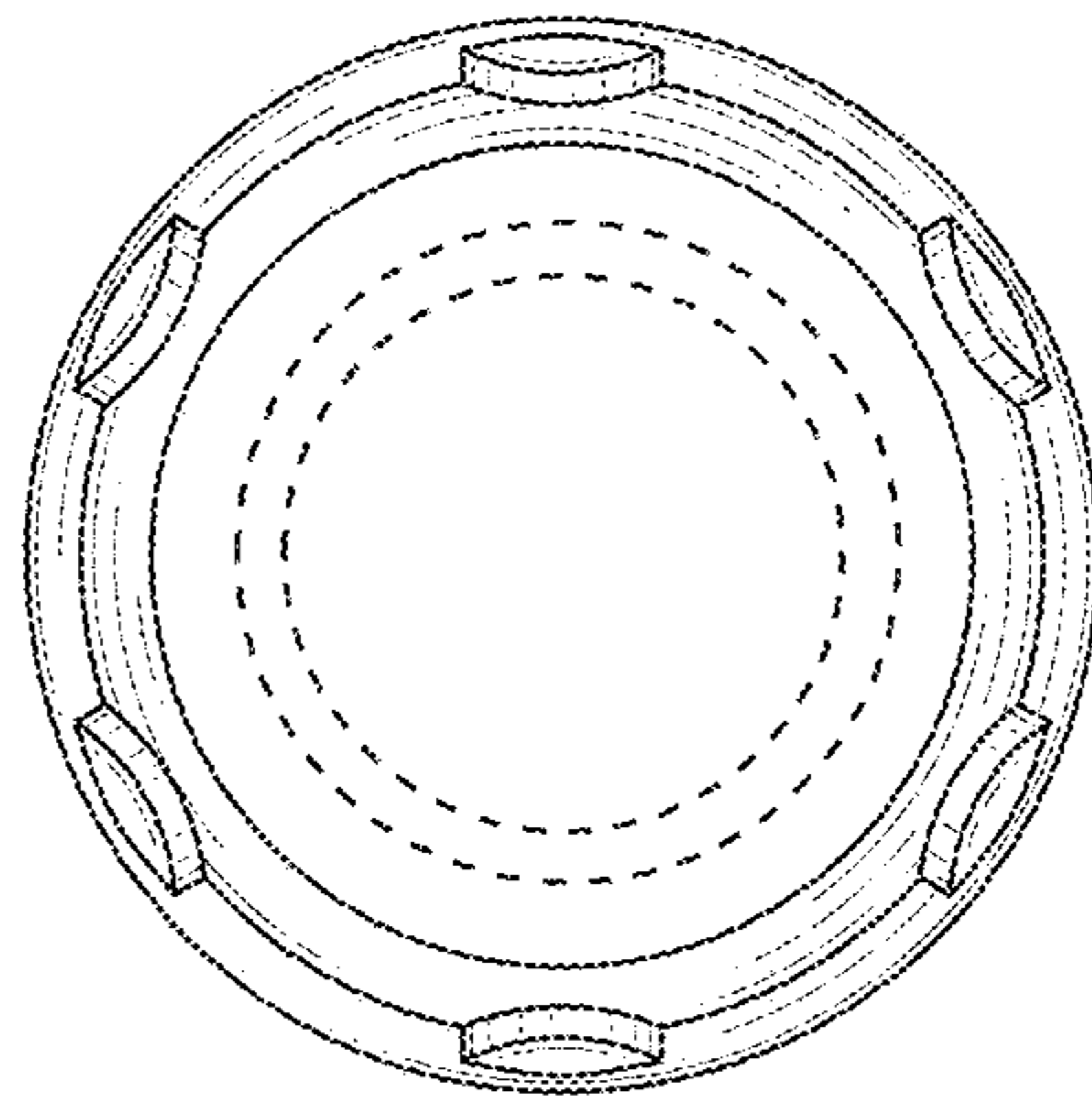


FIG. 5